



US00D819406S

(12) **United States Design Patent**
Rivera

(10) **Patent No.:** **US D819,406 S**

(45) **Date of Patent:** **** Jun. 5, 2018**

(54) **TRAVEL MUG**

(71) Applicant: **Adrian Rivera**, Whittier, CA (US)

(72) Inventor: **Adrian Rivera**, Whittier, CA (US)

(**) Term: **15 Years**

(21) Appl. No.: **29/584,914**

(22) Filed: **Nov. 18, 2016**

(51) **LOC (11) Cl.** **07-01**

(52) **U.S. Cl.**

USPC **D7/532; D7/510; D7/511**

(58) **Field of Classification Search**

USPC D7/509, 510, 511, 523, 532, 534, 536,
D7/300.1, 533, 394, 395; D24/197;
220/592.16, 592.17; D9/435, 447, 454;
D3/202

CPC A47G 19/22; A47G 19/2205; A47G
19/2211; A47G 19/2266; A47G 19/2288;
B65D 47/066; A47J 43/27; A47J 41/02

See application file for complete search history.

(56) **References Cited**

U.S. PATENT DOCUMENTS

4,052,037	A	*	10/1977	Mair	B65D 1/265 366/341
D439,473	S	*	3/2001	Lin	D7/510
D472,101	S	*	3/2003	Janky	D7/523
D475,891	S	*	6/2003	Bin	D7/510
D490,654	S	*	6/2004	Allen	D7/313
D507,458	S	*	7/2005	Allen	D7/523
D523,692	S	*	6/2006	Meehan	D7/507
D533,402	S	*	12/2006	Bin	D7/510
D569,183	S	*	5/2008	Blake	D7/509
D571,152	S	*	6/2008	Tien	D7/509
D577,958	S	*	10/2008	Homma	D7/509
D586,182	S	*	2/2009	Trombly	D7/509
D647,760	S	*	11/2011	Pearson	D7/510

D648,599	S	*	11/2011	Watanabe	D7/509
D696,586	S	*	12/2013	Huang	D7/511
D715,100	S	*	10/2014	Eyal	D7/510
D729,581	S	*	5/2015	Boroski	D7/510
D732,343	S	*	6/2015	Romley	D7/532
D791,543	S	*	7/2017	Mulhauser	D7/510
D797,510	S	*	9/2017	Ke	D7/510
D798,112	S	*	9/2017	Godsey	D7/510
D802,362	S	*	11/2017	Spivey	D7/396.2
D808,218	S	*	1/2018	Seiders	D7/510
2006/0213912	A1	*	9/2006	Zaytoun	A47G 19/2272 220/293
2015/0041478	A1	*	2/2015	Abrams	A47J 41/0022 220/592.17

* cited by examiner

Primary Examiner — Marianne Pandozzi

Assistant Examiner — Jae Liang

(74) *Attorney, Agent, or Firm* — Averill & Green;
Kenneth L. Green

(57) **CLAIM**

The ornamental design for a travel mug, as shown and described.

DESCRIPTION

FIG. 1 is a top front perspective view of a travel mug, showing my new design;

FIG. 2 is a top rear perspective view thereof;

FIG. 3 is a front view thereof;

FIG. 4 is a left side view thereof;

FIG. 5 is a rear view thereof;

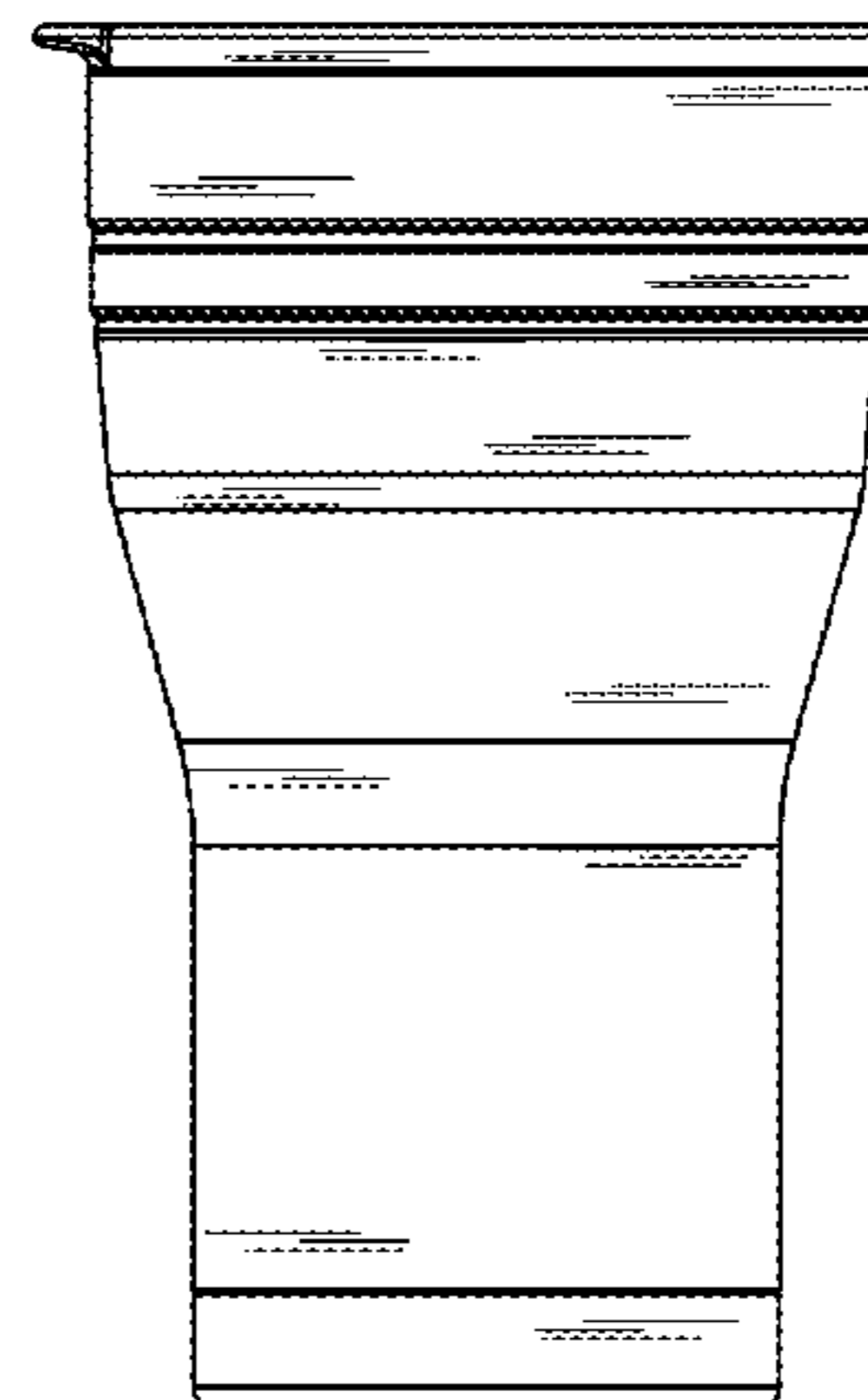
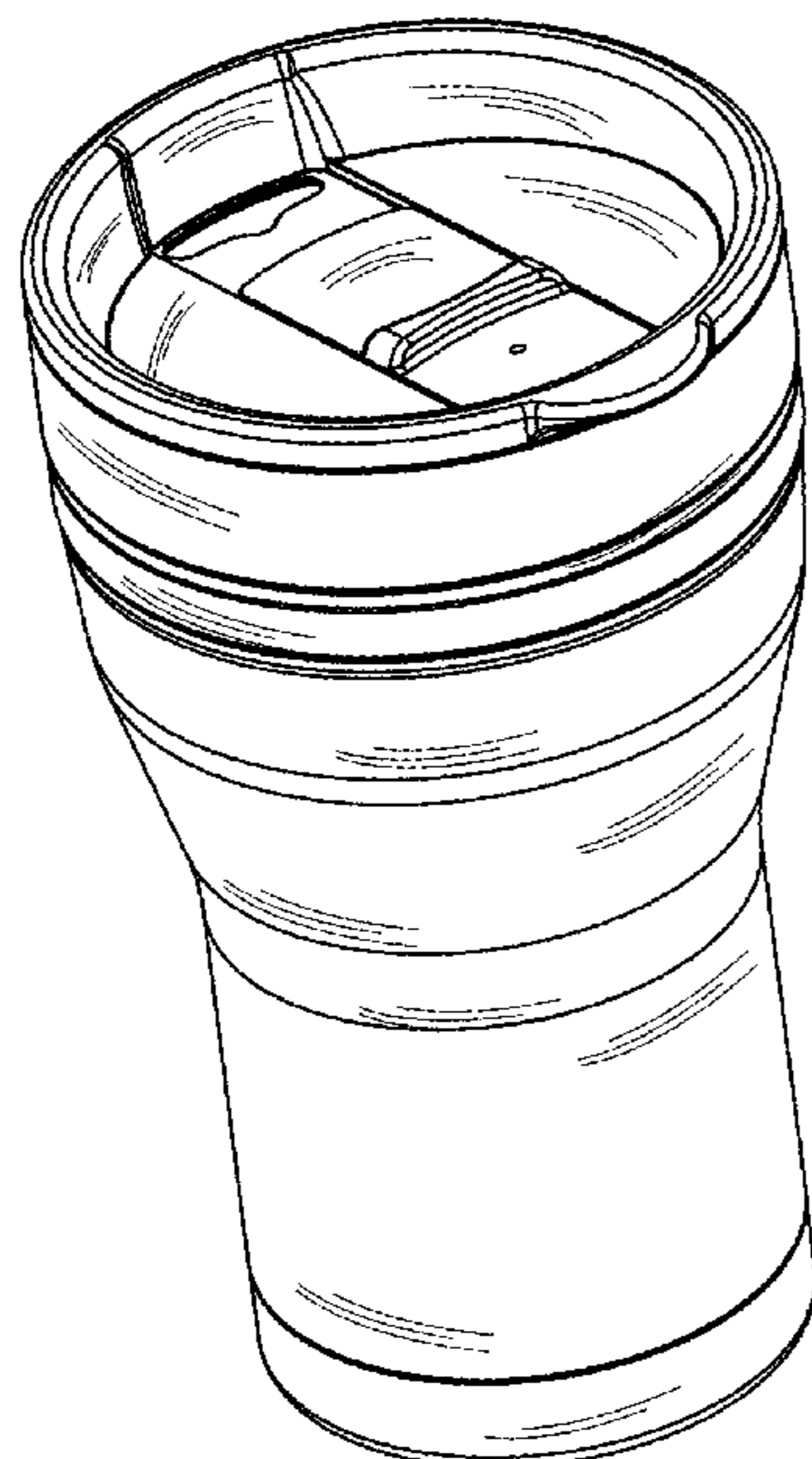
FIG. 6 is a top view thereof;

FIG. 7 is a bottom view thereof; and,

FIG. 8 is a perspective view thereof with the lid portion removed for ease of illustration.

The broken lines in the drawings depict portions of the travel mug that form no part of the claimed design.

1 Claim, 3 Drawing Sheets



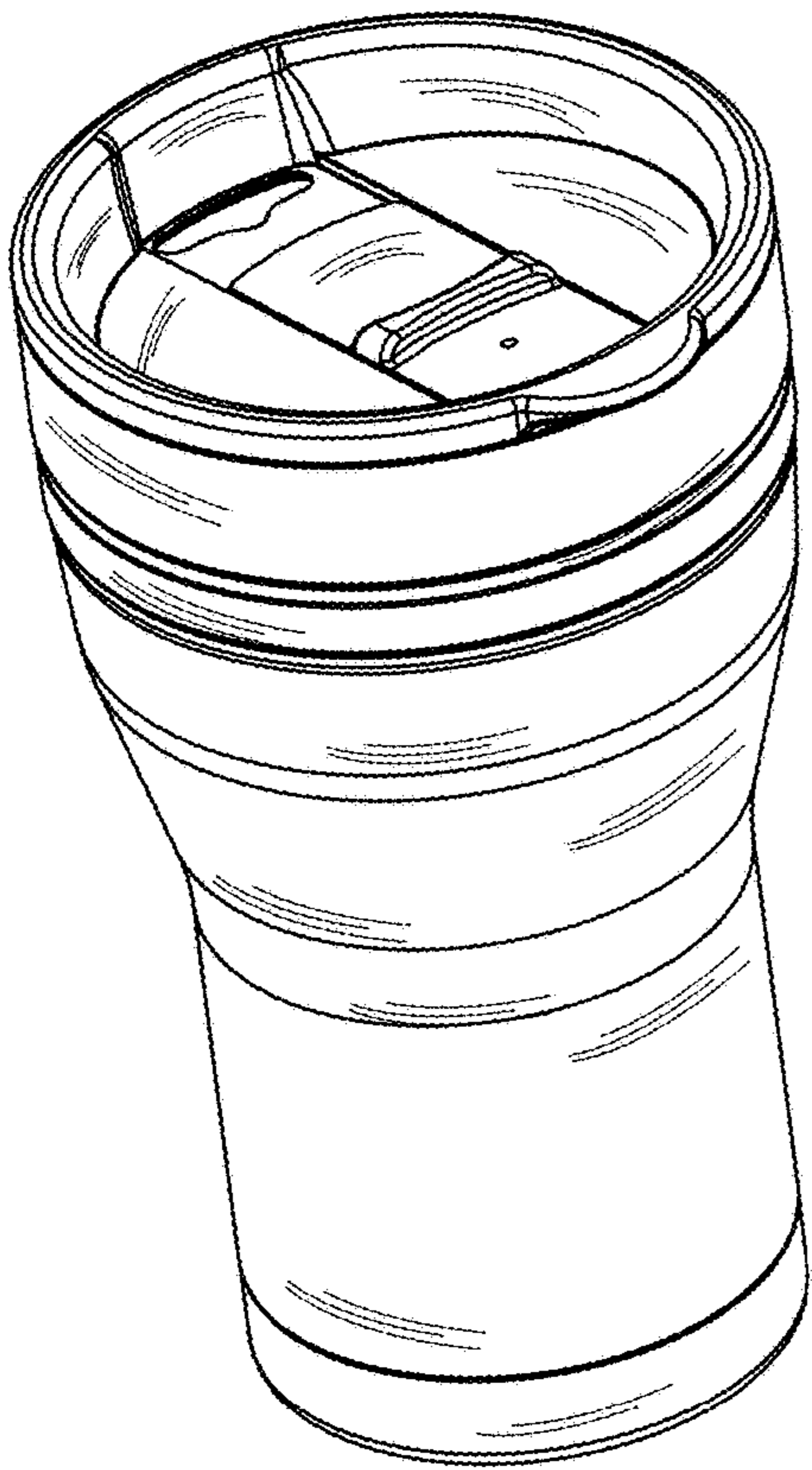


FIG. 1

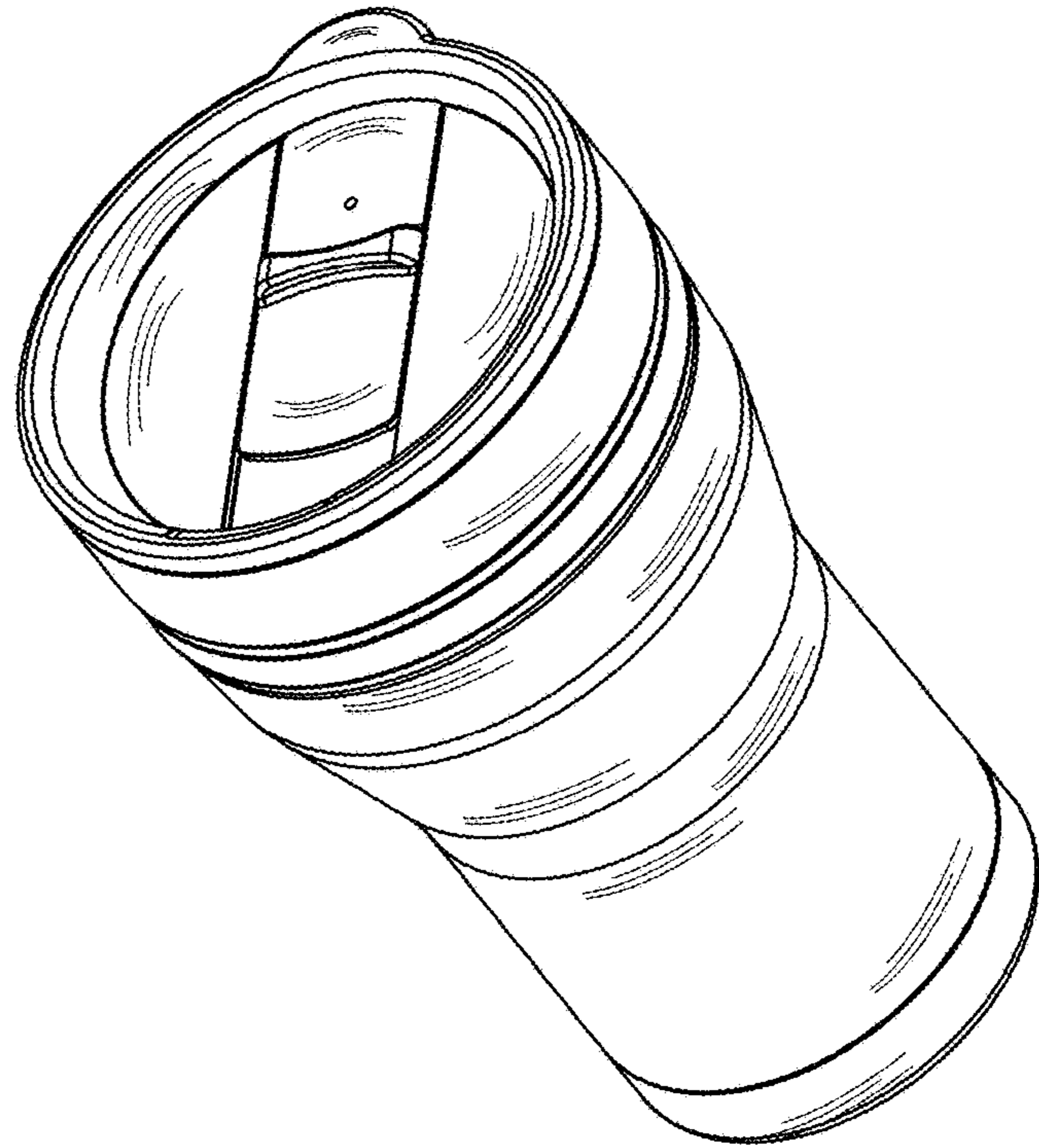


FIG. 2

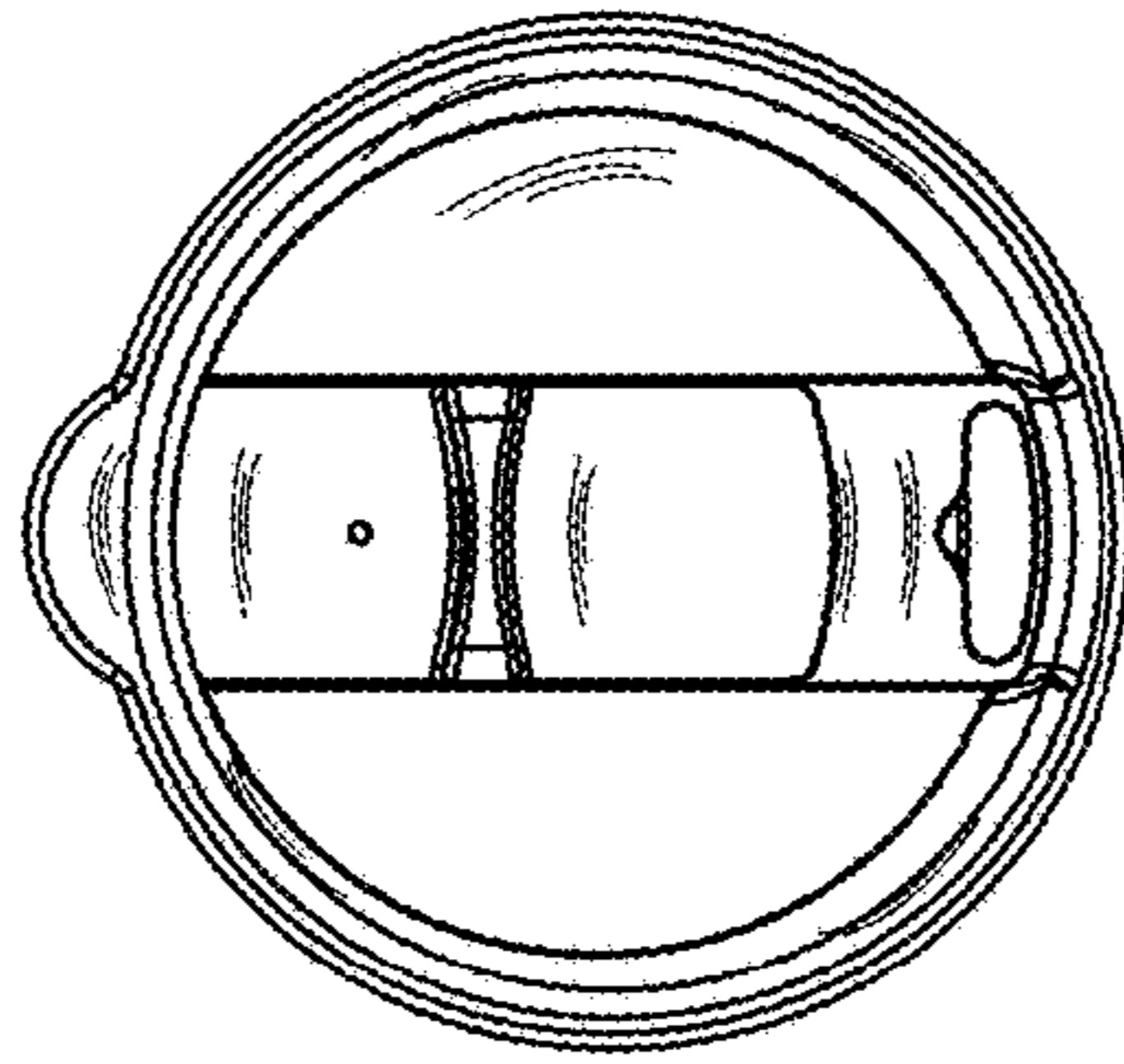


FIG. 6

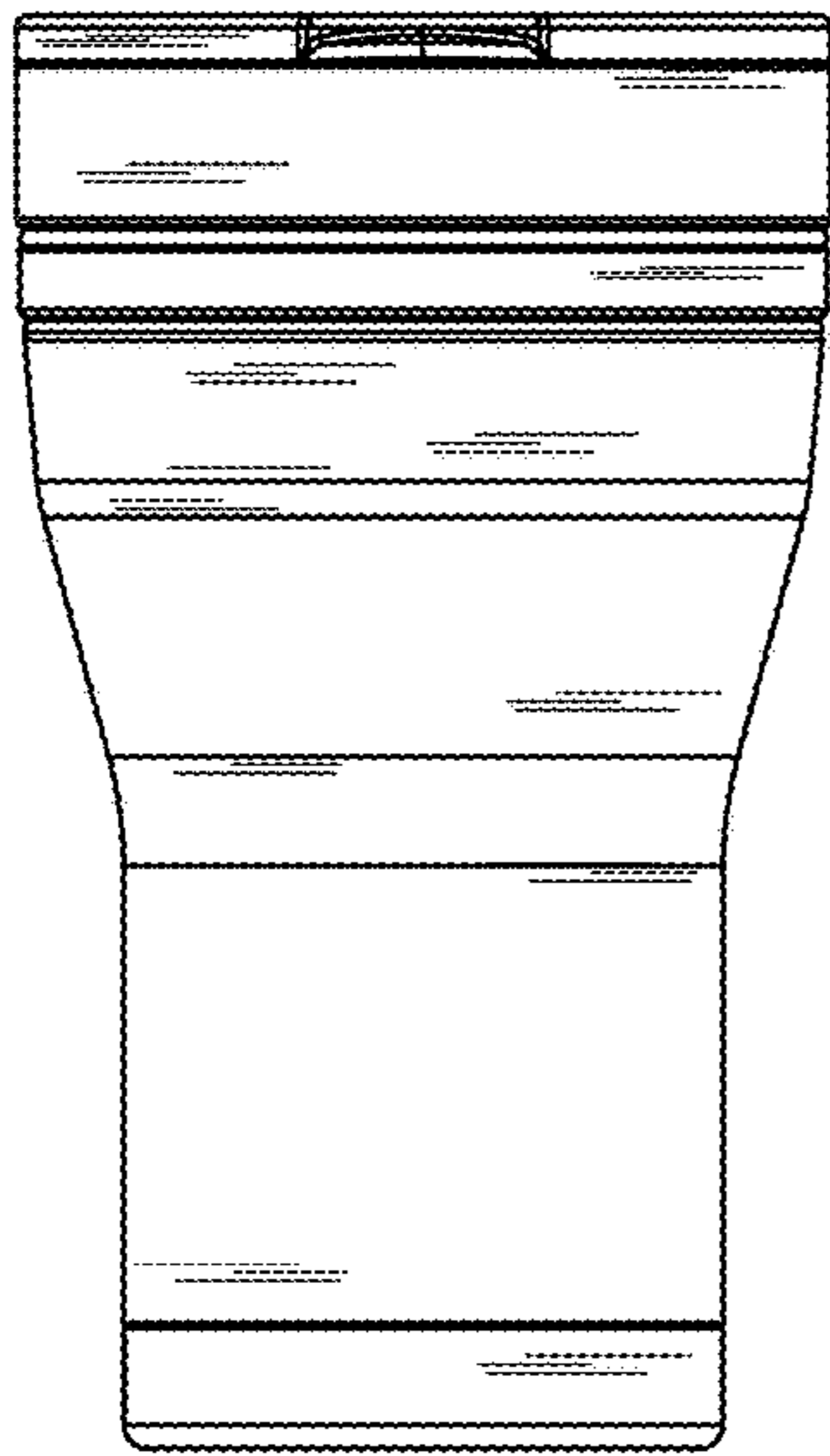


FIG. 3

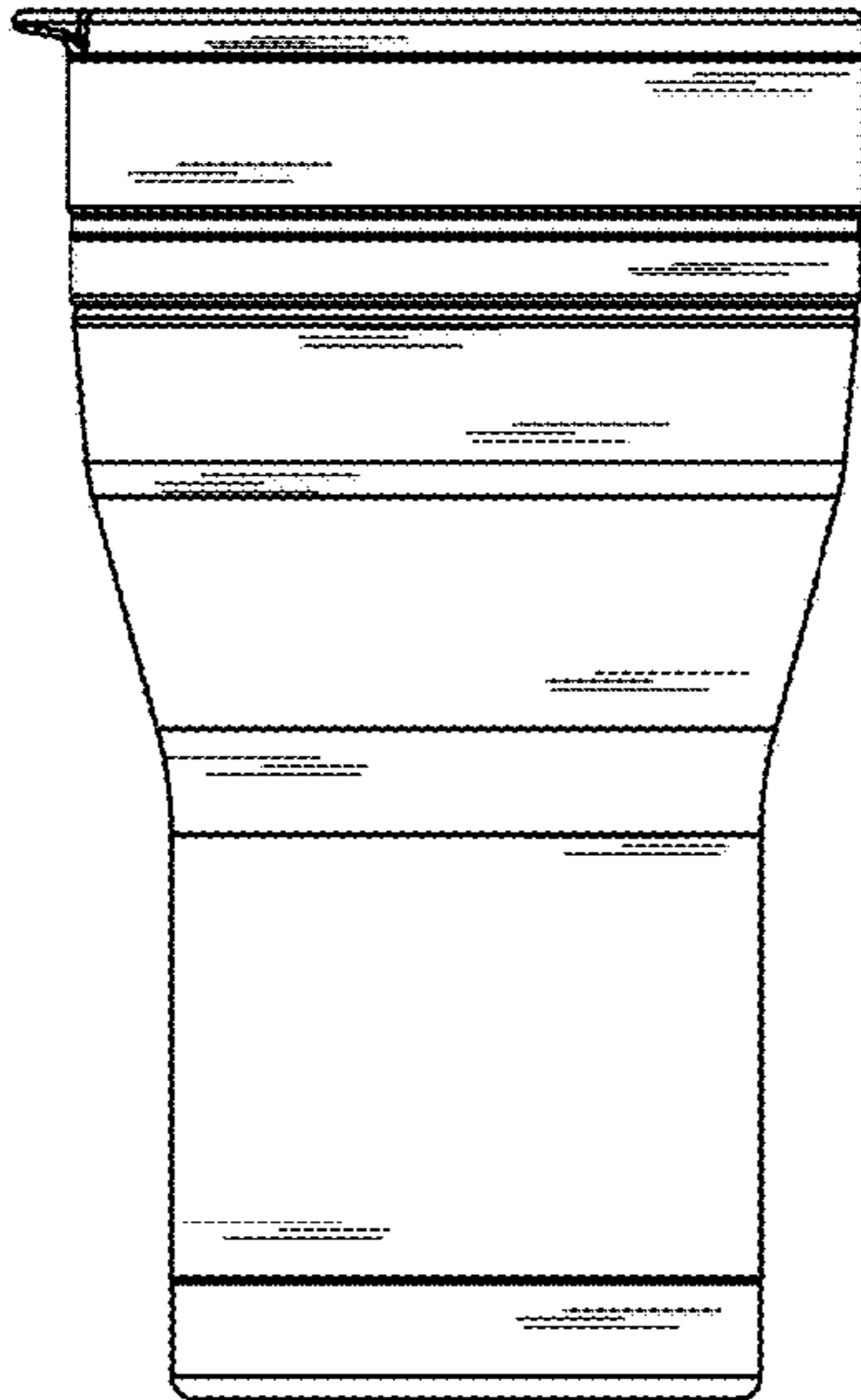


FIG. 4

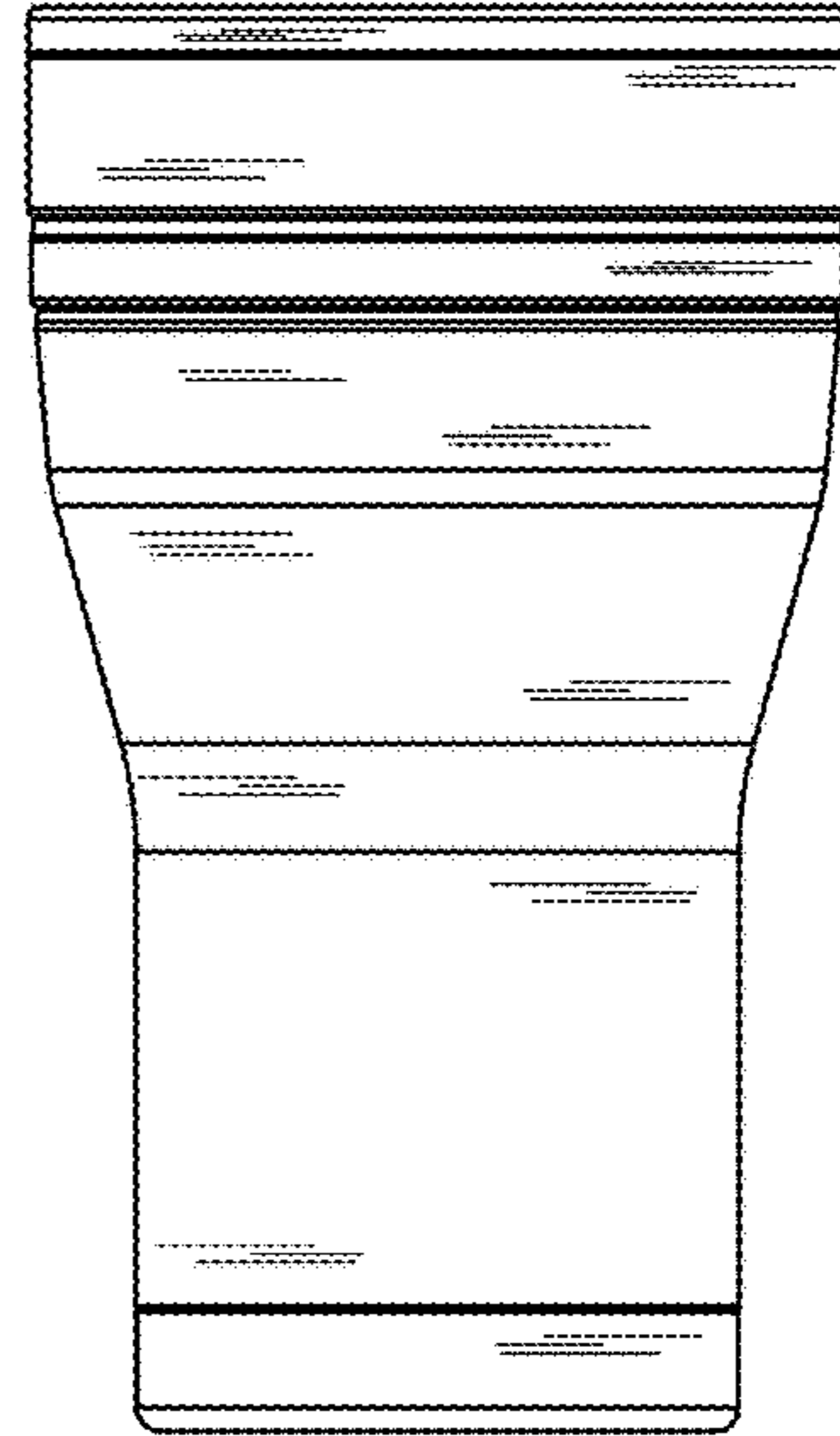


FIG. 5

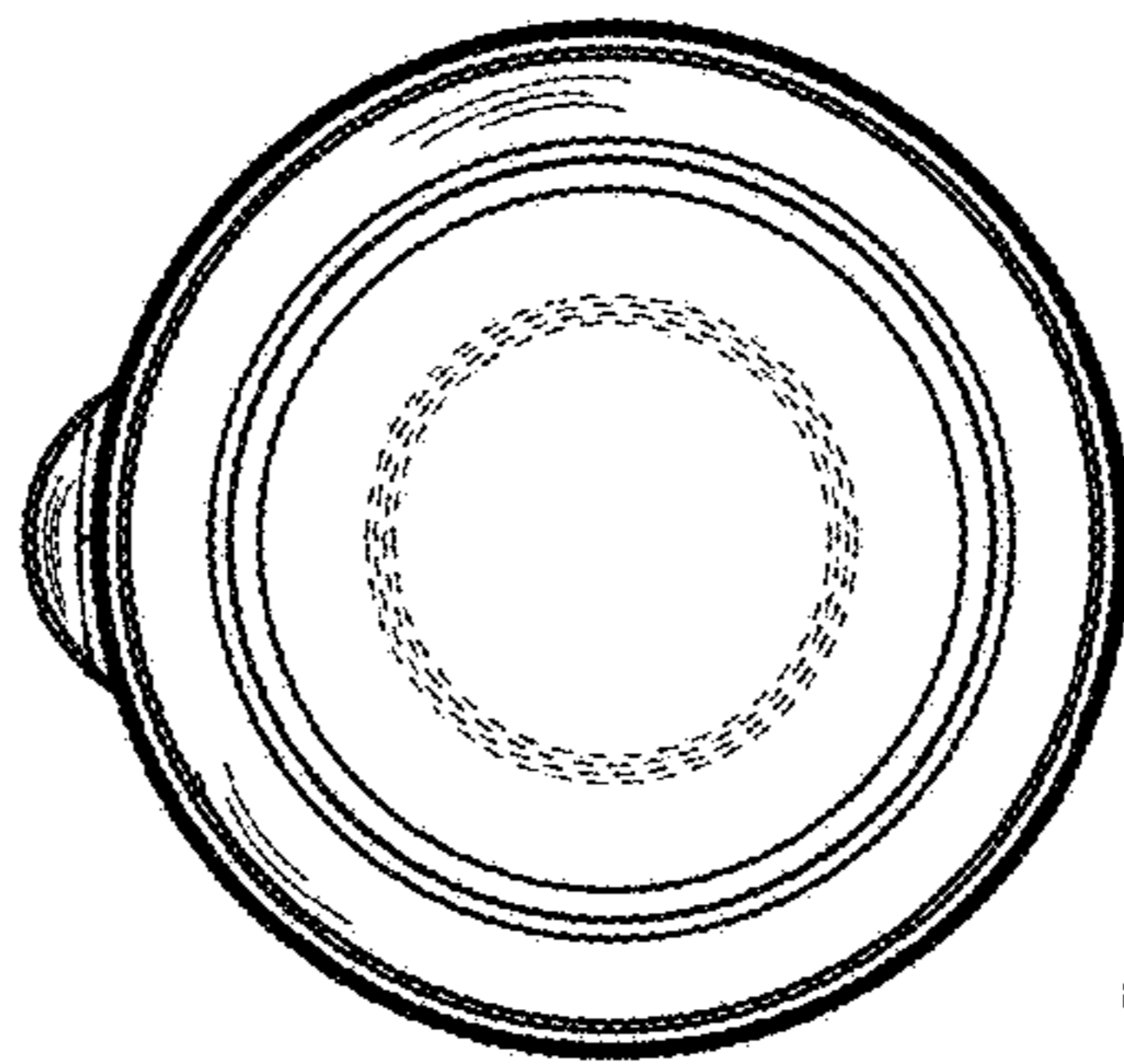


FIG. 7

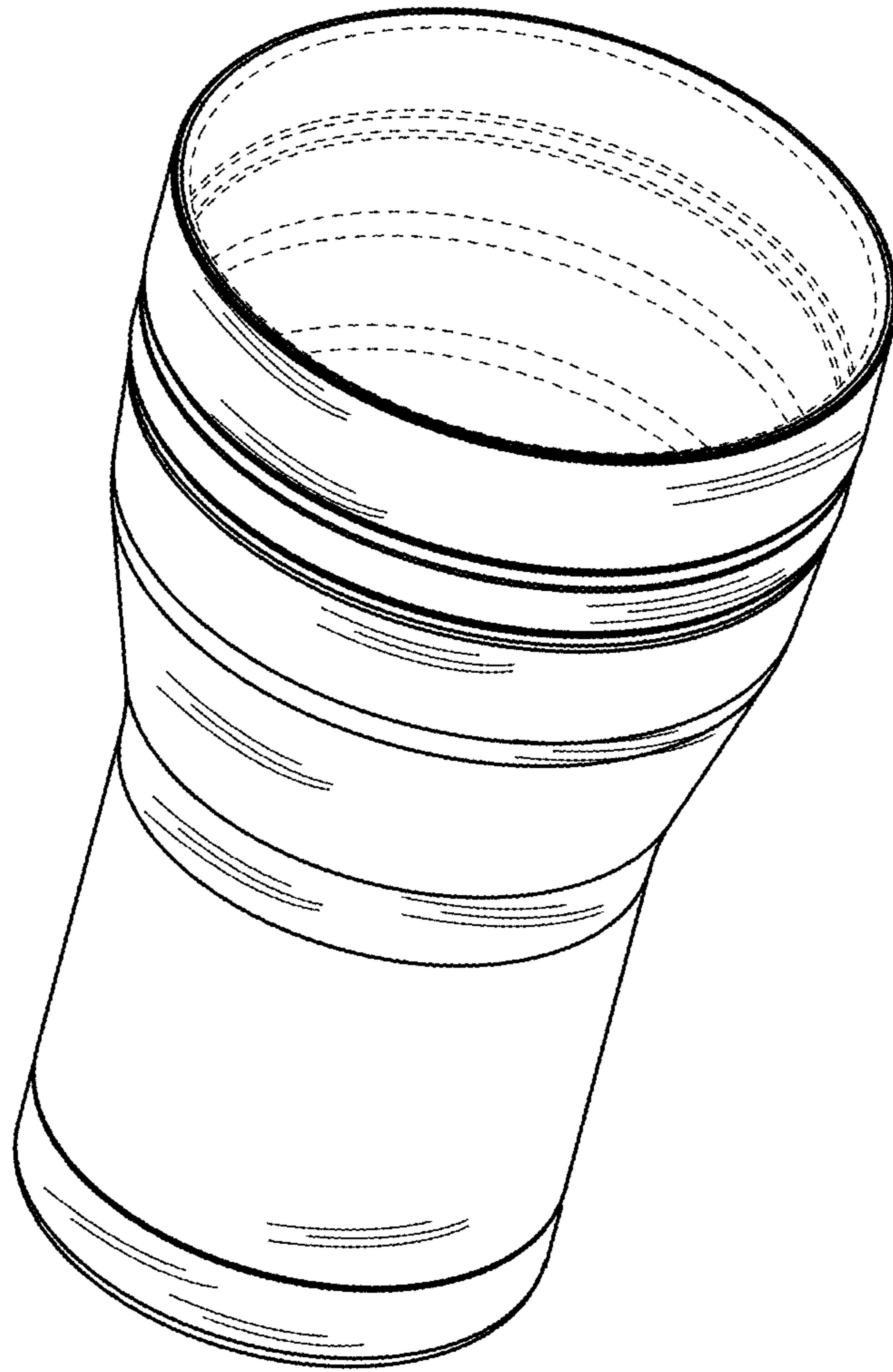


FIG. 8