



US00D819403S

(12) **United States Design Patent**
Li et al.

(10) **Patent No.:** **US D819,403 S**
(45) **Date of Patent:** **** Jun. 5, 2018**

- (54) **DRINKING BOTTLE**
- (71) Applicant: **FI Design Inc.**, Temple City, CA (US)
- (72) Inventors: **Yue Li**, Hong Kong (HK); **Chun Kit Ho**, Temple City, CA (US)
- (**) Term: **15 Years**
- (21) Appl. No.: **29/596,217**
- (22) Filed: **Mar. 6, 2017**
- (51) **LOC (11) Cl.** **07-01**
- (52) **U.S. Cl.**
USPC **D7/510; D7/511; D7/532; D7/536**
- (58) **Field of Classification Search**
USPC D7/505, 507, 509, 510, 511, 512, 523,
D7/532, 533, 536, 396.6, 387, 320, 321,
D7/300.2, 213, 608, 393, 624.1, 543, 591,
D7/593, 642, 654, 656, 653, 549, 544,
D7/553.6; D3/202; D24/197; D9/695,
D9/698, 522, 454, 439, 435, 434, 436,
D9/531, 517, 707, 708, 709, 528, 549,
D9/678, 636, 639, 640, 443, 772, 754,
D9/534; D23/266; 220/495.03, 705;
215/397, 396
CPC B65D 47/066; B65D 1/0223; B65D 33/00;
B65D 33/16; A47G 19/2272; A47G
19/2205; A47G 19/2266; A47J 41/02;
B29C 49/04
See application file for complete search history.

(56) **References Cited**

U.S. PATENT DOCUMENTS

- 2,830,721 A * 4/1958 Adakonis B65D 1/0215
215/12.2
- D576,044 S * 9/2008 Lamb D9/504
- D597,840 S * 8/2009 Biesecker D9/454
- D608,202 S * 1/2010 Caroen D9/500
- D611,817 S * 3/2010 Simmons D9/449

- D655,571 S * 3/2012 Tuttle D7/510
- D695,616 S * 12/2013 Li D9/503
- D696,130 S * 12/2013 Zabari D9/449
- D699,516 S * 2/2014 Kim D7/510
- D723,333 S * 3/2015 Lin D7/511
- D778,675 S * 2/2017 Shi D7/507
- D779,881 S * 2/2017 Lee D7/510
- D784,765 S * 4/2017 Yao D7/510
- D784,768 S * 4/2017 Lee D7/511
- D786,018 S * 5/2017 Willows D7/509
- D791,549 S * 7/2017 Goodwin D7/608
- D795,012 S * 8/2017 Rummel D7/510
- D796,901 S * 9/2017 Pisarevsky D7/510
- D800,509 S * 10/2017 Rummel D7/622
- D804,906 S * 12/2017 Diener D7/510
- 2013/0153591 A1 * 6/2013 Grimes A01K 91/02
220/735
- 2016/0270602 A1 * 9/2016 Casey A47J 43/27

* cited by examiner

Primary Examiner — Marianne Pandozzi
Assistant Examiner — Jae Liang
(74) *Attorney, Agent, or Firm* — Novoclaims Patent
Services LLC; Mei Lin Wong

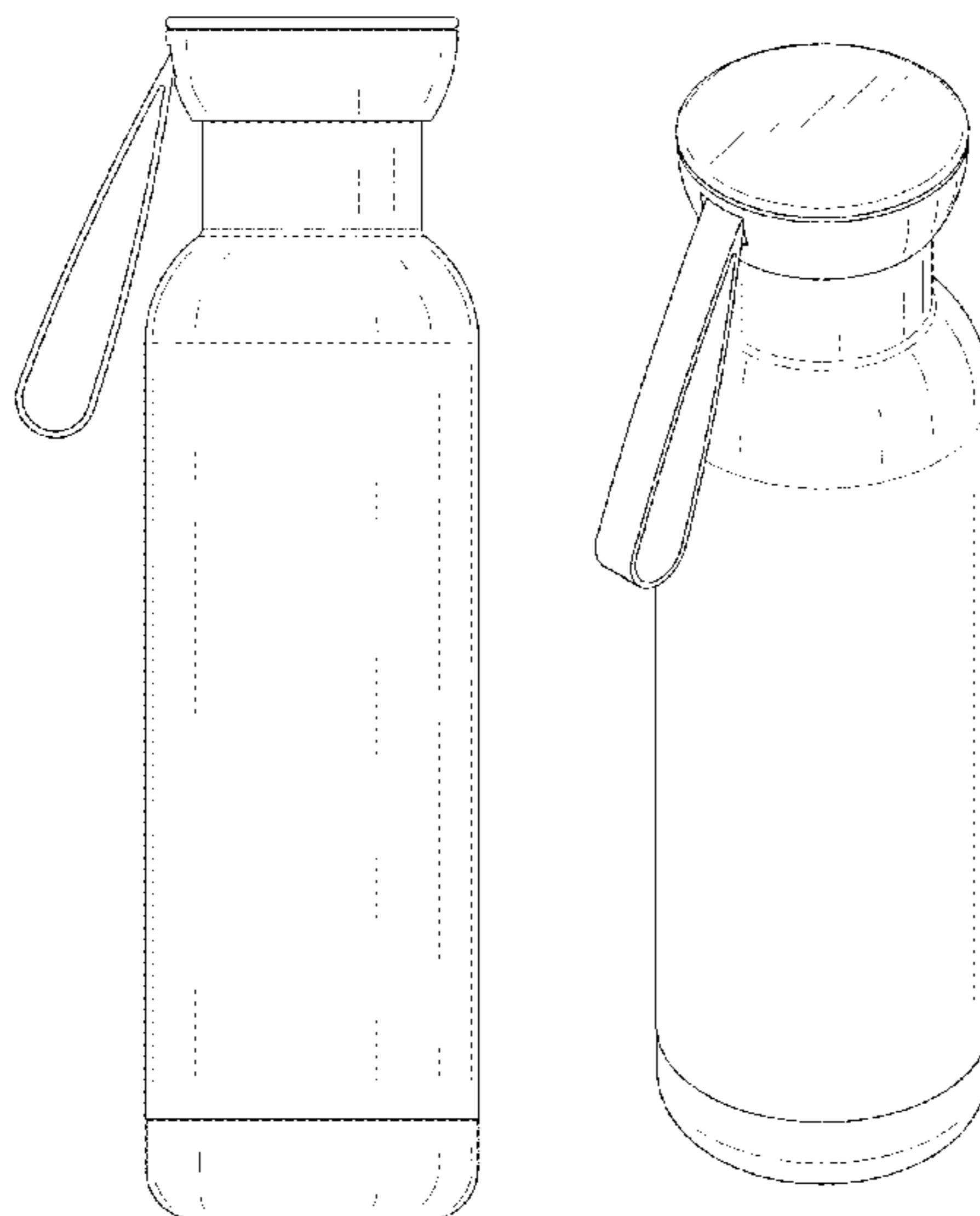
(57) **CLAIM**

The ornamental design for a drinking bottle, as shown and described.

DESCRIPTION

FIG. 1 is a front elevational of a drinking bottle showing my new design;
FIG. 2 is a rear elevational view thereof;
FIG. 3 is a right side view thereof;
FIG. 4 is a left side view thereof;
FIG. 5 is a top plan view thereof;
FIG. 6 is a bottom plan view thereof;
FIG. 7 is a perspective view thereof;
FIG. 8 is a second perspective view thereof; and,
FIG. 9 is an exploded perspective view thereof.

1 Claim, 9 Drawing Sheets



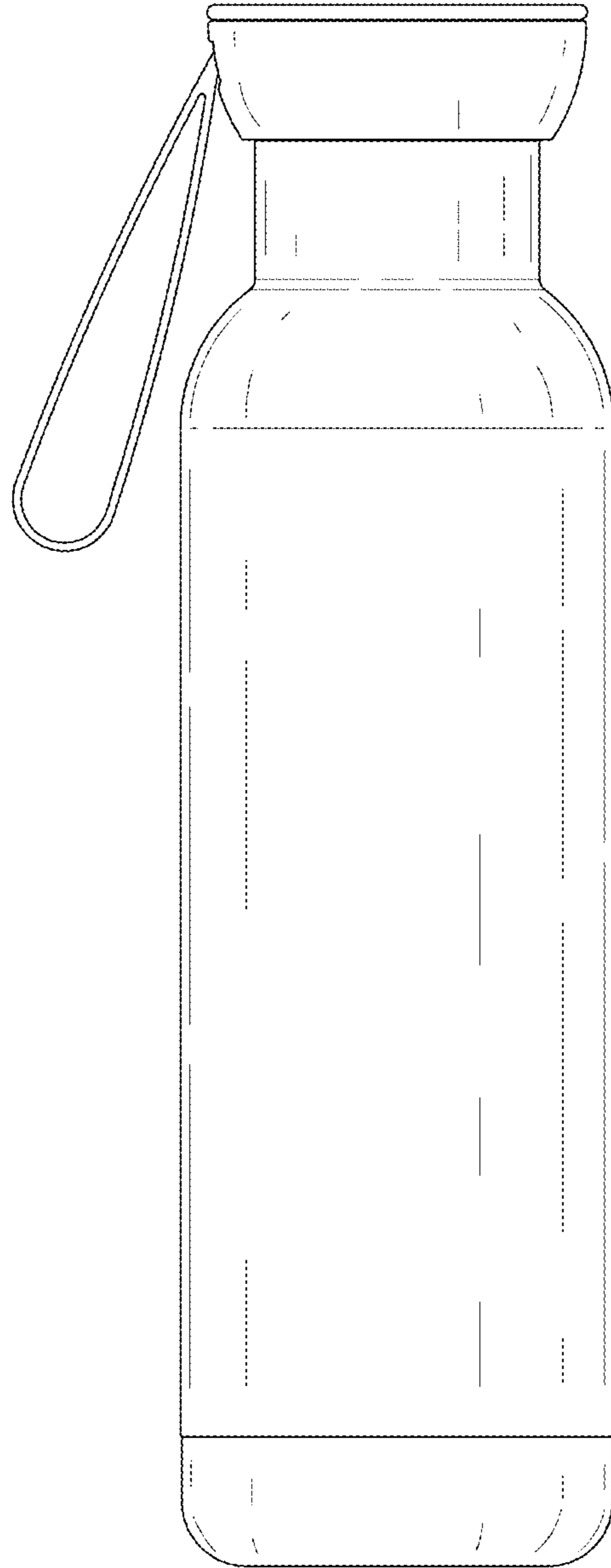


FIG. 1

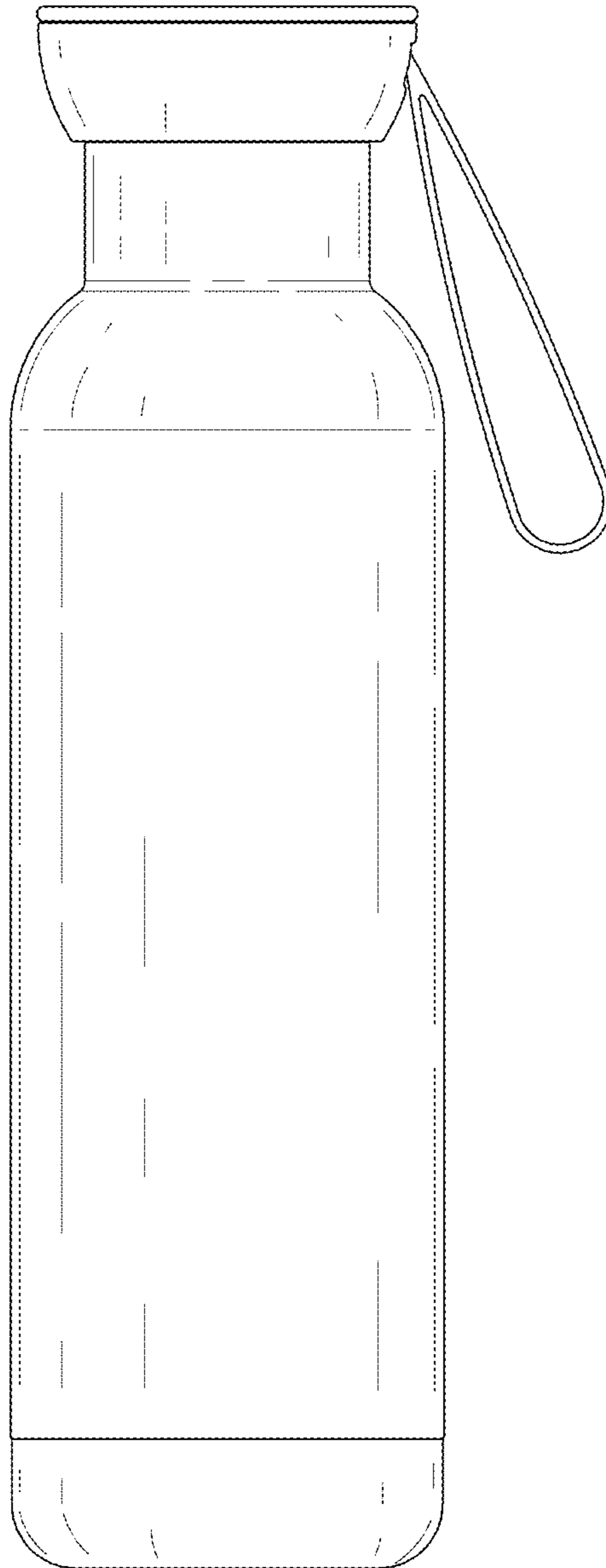


FIG. 2

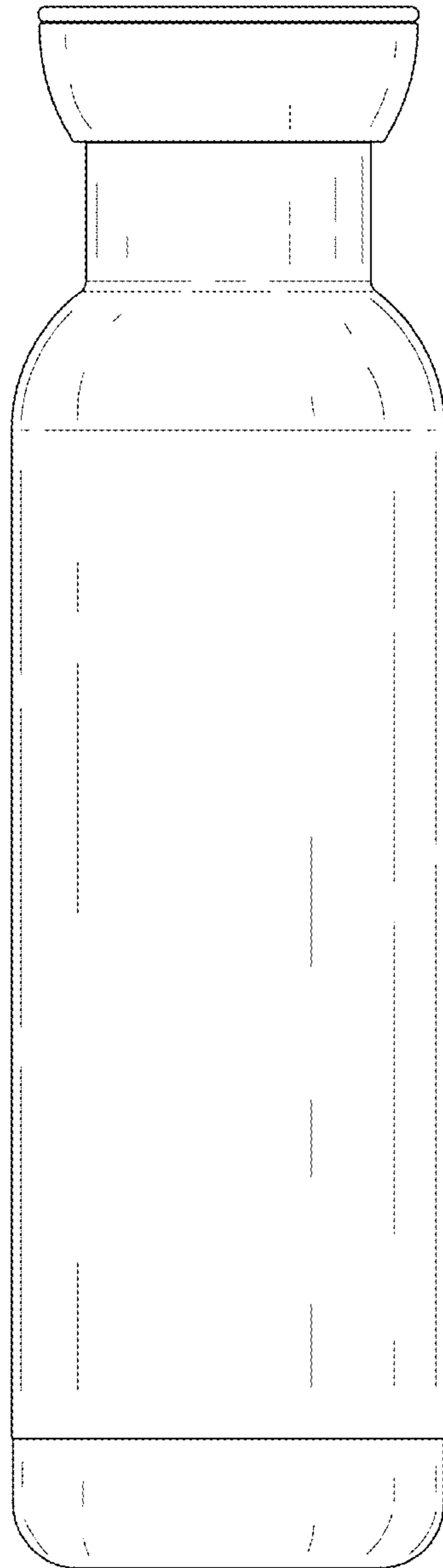


FIG. 3

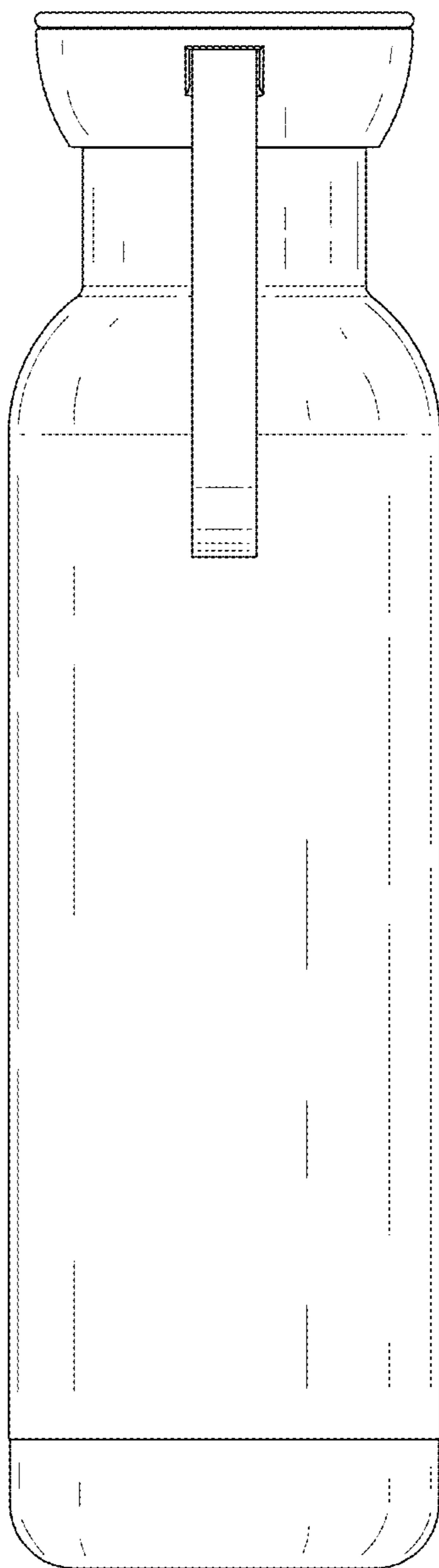


FIG. 4

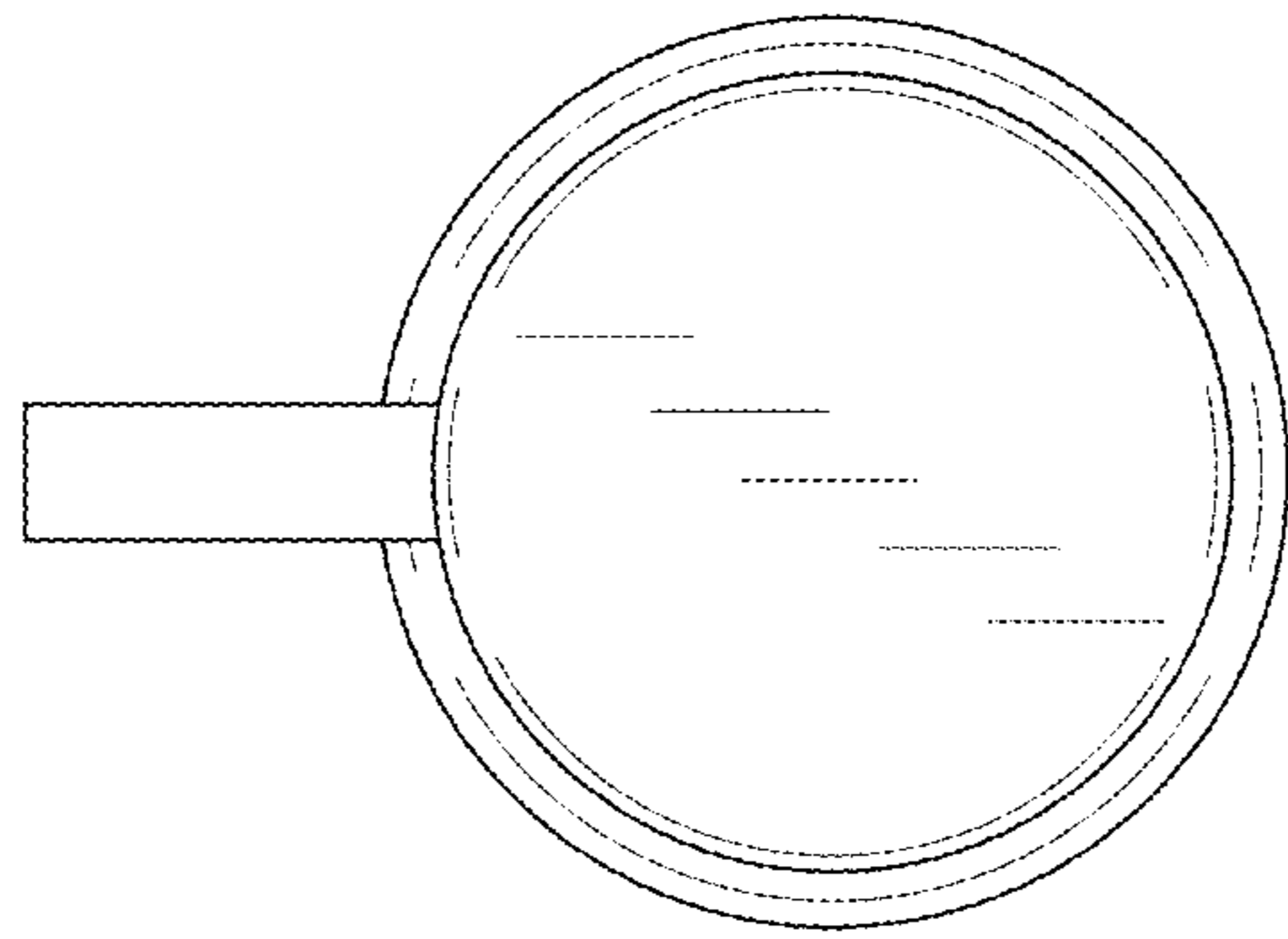


FIG. 5

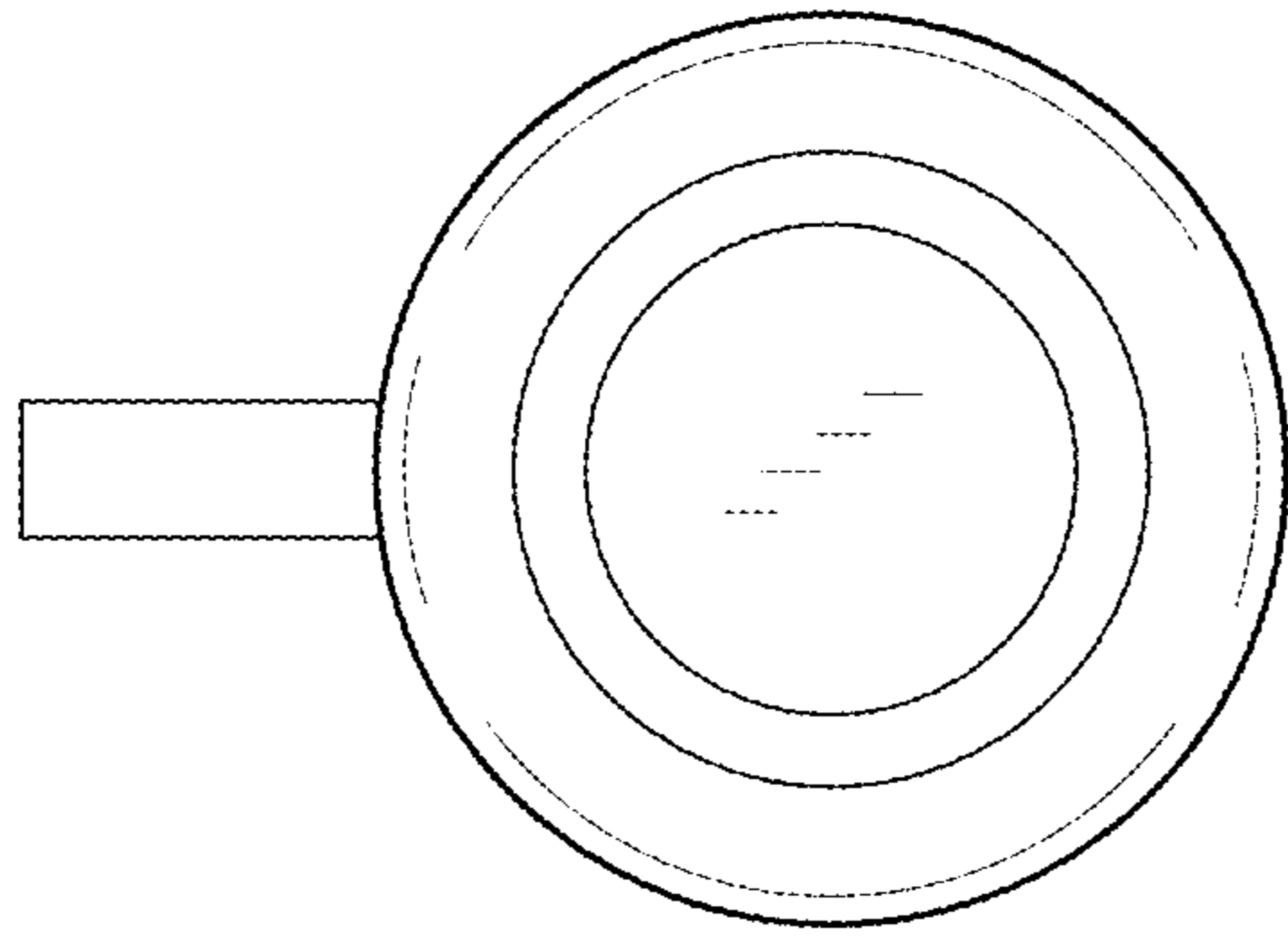


FIG. 6

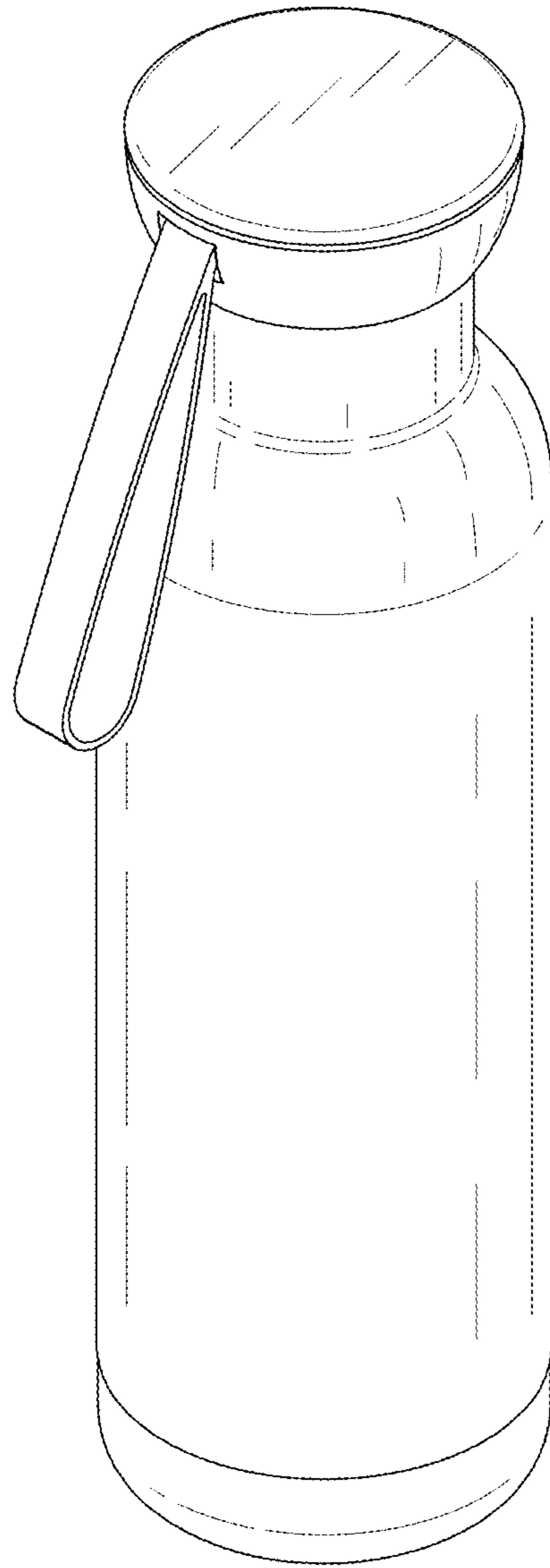


FIG. 7

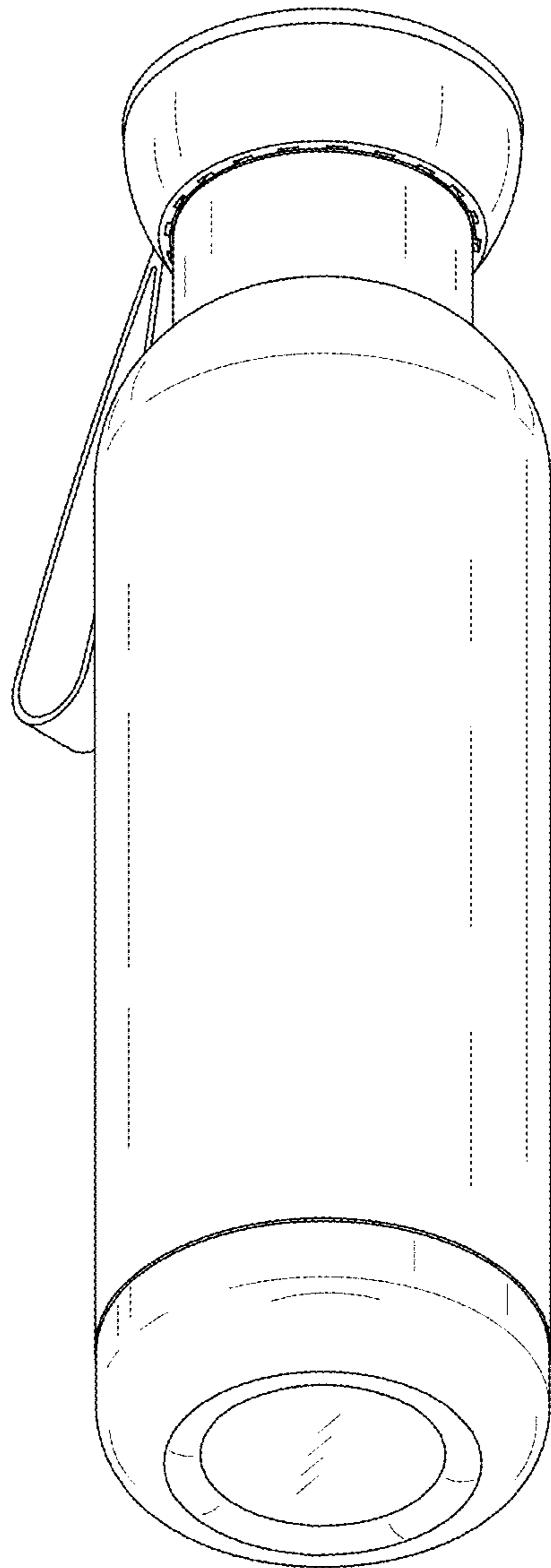


FIG. 8



FIG.9