



US00D819401S

(12) **United States Design Patent** (10) **Patent No.:** **US D819,401 S**  
**Parker et al.** (45) **Date of Patent:** **\*\* Jun. 5, 2018**

(54) **TRANSITION CUP**

(71) Applicant: **Jackel International Limited**,  
Northumberland (GB)  
(72) Inventors: **Richard Parker**, Newcastle Upon Tyne  
(GB); **Peter Angus**, Newcastle Upon  
Tyne (GB); **Matthew O'Brien**,  
Newcastle Upon Tyne (GB); **James**  
**Roe**, Glossop (GB); **Jason Roebuck**,  
Glossop (GB)  
(73) Assignee: **Jackel International Limited**,  
Cramlington, Northumberland (GB)

(\*\*) Term: **15 Years**

(21) Appl. No.: **29/570,775**

(22) Filed: **Jul. 12, 2016**

**Related U.S. Application Data**

(62) Division of application No. 29/516,578, filed on Feb.  
4, 2015, now Pat. No. Des. 763,624.

(30) **Foreign Application Priority Data**

Aug. 4, 2014 (EM) ..... 001419139-0004  
Aug. 4, 2014 (EM) ..... 001419139-0005

(51) **LOC (11) Cl.** ..... **07-01**

(52) **U.S. Cl.**  
USPC ..... **D7/510; D7/511; D7/532**

(58) **Field of Classification Search**  
USPC ..... D7/509-516, 523, 533, 534, 535, 326,  
D7/543, 548, 300, 312, 314, 316, 318,  
D7/319, 320, 598, 589, 396.2, 507;  
215/229; D24/197, 198, 199; 220/703,  
220/714, 710, 710.5, 212.5  
CPC ..... A47G 19/22; A47G 19/2266; A47G  
19/2272; A61J 9/00; A61J 9/06; A61J  
9/08; A61J 9/085

See application file for complete search history.

(56) **References Cited**

U.S. PATENT DOCUMENTS

|              |         |            |                |
|--------------|---------|------------|----------------|
| D354,416 S   | 1/1995  | Cautereels |                |
| D368,529 S   | 4/1996  | Allegre    |                |
| D385,748 S   | 11/1997 | Iodice     |                |
| 5,706,973 A  | 1/1998  | Robbins    |                |
| D421,878 S   | 3/2000  | Roehrig    |                |
| D446,685 S   | 8/2001  | Atkin      |                |
| D454,642 S   | 3/2002  | Hakim      |                |
| D460,322 S   | 7/2002  | Orr        |                |
| D476,849 S * | 7/2003  | Randolph   | ..... D7/510   |
| D500,226 S   | 12/2004 | Randolph   |                |
| D504,049 S   | 4/2005  | Morano     |                |
| D515,867 S * | 2/2006  | Randolph   | ..... D7/392.1 |
| D520,809 S * | 5/2006  | Randolph   | ..... D7/392.1 |
| 7,562,789 B2 | 7/2009  | Randolph   |                |

(Continued)

*Primary Examiner* — Marianne Pandozzi

*Assistant Examiner* — Jae Liang

(74) *Attorney, Agent, or Firm* — Olson & Cepuritis, Ltd.

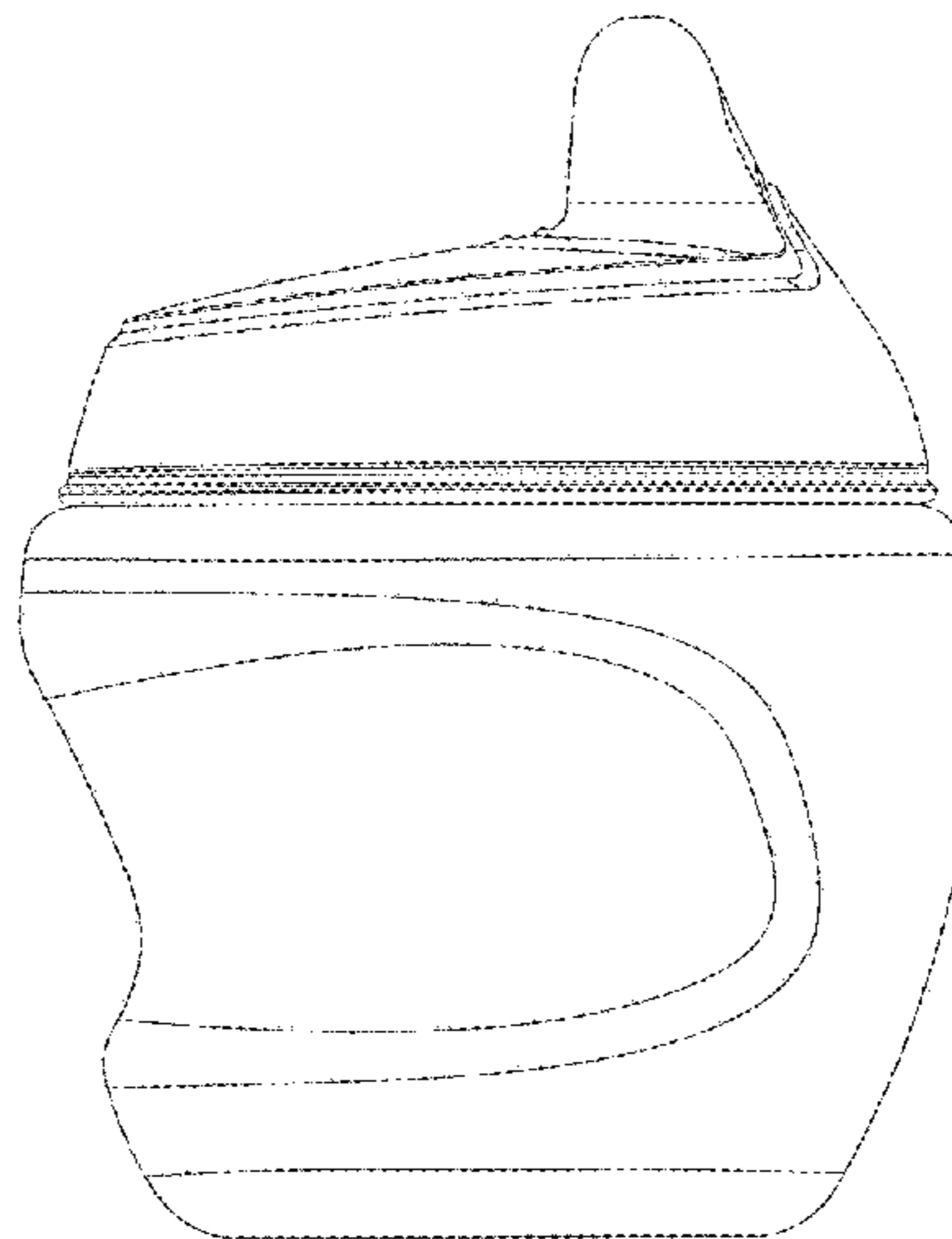
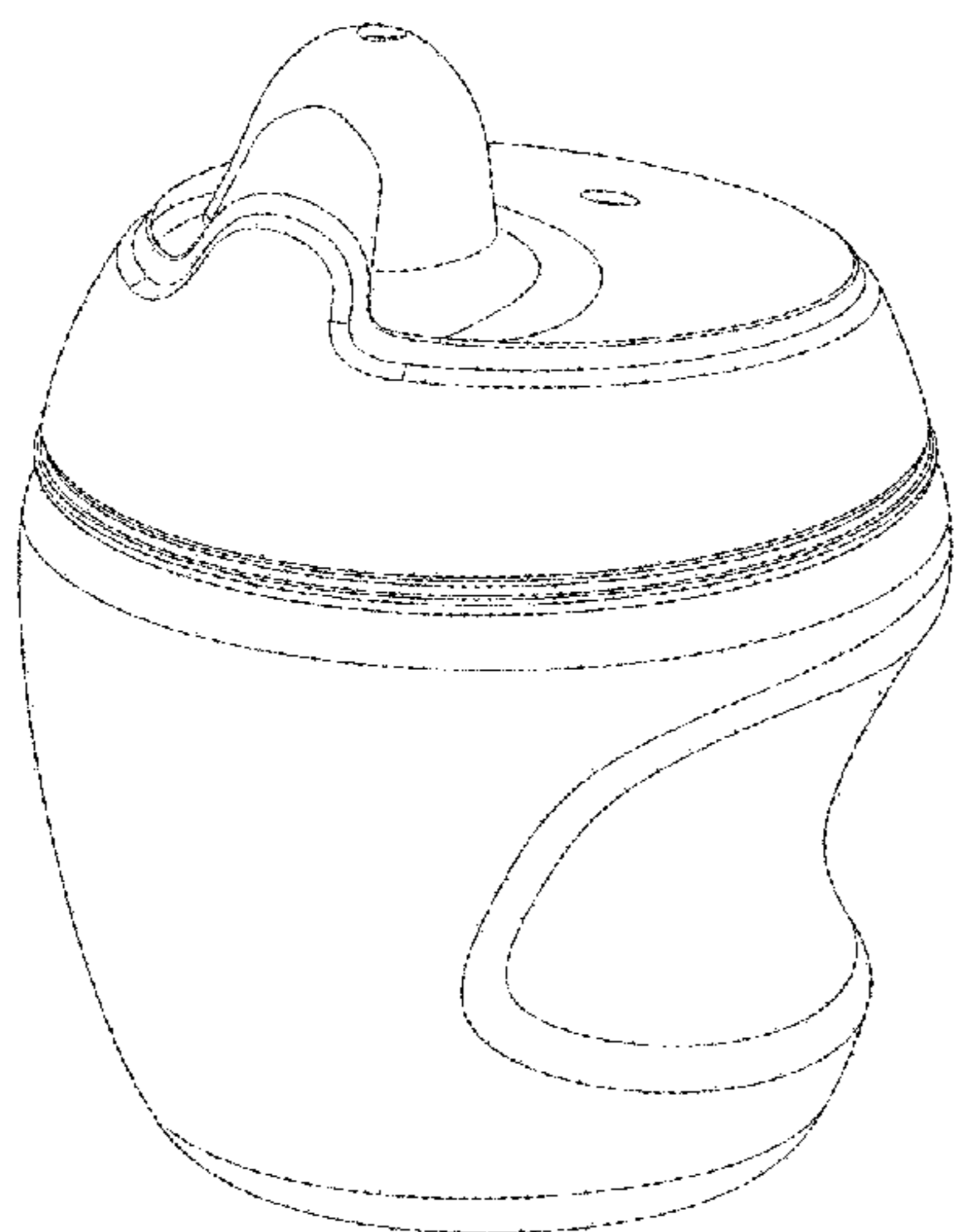
(57) **CLAIM**

The ornamental design for a transition cup, as shown and described.

**DESCRIPTION**

FIG. 1 is a front perspective view of a transition cup showing our new design;  
FIG. 2 is a rear perspective view thereof;  
FIG. 3 is a front elevational view thereof;  
FIG. 4 is a rear elevational view thereof;  
FIG. 5 is a right side elevational view thereof, the left side elevational view being a mirror image thereof;  
FIG. 6 is a top plan view thereof; and,  
FIG. 7 is a bottom plan view thereof.  
The broken lines in the drawings depict portions of the transition cup that form no part of the claimed design.

**1 Claim, 7 Drawing Sheets**



(56)

**References Cited**

U.S. PATENT DOCUMENTS

|              |    |   |         |           |       |         |
|--------------|----|---|---------|-----------|-------|---------|
| D642,435     | S  | * | 8/2011  | Schofield | ..... | D24/197 |
| D642,865     | S  | * | 8/2011  | Schofield | ..... | D24/197 |
| D642,866     | S  | * | 8/2011  | Schofield | ..... | D24/197 |
| 8,256,641    | B2 |   | 9/2012  | Randolph  |       |         |
| D679,948     | S  | * | 4/2013  | Meyer     | ..... | D24/197 |
| D683,185     | S  | * | 5/2013  | Thomas    | ..... | D7/510  |
| D684,426     | S  | * | 6/2013  | Bottomley | ..... | D7/510  |
| D718,089     | S  | * | 11/2014 | Rees      | ..... | D7/509  |
| D730,697     | S  | * | 6/2015  | Johnson   | ..... | D7/510  |
| D734,095     | S  | * | 7/2015  | Thomas    | ..... | D24/197 |
| D755,569     | S  | * | 5/2016  | Parker    | ..... | D7/510  |
| D755,572     | S  | * | 5/2016  | Parker    | ..... | D7/510  |
| D757,495     | S  | * | 5/2016  | Parker    | ..... | D7/507  |
| D762,419     | S  | * | 8/2016  | Parker    | ..... | D7/510  |
| D763,624     | S  | * | 8/2016  | Parker    | ..... | D7/510  |
| D764,235     | S  | * | 8/2016  | Parker    | ..... | D7/510  |
| D786,618     | S  | * | 5/2017  | Parker    | ..... | D7/507  |
| D793,167     | S  | * | 8/2017  | Schlegel  | ..... | D7/510  |
| D796,262     | S  | * | 9/2017  | Parker    | ..... | D7/510  |
| 2012/0298679 | A1 |   | 11/2012 | Randolph  |       |         |

\* cited by examiner



FIG. 1

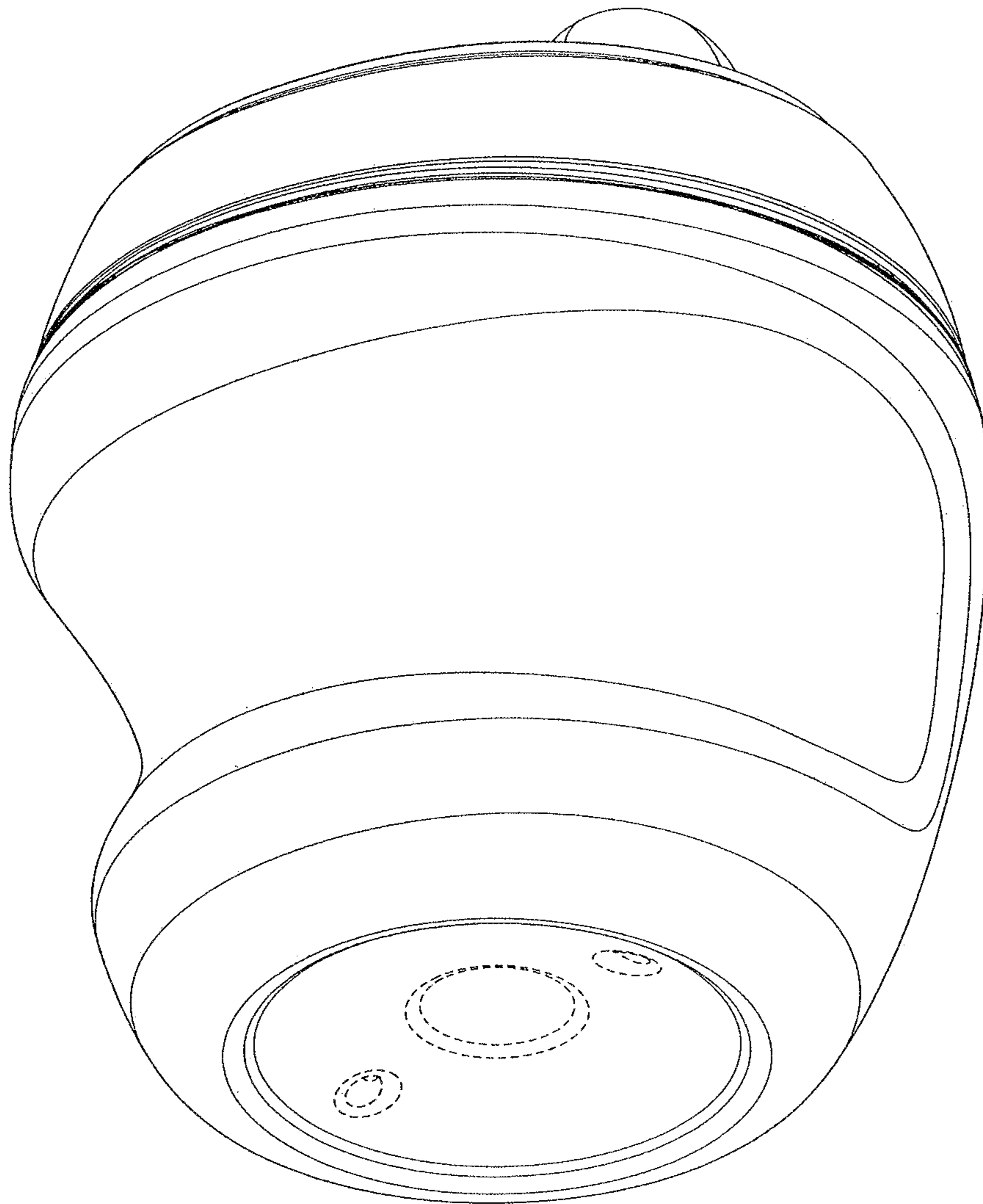


FIG. 2

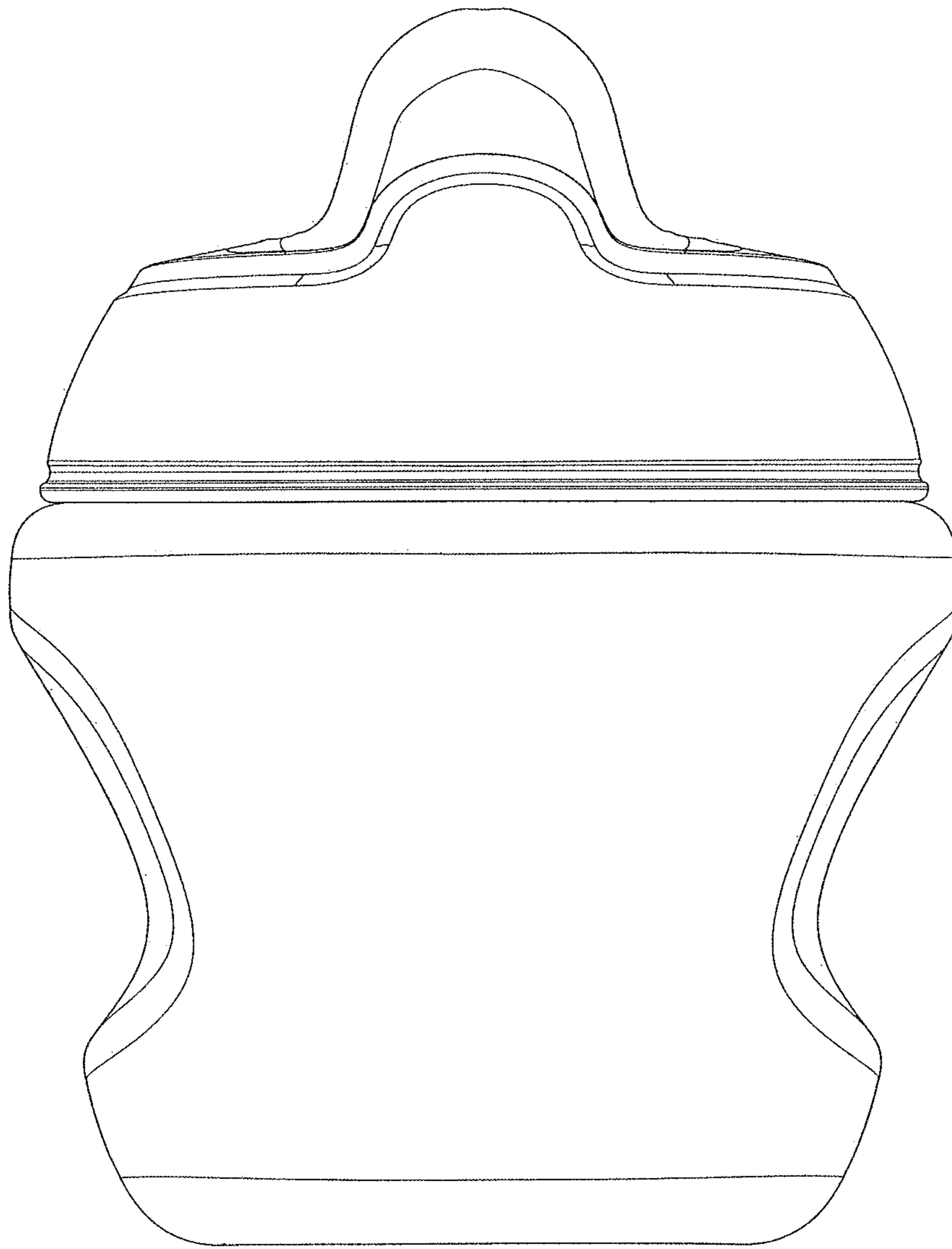


FIG. 3

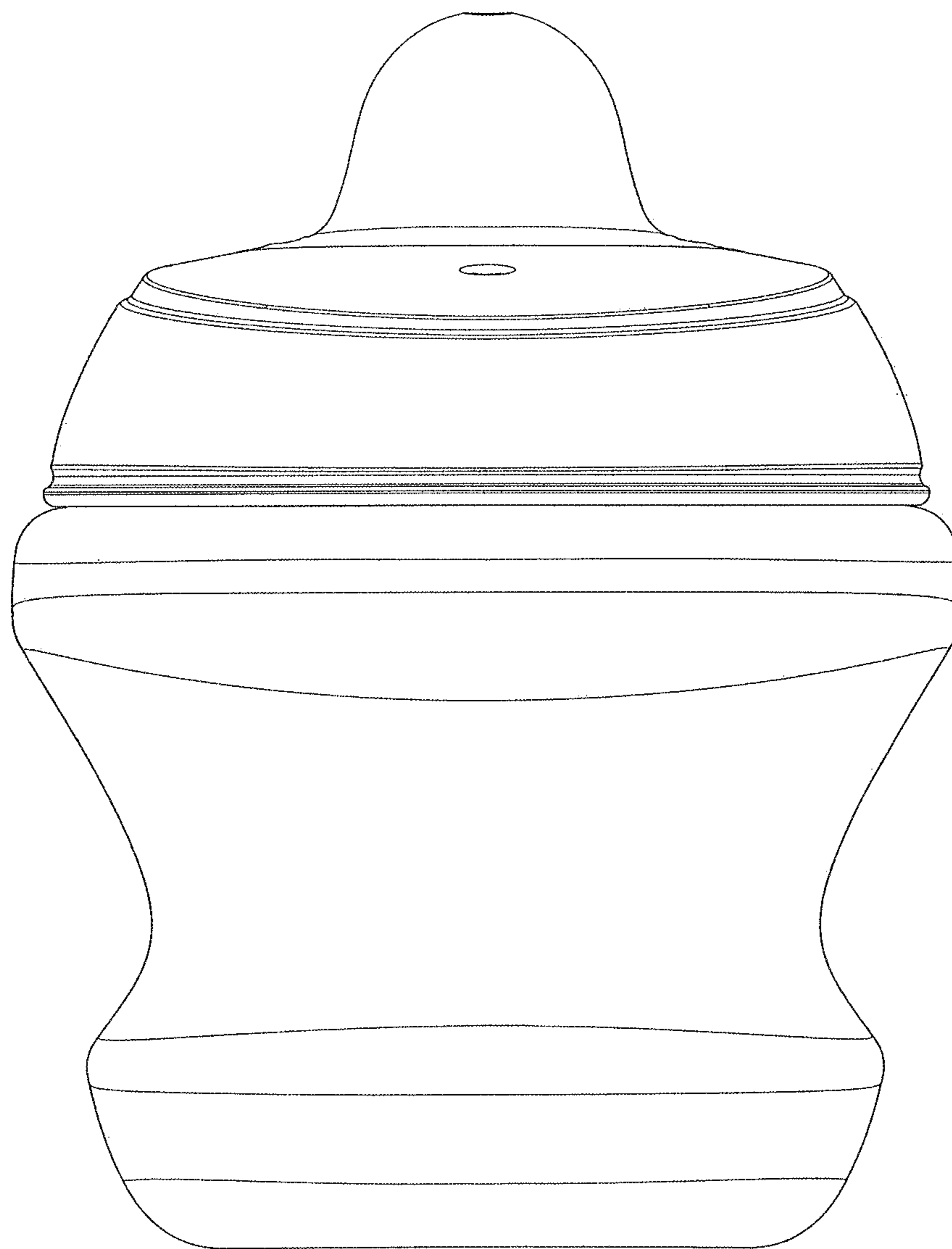


FIG. 4

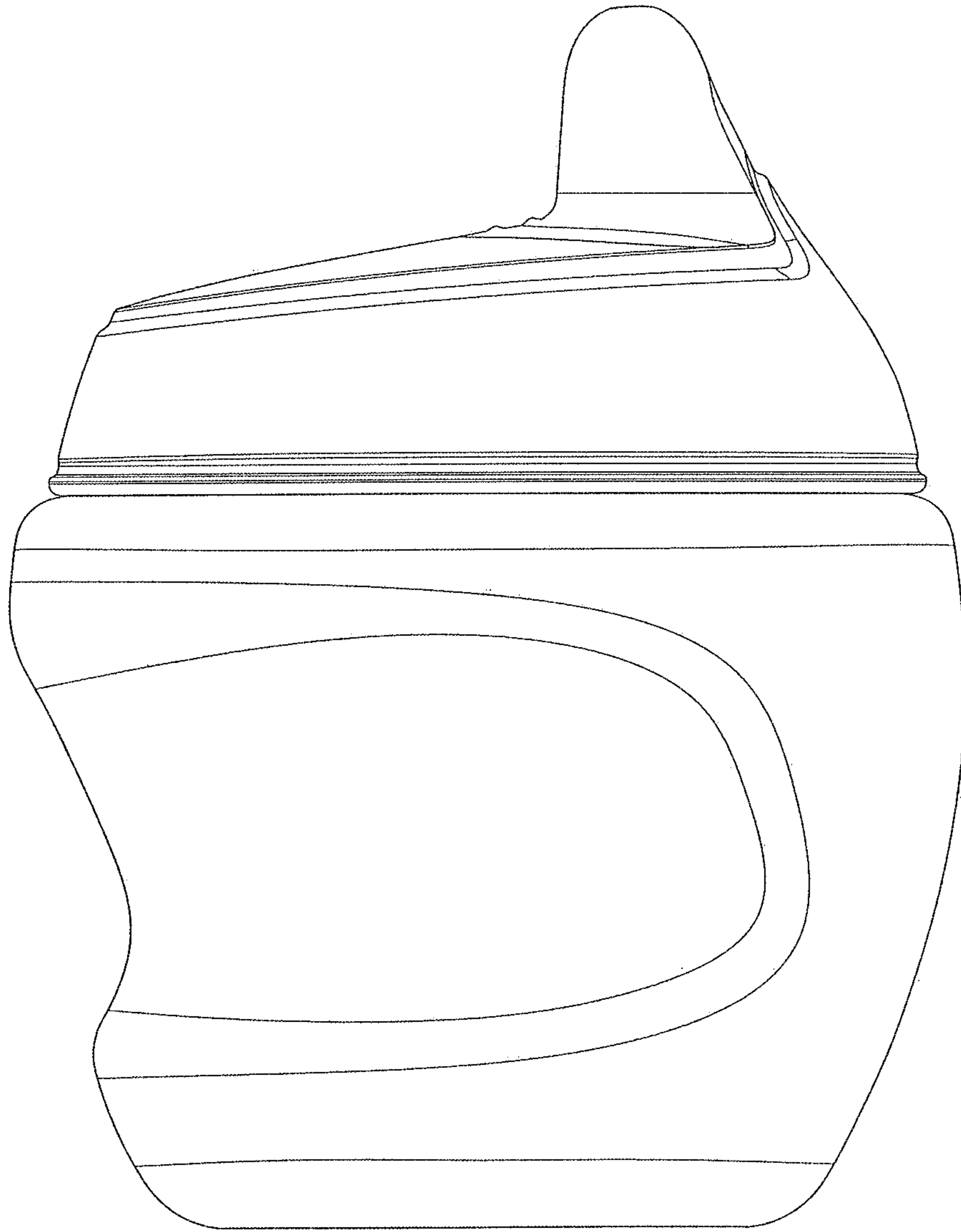


FIG. 5

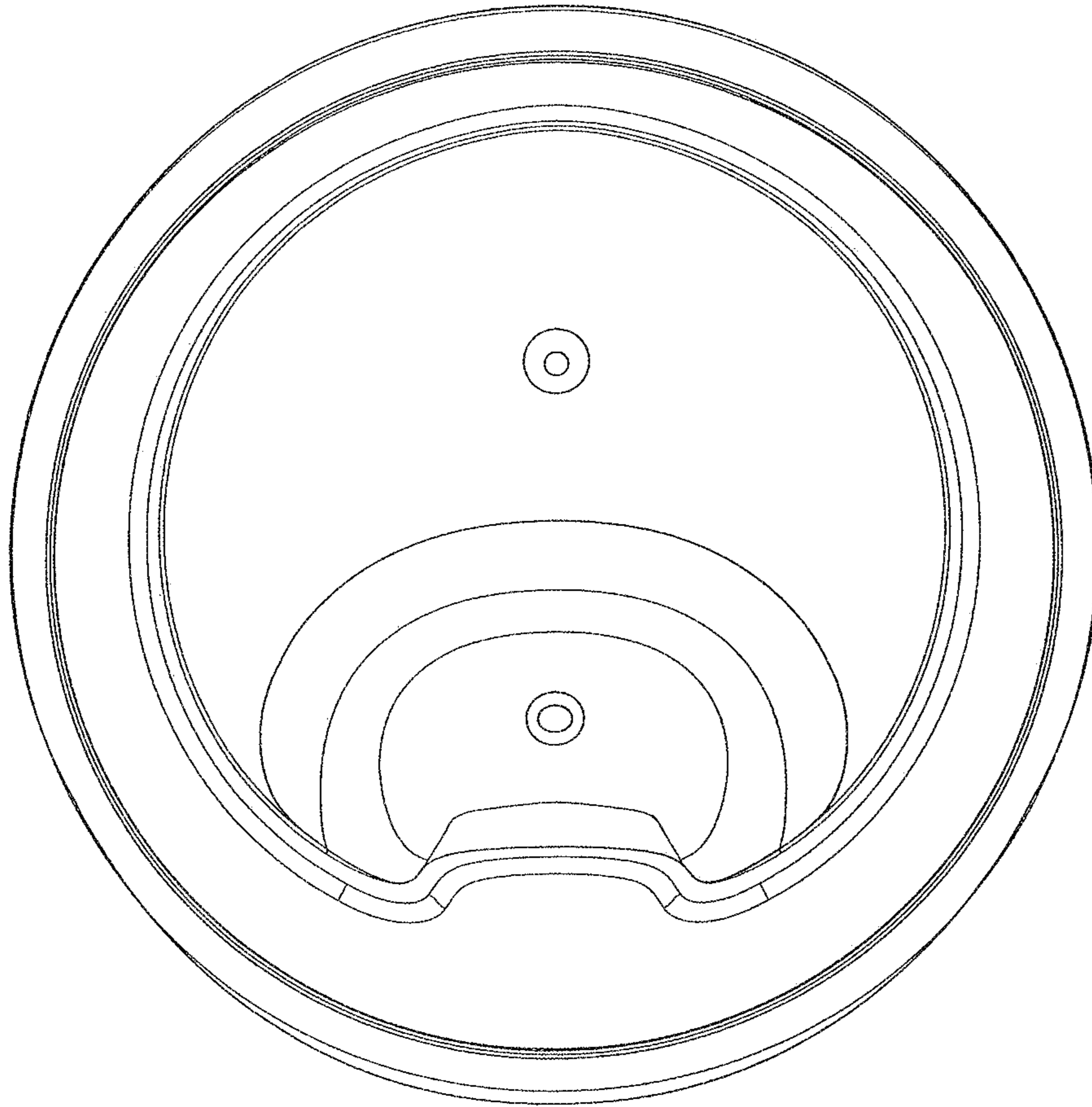


FIG. 6



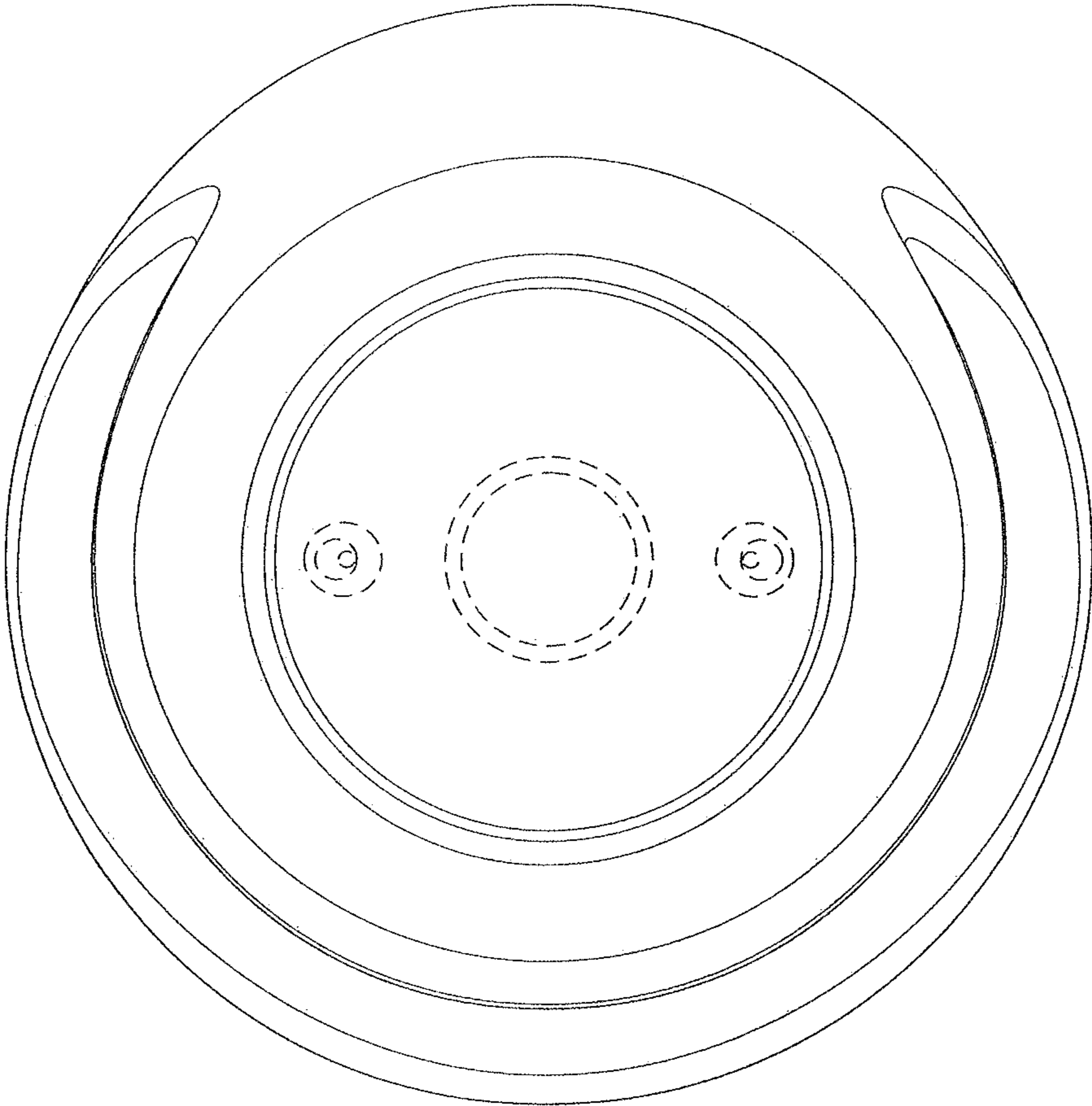


FIG. 7