



US00D819400S

(12) **United States Design Patent**
Scanlon et al.

(10) **Patent No.:** **US D819,400 S**
(45) **Date of Patent:** **** Jun. 5, 2018**

(54) **FOOD PREPARATION UNIT**

(71) Applicant: **Hatco Corporation**, Milwaukee, WI (US)

(72) Inventors: **John Scanlon**, Milwaukee, WI (US);
Kevin Veaser, Milwaukee, WI (US)

(73) Assignee: **Hatco Corporation**, Milwaukee, WI (US)

(**) Term: **15 Years**

(21) Appl. No.: **29/564,815**

(22) Filed: **May 16, 2016**

(51) **LOC (11) Cl.** **07-02**

(52) **U.S. Cl.**
USPC **D7/407**

(58) **Field of Classification Search**
USPC D7/402–404, 407–409, 332–337,
D7/362–367; D23/386, 415–419
CPC A47J 37/0713; A47J 37/041; A47J 37/042;
A47J 37/043; F23D 14/10; F23D 14/045;
F23D 2203/1012; F23D 2900/00017;
F24C 3/14; F24C 1/16; F24C 5/20
See application file for complete search history.

(56) **References Cited**

U.S. PATENT DOCUMENTS

D324,421 S *	3/1992	Arbouw	D23/386
D340,615 S *	10/1993	Guerrier	D7/365
D364,773 S *	12/1995	Witte	D7/337
D364,995 S *	12/1995	Koziol	D7/409
D370,595 S *	6/1996	Koziol	D7/409
D513,970 S *	1/2006	Sterling	D8/381
D636,864 S *	4/2011	Post	D23/386
D644,474 S *	9/2011	Wilgus	D7/332
D722,819 S *	2/2015	Lu	D7/407

D758,784 S *	6/2016	Hunt	D7/352
D769,065 S *	10/2016	Wilgus	D7/402
2008/0163865 A1 *	7/2008	Ho	A47J 37/041 126/9 B
2009/0199841 A1 *	8/2009	Tsung	A47J 36/06 126/25 R

OTHER PUBLICATIONS

Design Patent Application Guide, United States Patent and Trademark Office [online], publication date not available, [retrieved on Oct. 24, 2017]. Retrieved from the Internet, URL: <https://www.uspto.gov/patents-getting-started/patent-basics/types-patent-applications/design-patent-application-guide>.*

* cited by examiner

Primary Examiner — Sheryl Lane

Assistant Examiner — Nicole C Shiflet

(74) *Attorney, Agent, or Firm* — Foley & Lardner LLP

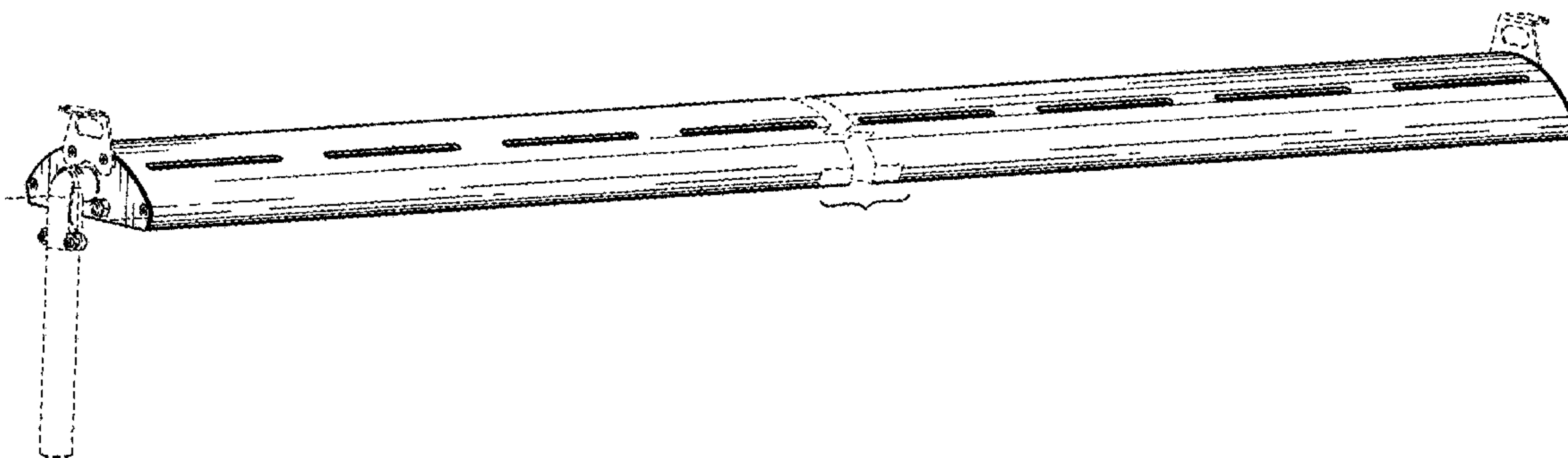
(57) **CLAIM**

We claim the ornamental design for a food preparation unit, as shown and described.

DESCRIPTION

FIG. 1 is a perspective view of the claimed design; FIG. 2 is a top view of the claimed design of FIG. 1; FIG. 3 is a rear view of the claimed design of FIG. 1; FIG. 4 is a front view of the claimed design of FIG. 1; FIG. 5 is a left view of the claimed design of FIG. 1; and, FIG. 6 is a right view of the claimed design of FIG. 1. The ornamental design which is claimed is shown in solid lines in the figures. The dash-dash broken lines show portions of the article and form no part of the claimed design. The dash-dot broken lines behind brackets show break lines and the appearance of any portion of the article between the break lines form no part of the claimed design.

1 Claim, 4 Drawing Sheets



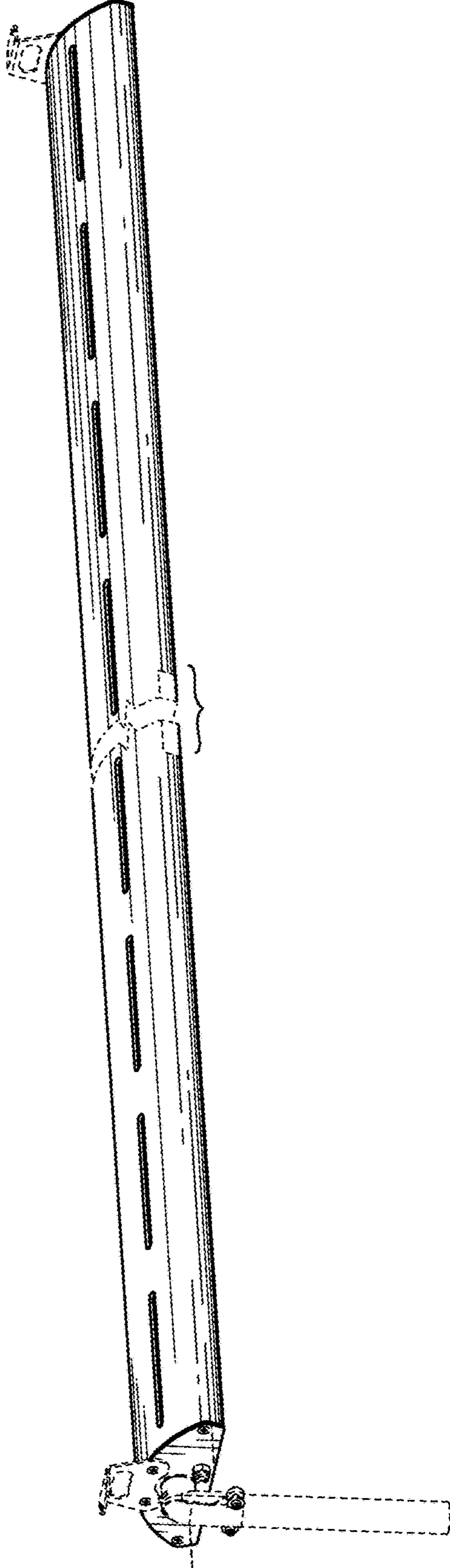


FIG. 1

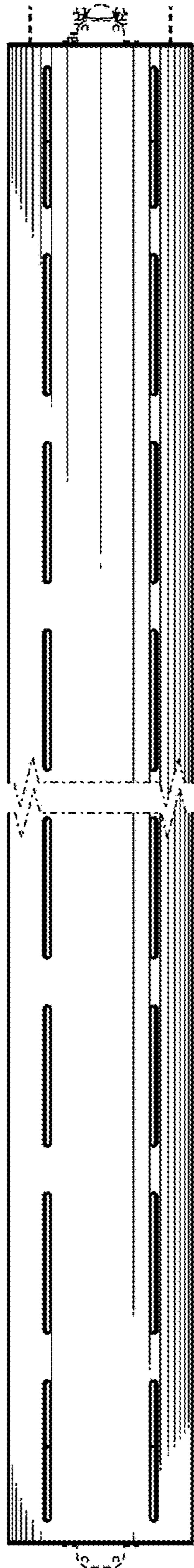


FIG. 2

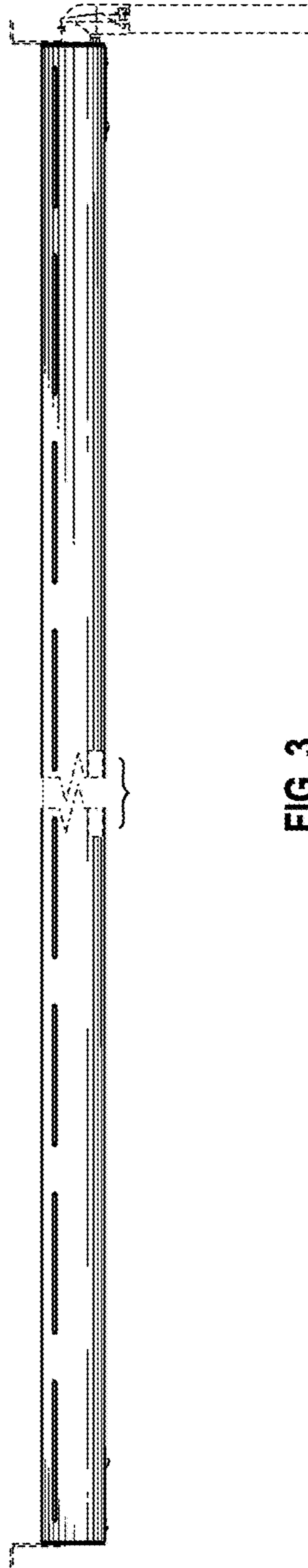


FIG. 3

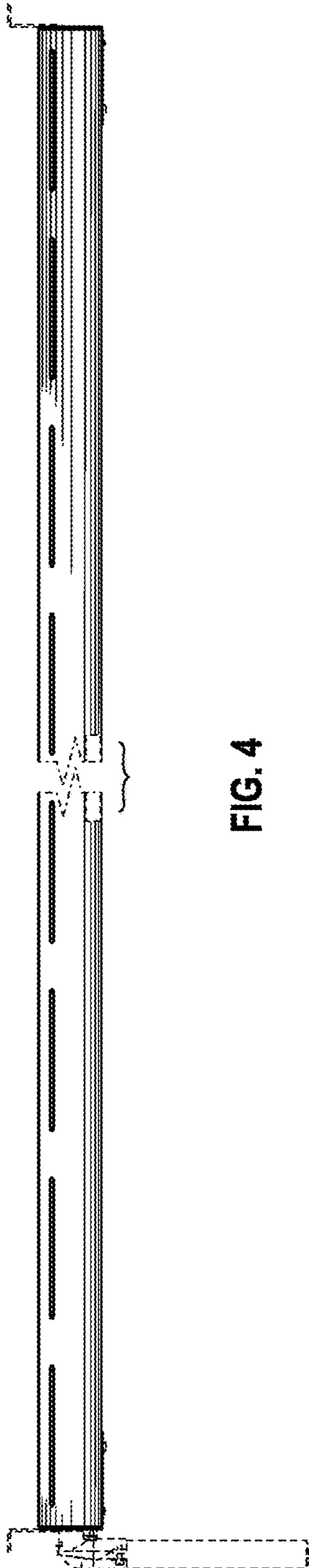


FIG. 4

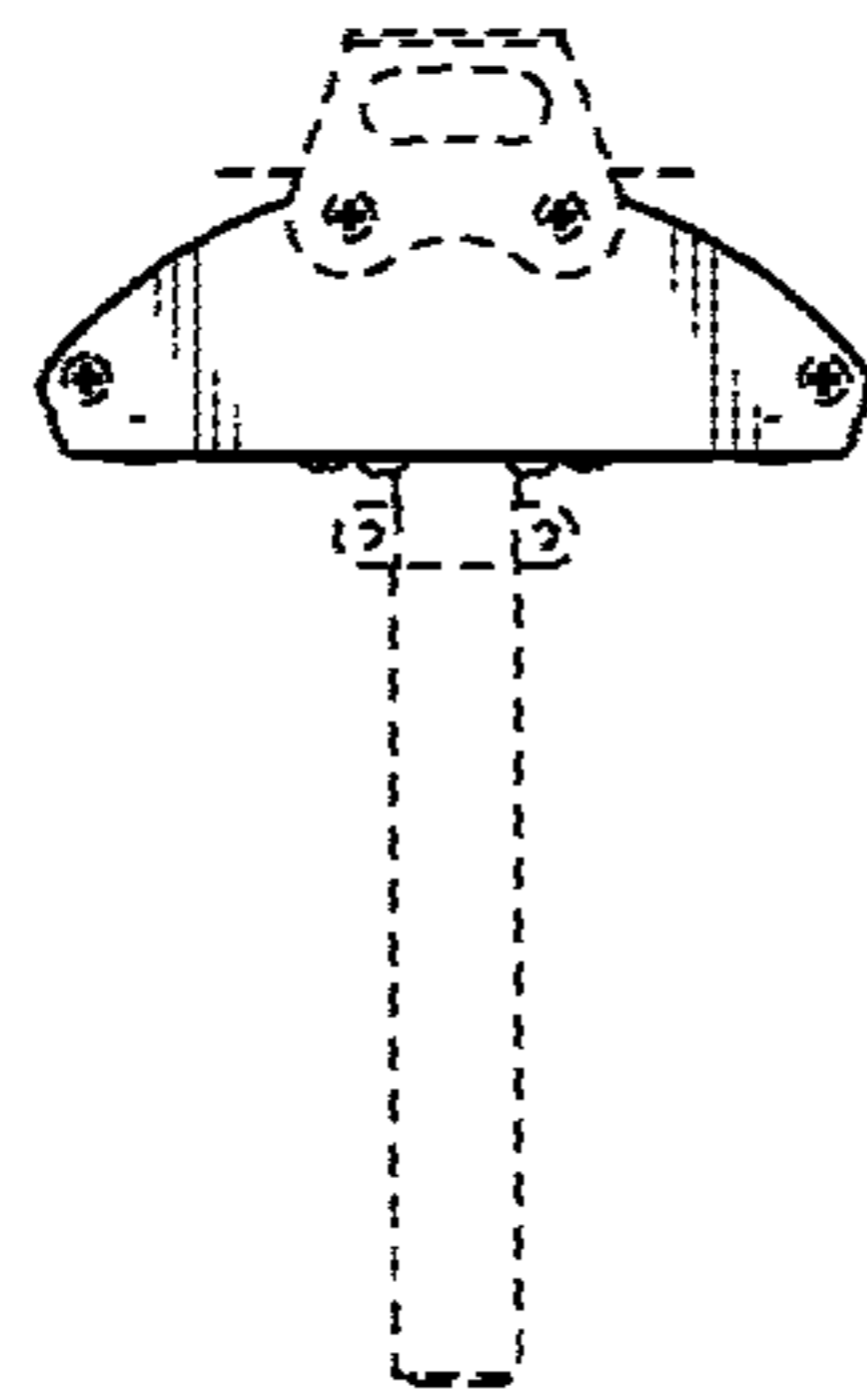


FIG. 5

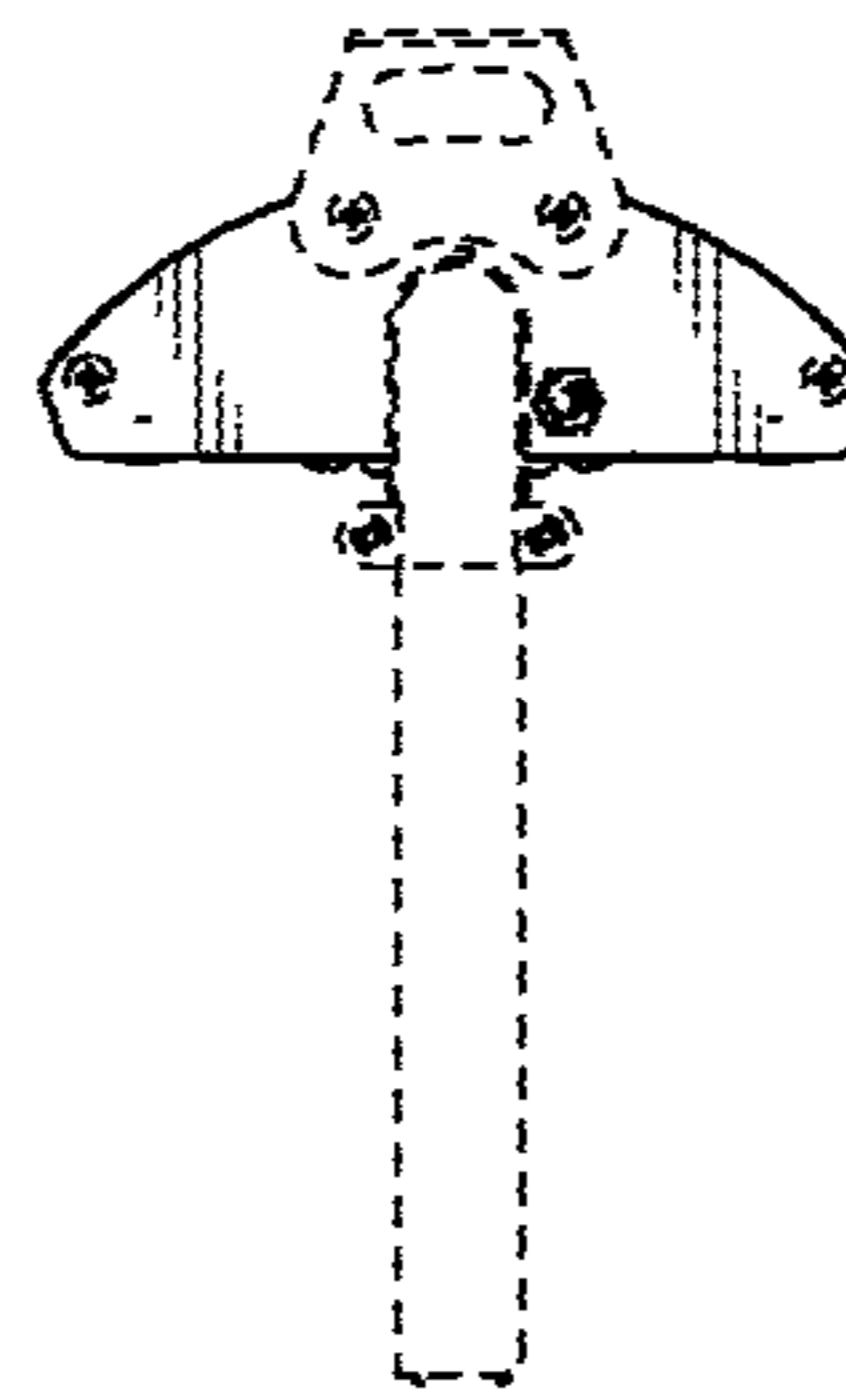


FIG. 6