



US00D819399S

(12) **United States Design Patent**
Hamlin

(10) **Patent No.:** **US D819,399 S**
(45) **Date of Patent:** **** Jun. 5, 2018**

(54) **CHEF KNIFE HANDLE HAVING A THUMB SUPPORT**

(71) Applicant: **Edward W Hamlin**, Altamonte Springs, FL (US)

(72) Inventor: **Edward W Hamlin**, Altamonte Springs, FL (US)

(**) Term: **15 Years**

(21) Appl. No.: **29/598,641**

(22) Filed: **Mar. 28, 2017**

(51) **LOC (11) Cl.** **07-99**

(52) **U.S. Cl.**
USPC **D7/401.2**

(58) **Field of Classification Search**
USPC D7/642-654, 662, 664, 666, 669, 672, D7/673, 676, 681-683, 687, 688, D7/691-697, 401, 401.1, 401.2, 387, 393, D7/213; D8/7, 9, 12, 33, 48, 75-77, 80, D8/81, 83, 93-107, 300, 303; D22/118
CPC A47G 21/02; A47G 21/06; A47G 21/08; A47G 21/04; B26B 11/00; B26B 29/025; B26B 1/00; B26B 1/08; B26B 1/10; B26B 3/00; B26B 3/02; B26B 3/03; B26B 5/007; B26B 11/001; B26B 11/003; B26B 11/005; B26B 11/006; B26B 11/008; B26B 21/00; B26B 21/04; B26B 21/4006; A47J 43/281; A47J 43/283; A47J 43/284; A47J 43/285; A47J 43/286; A47J 43/288

See application file for complete search history.

(56) **References Cited**

U.S. PATENT DOCUMENTS

- 1,750,577 A * 3/1930 De Bracht A47J 17/02 30/295
- D309,557 S * 7/1990 Quenessen D7/649
- D386,361 S * 11/1997 Morrow D7/401.2

- D400,059 S * 10/1998 Cohen D7/649
- D410,831 S * 6/1999 Dossett D8/107
- D413,500 S * 9/1999 Vogelsanger D8/46
- D435,935 S * 1/2001 Nobile D28/48
- D445,643 S * 7/2001 Kazaklaris D7/401.2
- D458,511 S * 6/2002 Rorke D7/395
- D476,535 S * 7/2003 Garon D7/401.2
- D477,765 S * 7/2003 Hall D8/98

(Continued)

OTHER PUBLICATIONS

“ZYLISS Serrated Paring Knife, 4-Inch Stainless Steel Blade,” available Jun. 3, 2016, [online], [site visited Mar. 7, 2018]. Available from Internet, URL: <https://www.ebay.com/itm/ZYLISS-Serrated-Paring-Knife-4-Inch-Stainless-Steel-Blade-Red-NEW/122949410529> (Year: 2016).*

(Continued)

Primary Examiner — Cathron C Brooks
Assistant Examiner — Katrina N Gonzalez
(74) *Attorney, Agent, or Firm* — William M. Hobby, III

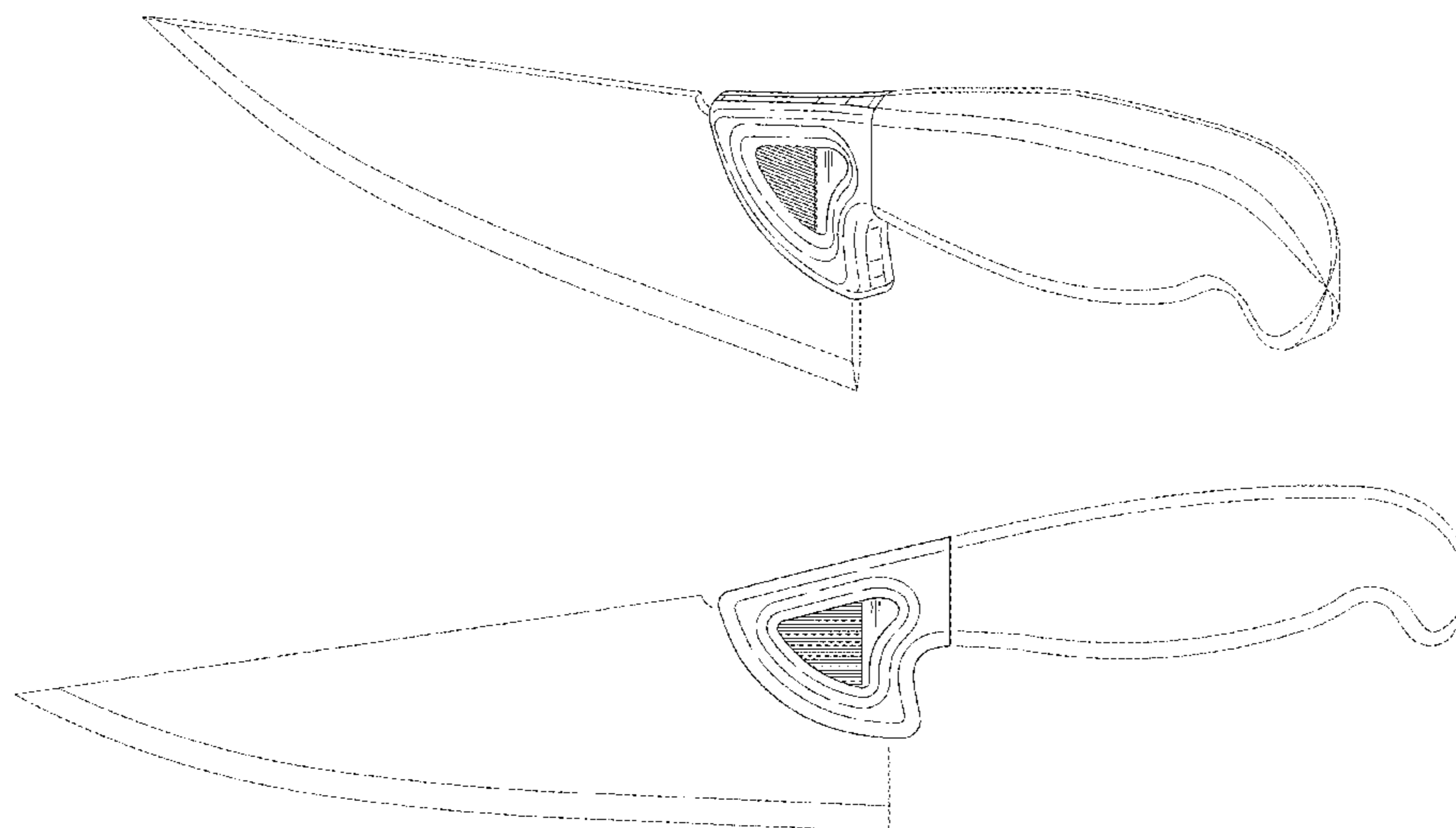
(57) **CLAIM**

The ornamental design for a chef knife handle having a thumb support, as shown and described.

DESCRIPTION

FIG. 1 is a left side perspective view of a chef knife handle having a thumb support showing my new design; FIG. 2 is a right side perspective thereof; FIG. 3 is a front end elevation thereof; FIG. 4 is a rear end elevation thereof; FIG. 5 is a left side elevation thereof; FIG. 6 is a top plan view thereof; and, FIG. 7 is a bottom plan view thereof. The broken lines showing a handle illustrate portions of the chef knife handle having a thumb support. The broken lines showing a blade illustrate environmental structure. None of the broken lines form part of the claimed design.

1 Claim, 2 Drawing Sheets



(56)

References Cited

U.S. PATENT DOCUMENTS

D498,130 S * 11/2004 Tomchak D8/107
D538,591 S * 3/2007 Aston, III 8/107
D539,085 S * 3/2007 Aston, III 8/107
D539,086 S * 3/2007 Aston, III D7/401.2
D560,096 S * 1/2008 Bras D7/401.2
D582,745 S * 12/2008 Neiser D8/98
D610,399 S * 2/2010 Hamlin D7/387
D610,432 S * 2/2010 Siegel D8/104
D637,049 S * 5/2011 Ono D7/649
D646,120 S * 10/2011 Hirai D7/401.2
D693,172 S * 11/2013 Joseph D7/401.2
D719,405 S * 12/2014 Miller D7/401.2
D774,354 S * 12/2016 Scobey, Jr. D7/401.2
D781,678 S * 3/2017 Chen D8/75
D784,783 S * 4/2017 Chen D8/76
D790,290 S * 6/2017 Singer D7/401.2
D795,639 S * 8/2017 Singer D7/401.2
D803,621 S * 11/2017 Cosignani D7/401.2
D804,271 S * 12/2017 Fording D8/75
D810,540 S * 2/2018 Marfione D8/99

OTHER PUBLICATIONS

“CeraPan Perfect Grip Ceramic Nonstick 9,” available Mar. 7, 2018, [online], [site visited Mar. 7, 2018]. Available from Internet, URL:<https://www.evine.com/Product/462-651> (Year: 2018).*

“The Chefs Grip,” available Mar. 7, 2018, [online], [site visited Mar. 7, 2018]. Available from Internet, URL:<http://www.thechefsgrip.com/> (Year: 2018).*

* cited by examiner

FIG. 1

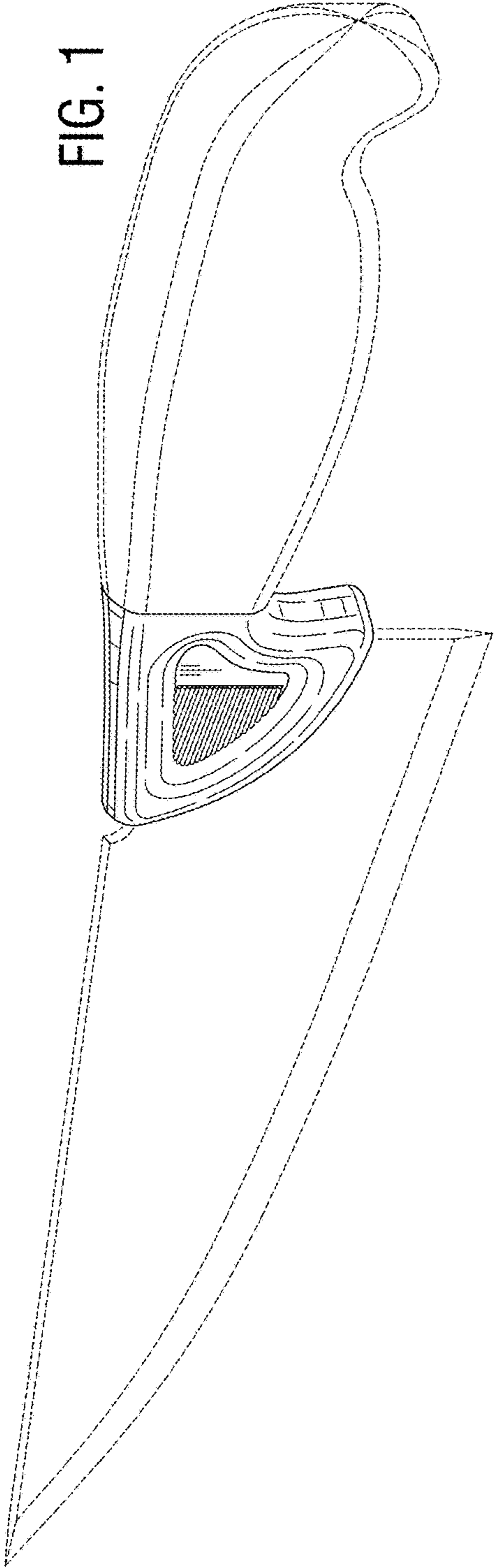


FIG. 2

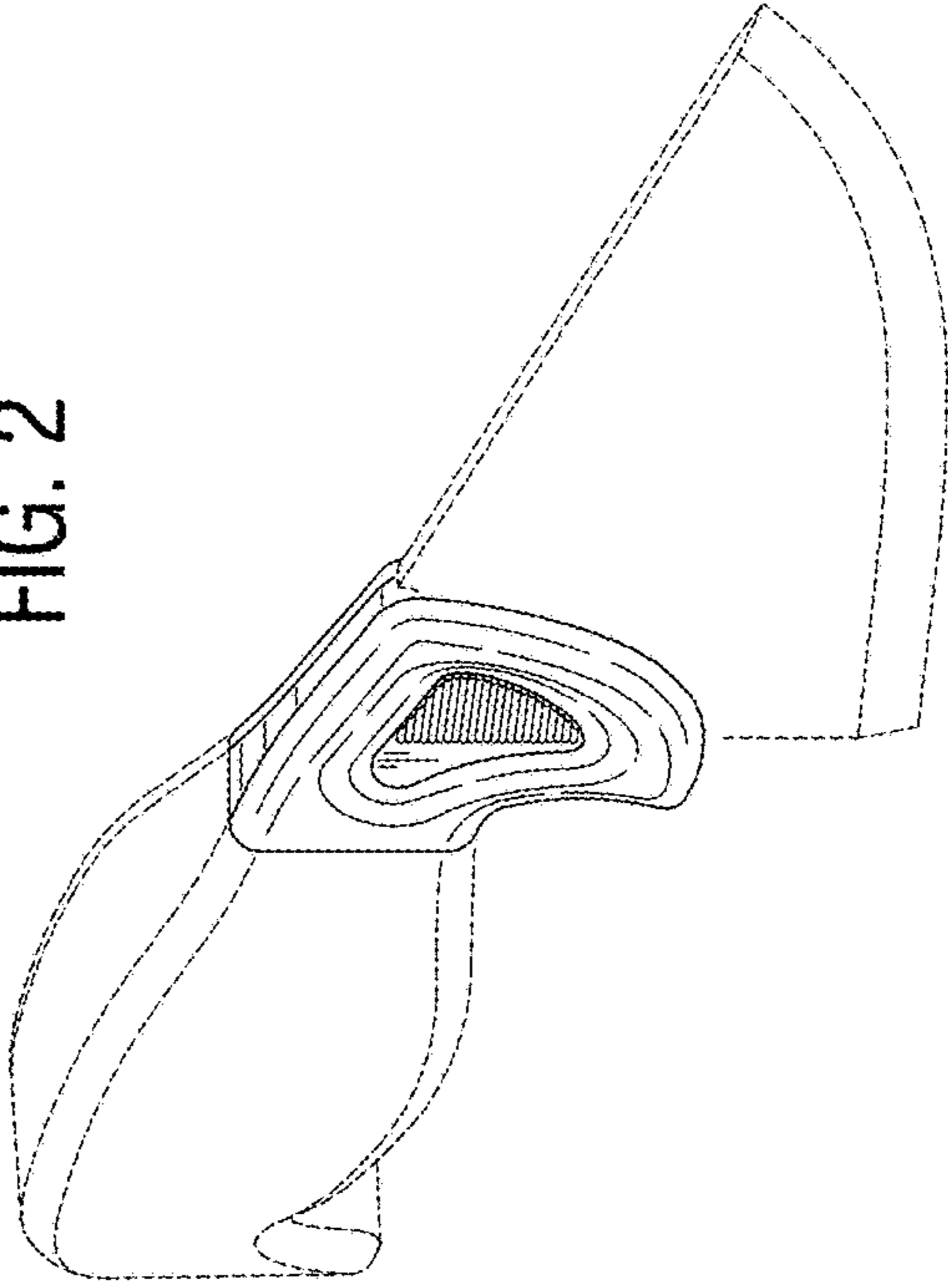


FIG. 4

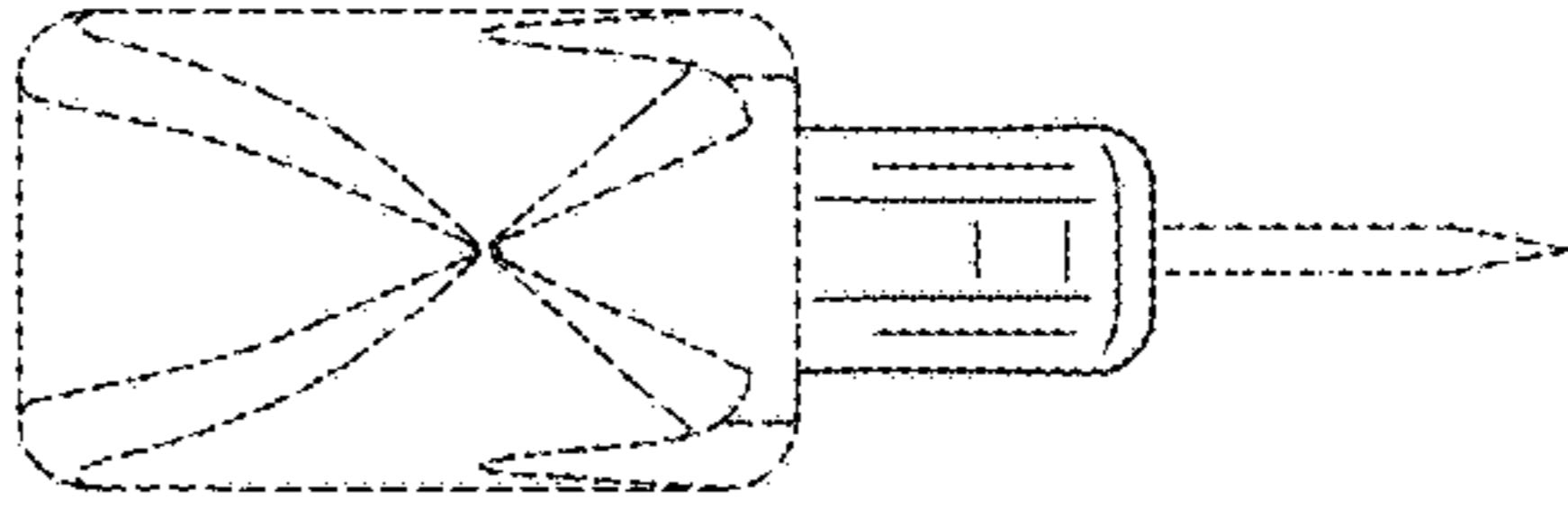
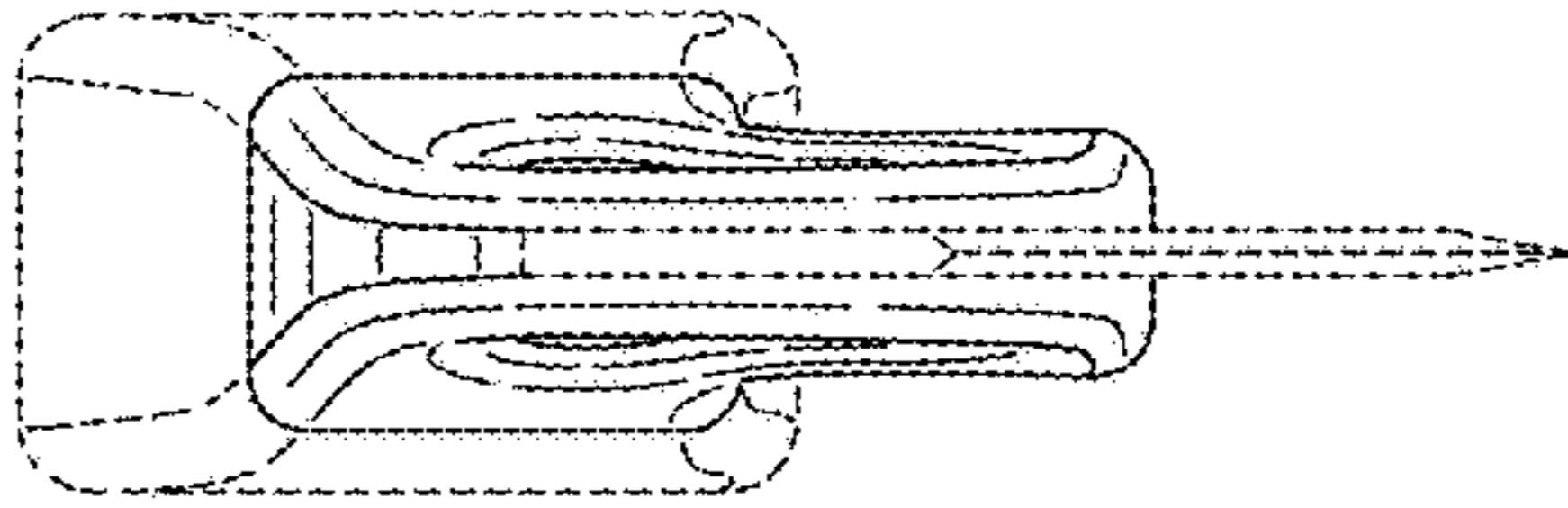


FIG. 3



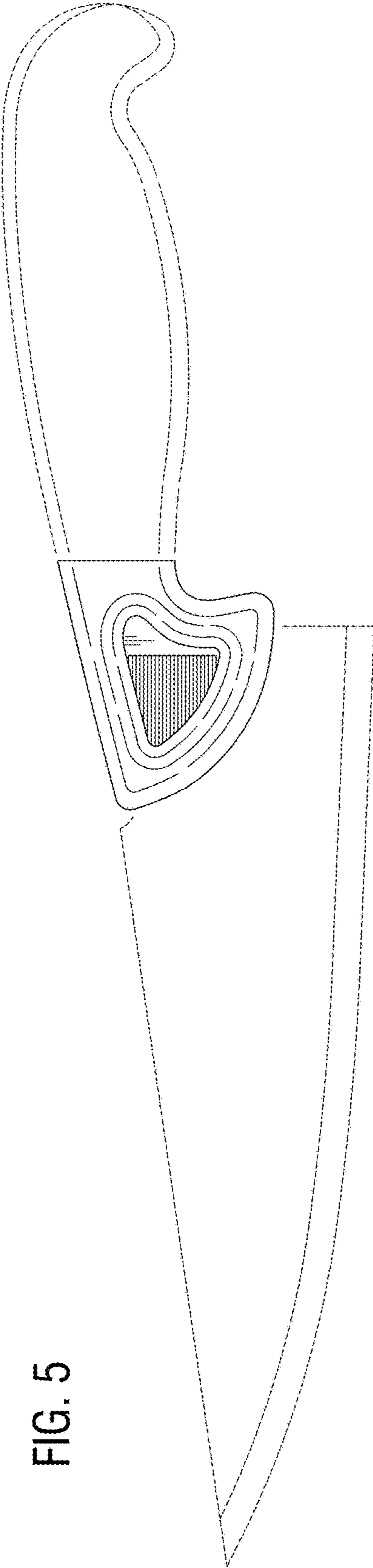


FIG. 5

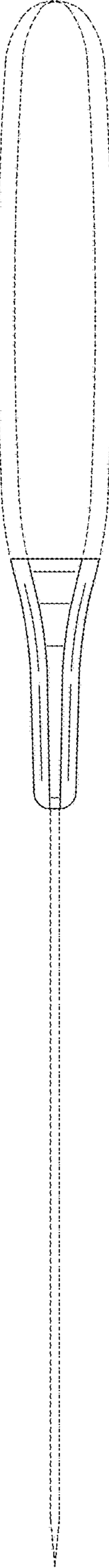


FIG. 6

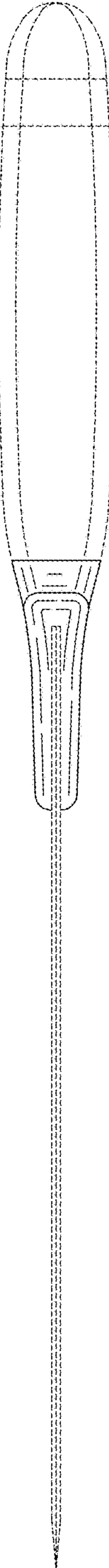


FIG. 7