



US00D819398S

(12) **United States Design Patent**  
**Kestenbaum**

(10) **Patent No.:** **US D819,398 S**  
(45) **Date of Patent:** **\*\* Jun. 5, 2018**

(54) **WATER CONTAINER**

(71) Applicant: **SharkNinja Operating LLC**, Newton, MA (US)

(72) Inventor: **Daniel Kestenbaum**, Brookline, MA (US)

(73) Assignee: **SHARKNINJA OPERATING LLC**, Needham, MA (US)

(\*\*) Term: **15 Years**

(21) Appl. No.: **29/589,000**

(22) Filed: **Dec. 27, 2016**

**Related U.S. Application Data**

(62) Division of application No. 29/530,393, filed on Jun. 16, 2015, now Pat. No. Des. 778,669.

(51) **LOC (11) Cl.** ..... **07-99**

(52) **U.S. Cl.**  
USPC ..... **D7/401**; D7/399; D7/397; D10/46.2

(58) **Field of Classification Search**  
USPC ..... D7/400, 397, 399, 313, 306-311, 312, D7/401; D9/549, 435, 520, 521, 772;  
(Continued)

(56) **References Cited**

**U.S. PATENT DOCUMENTS**

2,256,865 A \* 9/1941 Gilbert ..... G01F 19/005  
73/429  
3,137,469 A \* 6/1964 Stanley ..... B65F 1/1421  
248/147

(Continued)

**OTHER PUBLICATIONS**

Notice of Allowance; U.S. Appl. No. 29/530,393, filed Jun. 16, 2015; Water Container; dated Sep. 27, 2016; 7 pages.

(Continued)

*Primary Examiner* — Marianne Pandozzi

(74) *Attorney, Agent, or Firm* — Cantor Colburn LLP

(57) **CLAIM**

I claim, the ornamental design for a water container, as shown and described.

**DESCRIPTION**

FIG. 1 is a perspective view of a water container showing our new design;

FIG. 2 is a front view of the embodiment shown in FIG. 1;

FIG. 3 is a back view of the embodiment shown in FIG. 1;

FIG. 4 is a top plan view of the embodiment shown in FIG. 1;

FIG. 5 is a bottom plan view of the embodiment shown in FIG. 1;

FIG. 6 is a side view of the embodiment shown in FIG. 1;

FIG. 7 is another side view of the embodiment shown in FIG. 1;

FIG. 8 is perspective view of the embodiment shown in FIG. 1 in a coffee maker environment;

FIG. 9 is a perspective view of a water container showing a second embodiment of our new design;

FIG. 10 is a front view of the embodiment shown in FIG. 9;

FIG. 11 is a back view of the embodiment shown in FIG. 9;

FIG. 12 is a top plan view of the embodiment shown in FIG. 9;

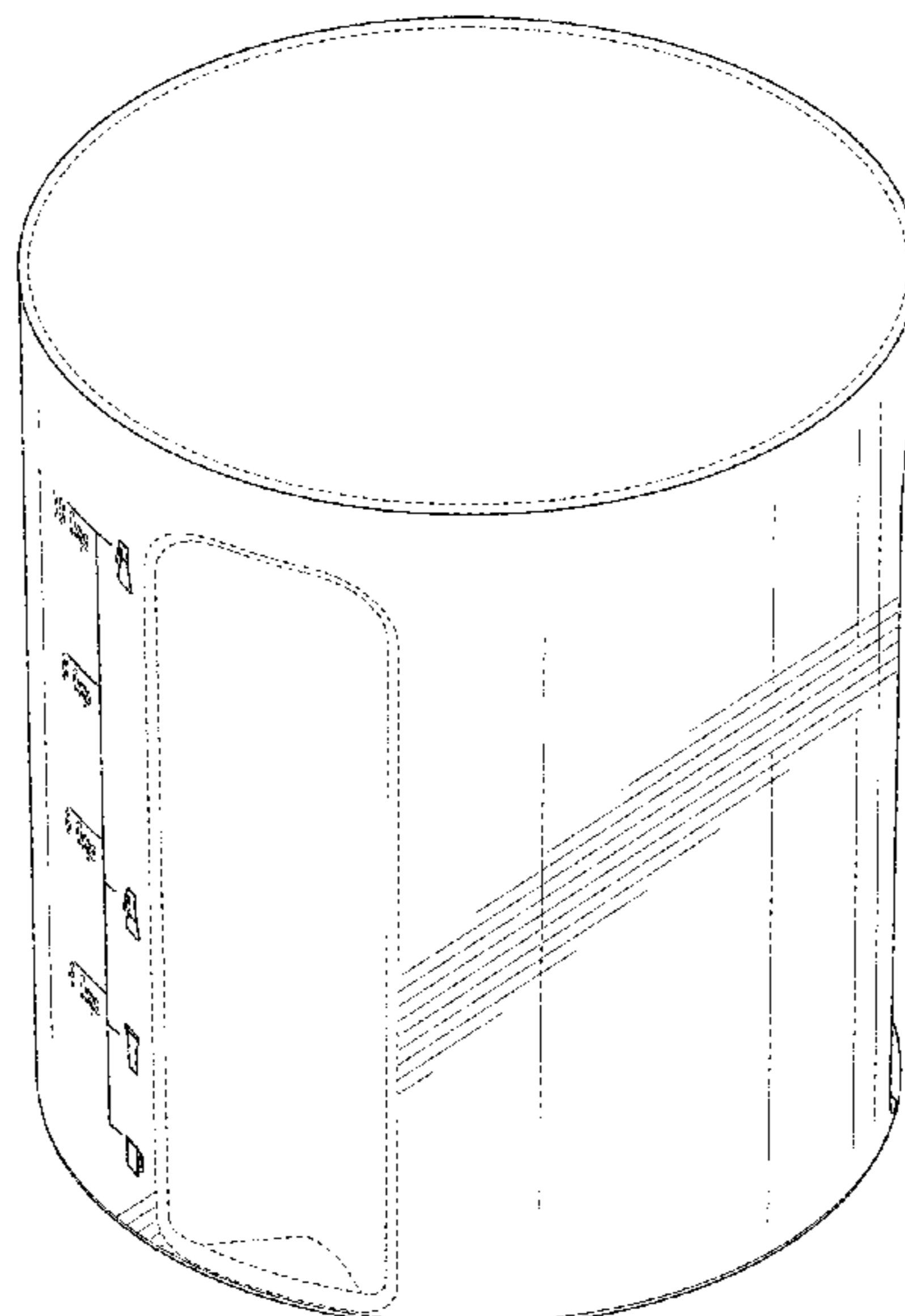
FIG. 13 is a bottom plan view of the embodiment shown in FIG. 9;

FIG. 14 is a side view of the embodiment shown in FIG. 9; and,

FIG. 15 is another side view of the embodiment shown in FIG. 9.

The broken lines are for environmental purpose only and form no part of the claimed design.

**1 Claim, 15 Drawing Sheets**



(58) **Field of Classification Search**

USPC ..... D30/132; D10/46.2, 101; D32/29.1;  
220/675; 215/12.2, 382; D34/39, 1, 4;  
99/279  
CPC . A45D 33/18; A01K 7/00; A47J 42/18; B29C  
47/0023; H01M 2/0237; C12C 11/003  
See application file for complete search history.

(56) **References Cited**

U.S. PATENT DOCUMENTS

D316,529 S \* 4/1991 Beckman, Sr. .... D10/46.2  
D330,862 S \* 11/1992 Shibley ..... D10/46.2  
D343,129 S \* 1/1994 Farley ..... 374/142  
D381,141 S \* 7/1997 Balz ..... D32/29.1  
D425,436 S \* 5/2000 Wei ..... D10/46.2  
D440,501 S \* 4/2001 Dorion ..... D10/46.2  
D441,998 S \* 5/2001 Kauzlarich ..... D32/30  
D448,289 S \* 9/2001 Yuen ..... D9/428

D451,828 S \* 12/2001 McGuyer ..... D10/46.2  
D455,596 S \* 4/2002 Boos ..... D7/309  
D461,358 S \* 8/2002 Cahen ..... D7/309  
D463,303 S \* 9/2002 Gerald ..... D10/101  
D513,928 S \* 1/2006 Birdsell ..... D7/306  
D533,471 S \* 12/2006 Jordan ..... D10/46.2  
D537,353 S \* 2/2007 Bailey ..... D9/540  
D635,734 S \* 4/2011 Rendall ..... D34/39  
D655,978 S \* 3/2012 Bolzicco ..... D7/397  
D707,413 S \* 6/2014 Lin ..... D34/1  
D708,475 S \* 7/2014 Bolzicco ..... D7/397  
D725,975 S \* 4/2015 Klenk ..... D10/46.2  
D743,279 S \* 11/2015 Schwartz ..... D10/46.2  
D784,075 S \* 4/2017 Kestenbaum ..... D7/397

OTHER PUBLICATIONS

Requirement for Restriction/Election; U.S. Appl. No. 29/530,393,  
filed Jun. 16, 2015; Water Container; dated Jul. 8, 2016; 8 Pages.

\* cited by examiner

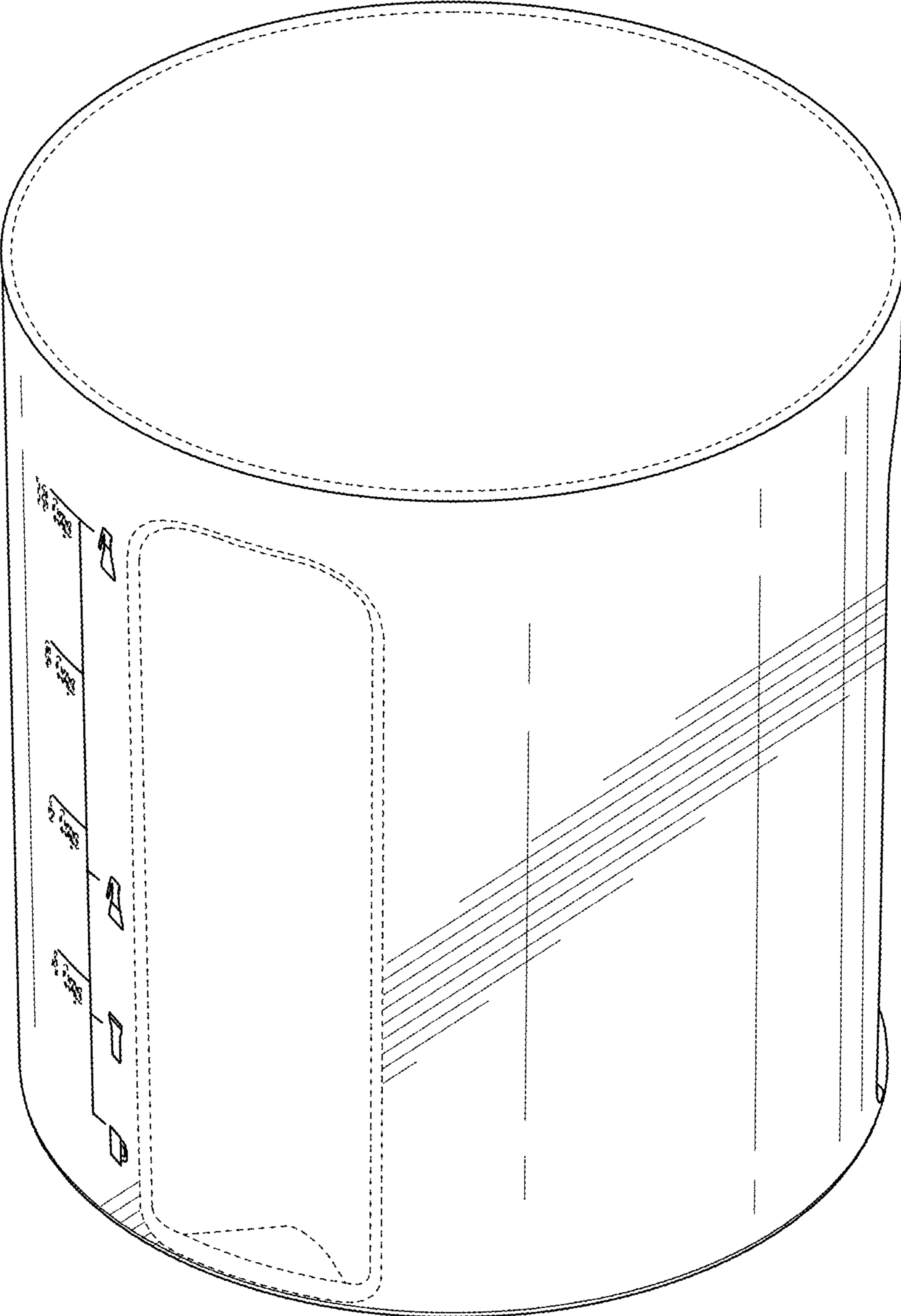


FIG. 1

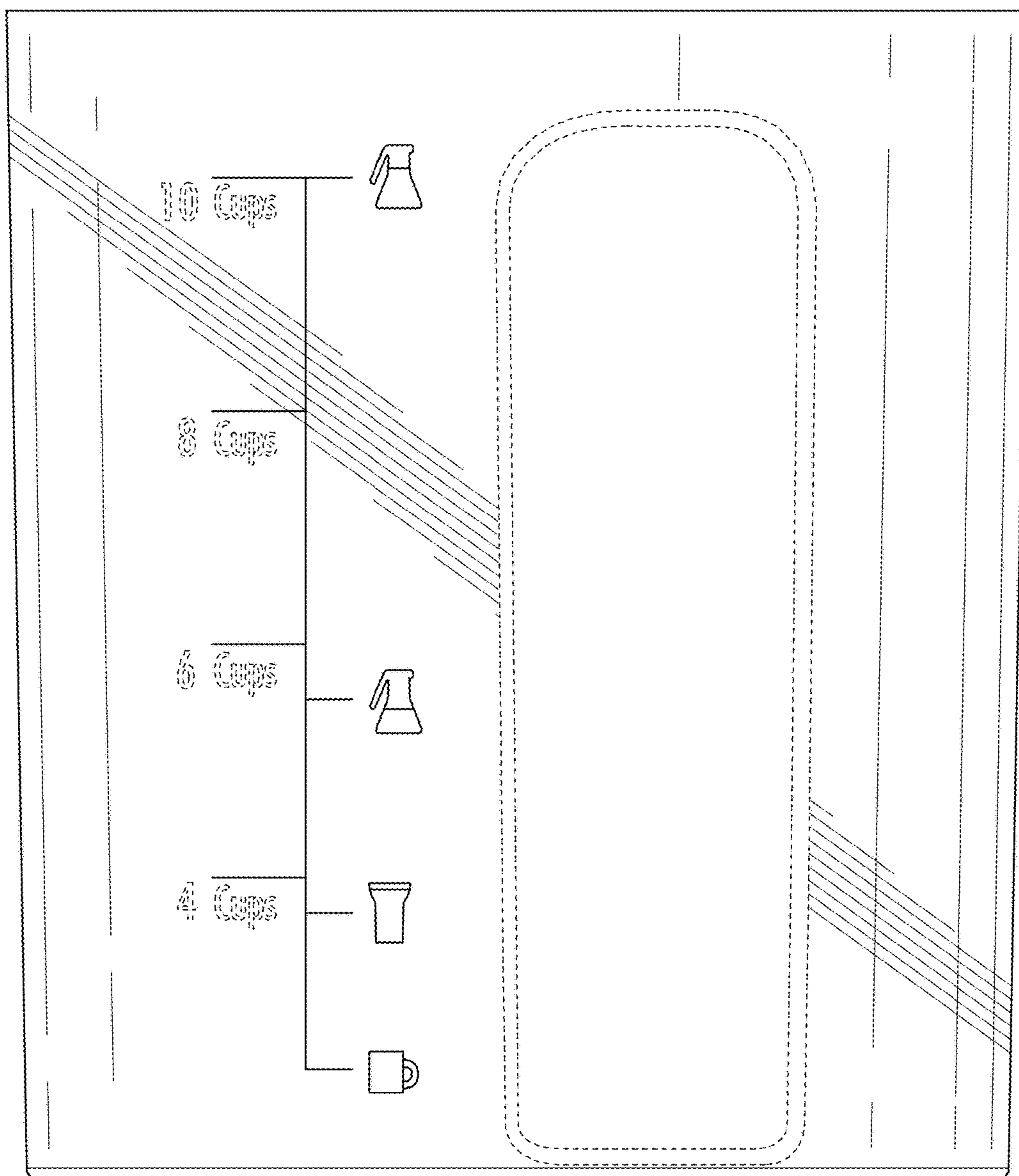
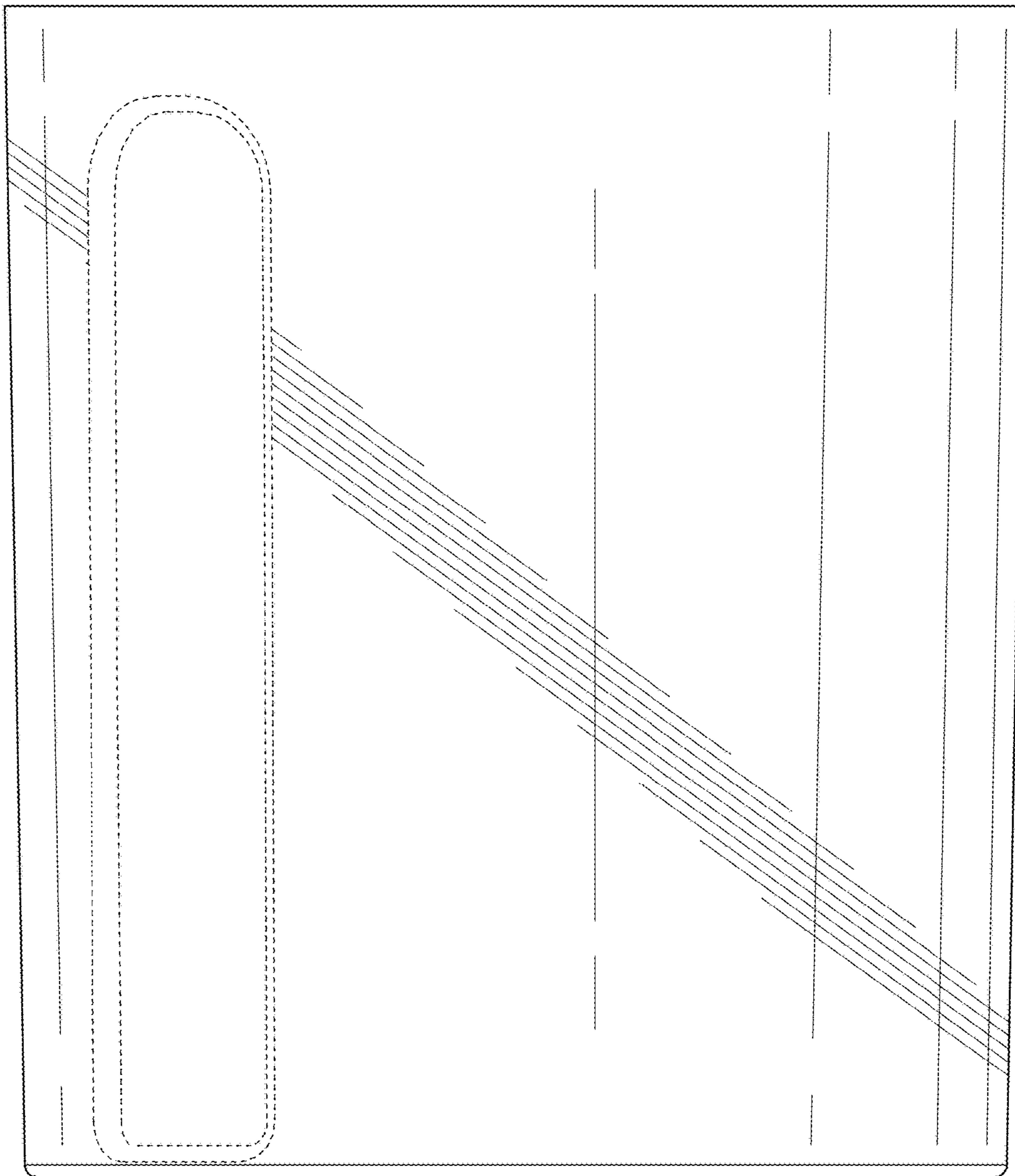
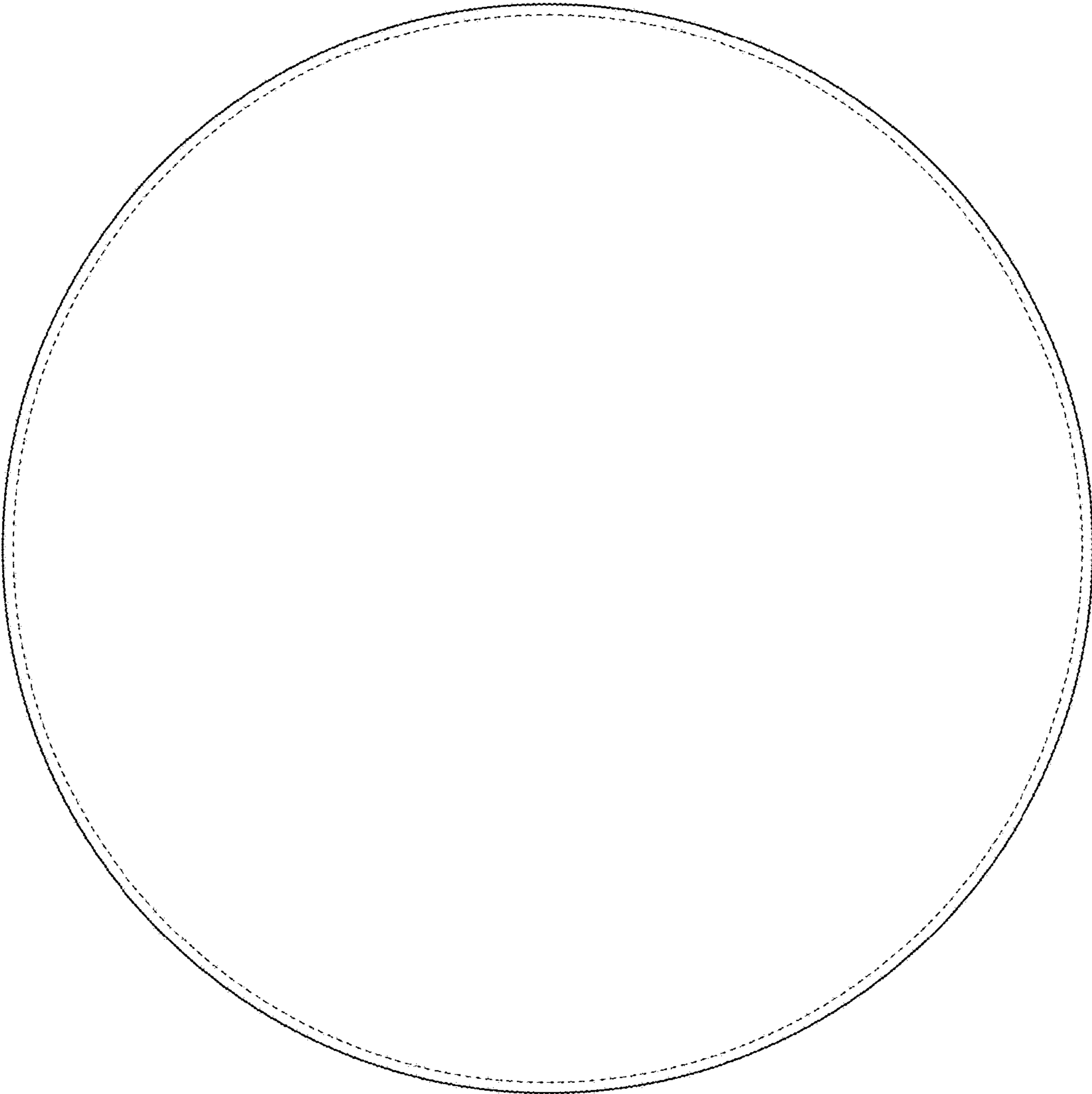


FIG. 2





**FIG. 3**



**FIG. 4**



FIG. 5

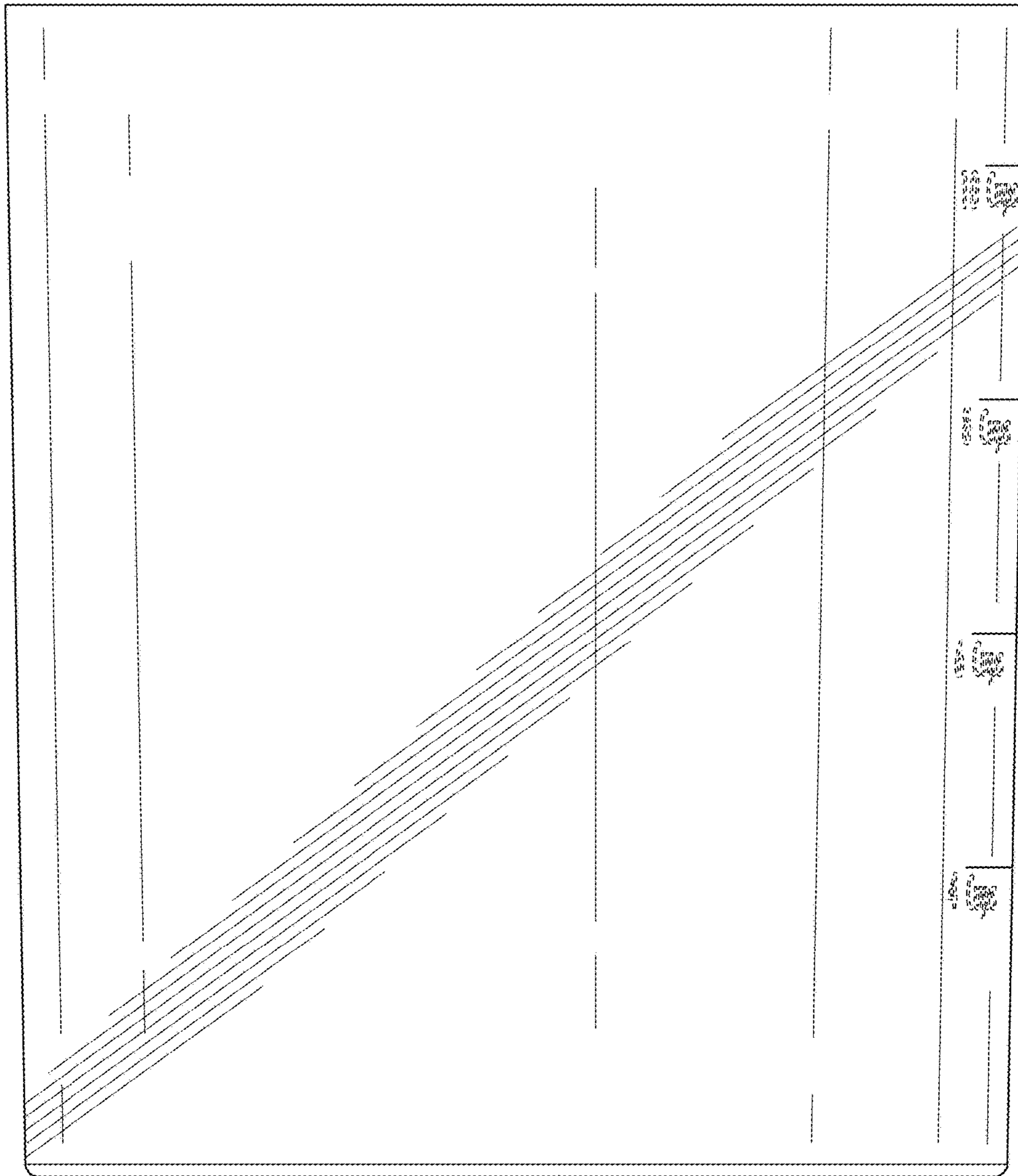


FIG. 6



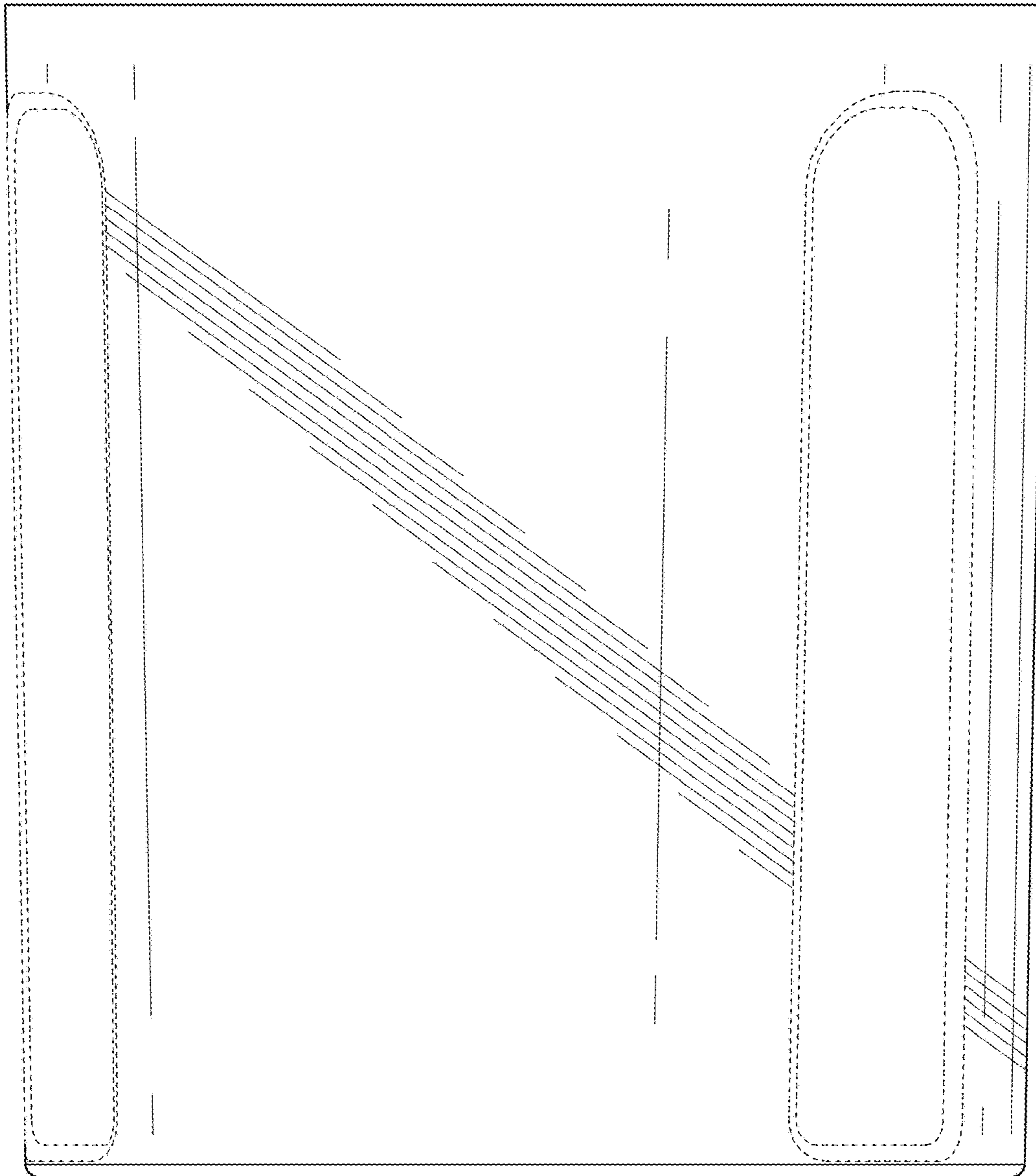


FIG. 7

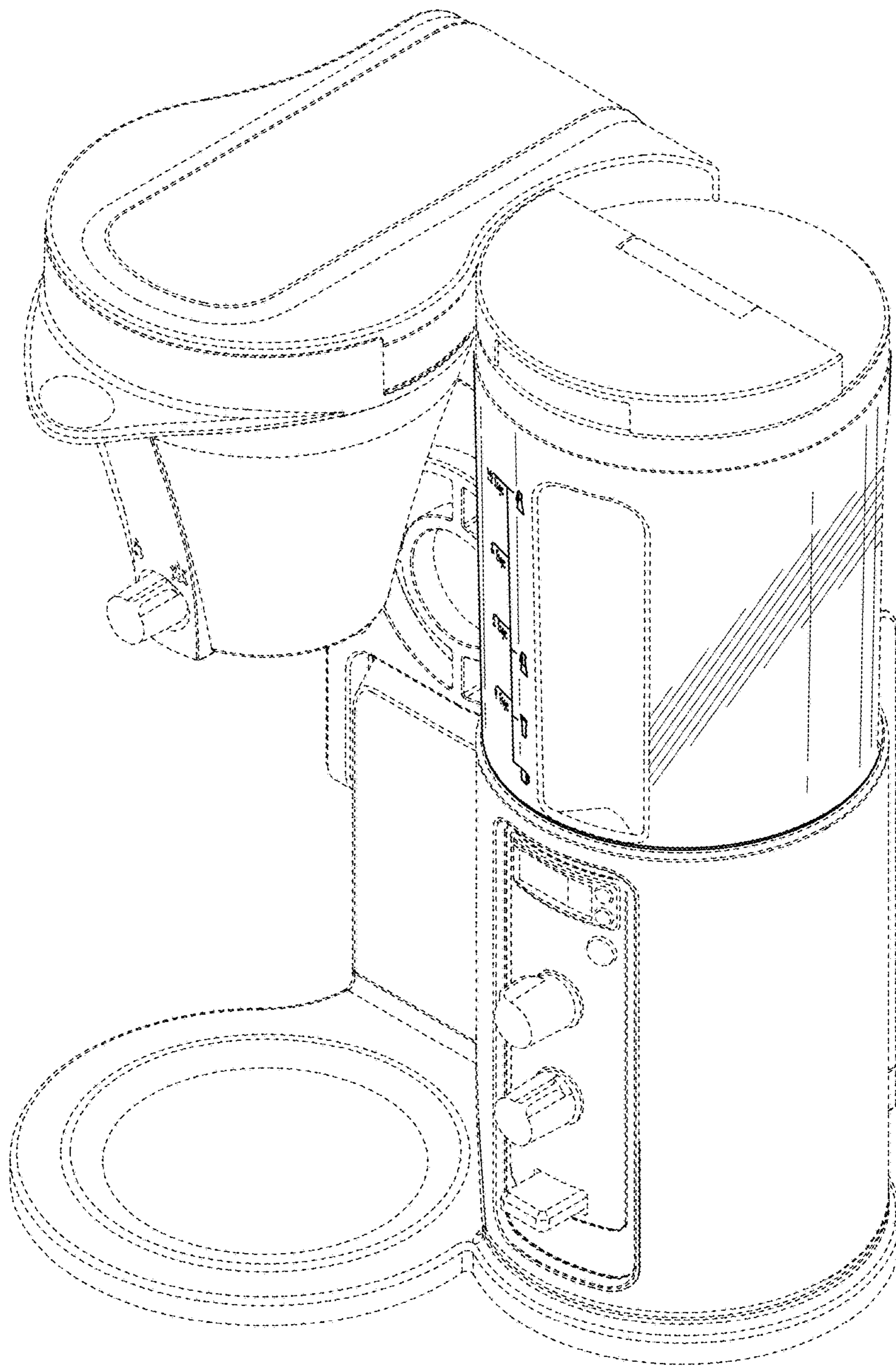
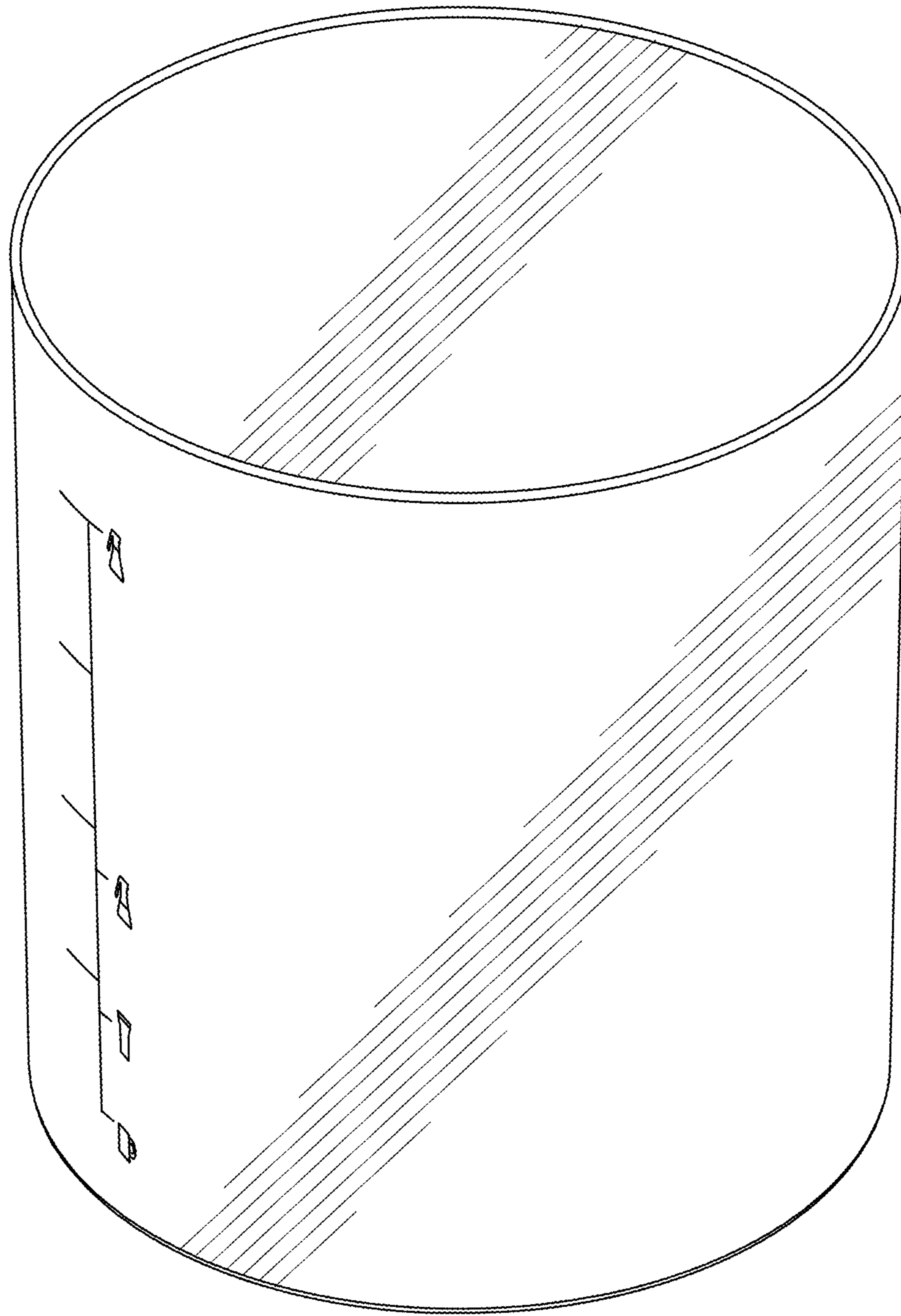


FIG. 8



**FIG. 9**

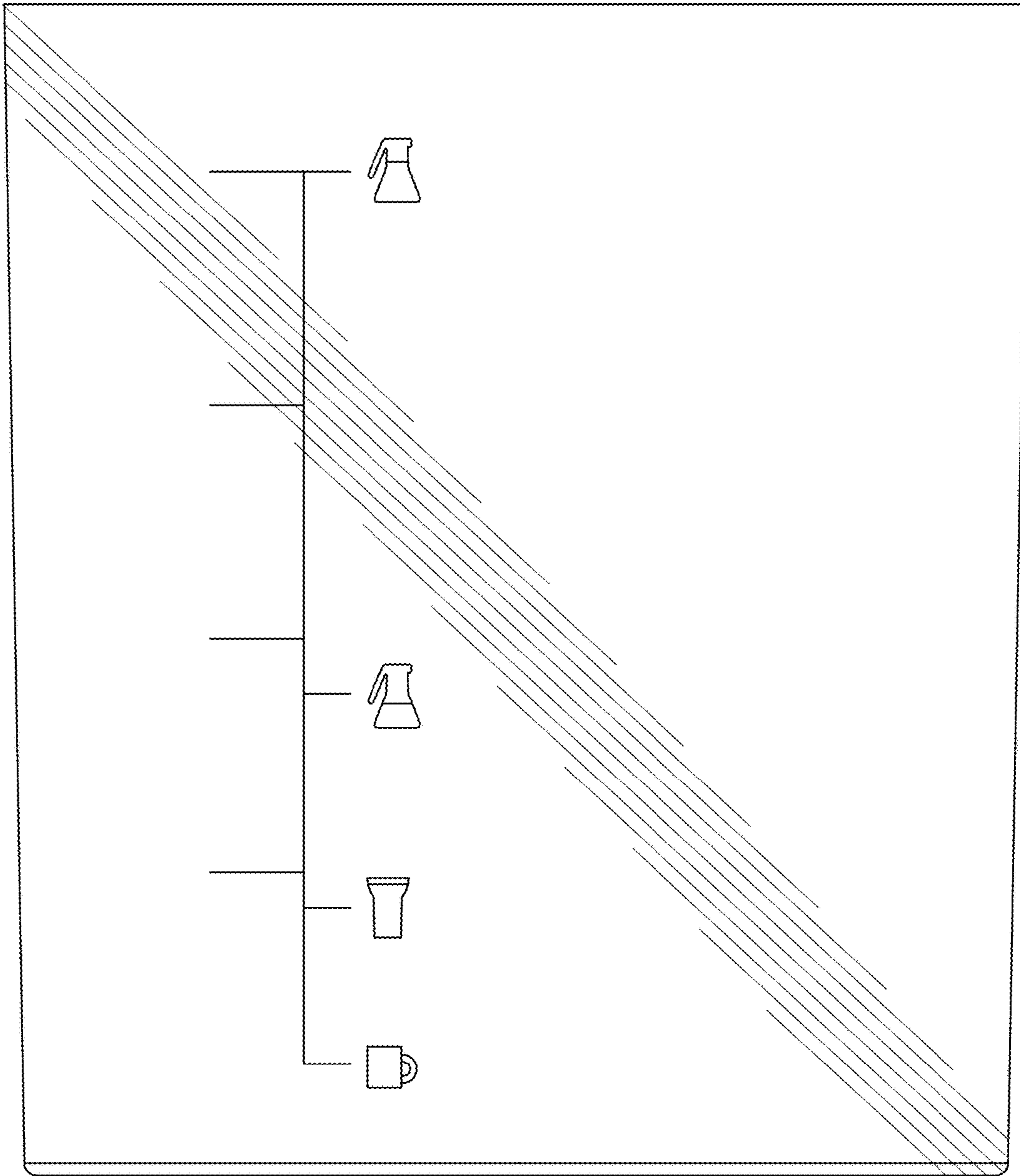
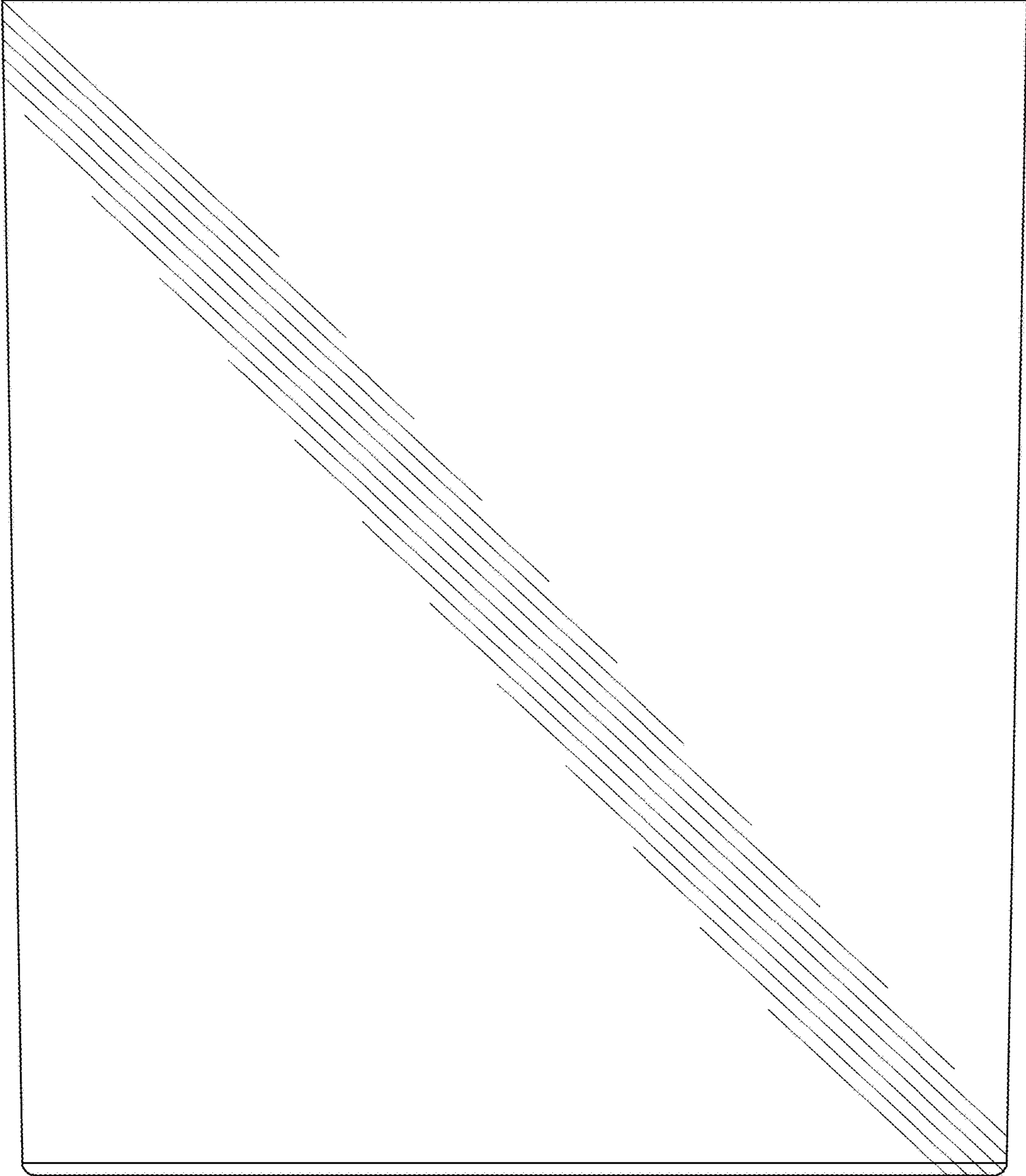
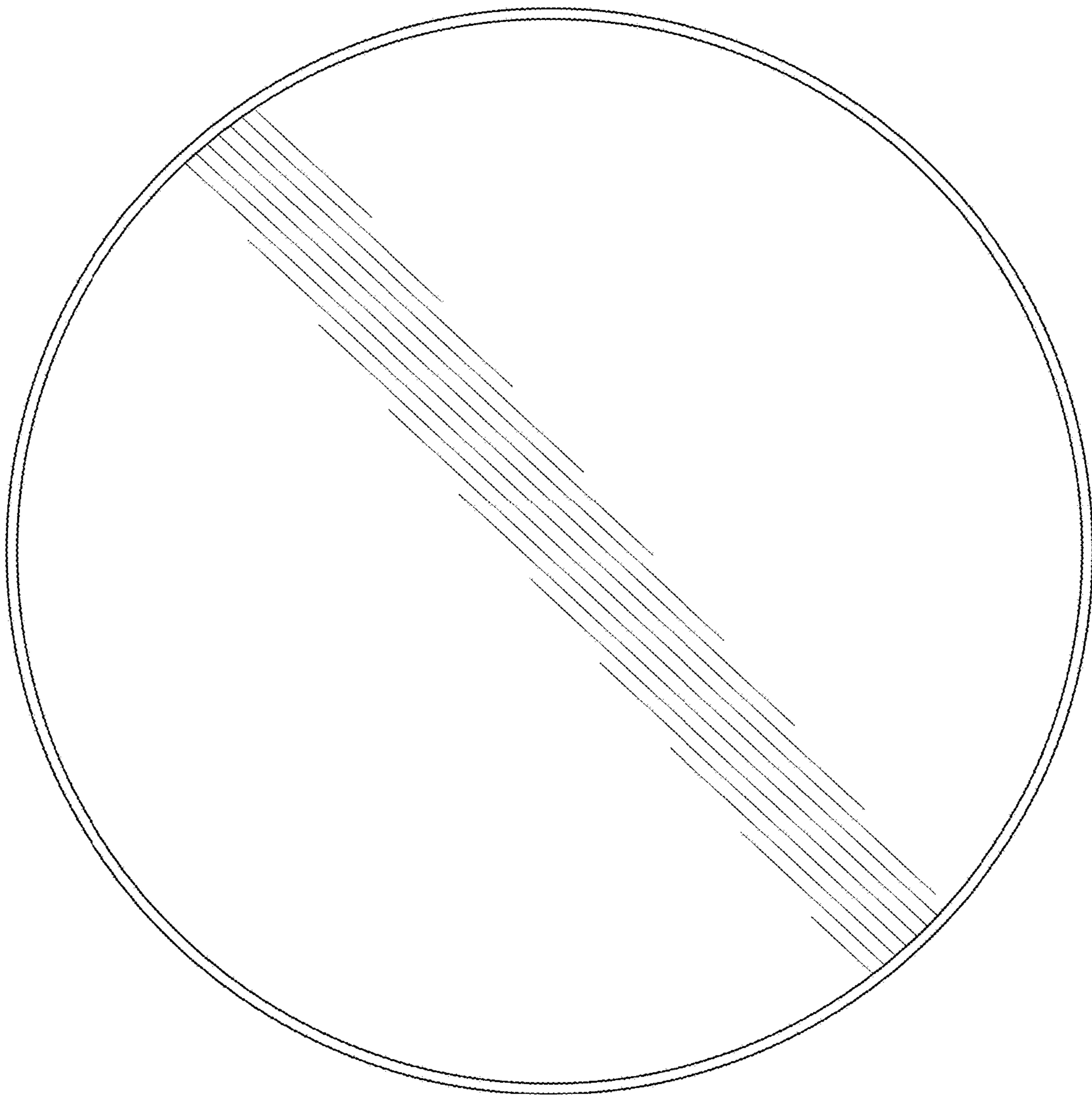


FIG. 10



**FIG. 11**





**FIG. 12**

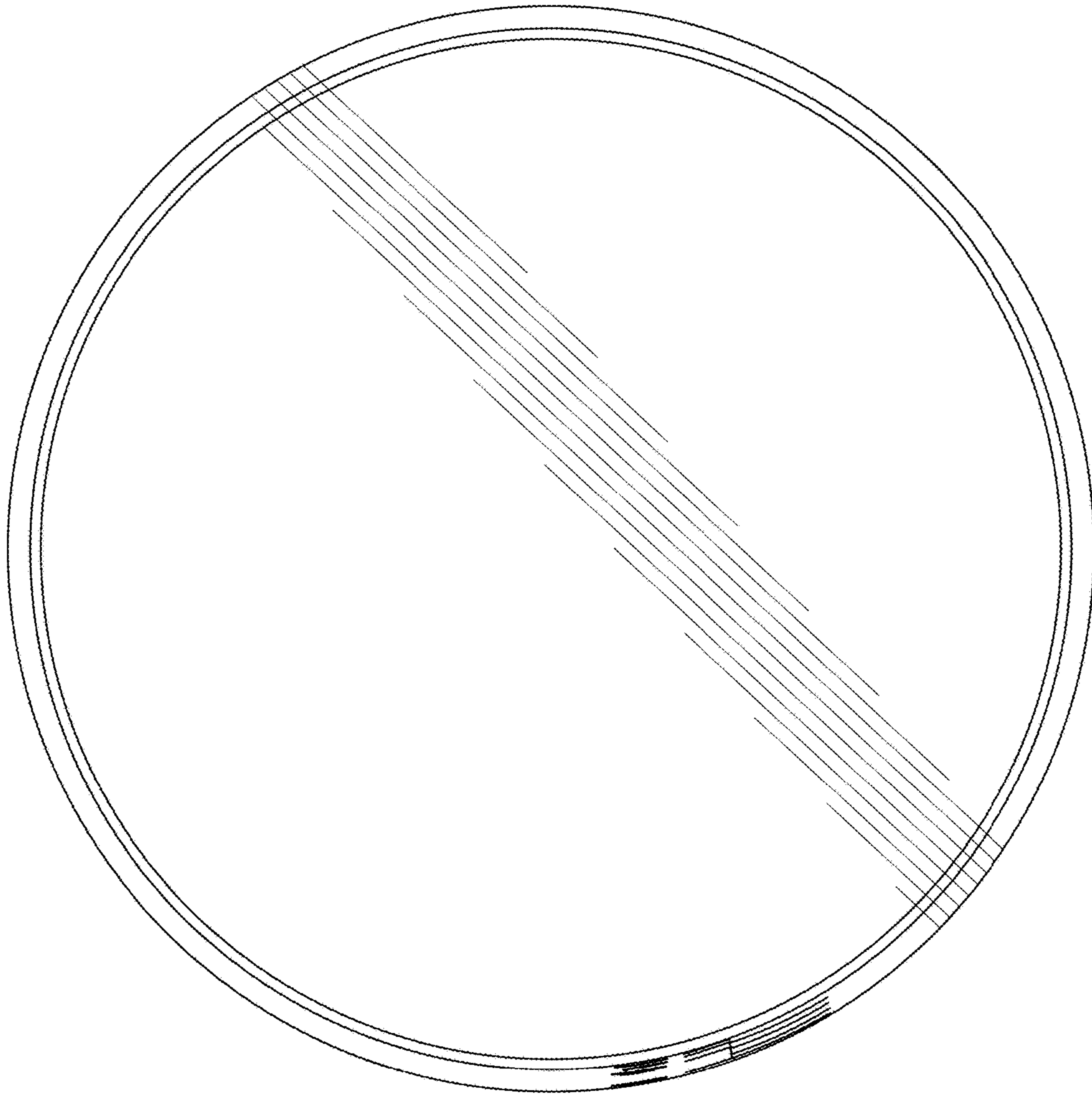
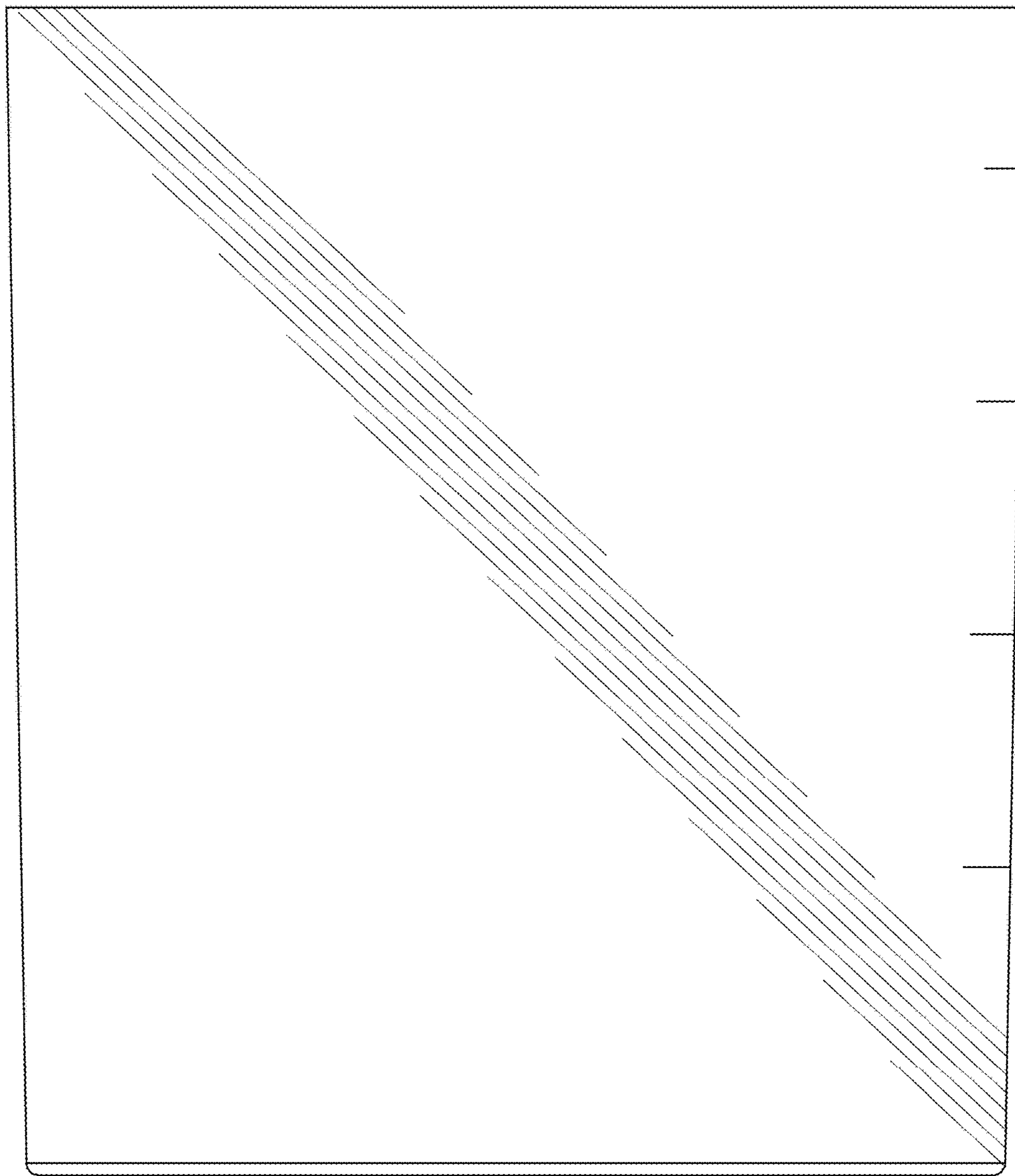
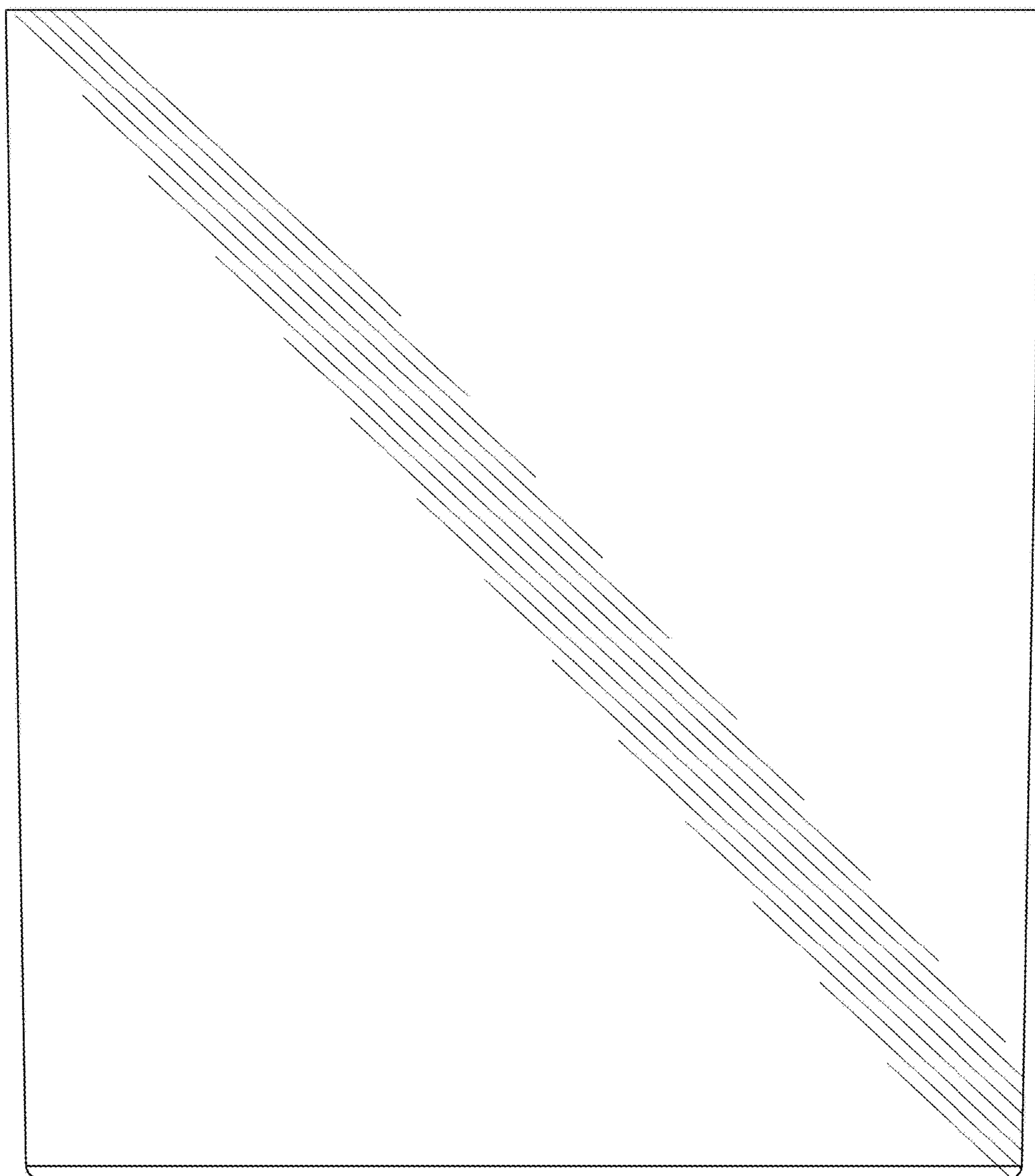


FIG. 13



**FIG. 14**



**FIG. 15**