



US00D819396S

(12) **United States Design Patent** (10) **Patent No.:** **US D819,396 S**
Seiders et al. (45) **Date of Patent:** **** Jun. 5, 2018**

(54) **LID**

FOREIGN PATENT DOCUMENTS

(71) Applicant: **YETI Coolers, LLC**, Austin, TX (US)

CN 301110494 1/2010
CN 303528321 12/2015

(72) Inventors: **Roy Joseph Seiders**, Austin, TX (US);
Derek G. Sullivan, Austin, TX (US);
Andy Bondhus, Austin, TX (US); **Evan Goldberg**, Austin, TX (US)

(Continued)

(73) Assignee: **YETI Coolers, LLC**, Austin, TX (US)

OTHER PUBLICATIONS

(**) Term: **15 Years**

“Review: Yeti Heavy-Duty Rambler Bottles”. Found online Jun. 12, 2017 at gearjunkie.com. Page dated Apr. 1, 2016. Retrieved from <https://gearjunkie.com/yeti-rambler-water-bottle-review>.*

(Continued)

(21) Appl. No.: **29/568,691**

Primary Examiner — Robert M. Spear

(22) Filed: **Jun. 20, 2016**

Assistant Examiner — Kendra Leslie Hamilton

(51) **LOC (11) Cl.** **07-01**

(74) *Attorney, Agent, or Firm* — Banner & Witcoff, Ltd.

(52) **U.S. Cl.**

(57) **CLAIM**

USPC **D7/392.1**; D9/443

The ornamental design for a lid, as shown and described.

(58) **Field of Classification Search**

DESCRIPTION

USPC D7/391, 392, 392.1, 396.1, 396.2, 397,
D7/509, 510, 543; D9/435, 443, 446,
D9/447, 516

FIG. 1 is a top, front, right perspective view of a lid showing our new design;

CPC B65D 47/122; B65D 41/04; B65D
2543/0092

FIG. 2 is a front view thereof;

See application file for complete search history.

FIG. 3 is a rear view thereof;

FIG. 4 is a right side view thereof;

(56) **References Cited**

U.S. PATENT DOCUMENTS

D109,331 S 4/1938 McManus et al.
D154,378 S 7/1949 Fuller
D177,761 S 5/1956 Reinhardt
D192,192 S 2/1962 Tupper
D224,646 S 8/1972 Vollquartz
D235,303 S 6/1975 Boucher
4,090,660 A 5/1978 Schram et al.
4,202,459 A 5/1980 DeParales et al.
D256,651 S 9/1980 Leung et al.
4,408,703 A 10/1983 Libit
D279,346 S 6/1985 Ruxton

FIG. 5 is a left side view thereof;

FIG. 6 is a top view thereof;

FIG. 7 is a bottom view thereof;

FIG. 8 is a top, front, right perspective exploded view of the lid of FIG. 1;

FIG. 9 is a front exploded view thereof;

FIG. 10 is a rear exploded view thereof;

FIG. 11 is a right exploded view thereof;

FIG. 12 is a left exploded view thereof;

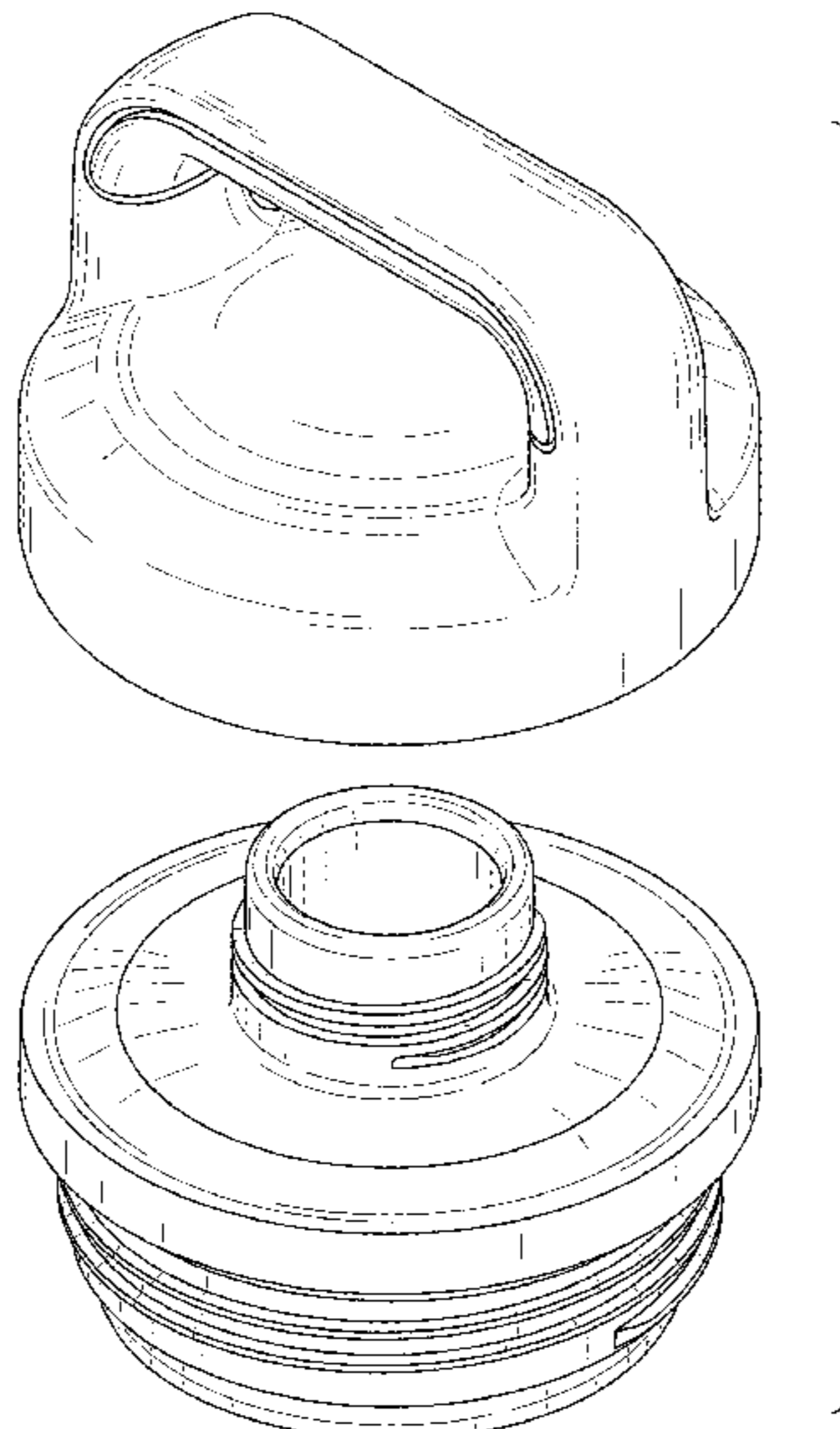
FIG. 13 is a top exploded view thereof; and,

FIG. 14 is a bottom exploded view thereof.

The broken lines in the drawings depict portions of the lid that form no part of the claimed design.

(Continued)

1 Claim, 11 Drawing Sheets



(56)

References Cited

U.S. PATENT DOCUMENTS

D281,567 S	12/1985	Zimmermann	D626,416 S	11/2010	Cresswell et al.
D286,604 S	11/1986	Bierlein et al.	D627,600 S	11/2010	Eyal
D286,847 S	11/1986	Zimmermann	D627,601 S	11/2010	Eyal
D287,211 S	12/1986	Weiss	D627,602 S	11/2010	Eyal
D290,678 S	7/1987	Johnson et al.	D627,604 S	11/2010	Eyal
D305,871 S	2/1990	Geiger	D628,486 S	12/2010	Lane
D332,379 S	1/1993	Murphy	D629,689 S	12/2010	Cresswell et al.
D354,915 S	1/1995	Schneider et al.	D629,690 S	12/2010	Cresswell et al.
D363,666 S	10/1995	Goto et al.	D629,691 S	12/2010	Cresswell et al.
D368,224 S	3/1996	Arndt	D630,474 S	1/2011	Gilbert
D381,906 S	8/1997	Bartsch	D630,475 S	1/2011	Lu
D391,450 S	3/1998	Rausch	D631,666 S	2/2011	Lim et al.
D398,193 S	9/1998	Sanchez	D633,338 S	3/2011	Rosbach et al.
D405,650 S	2/1999	Meier	D633,794 S	3/2011	Cresswell et al.
D411,742 S	6/1999	Kokenge et al.	D633,795 S	3/2011	Cresswell et al.
D415,395 S	10/1999	Hunt et al.	D633,796 S	3/2011	Cresswell et al.
D422,916 S	4/2000	Herrmann	D633,797 S	3/2011	Cresswell et al.
D437,556 S	2/2001	Holliday et al.	D635,457 S	4/2011	Lane
D456,669 S	5/2002	Munari	D635,856 S	4/2011	Lauret
D458,133 S	6/2002	Berish et al.	D638,695 S	5/2011	Woodrow et al.
D458,134 S	6/2002	Berish et al.	D638,708 S	5/2011	Walsh
D466,814 S	12/2002	Hurlburt	D639,164 S	6/2011	Walsh
D479,800 S *	9/2003	McRae D9/443	D639,661 S	6/2011	Llerena
D482,607 S	11/2003	McRae	D639,663 S	6/2011	Llerena
D485,759 S	1/2004	Janky et al.	D641,591 S	7/2011	Tsukida
D494,425 S	8/2004	Segura	D643,245 S	8/2011	Minarsch
D502,052 S	2/2005	Meade	D644,060 S	8/2011	Komeiji
D504,796 S	5/2005	Schuler et al.	D644,062 S	8/2011	Lorenz
D521,866 S	5/2006	Hicks et al.	D647,753 S	11/2011	Lin
D524,909 S	7/2006	Bakke et al.	D651,847 S	1/2012	Gilbert
D525,518 S	7/2006	Baldwin	D652,255 S	1/2012	Carland
D536,929 S	2/2007	Kingsley	D652,682 S	1/2012	Eyal
D544,749 S	6/2007	Seum et al.	D654,762 S	2/2012	Gilbert
D548,082 S	8/2007	Kingsley	D655,134 S	3/2012	Gilbert
D552,926 S	10/2007	Yelland	D655,570 S	3/2012	Meehan
D553,914 S	10/2007	Wahl	D655,581 S	3/2012	Kotani
D554,000 S	10/2007	Walsh	D655,967 S	3/2012	Bodum
D554,503 S	11/2007	Kerman et al.	D657,196 S	4/2012	Beyers, III
D554,993 S	11/2007	Kerman et al.	D658,064 S	4/2012	Barnes et al.
D561,470 S	2/2008	Jalet	D658,445 S	5/2012	Carreno
D564,363 S	3/2008	Rhea	D659,007 S	5/2012	Pape
D568,740 S	5/2008	Williams	D660,084 S	5/2012	Gilbert
D572,585 S	7/2008	Perrin et al.	D662,360 S	6/2012	George
D584,623 S	1/2009	Chupak	8,215,511 B1 *	7/2012	Lin B65D 51/242 215/228
D587,533 S	3/2009	Carreno	D664,809 S	8/2012	Eyal
D601,436 S	10/2009	Stephens et al.	D665,621 S	8/2012	Eyal
D603,331 S	11/2009	Schupp	D666,052 S	8/2012	Trombly
D603,722 S	11/2009	Reimer	D667,263 S	9/2012	Gilbert et al.
D604,181 S	11/2009	Reimer	D668,913 S	10/2012	Mayer
D604,561 S	11/2009	Chisholm	8,276,776 B2	10/2012	Roth et al.
D605,040 S	12/2009	Fry et al.	D672,238 S	12/2012	Aziz et al.
D605,060 S	12/2009	Reimer	D672,609 S	12/2012	Aziz et al.
D608,140 S	1/2010	Gilbert	D674,663 S	1/2013	Cahen
D608,195 S	1/2010	Germann	D675,100 S	1/2013	Herbst
D609,567 S	2/2010	Komet et al.	D676,764 S	2/2013	Moore et al.
D611,346 S	3/2010	Camomile	D677,119 S	3/2013	Ying
D612,235 S	3/2010	Cresswell et al.	D678,772 S	3/2013	Johnson et al.
D614,918 S	5/2010	Chisholm	D680,389 S	4/2013	Zemel et al.
D615,360 S *	5/2010	Joy D7/510	D684,059 S	6/2013	Johnson et al.
D615,816 S	5/2010	Joy et al.	D684,813 S	6/2013	Eyal
D616,703 S	6/2010	Joy et al.	D686,078 S	7/2013	Johnson et al.
D616,743 S	6/2010	Cresswell et al.	D688,093 S	8/2013	Roth et al.
D616,744 S	6/2010	Cresswell et al.	D691,416 S	10/2013	Eyal
D618,500 S	6/2010	Hardaway	D692,756 S	11/2013	McClellan et al.
D619,457 S	7/2010	Walsh	D693,698 S	11/2013	Miller, Jr.
D619,458 S	7/2010	Walsh	D695,138 S	12/2013	Ball
D619,459 S	7/2010	Walsh	D696,945 S	1/2014	Newman
D620,798 S	8/2010	Cresswell et al.	D697,404 S	1/2014	Johnson et al.
D621,257 S	8/2010	Gullickson et al.	D698,668 S	2/2014	Vaughn
D621,258 S *	8/2010	Gullickson D9/443	D701,464 S	3/2014	Ogata et al.
D622,089 S	8/2010	Daniel et al.	D702,092 S	4/2014	Mettler et al.
D622,145 S	8/2010	Walsh	D702,506 S	4/2014	Mettler et al.
D623,475 S	9/2010	Aarnoudse et al.	D708,954 S	7/2014	Barnes et al.
D623,896 S *	9/2010	Wahl D7/392.1	D709,734 S	7/2014	Kotani
D626,414 S	11/2010	Cresswell et al.	D712,254 S	9/2014	Geis et al.
			D712,255 S	9/2014	Geis et al.
			D713,268 S	9/2014	Jones et al.
			D713,365 S	9/2014	Green

(56)

References Cited

U.S. PATENT DOCUMENTS

D715,100	S	10/2014	Eyal	
D717,102	S	11/2014	Taketani et al.	
D717,115	S	11/2014	Lane et al.	
D721,540	S	1/2015	Grcic	
D724,385	S	3/2015	Hurley et al.	
D728,315	S	5/2015	Bo	
D728,995	S	5/2015	Barberi	
D729,579	S	5/2015	Molayem	
D729,584	S	5/2015	Weston et al.	
D732,337	S	6/2015	Coon et al.	
D732,402	S	6/2015	Jones et al.	
D734,154	S	7/2015	Johnson et al.	
D735,578	S	8/2015	Mazurkiewicz et al.	
D741,655	S	10/2015	Whelan et al.	
D743,742	S	11/2015	Rummel et al.	
D744,781	S	12/2015	Rummel et al.	
D747,199	S	1/2016	Phillips	
D751,340	S	3/2016	Seiders et al.	
D751,341	S	3/2016	Seiders et al.	
D752,381	S	3/2016	Wahl	
D754,472	S	4/2016	Munari	
D755,561	S *	5/2016	Eyal	D7/392.1
D756,701	S *	5/2016	Mettler	D7/392.1
D758,859	S *	6/2016	Sorensen	D7/393
D760,080	S	6/2016	Gorbald	
D760,586	S	7/2016	Seiders et al.	
D761,618	S	7/2016	Lapsker	
D764,869	S	8/2016	Smrtnik et al.	
D764,916	S *	8/2016	Mount, III	D9/443
D766,085	S	9/2016	Smith	
D772,651	S	11/2016	Leonard et al.	
D774,363	S	12/2016	Seiders et al.	
D777,508	S	1/2017	Goodwin et al.	
D779,872	S	2/2017	Bergstrom	
D780,577	S	3/2017	Seiders et al.	
D781,145	S	3/2017	Seiders et al.	
D781,146	S *	3/2017	Seiders	D7/392.1
D782,881	S	4/2017	Seiders et al.	
D783,367	S	4/2017	Seiders et al.	
D783,368	S	4/2017	Seiders et al.	
D786,671	S *	5/2017	Khetarpaul	D7/394
D788,544	S	6/2017	Seiders et al.	
D790,285	S	6/2017	Seiders et al.	
2008/0078787	A1 *	4/2008	Yelland	A45F 3/16 224/148.1
2010/0288782	A1	11/2010	Lin	
2011/0114655	A1	5/2011	Bailey	
2011/0186585	A1	8/2011	Lu	
2012/0125931	A1	5/2012	Roth et al.	
2014/0251938	A1 *	9/2014	Rose	B65D 51/28 215/6
2014/0353275	A1	12/2014	Hung	
2017/0119212	A1	5/2017	Petrillo et al.	

FOREIGN PATENT DOCUMENTS

JP	1530358	8/2015
KR	300303813.0000	8/2002
KR	300751936.0000	7/2014
KR	300764889.0000	10/2014
WO	D088688-002	1/2016

OTHER PUBLICATIONS

“ETS Express: New Items in Stock”. Found online Jun. 12, 2017 at twitter.com. Page dated Jan. 21, 2015. Retrieved from <https://twitter.com/etsexpress/status/557997114589196288>.*

“Klean Kanteen Wide Mouth Water Bottle with Loop Cap”. Found online Oct. 12, 2016 at amazon.com. Page dated Dec. 5, 2009. Retrieved from https://www.amazon.com/Klean-Kanteen-Mouth-Water-Bottle/dp/B002VIZ6IU/ref=cm_cr_ar_p_d_product_top?ie=UTF8.*

“Sketch-a-Day: Water Bottles”. Found online Jun. 21, 2017 at sketch-a-day.com. Page dated Mar. 4, 2010. Retrieved from <http://www.sketch-a-day.com/posts/sketch-a-day-95-water-bottles/>.*

YETI 36 oz. Rambler: Announced Jan. 11, 2016 [online], site visited [May 10, 2016]. Available from Internet URL: <http://yeticoolers.com/rambler-bottle-36-oz/>.

KOLD Vacuum Insulated Stainless Steel Sports Bottle: Announced Dec. 8, 2015 [online], site visited [May 11, 2016]. Available from Internet URL: <http://www.amazon.com/KOLD-Sports-Water-Bottles-Insulated/dp/B018YH K79E/ref=cm>.

United States District Court Western District of Texas Austin Division, “Complaint for Damages and Injunctive Relief,” *YETI Coolers, LLC v. RTIC Coolers, LLC, RTIC Drinkware, LLC, and RTIC Web Services, LLC*, Case: 1:16-cv-00985, Document #1, filed Aug. 18, 2016, 27 pages.

United States District Court Western District of Texas Austin Division, “Defendants’ Motion to Dismiss Pursuant to Rule 12(b)(6),” *YETI Coolers, LLC v. RTIC Coolers, LLC, RTIC Drinkware, LLC, and RTIC Web Services, LLC*, Case: 1:16-cv-00985, Document #9, filed Sep. 23, 2016, 27 pages.

English translation of Office Action dated Nov. 1, 2016 for JP Application No. 2016-9605, 2 pages.

English translation of Office Action dated Nov. 1, 2016 for JP Application No. 2016-9606, 2 pages.

English translation of Office Action dated Oct. 4, 2016 for JP Application No. 2016-9607, 2 pages.

English translation of Office Action dated Oct. 4, 2016 for JP Application No. 2016-9608, 2 pages.

United States District Court Western District of Texas Austin Division, “Plaintiff YETI Coolers, LLC’s Original Complaint,” *YETI Coolers, LLC v. Ontel Products Corporation and World Pack USA, LLC*, Case: 1:17-cv-00091-RP, Document #1, filed Feb. 8, 2017, 65 pages.

United States District Court Western District of Texas Austin Division, “Defendants’ Answers and Defenses to Plaintiff’s Original Complaint,” *YETI Coolers, LLC v. Ontel Products Corporation and World Pack USA, LLC*, Case: 1:17-cv-00091-RP, Document #14, filed Feb. 21, 2017, 45 pages.

Yeti. Rambler. Jul. 19, 2016 [earliest online date], [site visited Apr. 7, 2017]. Available from internet, <URL: <http://yeti.com/rambler>>.

Amazon. YETI Rambler Bottle Replacement Cap. Mar. 23, 2017 [earliest online date], [site visited Apr. 7, 2017]. Available from Internet, <URL: <https://www.amazon.com/YETI-Rambler-Bottle-Replacement-Cap/dp/B01MZ6QIMY>>.

Outdoor Pro Shop. Yeti Rambler Bottles. May 27, 2016 {earliest online date}, [site visited Apr. 7, 2017]. Available from Internet, <URL: <https://www.outdoorproshop.com/Yeti-Rambler-Bottles-p/yeti-yrambtl.htmOu>>.

United States District Court Western District of Texas Austin Division, “Plaintiffs’ Complaint for Damages and Injunctive Relief,” *YETI Coolers, LLC v. Houssam Rabi d/b/a Hoo-Sizzy*, Case 1:17-cv-00418, Document 1, filed May 5, 2017, 37 pages.

United States District Court Western District of Texas Austin Division, “Plaintiffs’ Complaint for Damages and Injunctive Relief,” *YETI Coolers, LLC v. Seth Stevens d/b/a SDS Marketing d/b/a Eskimo Coolers, Panther Group LLC d/b/a Eskimo Coolers, Panther Group Sales, LLC d/b/a Eskimo Coolers, and Silver Fox Sales, LLC*, Case 1:17-cv-00423, Document 1, filed May 5, 2017, 77 pages.

“Bubba Brands Classic Insulated Travel Mug”. Found online Mar. 9, 2017 at amazon.com. Page dated Sep. 30, 2010. Retrieved from https://www.amazon.com/Bubba-Brands-1953403-Classic-Insulated/dp/B01FB7IG8Y/ref=cm_cr_ar_p_d_product_top?ie=UTF8.

“Bubba HERO Bottle Replacement Lid”. Found online Mar. 9, 2017 at amazon.com. Page dated Jan. 14, 2015. Retrieved from https://www.amazon.com/bubba-HERO-bottle-replacement-lid/dp/BOOQQYDI44/ref=cm_cr_ar_p_d_product_top?ie=UTF8.

“Contigo Extreme Stainless Steel Travel Mug”. Found online Mar. 9, 2017 at amazon.com. Page dated Sep. 13, 2016. Retrieved from https://www.amazon.com/Contigo-Extreme-Stainless-Insulated-Limited/dp/B01LZGBMKT/ref=pd_sim_79_3?_encoding=UTF8&psc=&refRID=A4VHP8EG6AKH3BG73BMZ.

(56)

References Cited

OTHER PUBLICATIONS

“Hydro Flask Wide Mouth Hydro Flip Lid”. Found online Mar. 9, 2017 at amazon.com. Page dated Oct. 9, 2012. Retrieved from http://www.amazon.com/Hydro-Flask-Wide-Mouth-Black/dp/B01GW2H430/ref=cm_cr_arp_d_product_top?ie=UTF8.

Hydro Flask. Hydro Flip. 2015 [earliest online date], [site visited Apr. 28, 2017]. Available from Internet, <URL:<https://www.hydroflask.com/hydro-flip#92=57>>.

Jane. Spill Resistant Flip Lid and Yeti Accessories. Dec. 5, 2016 [earliest online date], [site visited Apr. 28, 2017]. Available from Internet, <URL:<https://jane.com/deal/263319/spill-resistant-flip-lid-and-yeti-accessories-30oz-many-colors>>.

United States District Court Western District of Texas Austin Division, “Second Amended Complaint,” *YETI Coolers, LLC v. Sam’s West, Inc., and Sam’s East, Inc., and CY Top, Ltd.*, Case: 1:16-cv-00829-RP, Document #51, filed Sep. 22, 2017, 49 pages.

United States District Court Western District of Texas Austin Division, “Complaint,” *YETI Coolers, LLC v. Costco Wholesale Corporation*, Case: 1:17-cv-07025, Document #1, filed Sep. 28, 2017, 99 pages.

United States District Court Western District of Texas Austin Division, “Complaint,” *YETI Coolers, LLC v. Alibaba Group Holding Limited, Alibaba(China) Technology Co., Ltd., Alibaba.com*

Hong Kong Limited, Alibaba.com Singapore E-Commerce Private Limited, Hangzhou Alibaba Advertising Co. Ltd., and Huizhou Dashu Trading Co., Ltd., Case: 1:17-cv-00936, Document #1, filed Sep. 28, 2017, 272 pages.

United States District Court Western District of Texas Austin Division, “Complaint,” *YETI Coolers, LLC v. ContextLogic, Inc. d/b/a Wish.com*, Case: 1:17-cv-00937, Document #1, filed Sep. 28, 2017, 238 pages.

United States District Court Western District of Texas Austin Division, “Complaint,” *YETI Coolers, LLC v. Dunhuang Group, SZ Flowerfairy Technology Co., Ltd., Tan Er Pa Technology Co., Ltd., Shenzhen Great Electronic Technology Co., Ltd., and Huagong Trading Co.*, Case: 1:17-cv-00938, Document #1, filed Sep. 28, 2017, 272 pages.

United-States International Trade Commission of Washington, DC, “Complaint Under Section 337 of the Tariff Act of 1930, as Amended,” *YETI Coolers, LLC vs. Alibaba (China) Technology Co., Ltd., Alibaba Group Holding Limited, Alibaba.com Hong Kong Limited, Alibaba.com Singapore E-Commerce Private Limited, Bonanza.com, Inc., ContextLogic, Inc. d/b/a Wish, Dunhuang Group, Hangzhou Alibaba Advertising Co. Ltd., Huizhou Dashu Trading Co., Ltd., Huagong Trading Co., and Tan Er Pa Technology Co., Ltd.*, Case: 337-TA-3261, filed Sep. 28, 2017, 191 pages.

* cited by examiner

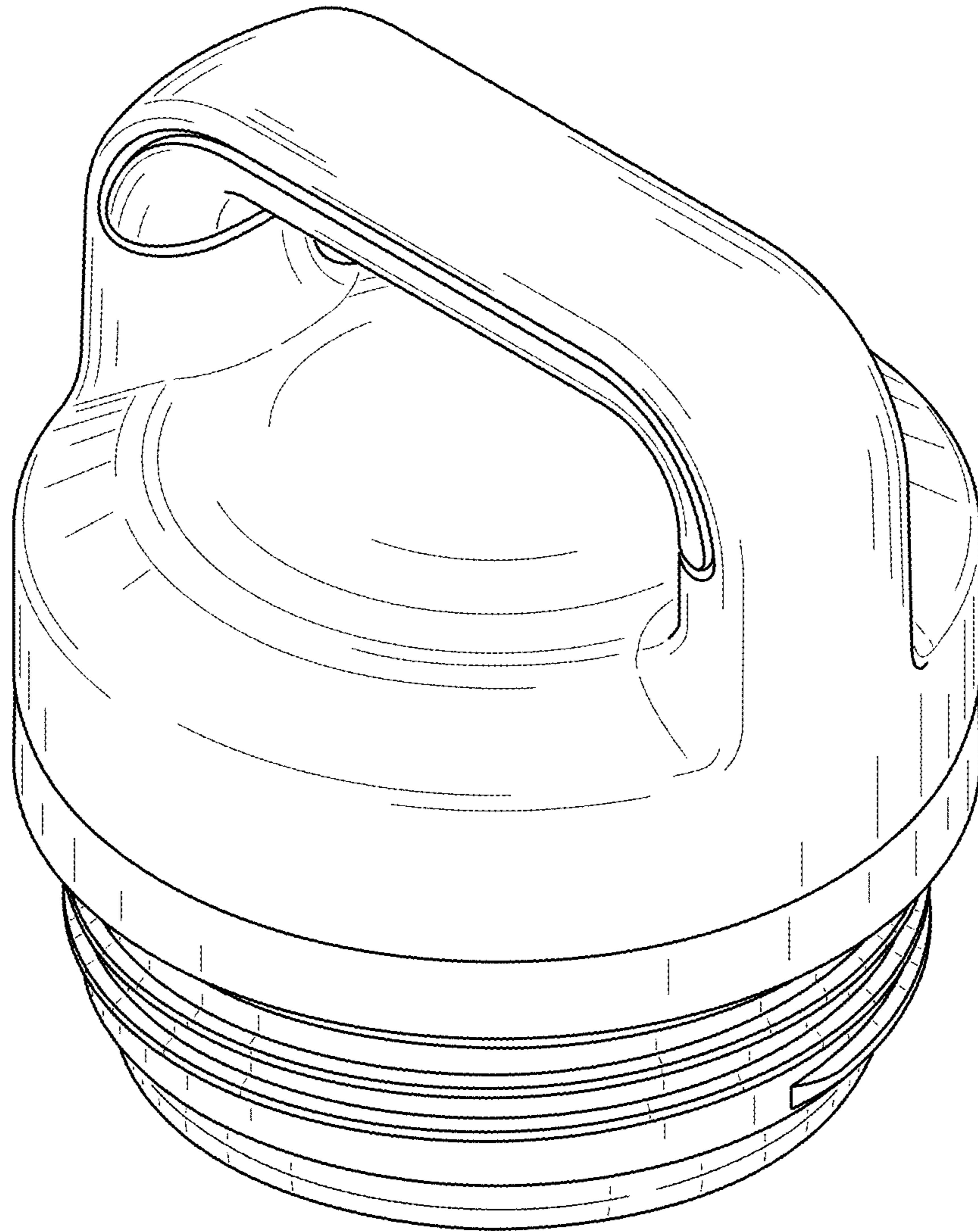


FIG. 1

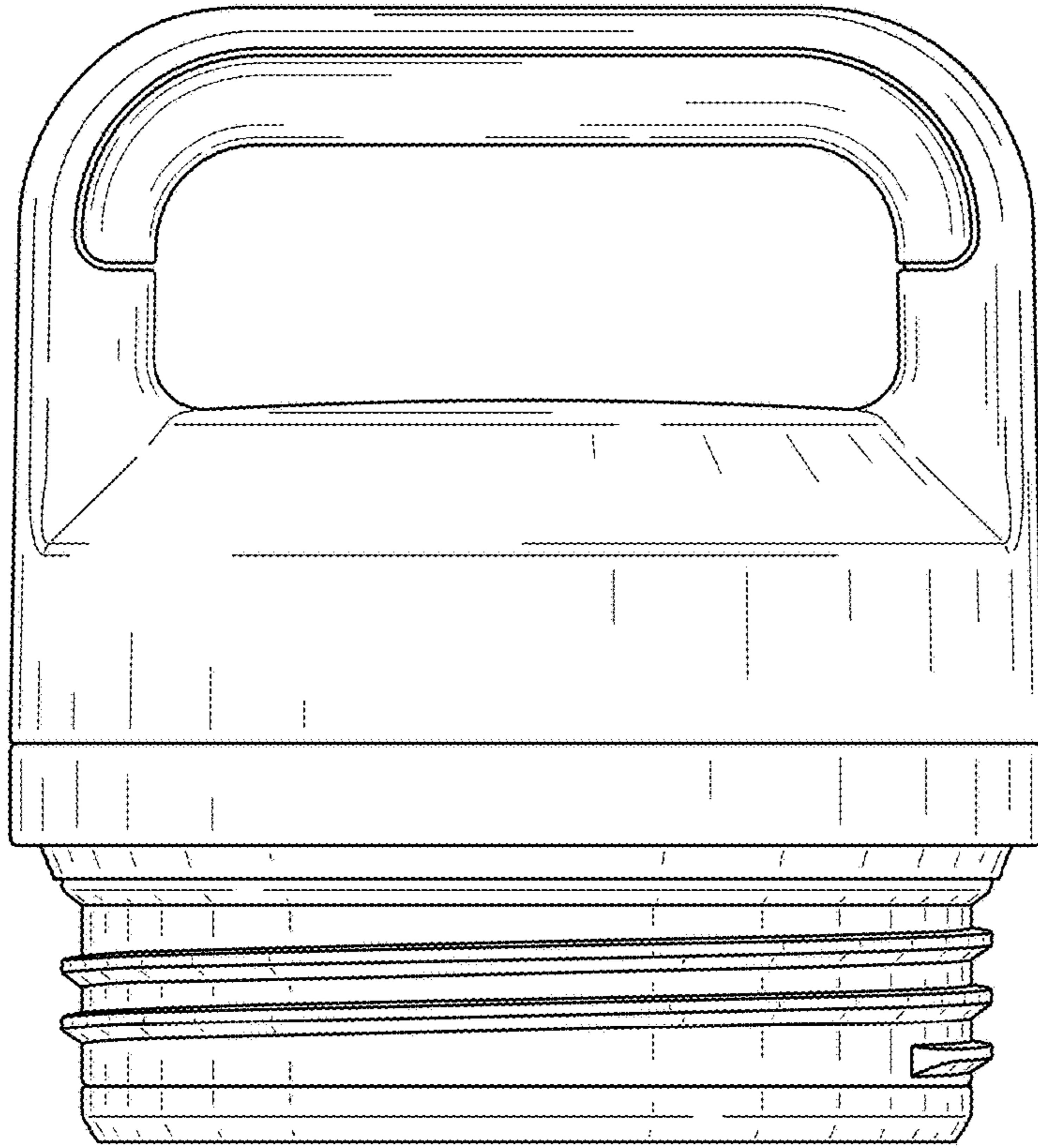


FIG. 2

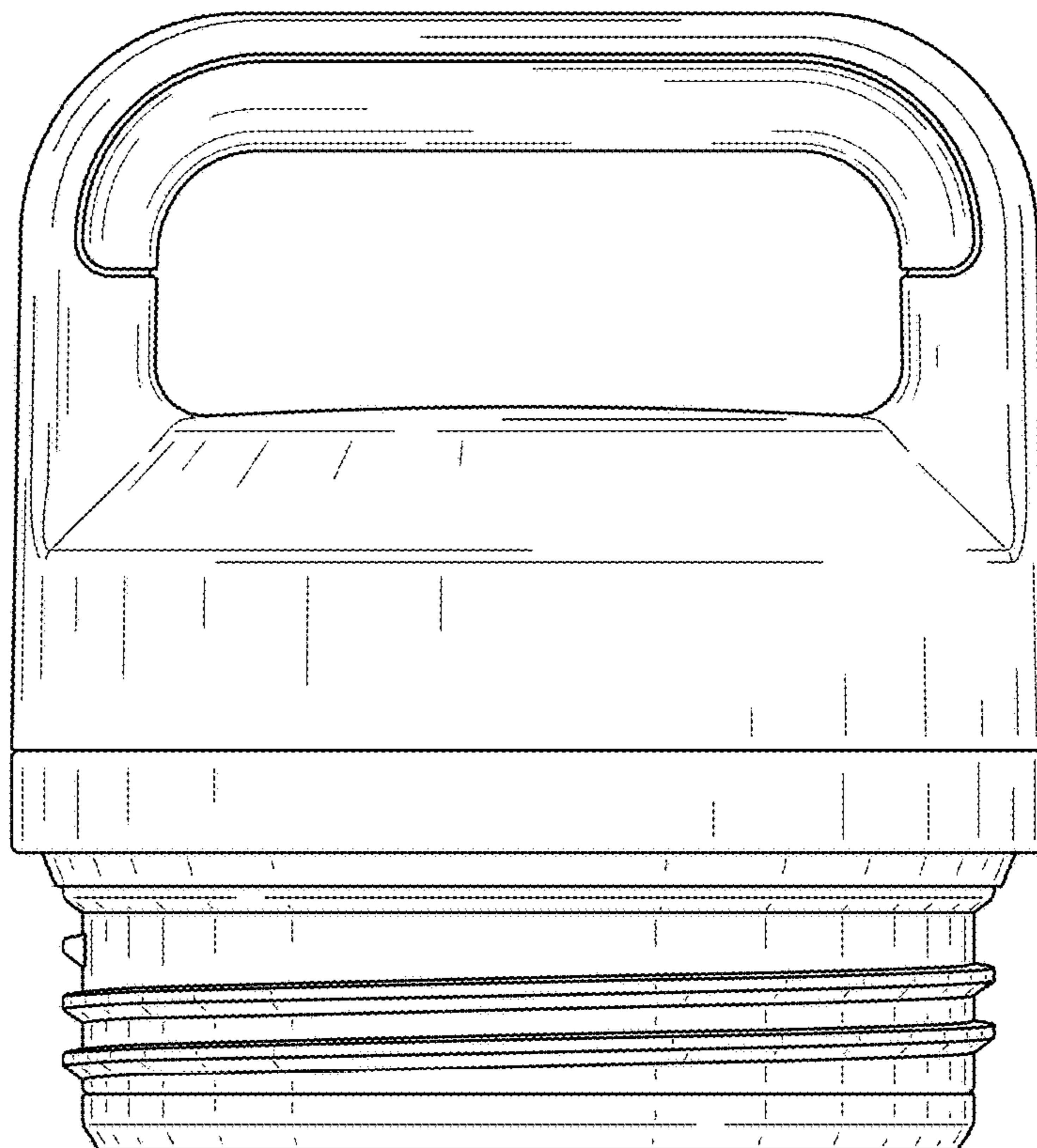


FIG. 3

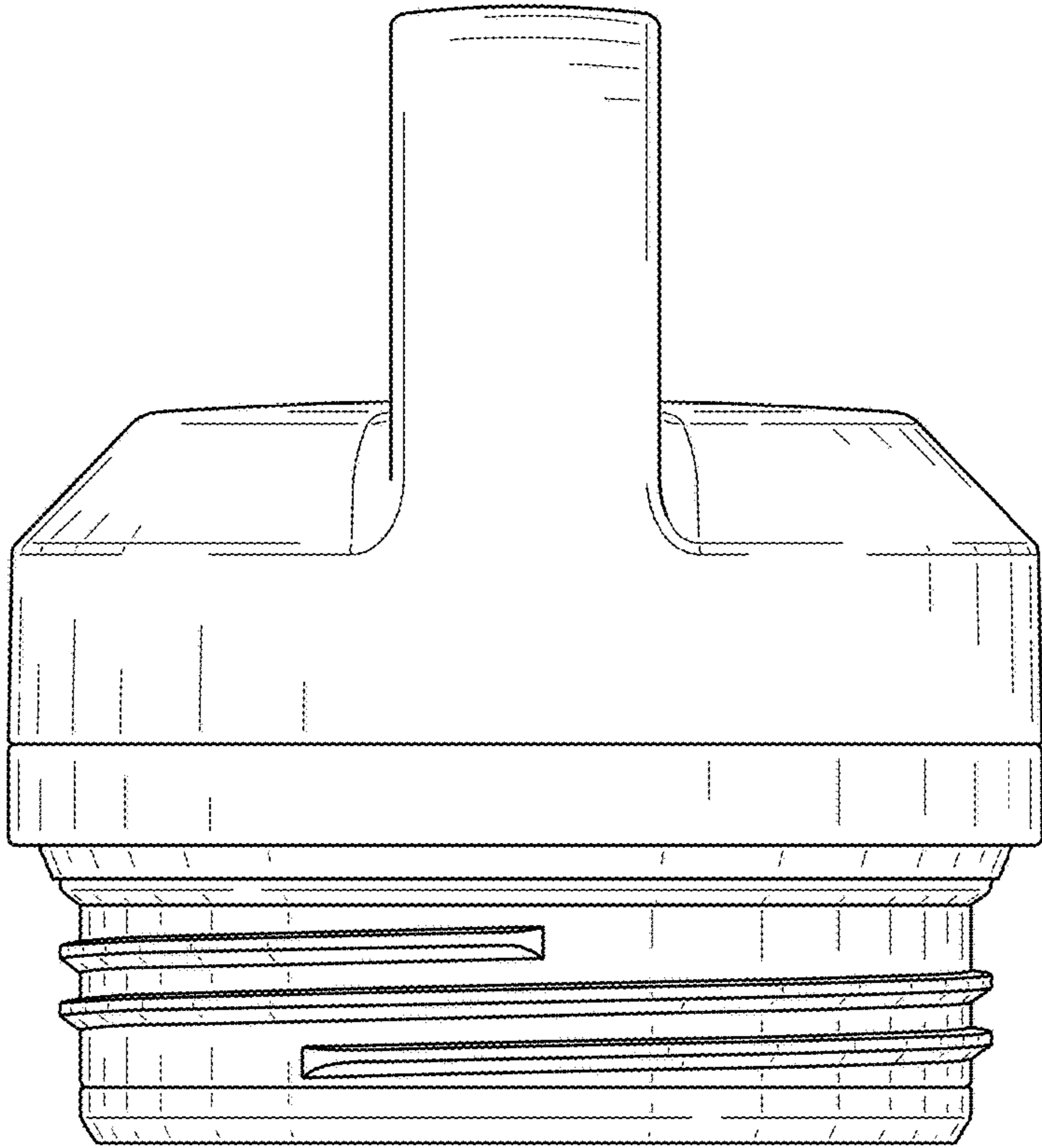


FIG. 4

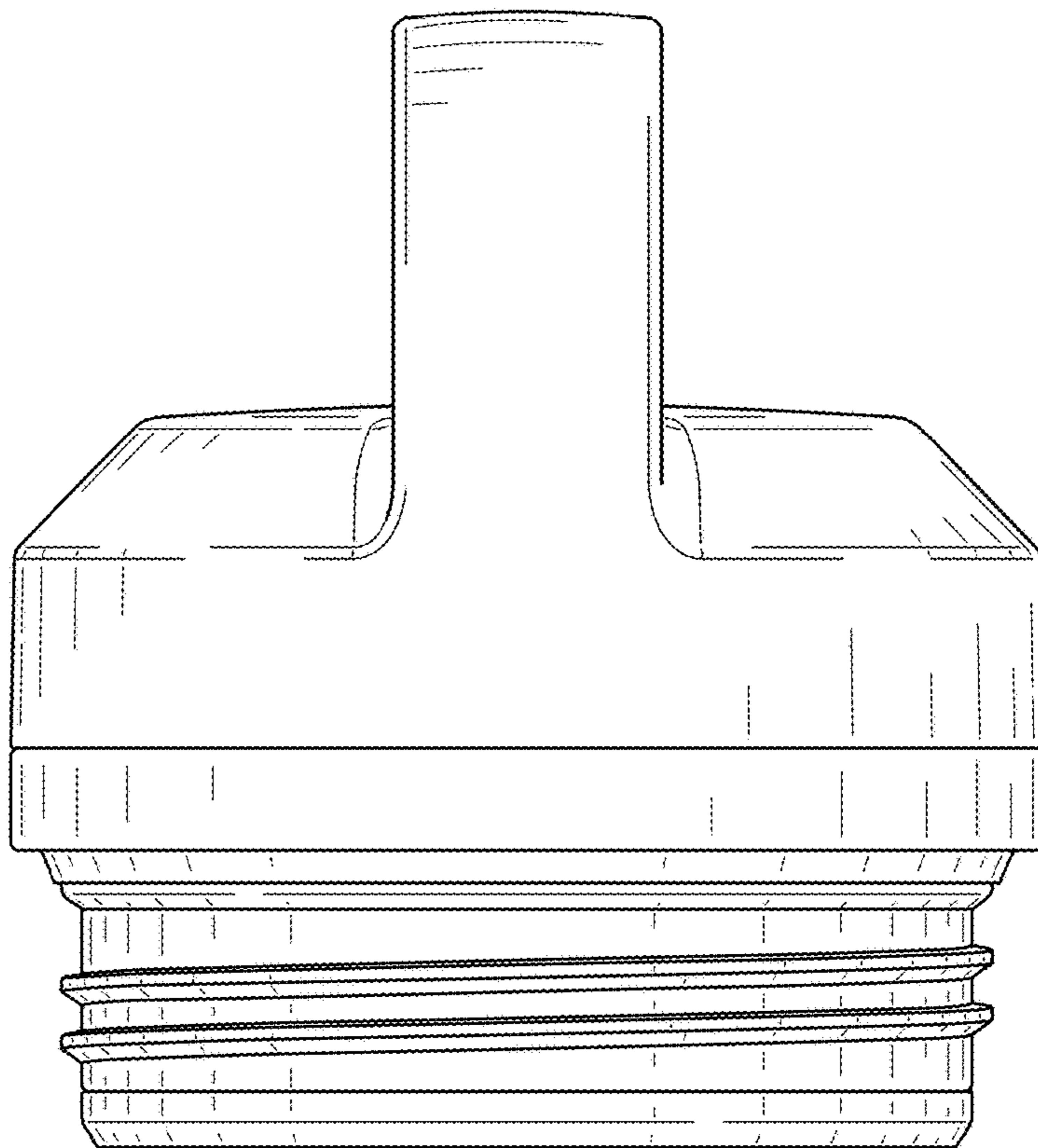


FIG. 5

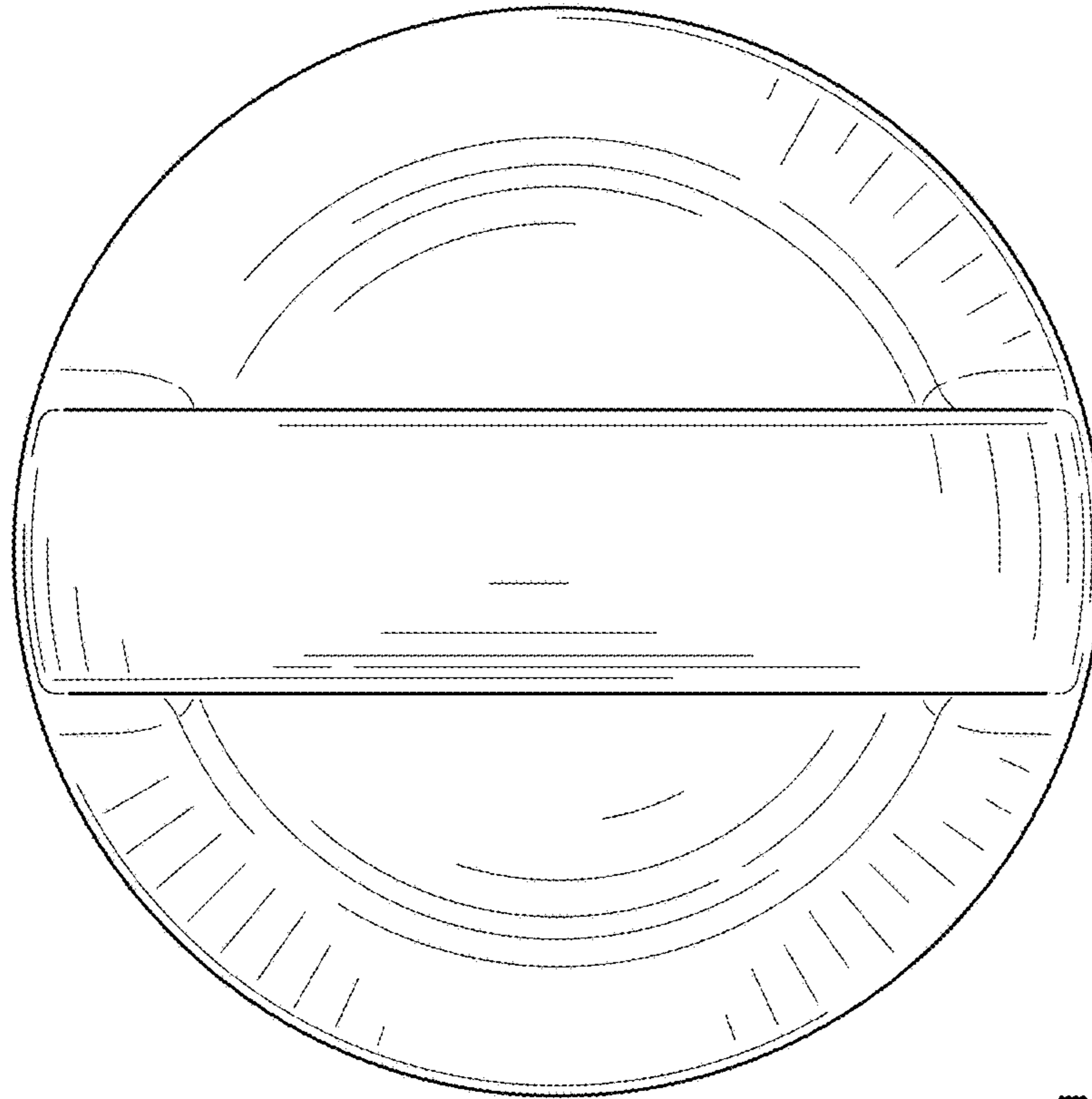


FIG. 6

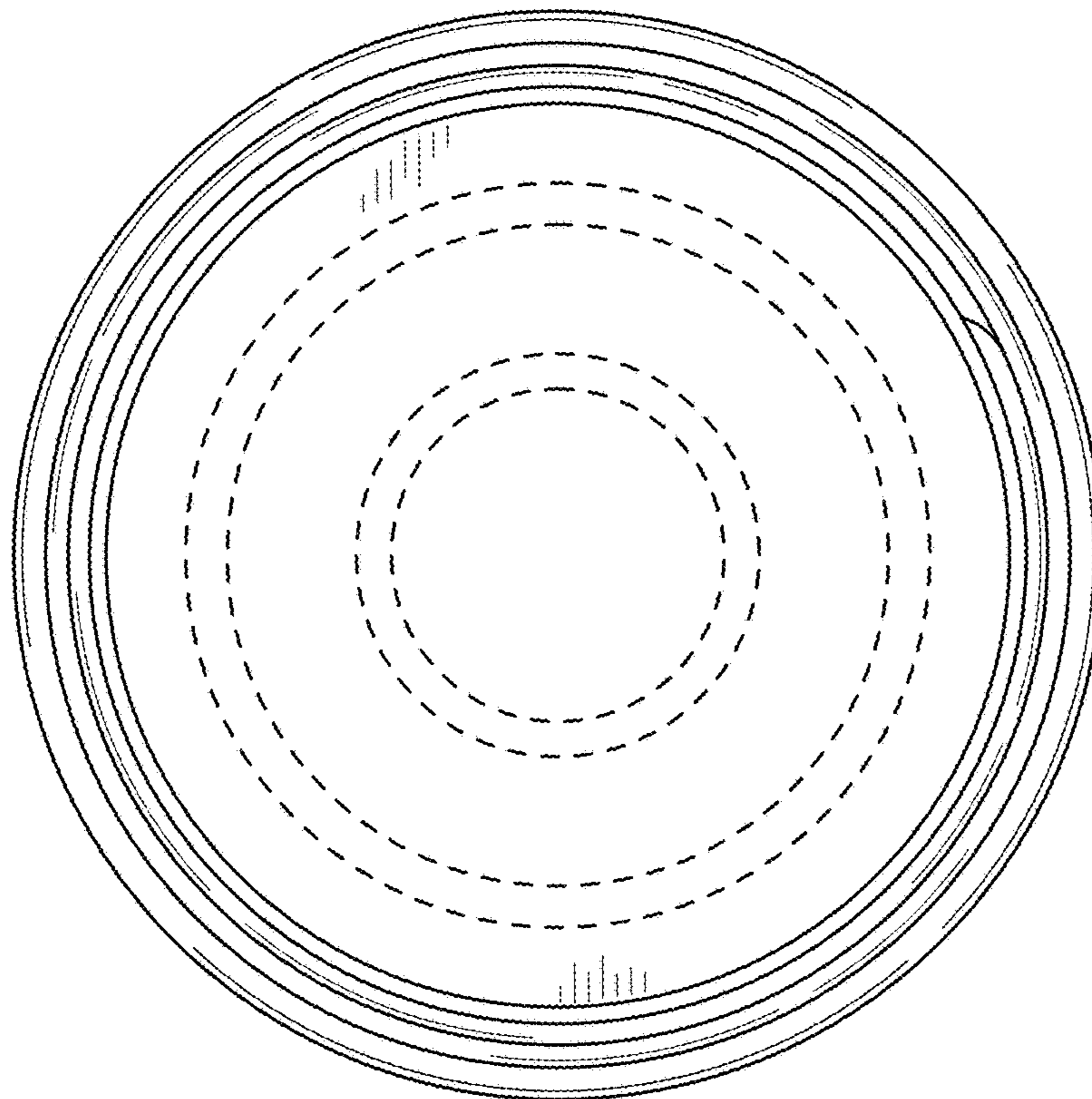


FIG. 7

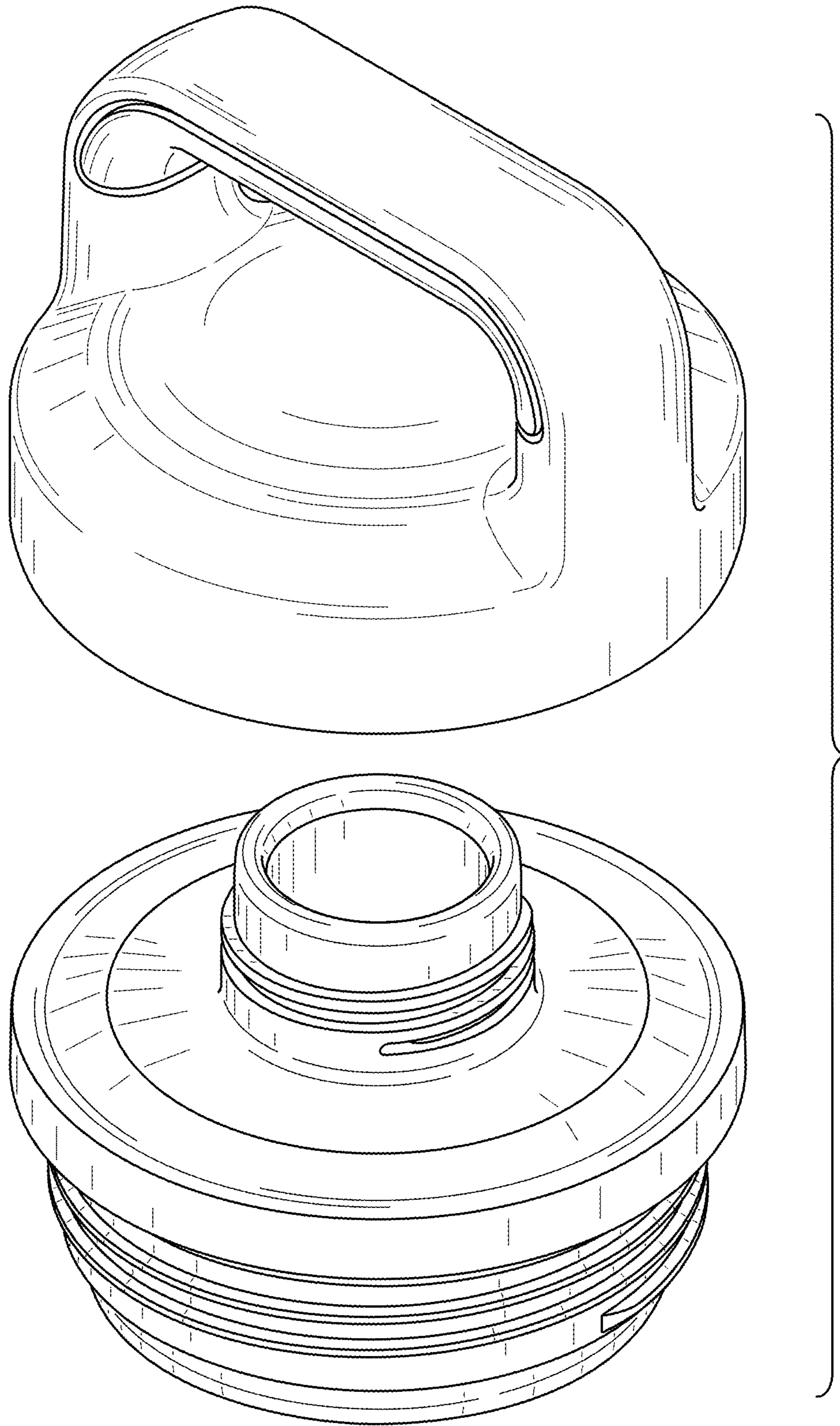


FIG. 8

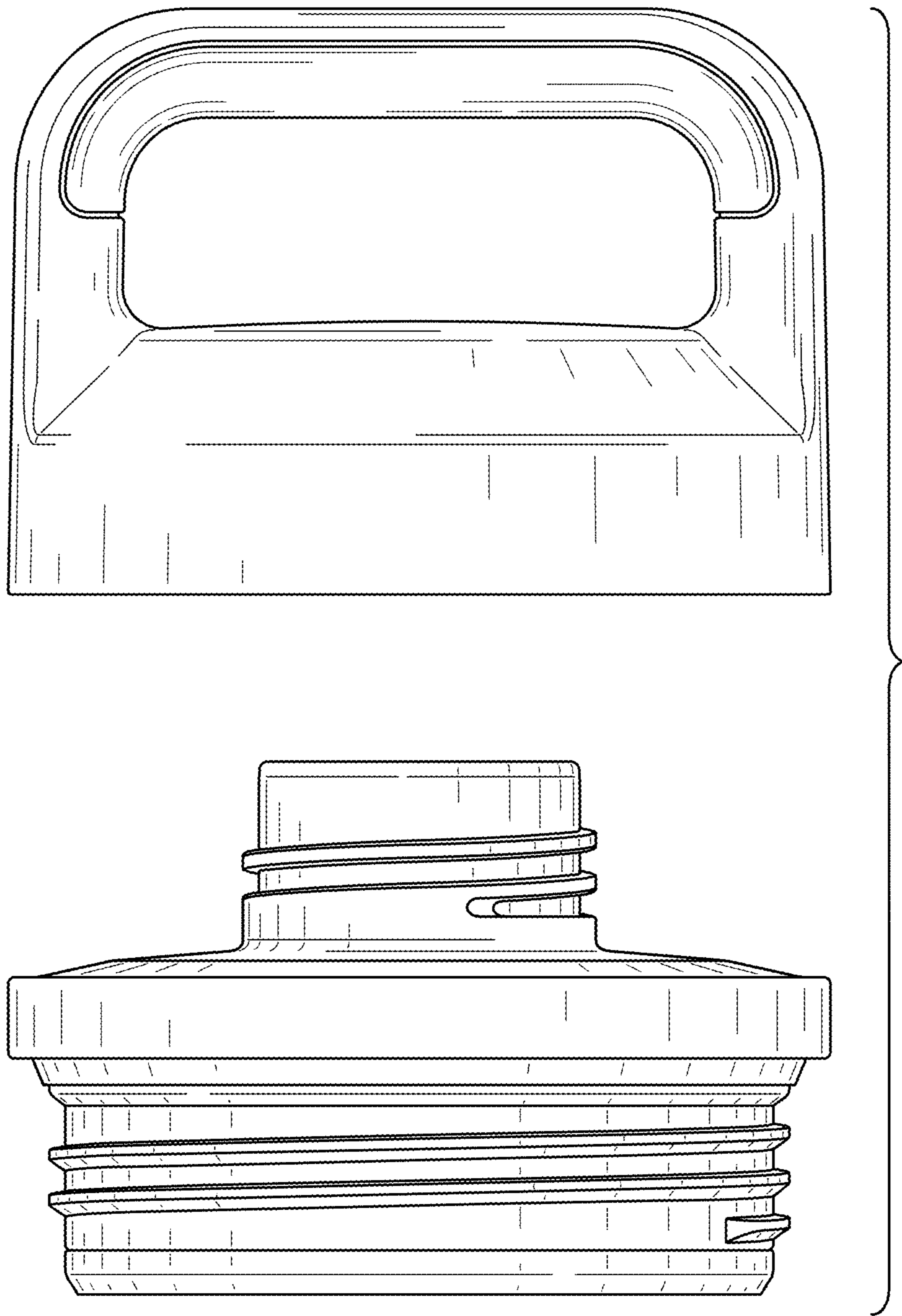


FIG. 9

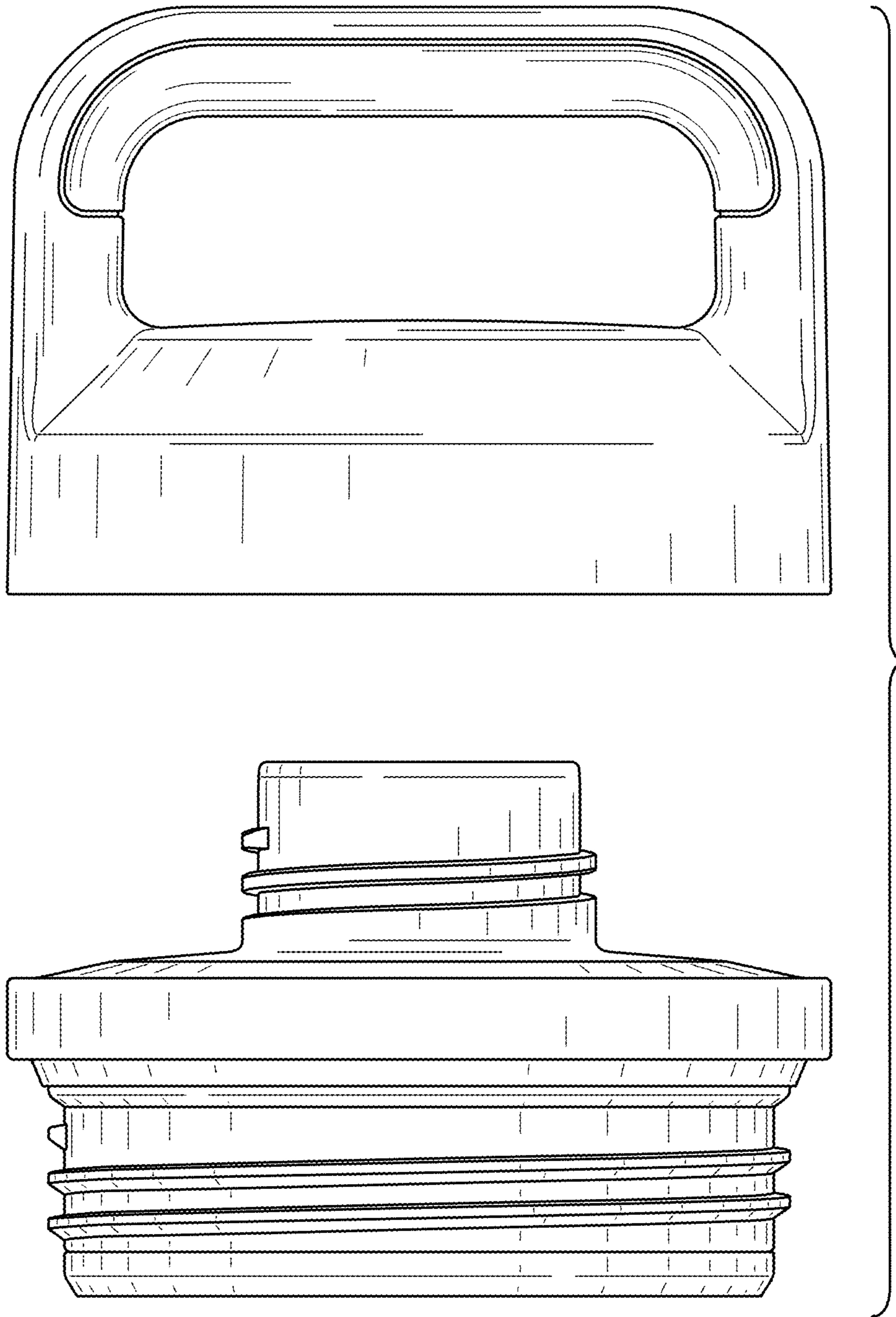


FIG. 10

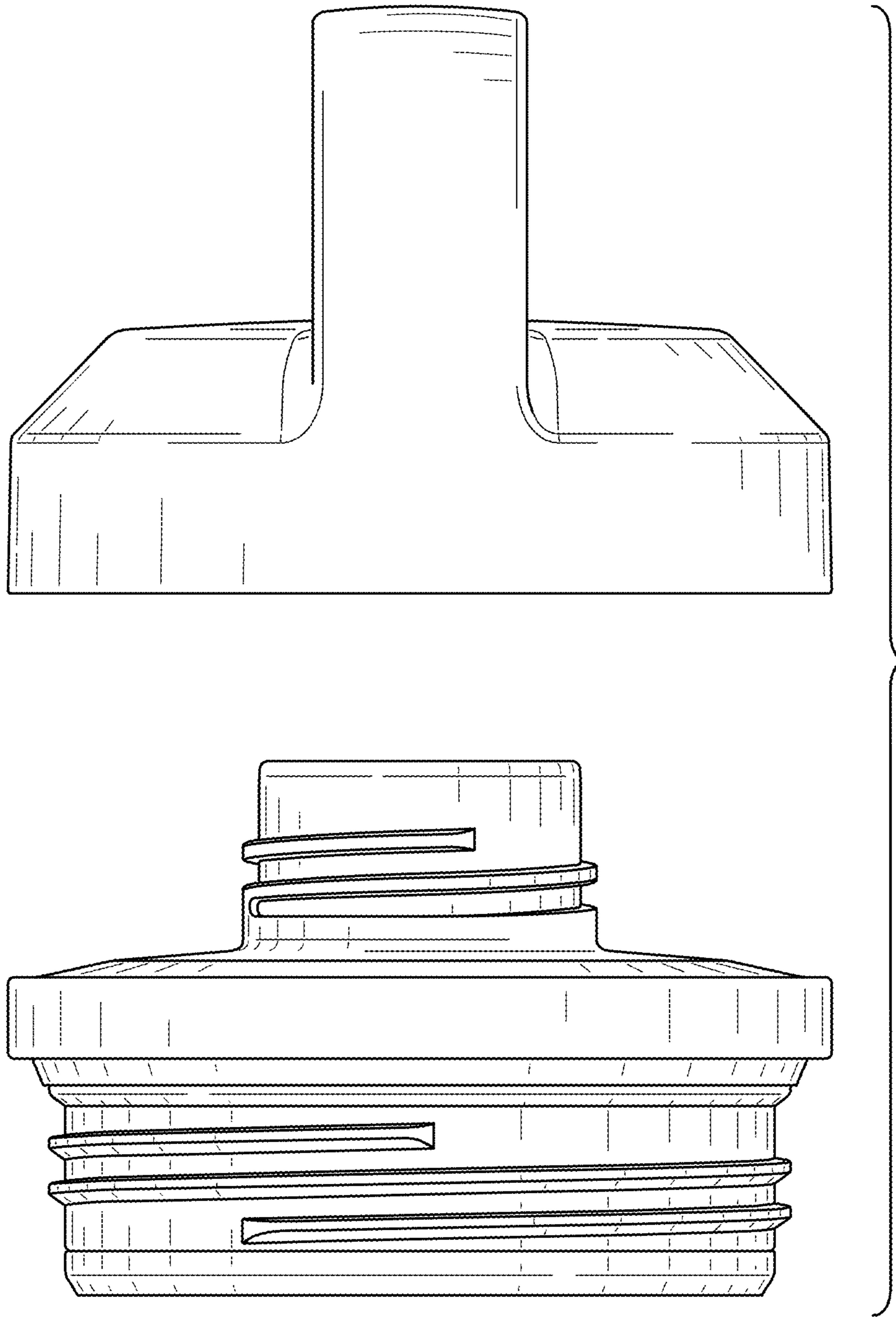


FIG. 11

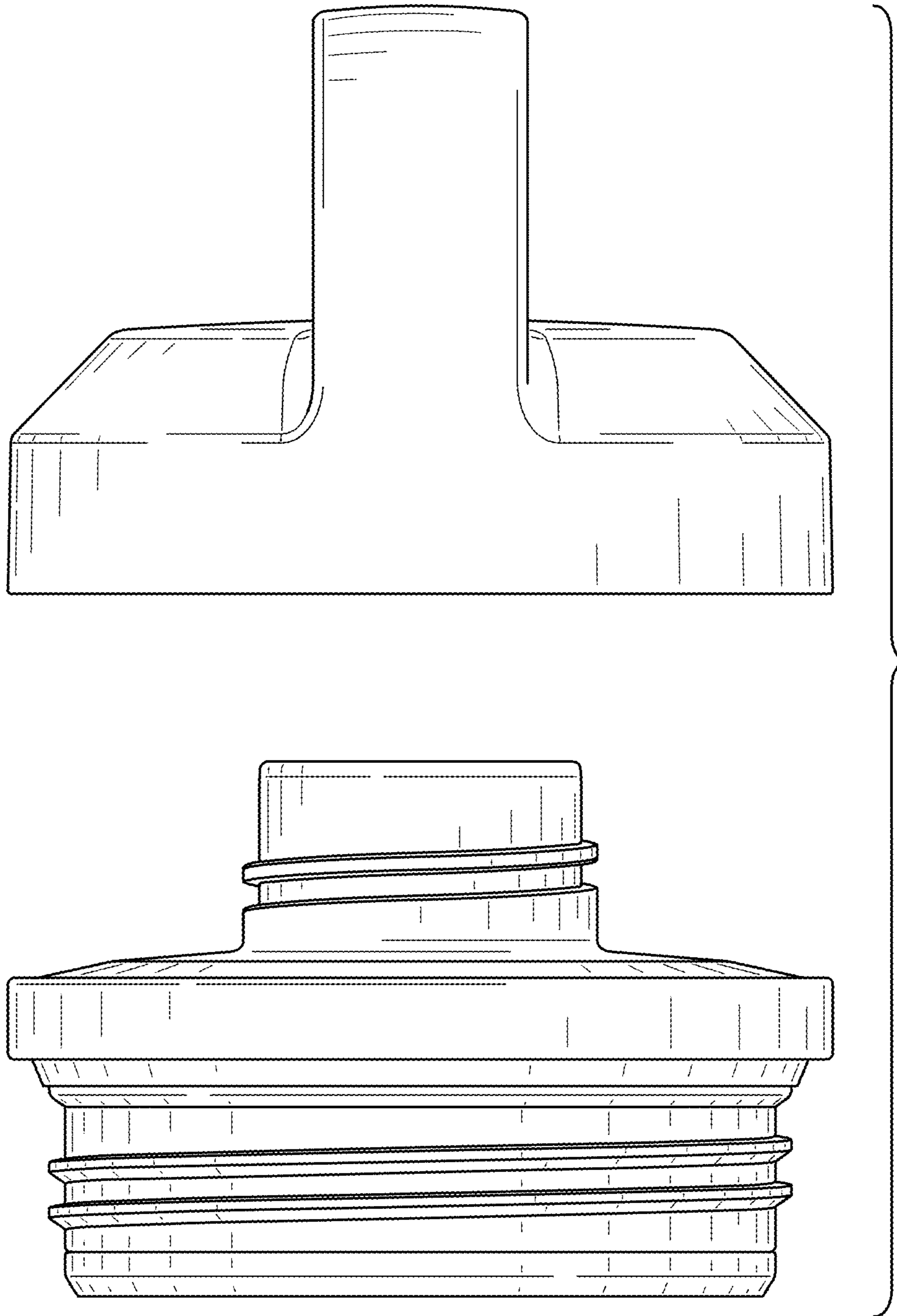


FIG. 12

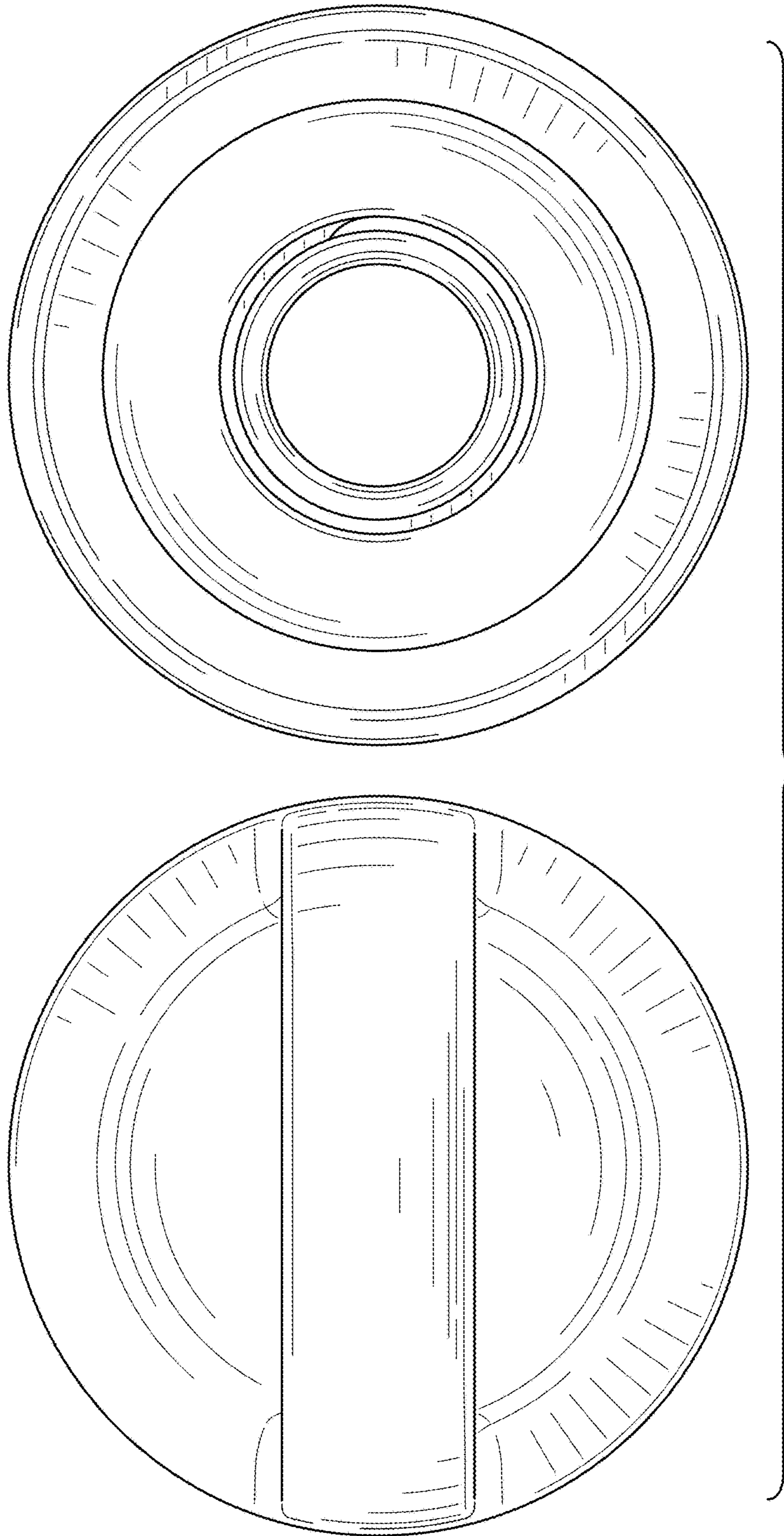


FIG. 13

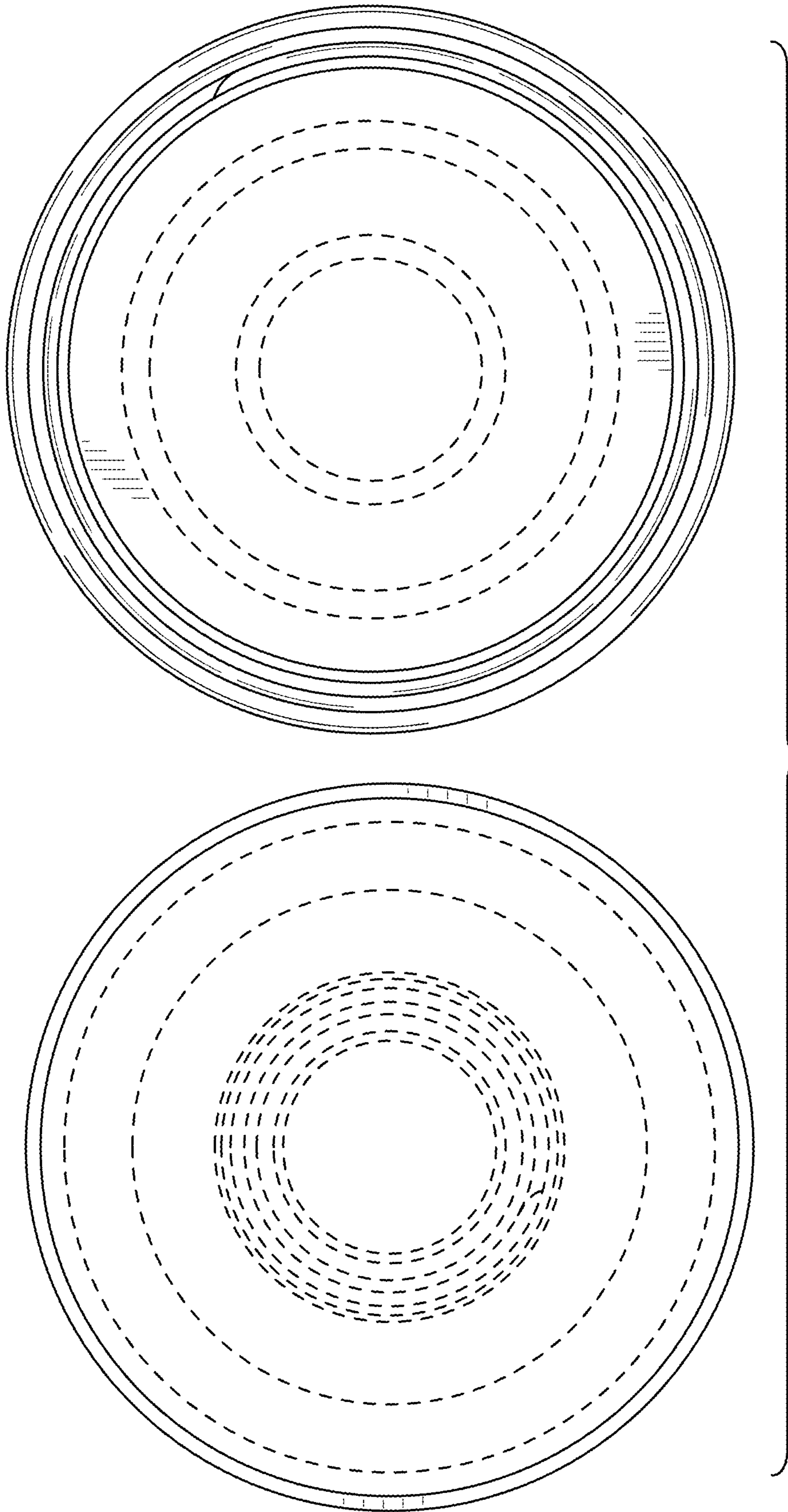


FIG. 14