



US00D819395S

(12) **United States Design Patent** (10) **Patent No.:** **US D819,395 S**
Yu (45) **Date of Patent:** **** Jun. 5, 2018**

(54) **BOTTLE CAP**

(71) Applicant: **Charles Yu**, Compton, CA (US)

(72) Inventor: **Charles Yu**, Compton, CA (US)

(**) Term: **15 Years**

(21) Appl. No.: **29/598,620**

(22) Filed: **Mar. 27, 2017**

(51) **LOC (11) Cl.** **07-99**

(52) **U.S. Cl.**

USPC **D7/391**; D7/396.2; D9/435

(58) **Field of Classification Search**

USPC D7/391, 412, 413, 393, 543, 302, 602,
D7/392, 396.2; D3/273, 276, 280, 282,
D3/283, 284; D9/435, 516, 558

CPC .. A47J 36/06; A47J 47/14; B65D 1/22; B65D
1/34; B65D 1/40; B65D 1/165; B65D
15/02; B65D 1/00; B65D 1/26

See application file for complete search history.

(56) **References Cited**

U.S. PATENT DOCUMENTS

D380,679 S *	7/1997	Schreiber	D9/447
D381,864 S *	8/1997	Feer	D7/391
D382,170 S *	8/1997	Green	D7/391
D396,639 S *	8/1998	Pedersen-Rask	D9/454
D482,493 S *	11/2003	Lillelund	D28/73
D543,632 S *	5/2007	Lornage	D24/197
D562,697 S *	2/2008	Baker	D9/691
D584,102 S *	1/2009	Valderrama	D7/392.1
D609,964 S *	2/2010	Lane	D7/392.1
D641,631 S *	7/2011	Kawahara	D7/510
D661,945 S *	6/2012	Eyal	D7/392.1
D674,103 S *	1/2013	Smith	D24/197

D686,871 S *	7/2013	Lane	D7/392.1
D713,722 S *	9/2014	Miller	D9/436
D751,337 S *	3/2016	Boroski	D7/376
D758,859 S *	6/2016	Sorensen	D7/393
D759,485 S *	6/2016	Boroski	D9/449
D782,908 S *	4/2017	Bentkovski	D9/449
D785,402 S *	5/2017	Shirley	D7/392.1
D793,232 S *	8/2017	Buck	D9/449
D796,324 S *	9/2017	Buck	D9/449
D801,172 S *	10/2017	Bentkovski	D9/449
D803,683 S *	11/2017	Coey	D9/436

* cited by examiner

Primary Examiner — Caron D Veynar

Assistant Examiner — Katrina N Gonzalez

(74) *Attorney, Agent, or Firm* — Loza & Loza, LLP;
Heidi Eisenhut

(57) **CLAIM**

The ornamental design for a bottle cap, as shown and described.

DESCRIPTION

FIG. 1 is a front right perspective view of a bottle cap shown in a configuration of use of the present invention; FIG. 2 is a front view of the bottle cap of FIG. 1; FIG. 3 is a back view of the bottle cap of FIG. 1; FIG. 4 is a left side view of the bottle cap of FIG. 1; FIG. 5 is a right side view of the bottle cap of FIG. 1; FIG. 6 is a top view of the bottle cap of FIG. 1; and, FIG. 7 is a bottom view of the bottle cap of FIG. 1. The broken lines are shown for the purpose of illustrating environmental subject matter that forms no part of the claimed design.

1 Claim, 4 Drawing Sheets

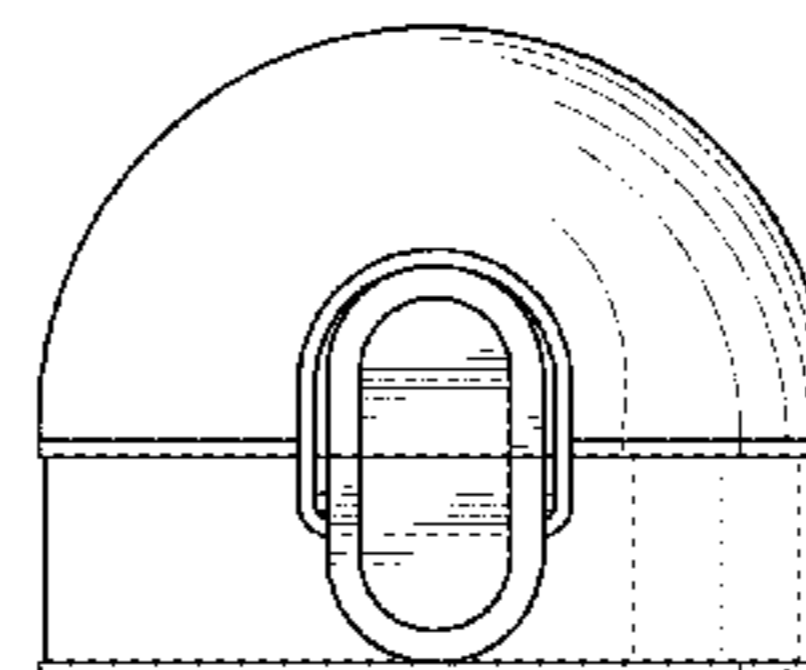
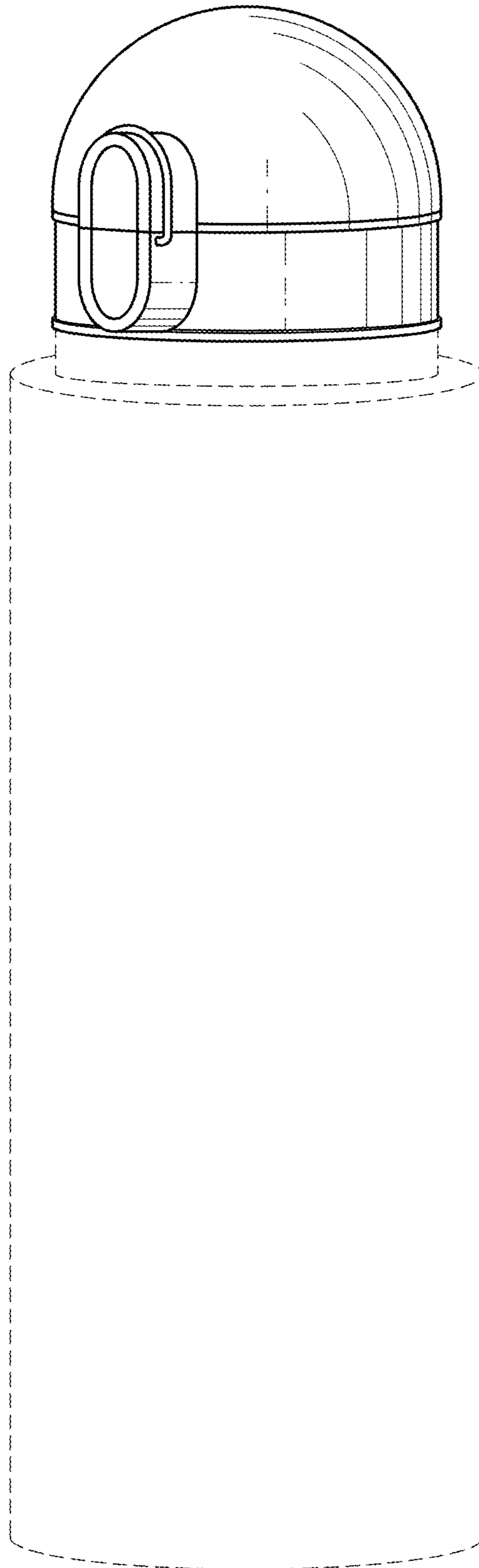


FIG. 1



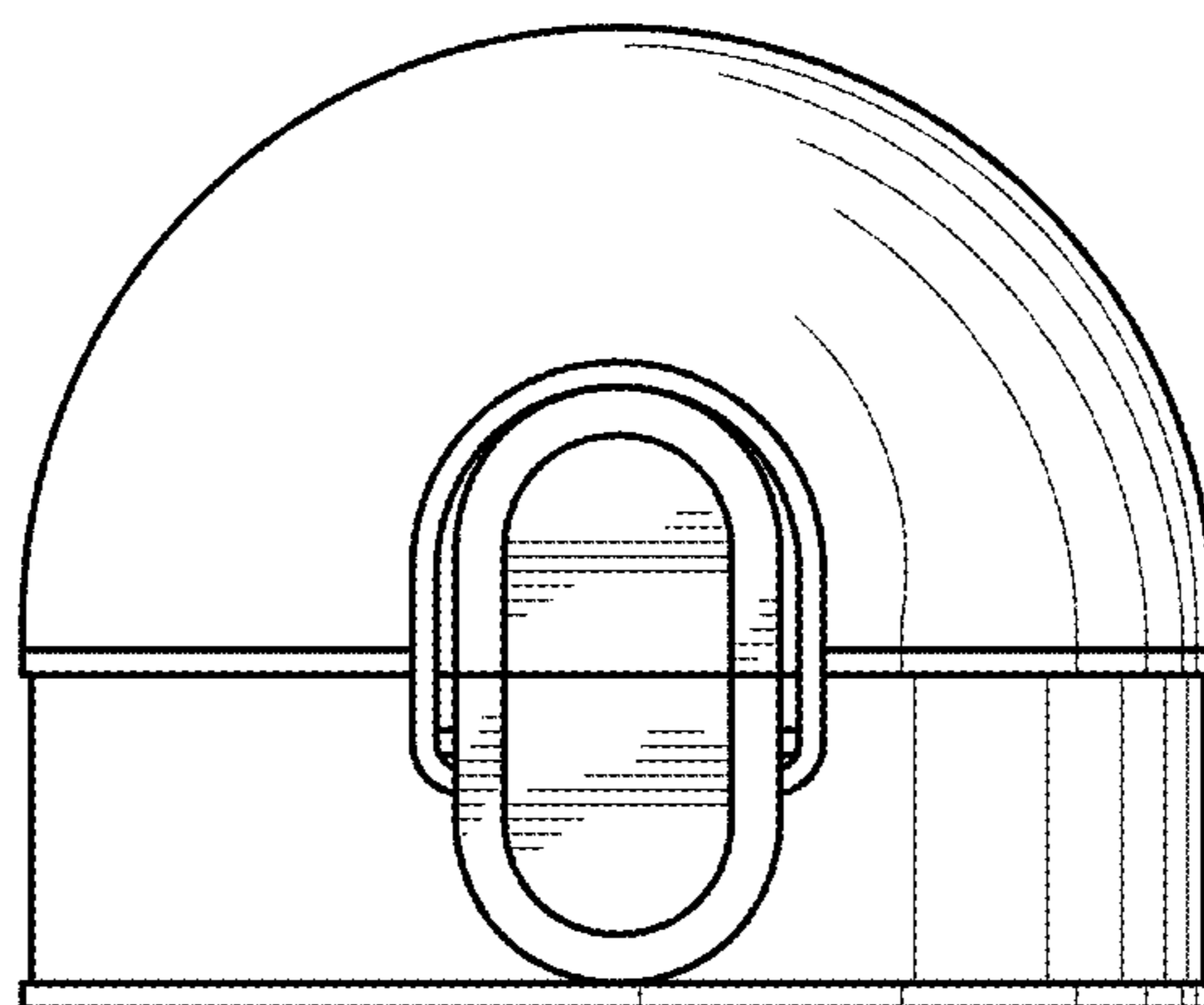


FIG. 2

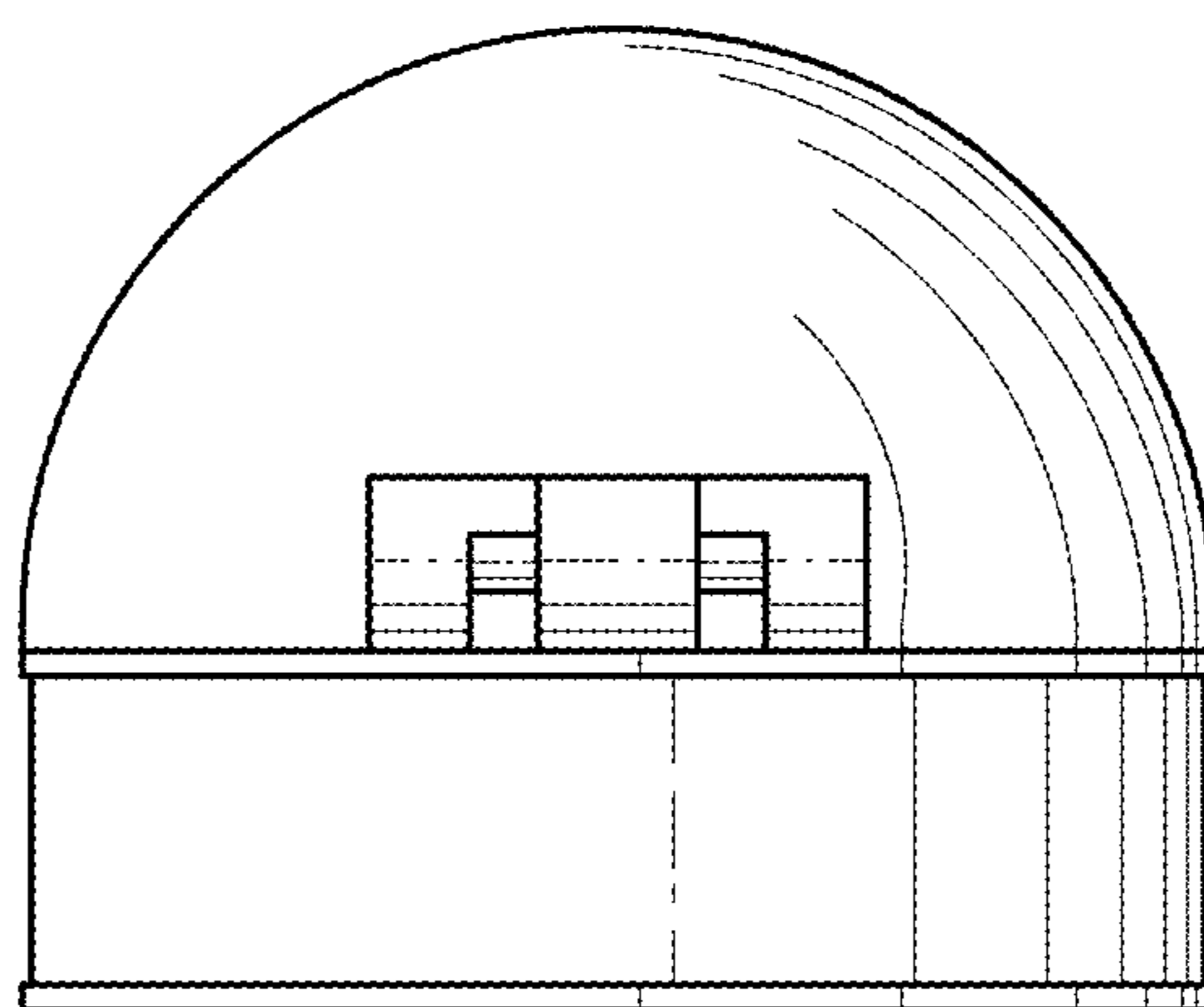


FIG. 3

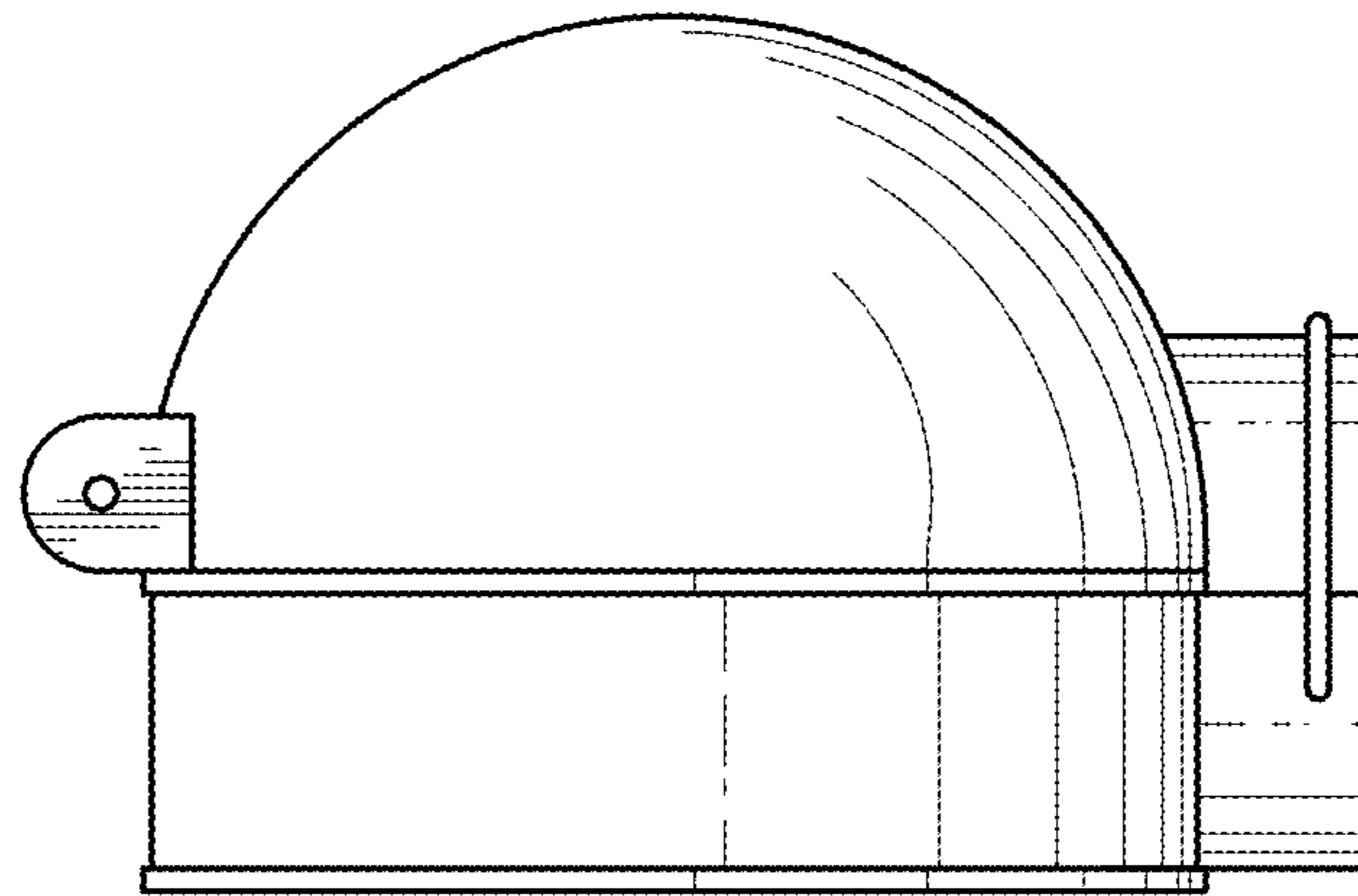


FIG. 4

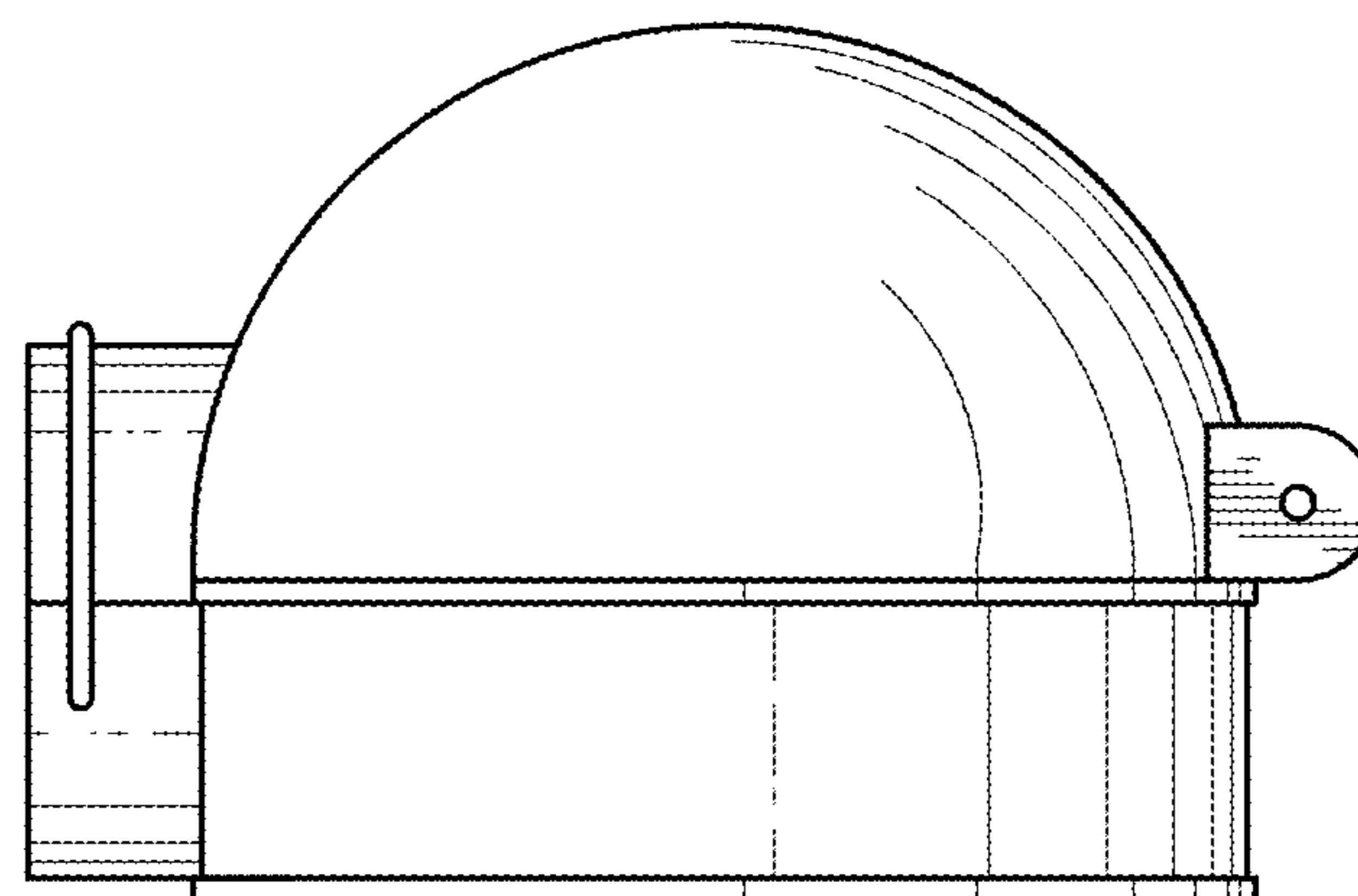


FIG. 5

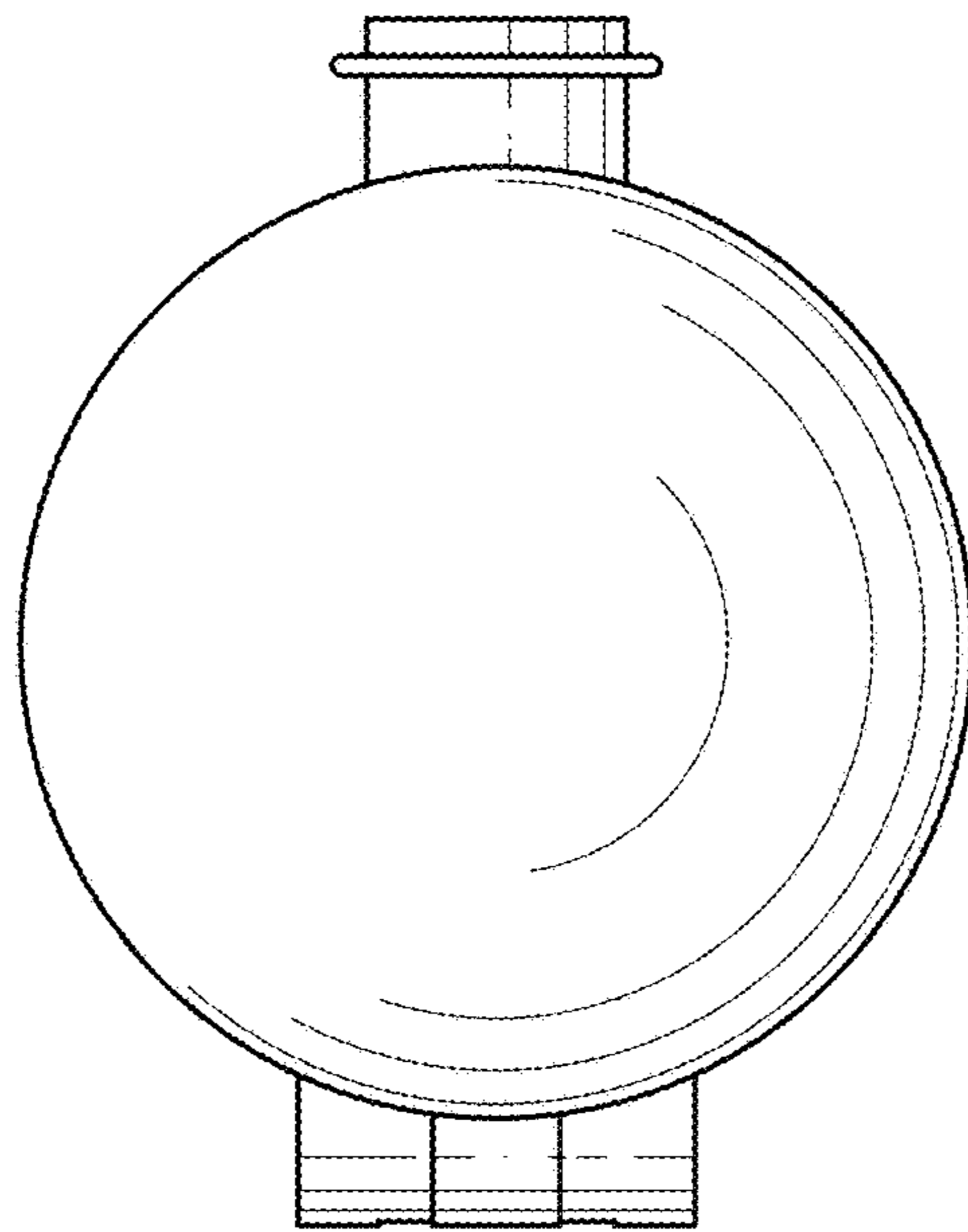


FIG. 6

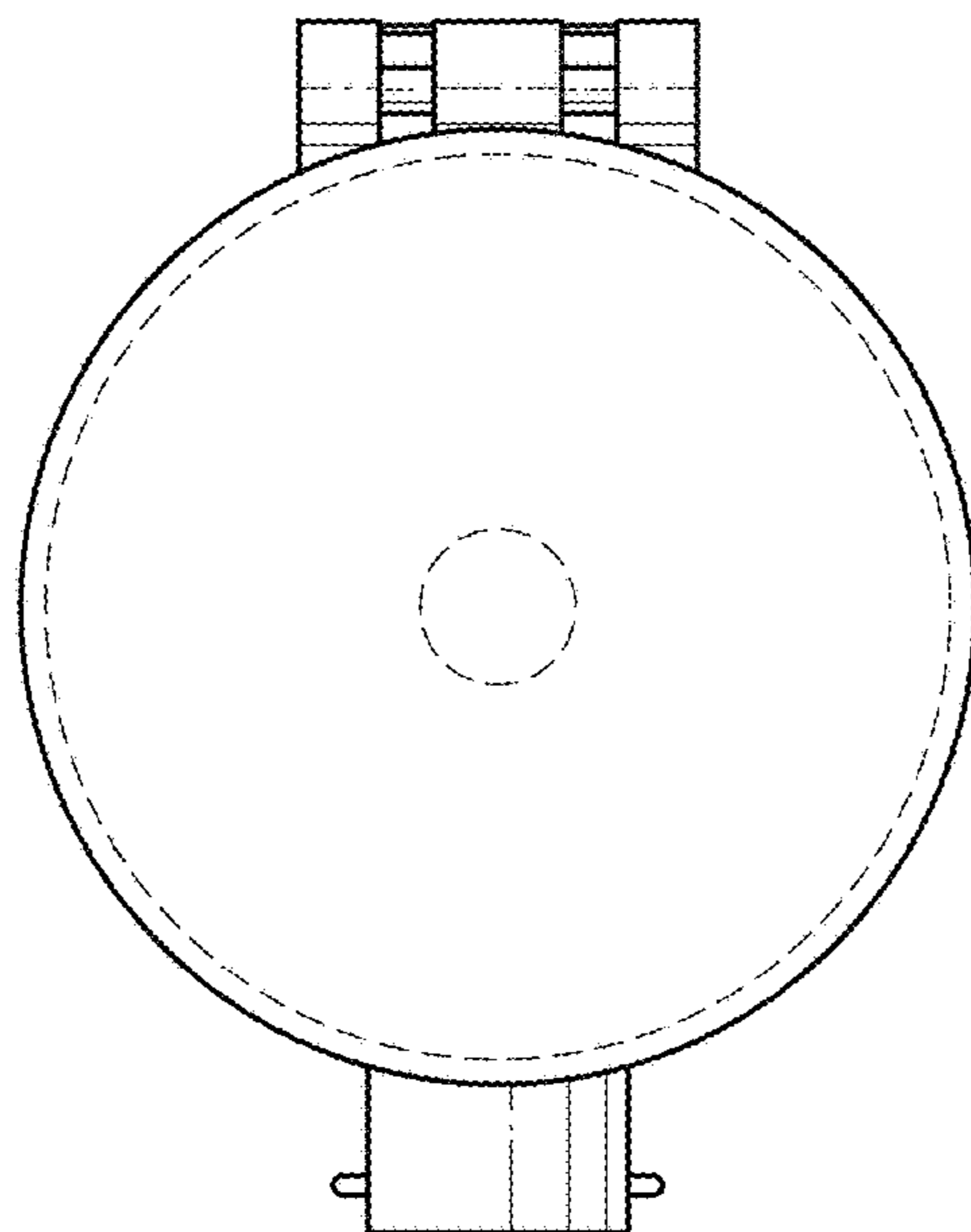


FIG. 7