



US00D819394S

(12) **United States Design Patent** (10) **Patent No.:** **US D819,394 S**
Han et al. (45) **Date of Patent:** **** Jun. 5, 2018**

(54) **FOOD PROCESSOR**

(56) **References Cited**

(71) Applicant: **Ningbo Borine Electric Appliance Co., Ltd.**, Ningbo, Zhejiang (CN)

U.S. PATENT DOCUMENTS

(72) Inventors: **Weihua Han**, Zhejiang (CN);
Zhangcong Cai, Zhejiang (CN)

D466,363 S *	12/2002	Dalton	D7/384
D488,344 S *	4/2004	Seum	D7/384
D502,047 S *	2/2005	Ledingham	D7/384
D560,093 S *	1/2008	Verdun	D7/384
D580,216 S *	11/2008	Ryan	D7/384
D587,064 S *	2/2009	Mark	D7/384
D625,143 S *	10/2010	Moore	D7/376
D625,144 S *	10/2010	Moore	D7/376
D644,480 S *	9/2011	Czach	D7/376
D650,229 S *	12/2011	Hensel	D7/376
D683,180 S *	5/2013	Carlson	D7/376
D734,979 S *	7/2015	Sanguinetti	D7/376
D796,896 S *	9/2017	Blaise	D7/376

(73) Assignee: **Ningbo Borine Electric Appliance Co., Ltd.**, Ningbo (CN)

(**) Term: **15 Years**

(21) Appl. No.: **29/608,298**

(22) Filed: **Jun. 20, 2017**

* cited by examiner

(30) **Foreign Application Priority Data**

Primary Examiner — Ricky Pham

May 3, 2017 (CN) 2017 3 0157721

(51) **LOC (11) Cl.** **31-00**

(57) **CLAIM**

(52) **U.S. Cl.**
USPC **D7/384; D7/376; D7/378**

The ornamental design for a food processor, as shown and described.

(58) **Field of Classification Search**

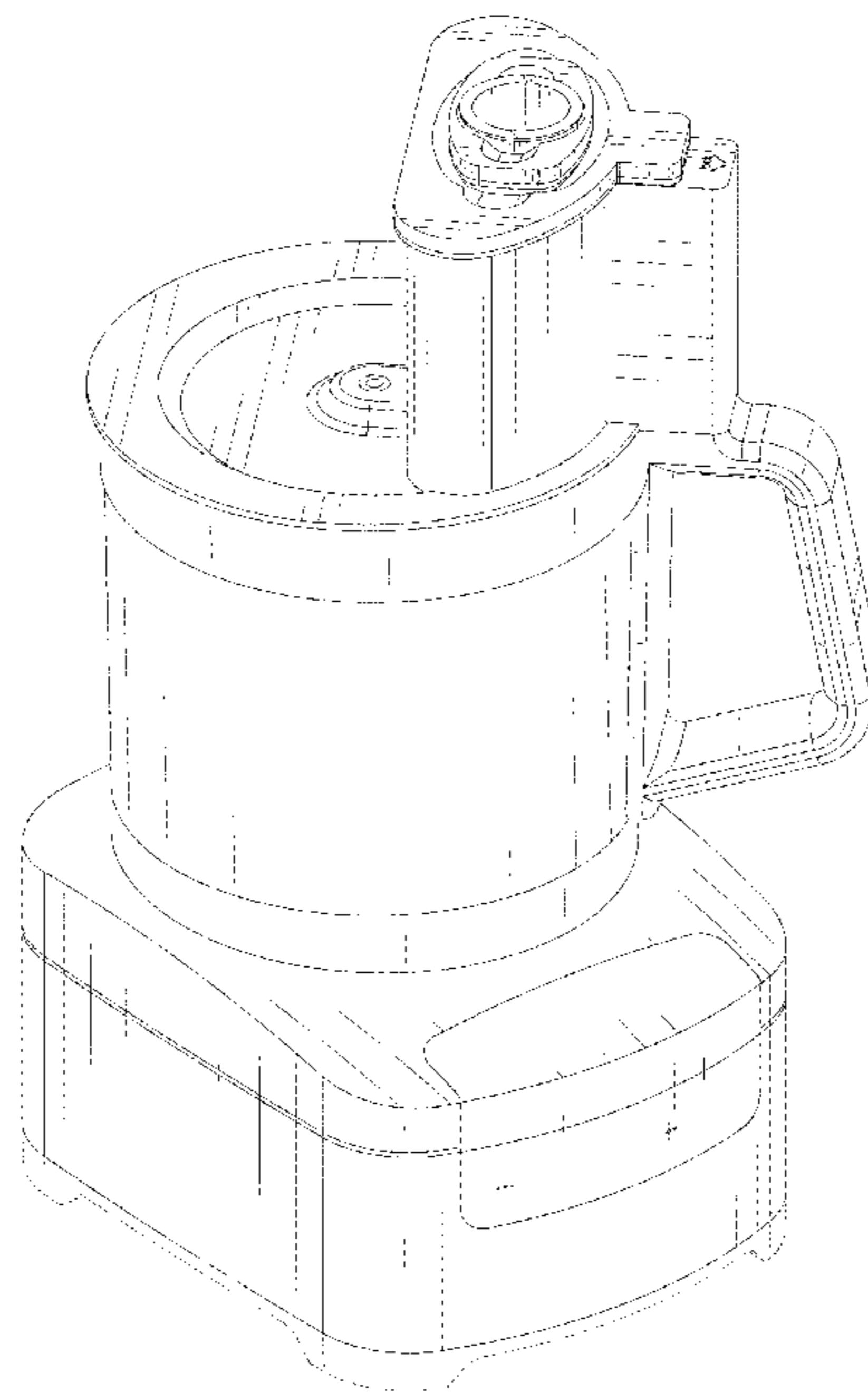
DESCRIPTION

USPC D7/372, 376-386, 412-413, 602, 629,
D7/665-666, 669, 679, 693-694
CPC A21C 1/02; A21C 1/04; A23N 1/00; A23N
1/02; A47J 43/04; A47J 43/25; A47J
43/27; A47J 43/042; A47J 43/044; A47J
43/046; A47J 43/075; A47J 43/0722;
A47J 43/0727; B01F 3/00; B01F 3/0807;
B01F 3/0853; B01F 13/0059; B01F
13/0064; B02C 1/08; B02C 2/04; B02C
4/42; B02C 4/142; B02C 4/143; B02C
4/423; B02C 13/1835; B28C 5/10; B28C
5/12; B28C 5/14; B28C 5/16

FIG. 1 is a front elevational view of a food processor showing our new design;
FIG. 2 is a rear elevational view thereof;
FIG. 3 is a left side view thereof;
FIG. 4 is a right side view thereof;
FIG. 5 is a top plan view thereof;
FIG. 6 is a first perspective view thereof; and,
FIG. 7 is a second perspective view thereof.
The broken lines in the drawings illustrate portions of the food processor which form no part of the claimed design.

See application file for complete search history.

1 Claim, 7 Drawing Sheets



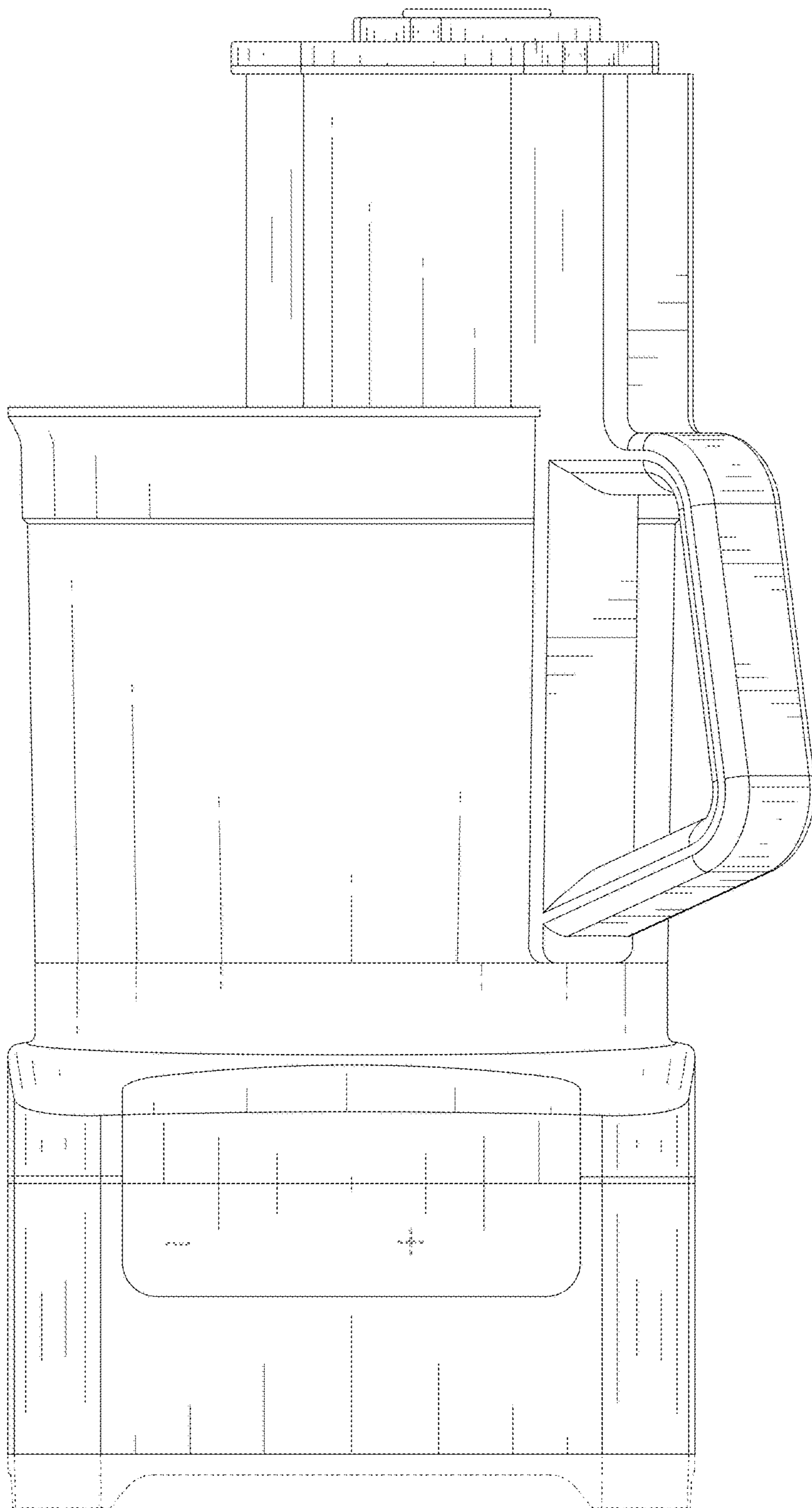


FIG. 1

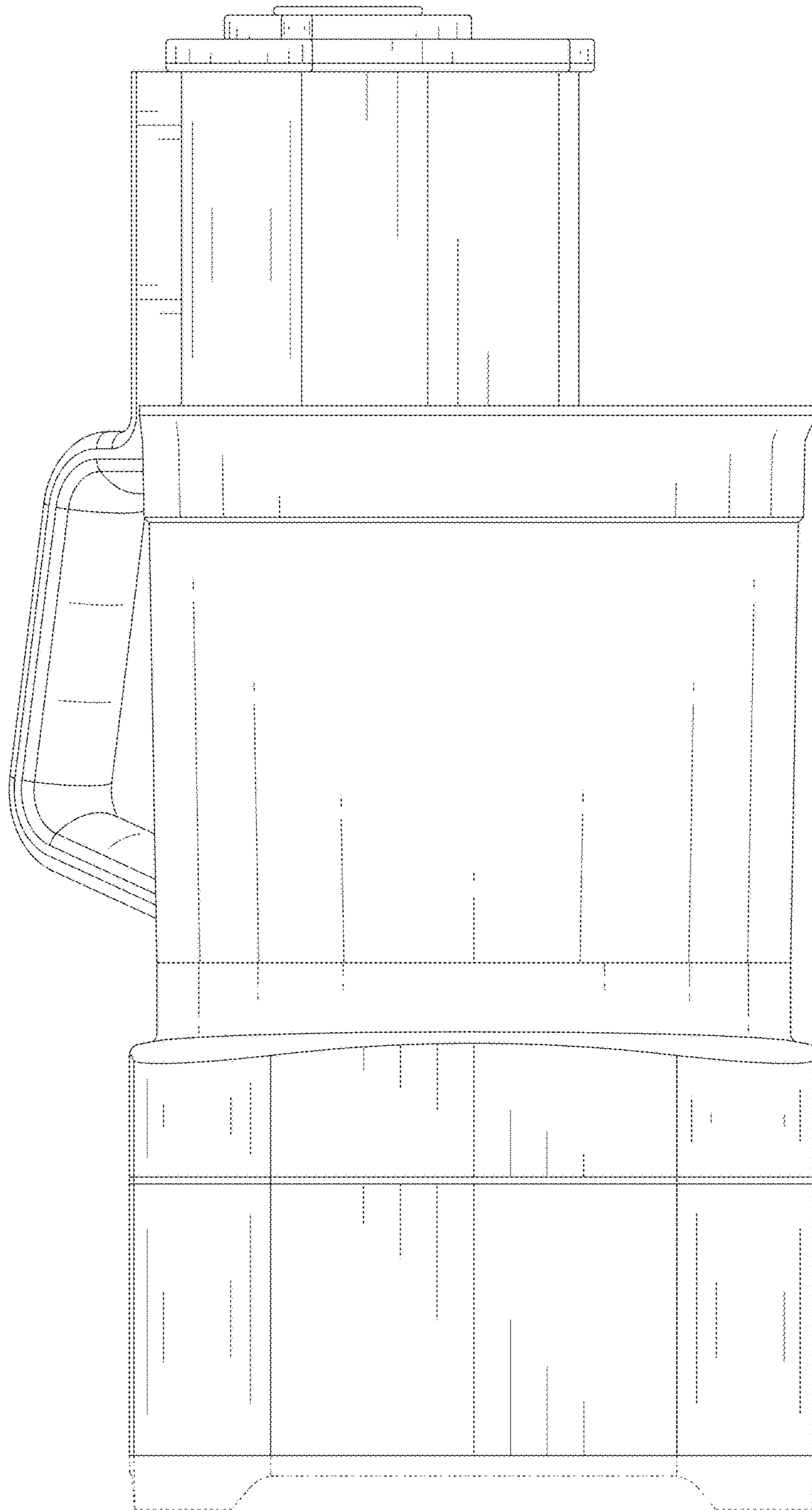


FIG. 2

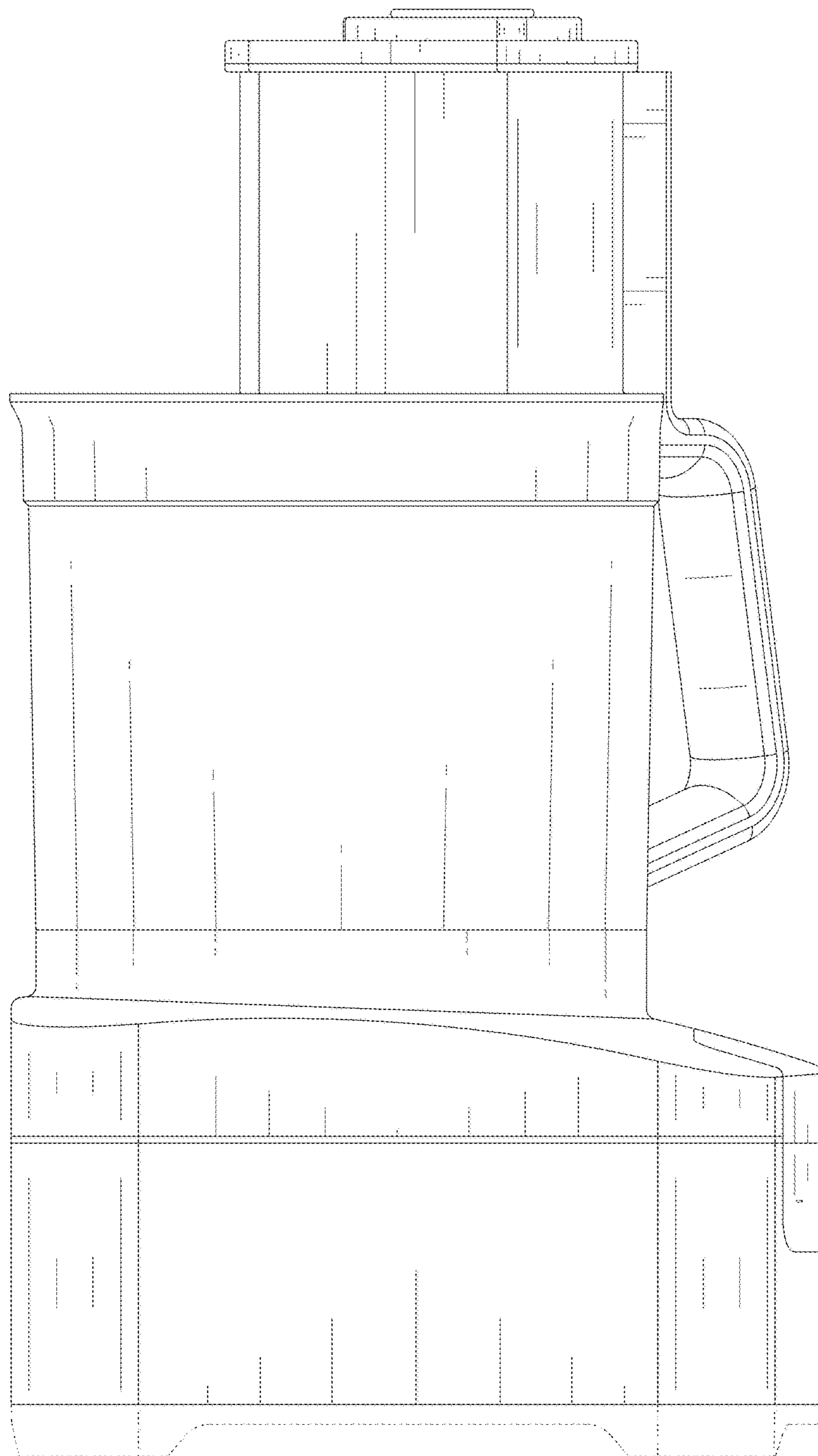


FIG. 3

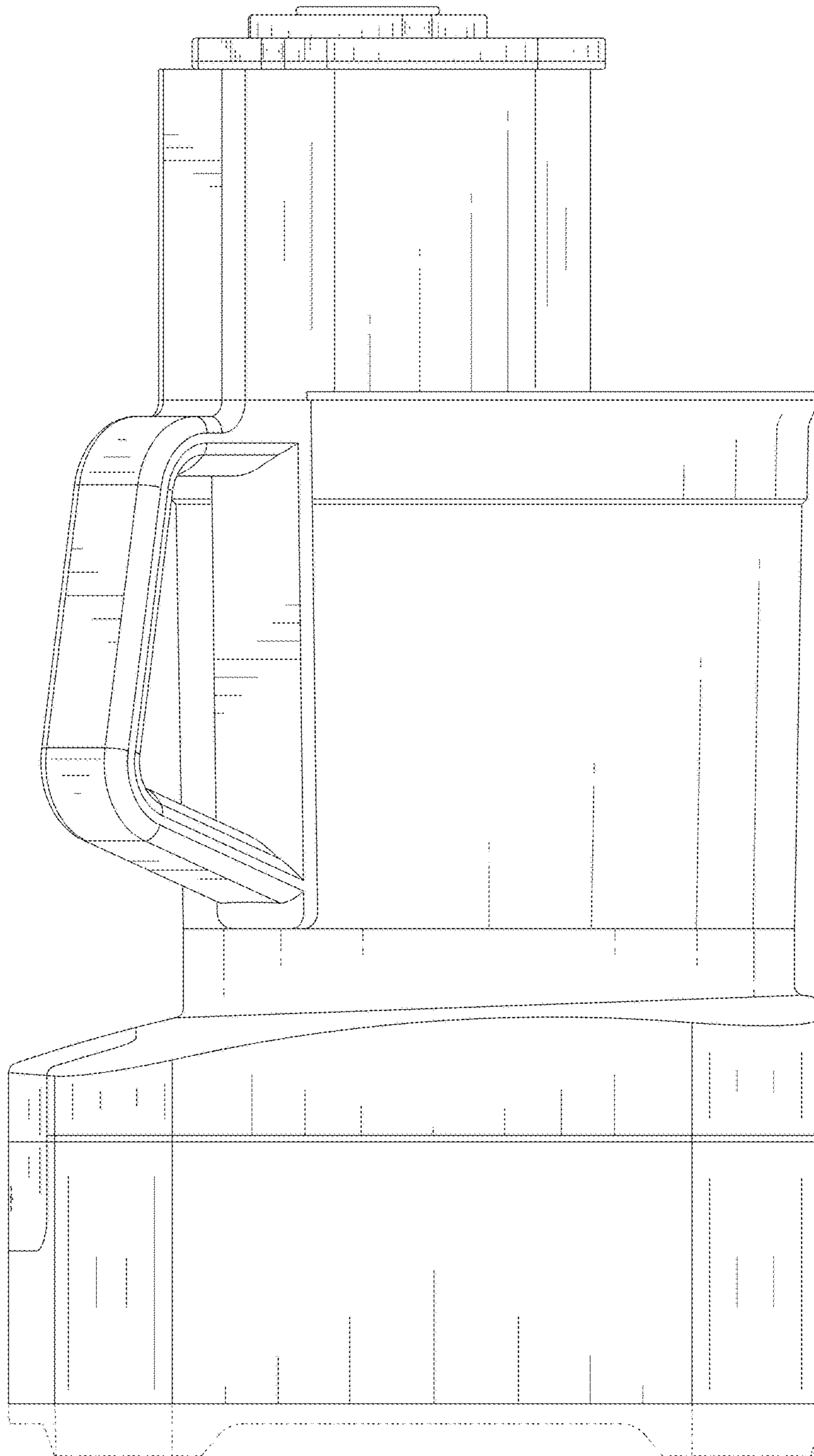


FIG. 4

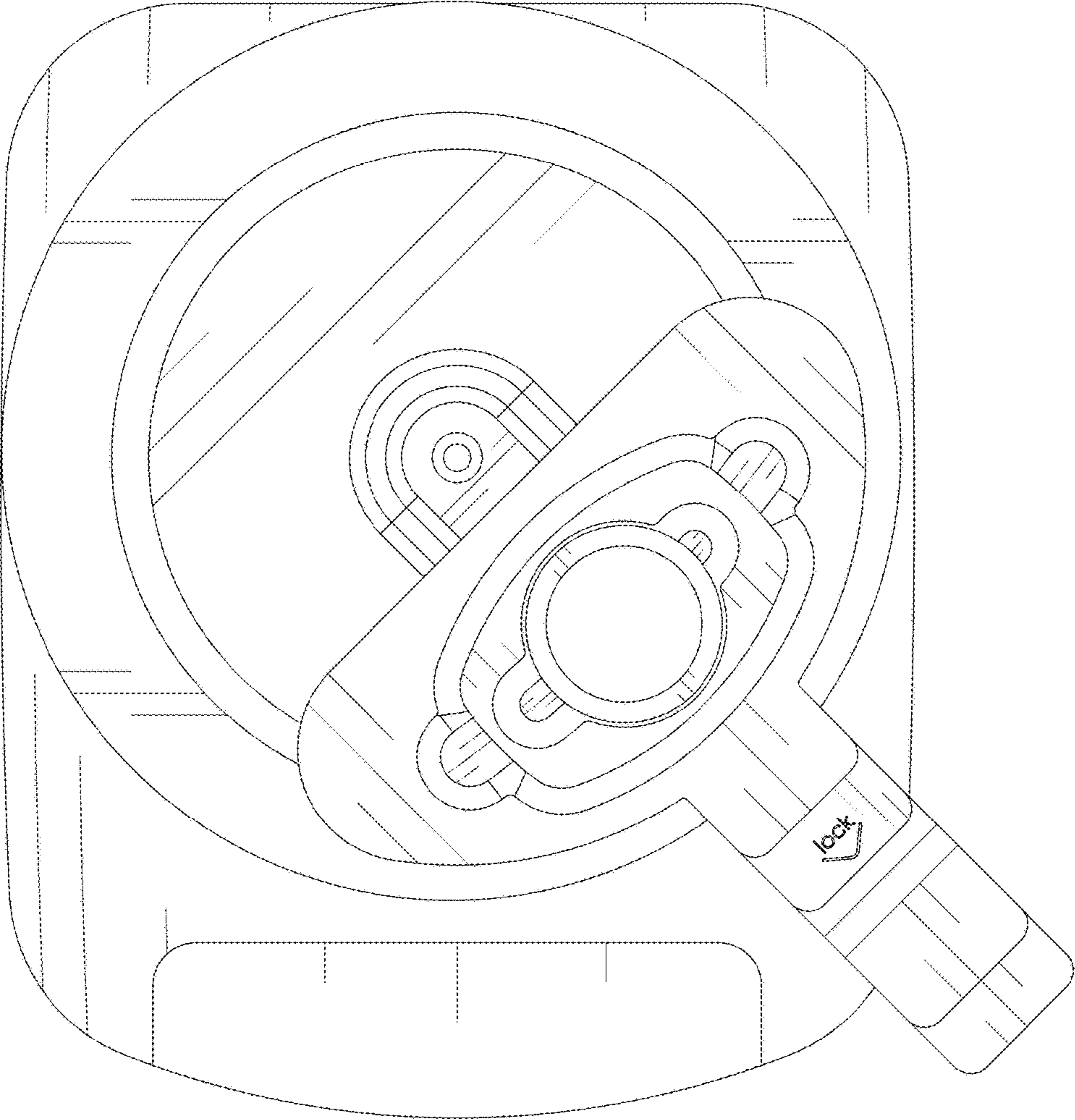


FIG. 5

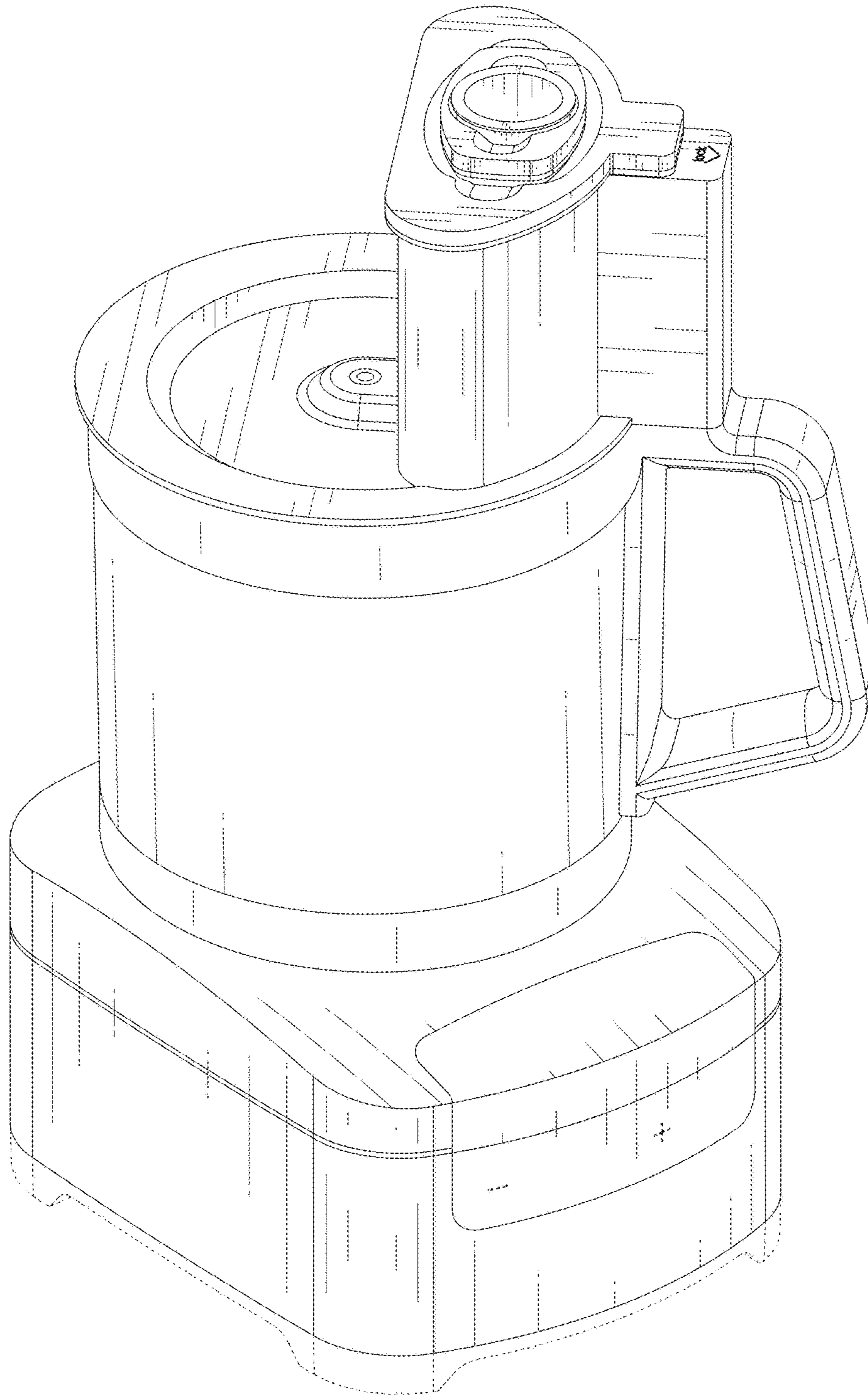


FIG. 6

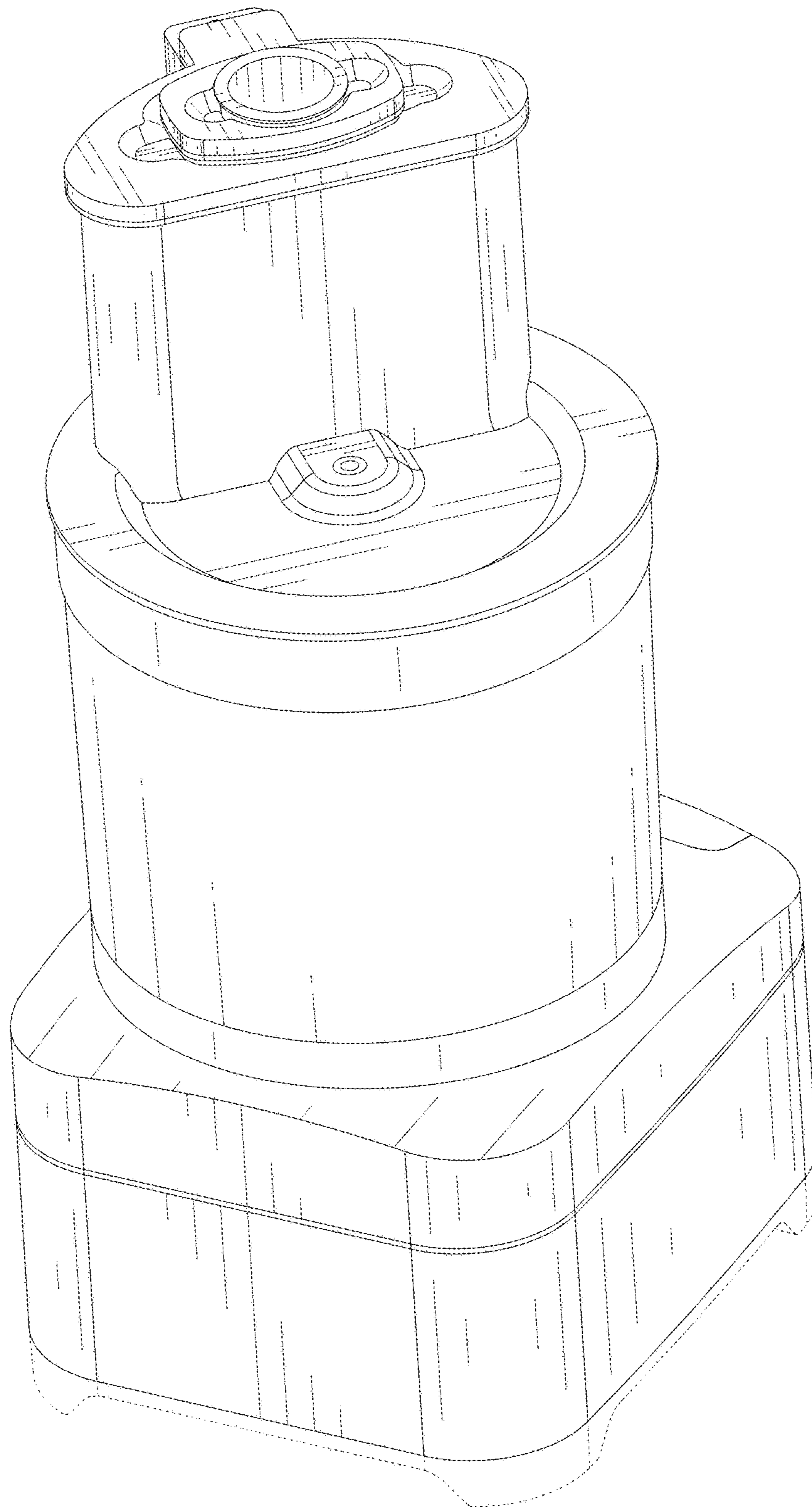


FIG. 7