



US00D819393S

(12) **United States Design Patent**  
**Dodane**

(10) **Patent No.:** **US D819,393 S**  
(45) **Date of Patent:** **\*\* Jun. 5, 2018**

- (54) **SAUCEPAN**
- (71) Applicant: **CRISTEL**, Fesches-le-Chatel (FR)
- (72) Inventor: **Paul Dodane**, Fesches-le-Chatel (FR)
- (73) Assignee: **Cristel**, Fesches-le-Chatel (FR)
- (\*\*) Term: **15 Years**
- (21) Appl. No.: **29/605,729**
- (22) Filed: **May 30, 2017**
- (51) **LOC (11) Cl.** ..... **07-02**
- (52) **U.S. Cl.**  
USPC ..... **D7/361**
- (58) **Field of Classification Search**  
USPC ..... D7/323, 330–331, 337, 339, 347,  
D7/350–367, 378–384, 391–396, 401.2,  
D7/402, 409, 542–545, 560, 664;  
D8/107, 300, 303, 307, 313, 321;  
D4/129, 138  
CPC ..... A47G 19/12; A47J 27/00; A47J 27/002;  
A47J 27/004; A47J 27/006; A47J 27/02;  
A47J 27/022; A47J 27/04; A47J 27/043;  
A47J 36/025; A47J 36/06; A47J 36/08;  
A47J 36/18; A47J 36/20; A47J 36/22;  
A47J 37/00; A47J 37/10; A47J 37/101;  
A47J 37/108; A47J 37/067; A47J 45/08;  
A47J 45/061; A47J 45/085; A47J 45/071;  
A47J 45/072; B65D 25/2802; B65D  
25/2882; B65D 25/2885; B65D 25/2888;  
B65D 25/2894; G07F 17/0064; G07F  
17/0078; G07F 17/0085; H05B 6/12;  
H05B 6/1227; Y10S 220/912  
See application file for complete search history.

(56) **References Cited**

**U.S. PATENT DOCUMENTS**

D469,655	S	*	2/2003	Ryan	.....	D7/361
D559,032	S	*	1/2008	Kellermann	.....	D7/354
D571,607	S		6/2008	Stattmann		
D579,716	S		11/2008	Pawson et al.		
D581,721	S	*	12/2008	Rae	.....	D7/360
D587,062	S		2/2009	Ek		
D587,519	S	*	3/2009	Cheng	.....	D7/360
D600,497	S	*	9/2009	Ek	.....	D7/361
D621,652	S	*	8/2010	Dodane	.....	D7/354

D758,123	S	*	6/2016	Gabbay	.....	D7/354
D798,655	S	*	10/2017	Barberi	.....	D7/395
2008/0087673	A1	*	4/2008	Cheng	.....	A47J 36/36 220/573.1
2011/0155607	A1	*	6/2011	Tetreault	.....	A47J 36/06 206/459.5

**OTHER PUBLICATIONS**

Cristel Castel'Pro Stainless-Steel 7-Piece Cookware Set, posted 2018 [online], retrieved Mar. 12, 2018, retrieved from internet, see boxes V and W for internet link.\*  
<[\\* cited by examiner](https://www.williams-sonoma.com/products/cristel-castel-pro-stainless-steel-7-piece-cookware-set/?catalogId=14&sku=5205815&cm_ven=PLA&cm_cat=Google&cm_pla=Cookware%20%3E%20Cookware%20Sets&na_id=2017121516104736399905330806&kwid=productads-adid^225852450168-device^c-plaid-297785830001-sku^5205815-adType^PLA&gclid=.*CjwKCAjwypjVBRANEiwAJAxllrK-uZ7p5ezkFMT4xj43tk7vGZxoWgNrBNTsNtiOGQiQhBufok2vFxoCzqgQAvD_BwE&cm_ite=[[PLA]%20-%20Manu%20Desk/Tab%20-%20(Good%20RPC)]>.*</a></p>
</div>
<div data-bbox=)

*Primary Examiner* — Barbara Fox

*Assistant Examiner* — Messina L Smith

(74) *Attorney, Agent, or Firm* — Andrew W. Chu; Craft Chu PLLC

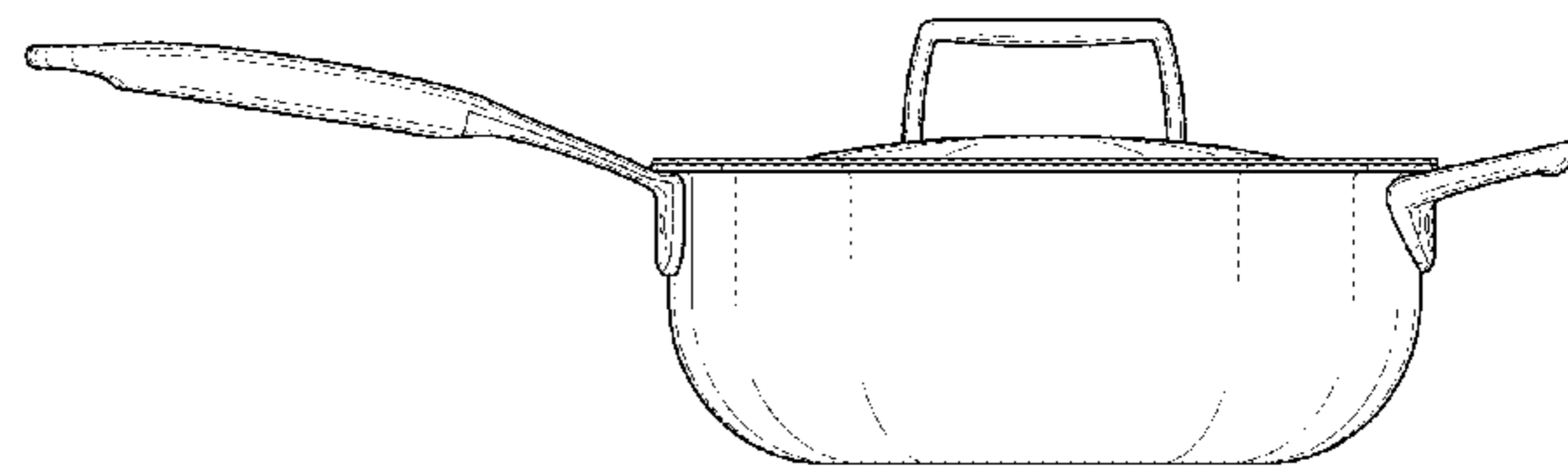
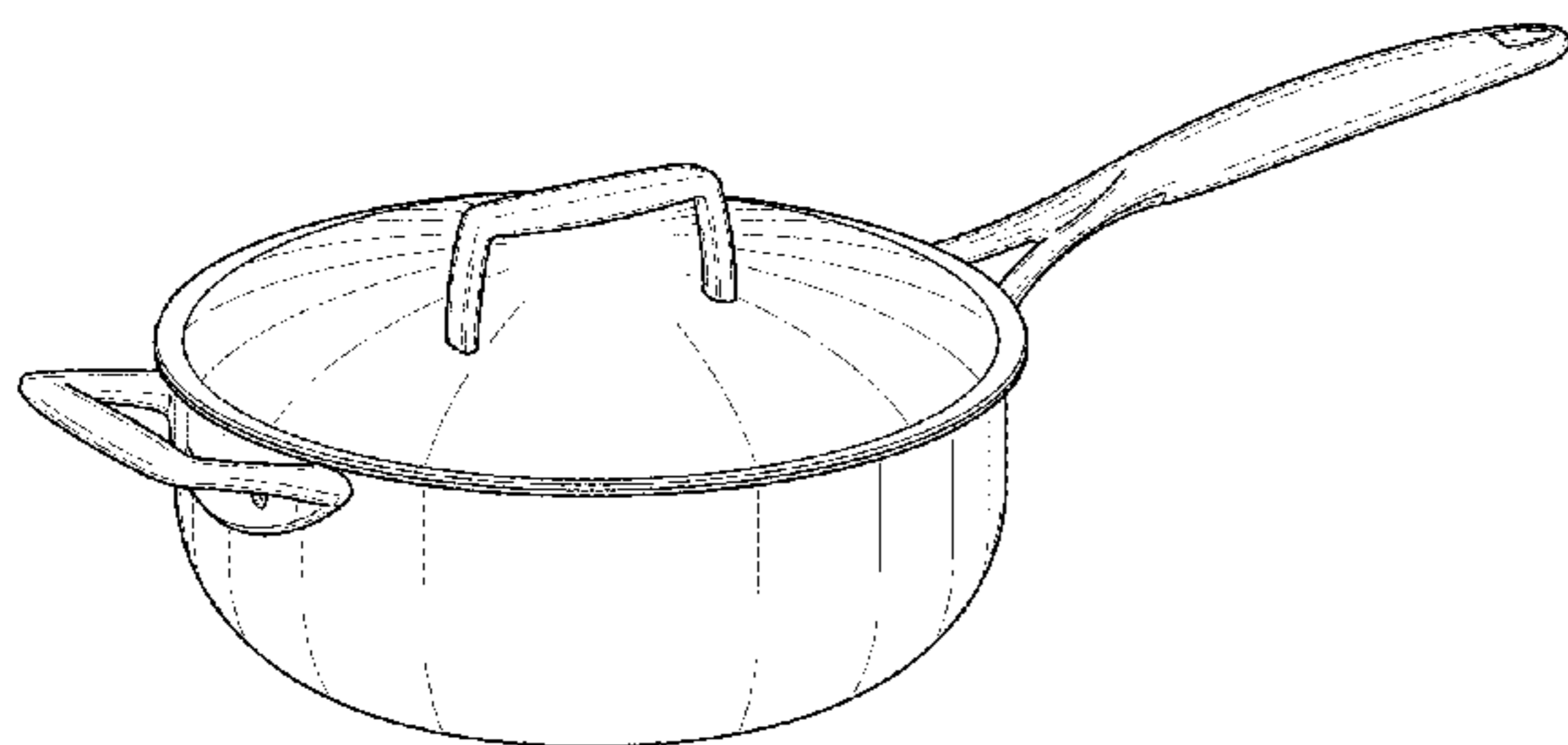
(57) **CLAIM**

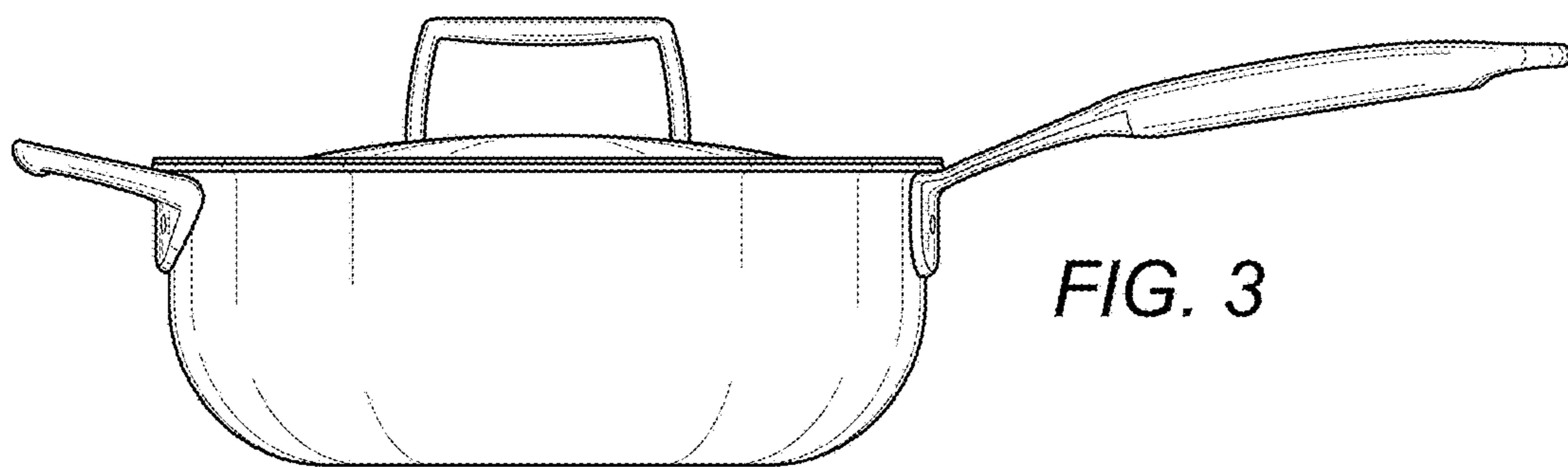
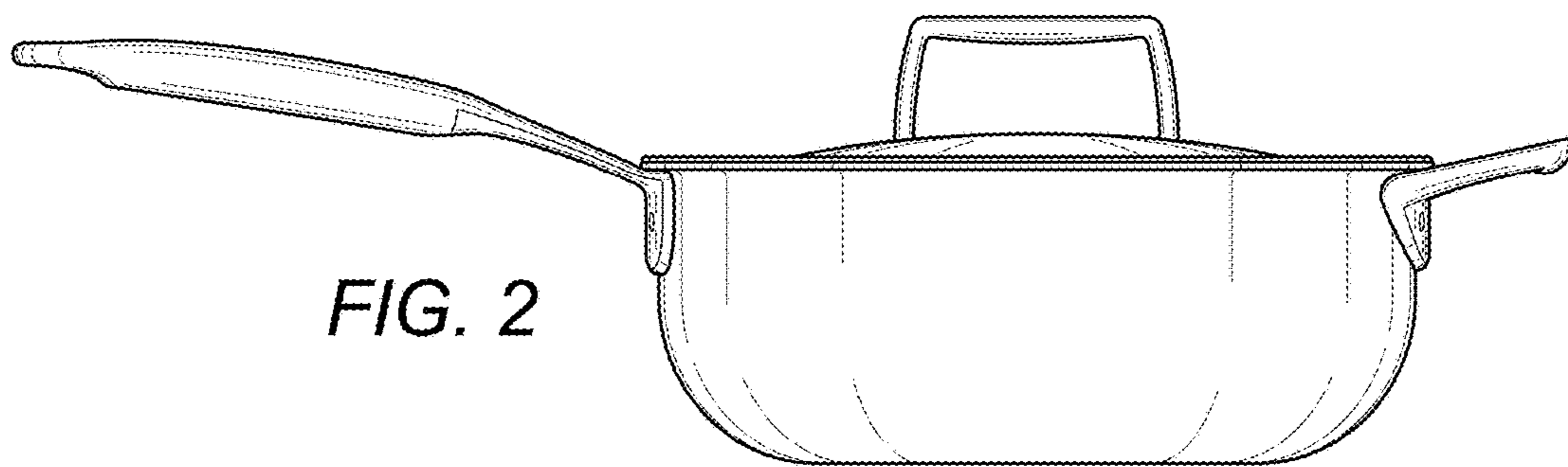
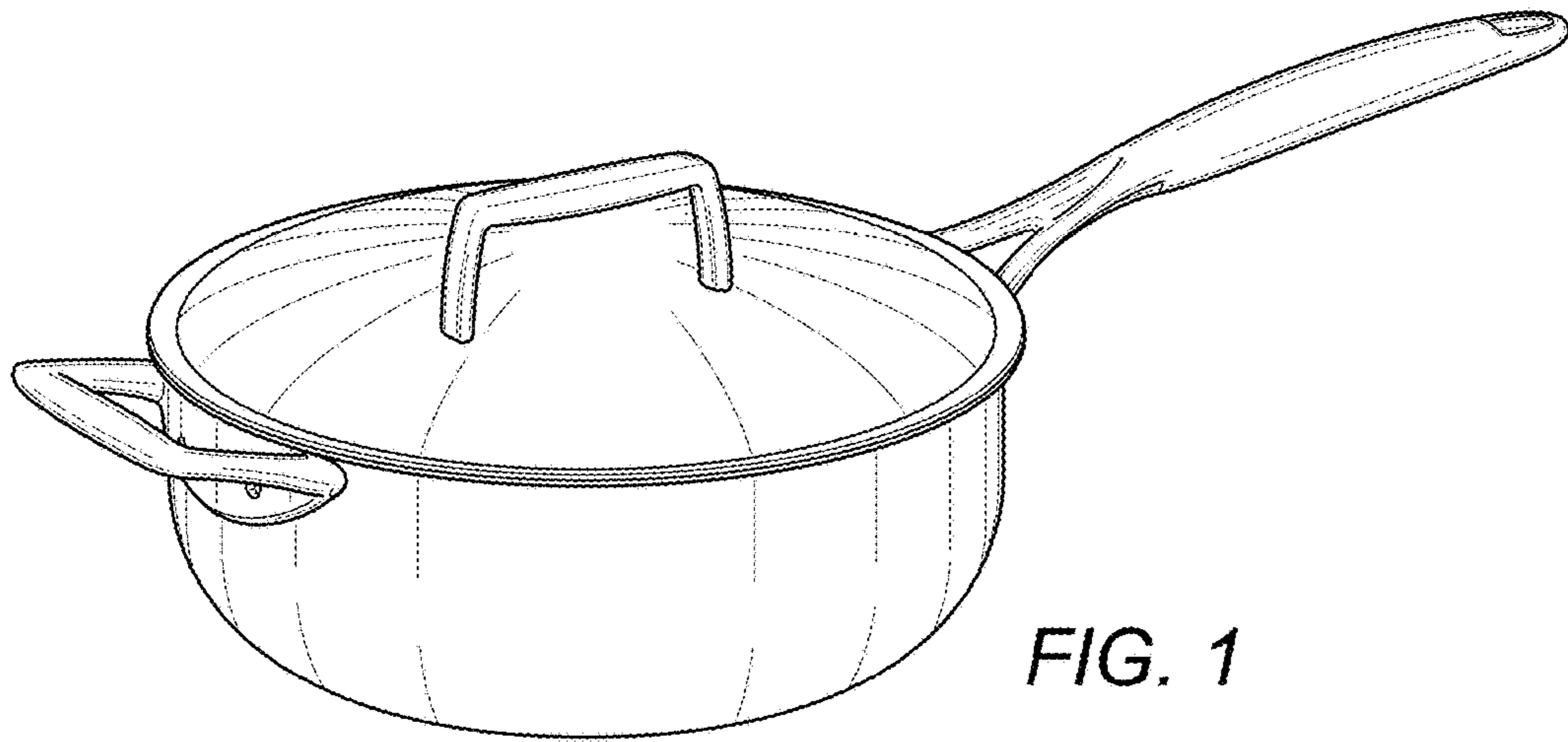
The ornamental design for a saucepan, as shown and described.

**DESCRIPTION**

FIG. 1 is a perspective view of a saucepan showing my new design.  
FIG. 2 is a side elevation view thereof;  
FIG. 3 is an opposite side elevation view thereof;  
FIG. 4 is an end elevation view thereof;  
FIG. 5 is an opposite end elevation view thereof;  
FIG. 6 is a top plan view thereof; and,  
FIG. 7 is a bottom plan view thereof.

**1 Claim, 2 Drawing Sheets**





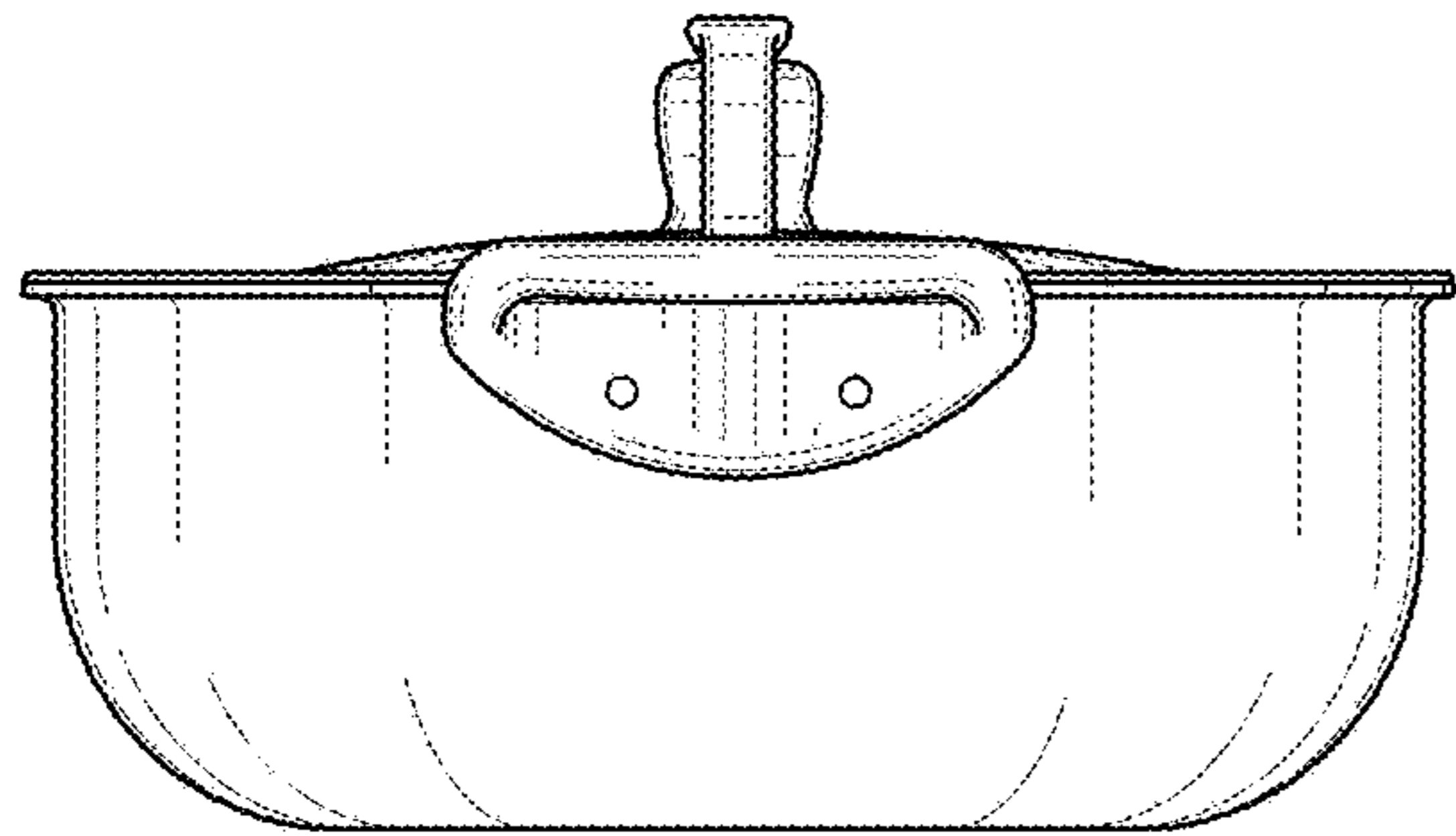


FIG. 4

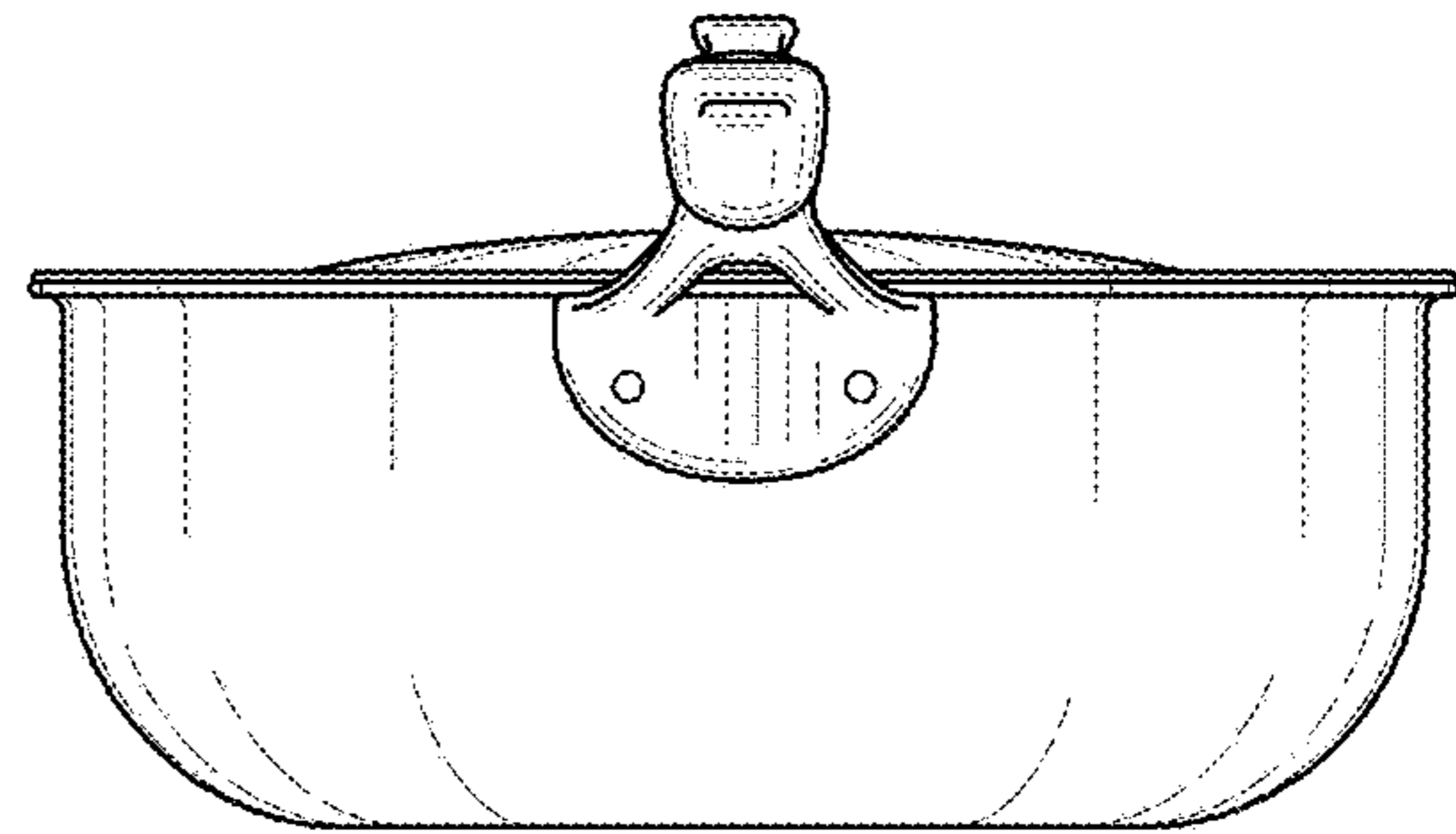


FIG. 5

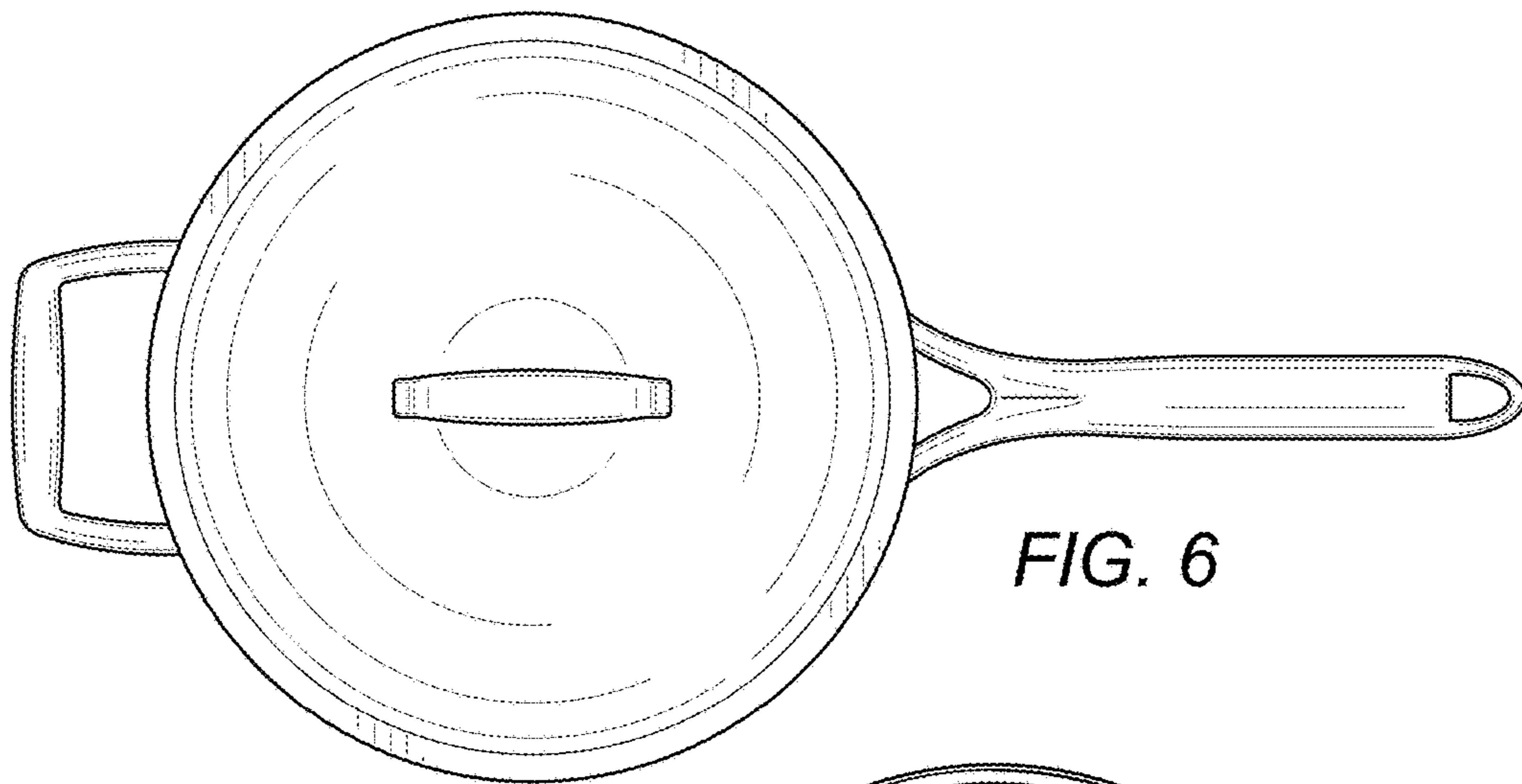


FIG. 6

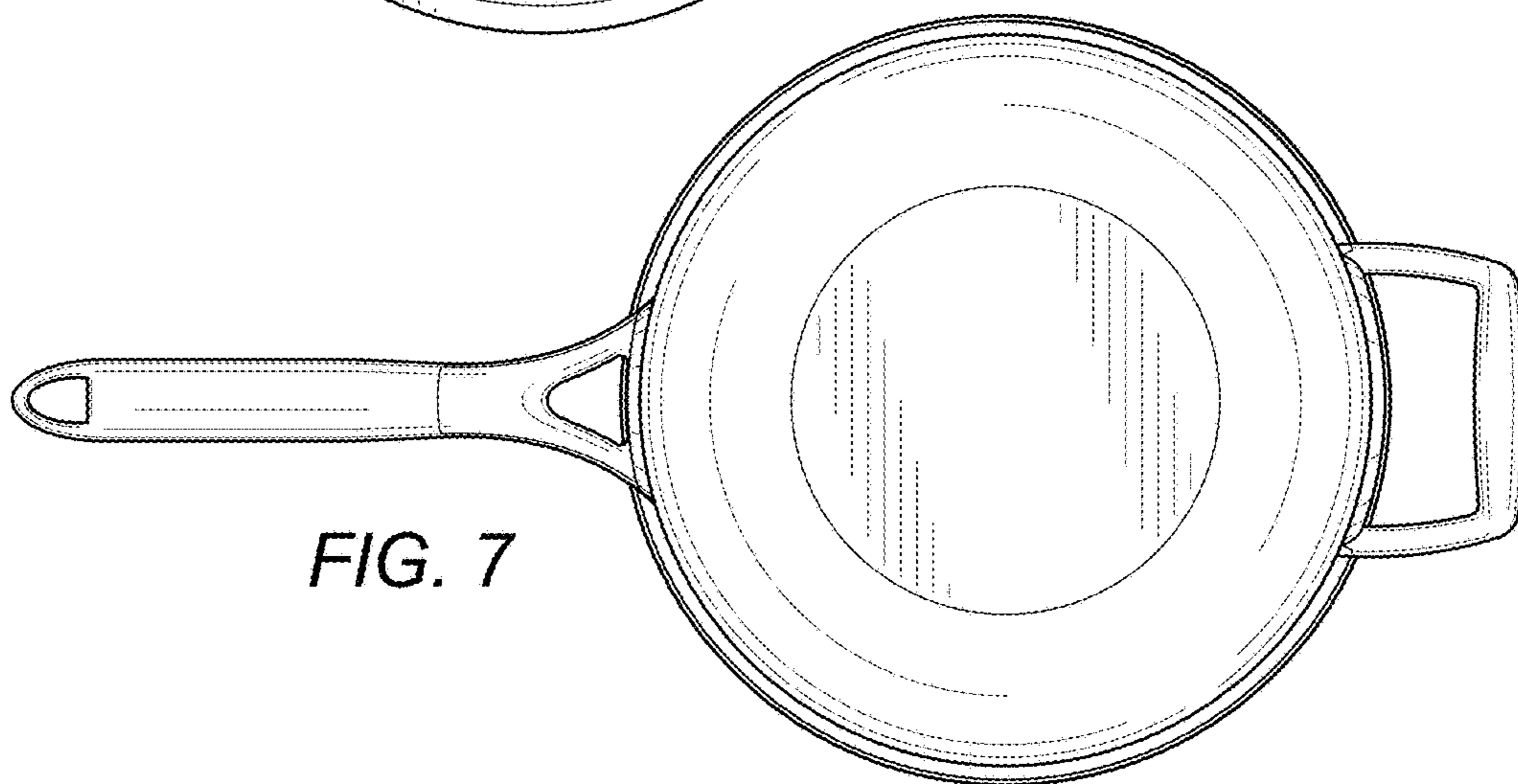


FIG. 7