



US00D819391S

(12) **United States Design Patent**
Effler et al.

(10) **Patent No.:** **US D819,391 S**
(45) **Date of Patent:** **** Jun. 5, 2018**

(54) **MICROWAVE BACON TRAY**

(71) Applicants: **Jenna Effler**, Pittsburgh, PA (US); **Tom Chavara**, Pittsburgh, PA (US); **Dino Mariano**, Bridgeville, PA (US); **Hyukjae Chang**, Pittsburgh, PA (US); **Marvin Church**, Apollo, PA (US)

(72) Inventors: **Jenna Effler**, Pittsburgh, PA (US); **Tom Chavara**, Pittsburgh, PA (US); **Dino Mariano**, Bridgeville, PA (US); **Hyukjae Chang**, Pittsburgh, PA (US); **Marvin Church**, Apollo, PA (US)

(73) Assignee: **HELEN OF TROY LIMITED**, St. Michael (BB)

(**) Term: **15 Years**

(21) Appl. No.: **29/586,453**

(22) Filed: **Dec. 3, 2016**

(51) **LOC (11) Cl.** **07-02**

(52) **U.S. Cl.**

USPC **D7/359**

(58) **Field of Classification Search**

USPC D7/301–303, 309, 319, 323, 328–330, D7/337, 347, 352–365, 367, 388, 399, D7/402, 409–411, 502, 523, 531, 538, D7/543, 554.1, 554.2, 565–566, 585, 602, D7/605, 607, 609, 611; D2/896, 897, D2/902; D1/121–122, 199
CPC .. A47J 37/00; A47J 37/04; A47J 37/06; A47J 37/0611; A47J 37/067; A47J 37/0605; A47J 37/0623; A47J 37/0629; A47J 37/0676; A47J 27/60; A47J 27/62; A47J 27/21; A47J 27/21008; A47J 27/21041; A47J 36/022; A47J 36/025; A47J 36/027; A47J 43/44; A47J 2037/06; A47J 2037/0611; A21B 3/13; A21B 3/131; A21B 3/132; A21B

(Continued)

(56) **References Cited**

U.S. PATENT DOCUMENTS

D297,393 S * 8/1988 Picozza D7/359
D386,939 S * 12/1997 Kelly D7/359

(Continued)

OTHER PUBLICATIONS

The 10 Best Microwave Bacon Cookers, updated Feb. 27, 2018 [online], retrieved Mar. 27, 2018, retrieved from internet <<https://wiki.ezvid.com/best-microwave-bacon-cookers>>.*

(Continued)

Primary Examiner — Barbara Fox

Assistant Examiner — Messina L Smith

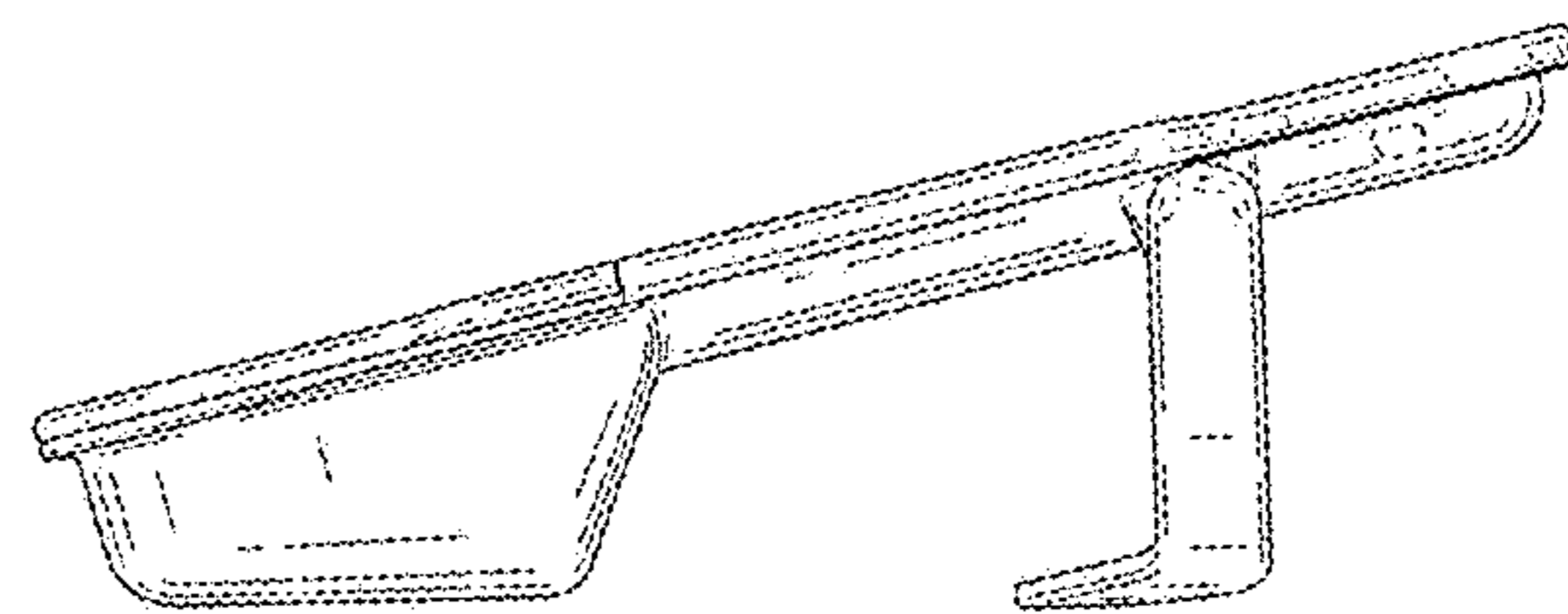
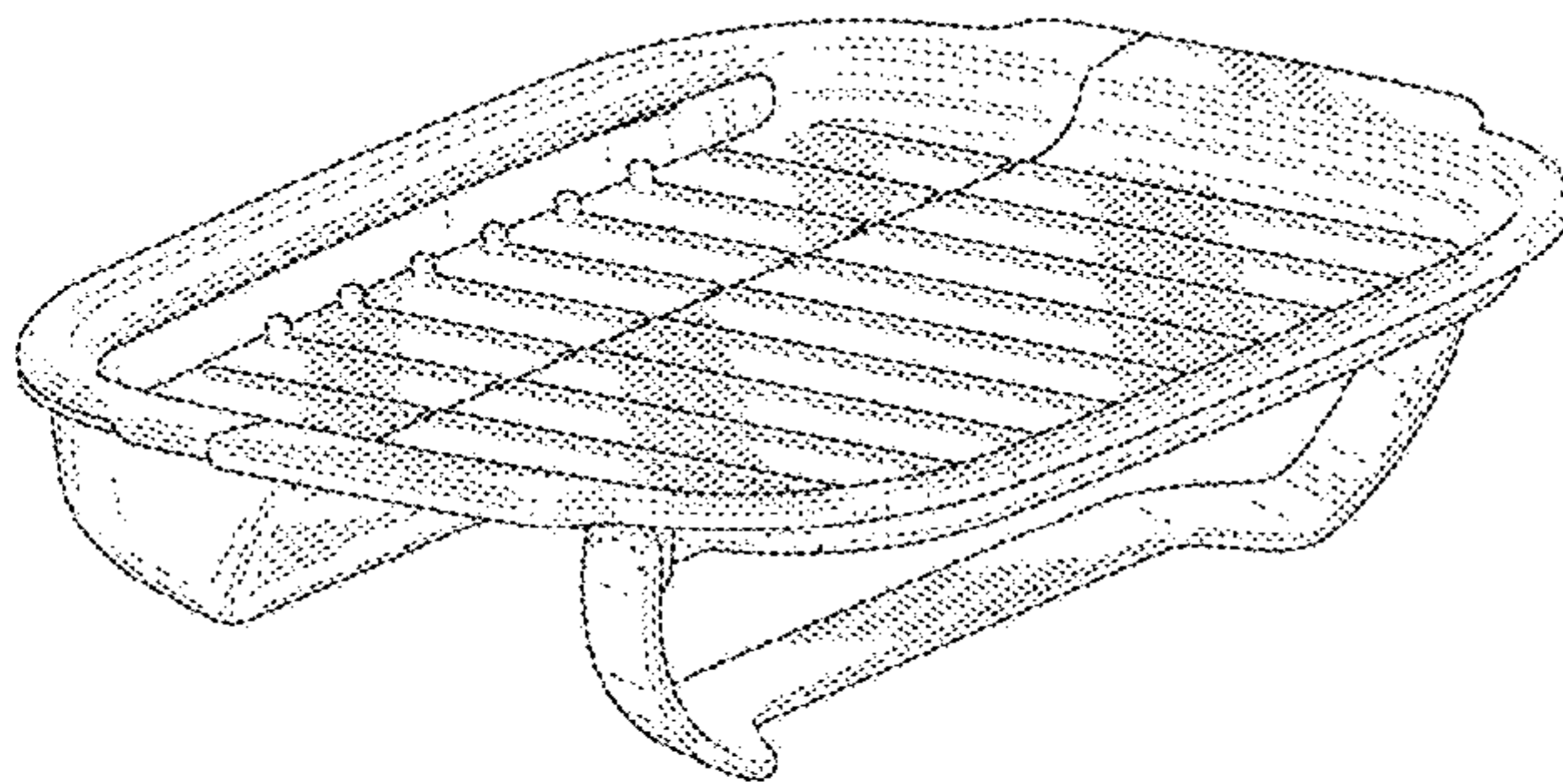
(57) **CLAIM**

The ornamental design for a microwave bacon tray, as shown, and described.

DESCRIPTION

FIG. 1 is a perspective view of a microwave bacon tray showing my new design in an unfolded position; FIG. 2 is a front view of the microwave bacon tray; FIG. 3 is a rear view of the microwave bacon tray; FIG. 4 is a left view of the microwave bacon tray; FIG. 5 is a right view of the microwave bacon tray; FIG. 6 is a top view of the microwave bacon tray; FIG. 7 is a bottom view of the microwave bacon tray; FIG. 8 is a perspective view of the microwave bacon tray in a folded position; FIG. 9 is a front view of the microwave bacon tray; FIG. 10 is a rear view of the microwave bacon tray; FIG. 11 is a left view of the microwave bacon tray; FIG. 12 is a right view of the microwave bacon tray; FIG. 13 is a top view of the microwave bacon tray; and, FIG. 14 is a bottom view of the microwave bacon tray.

(Continued)



The broken lines in the drawings depict portions of the microwave bacon tray that form no part of the claimed design.

1 Claim, 14 Drawing Sheets

(58) Field of Classification Search

CPC 3/133; A21B 3/138; A21B 3/15; A21B 5/023; A21D 12/33; A47G 19/02; A47G 19/027; A47G 19/22; F24C 15/10; F24C 15/102; H05B 6/02; H05B 6/062

See application file for complete search history.

(56) References Cited

U.S. PATENT DOCUMENTS

D431,152	S *	9/2000	Lee	D7/362
D451,347	S *	12/2001	Kleckauskas	D7/359
D494,413	S *	8/2004	Joss	D7/402
D593,791	S *	6/2009	Joensson	D7/367
D611,762	S *	3/2010	Liu	D7/409
9,468,334	B2 *	10/2016	Liu	A47J 37/067
2003/0180426	A1 *	9/2003	Wright	A47J 36/02
2005/0233036	A1 *	10/2005	Edwards et al.	A23B 4/00
2009/0206075	A1 *	8/2009	Lafferty	H05B 6/6494 219/734

2016/0015212	A1 *	1/2016	Yang	A47J 37/0611 99/379
2016/0106253	A1 *	4/2016	Klock	A47J 29/02 99/380
2016/0128510	A1 *	5/2016	Jones	A47J 36/08 219/450.1
2016/0270594	A1 *	9/2016	Verheem	A23L 1/31

OTHER PUBLICATIONS

5 Minute Breakfast Sandwich, posted Feb. 7, 2017 [online], retrieved Mar. 28, 2018, retrieved from internet, <<https://javacupcake.com/2017/02/5-minute-breakfast-sandwich/>>.*

Progressive Prep Solutions Large Microwave Grill, posted Oct. 2, 2013 [online], retrieved Mar. 27, 2018, retrieved from internet, <https://www.amazon.com/Progressive-Solutions-Large-Microwave-10-Inch/dp/B00F45K02O/ref=sr_1_5?ie=UTF8&qid=1522162277&sr=8-5&keywords=microwave+bacon+tray>.*

OXO Good Grips Microwave Bacon Cooker, posted Feb. 16, 2017 [online], retrieved Mar. 28, 2018, retrieved from internet, <<https://www.amazon.com/OXO-Grips-Microwave-Bacon-Cooker/dp/B06W2MHM7W>>.*

How to Make the Crispiest (But Not Greasy) Bacon Ever, posted Jan. 17, 2017 [online], retrieved Mar. 28, 2018, retrieved from internet, <<http://blog.oxo.com/crispy-bacon-not-greasy/>>.*

* cited by examiner

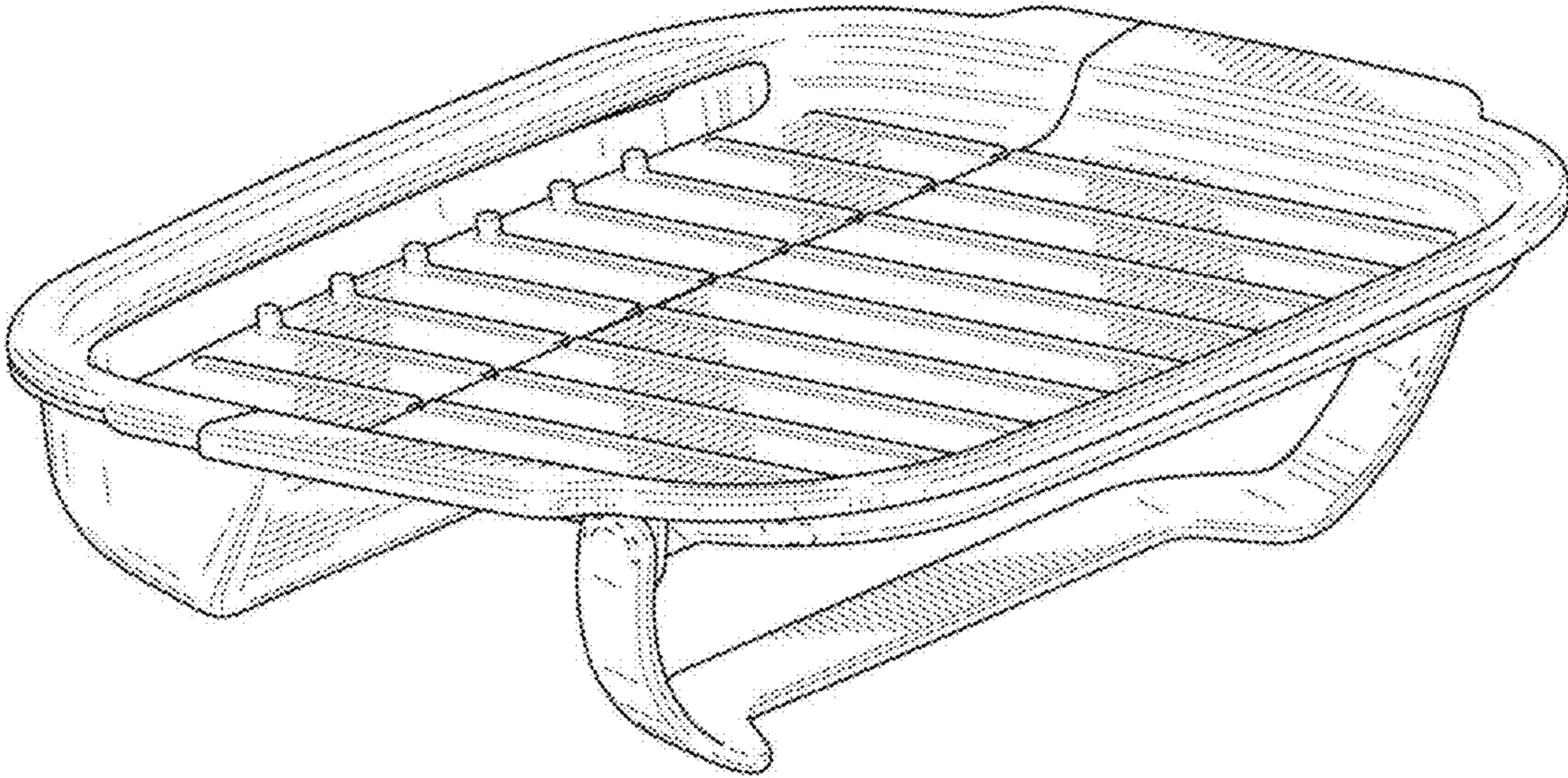


Figure 1

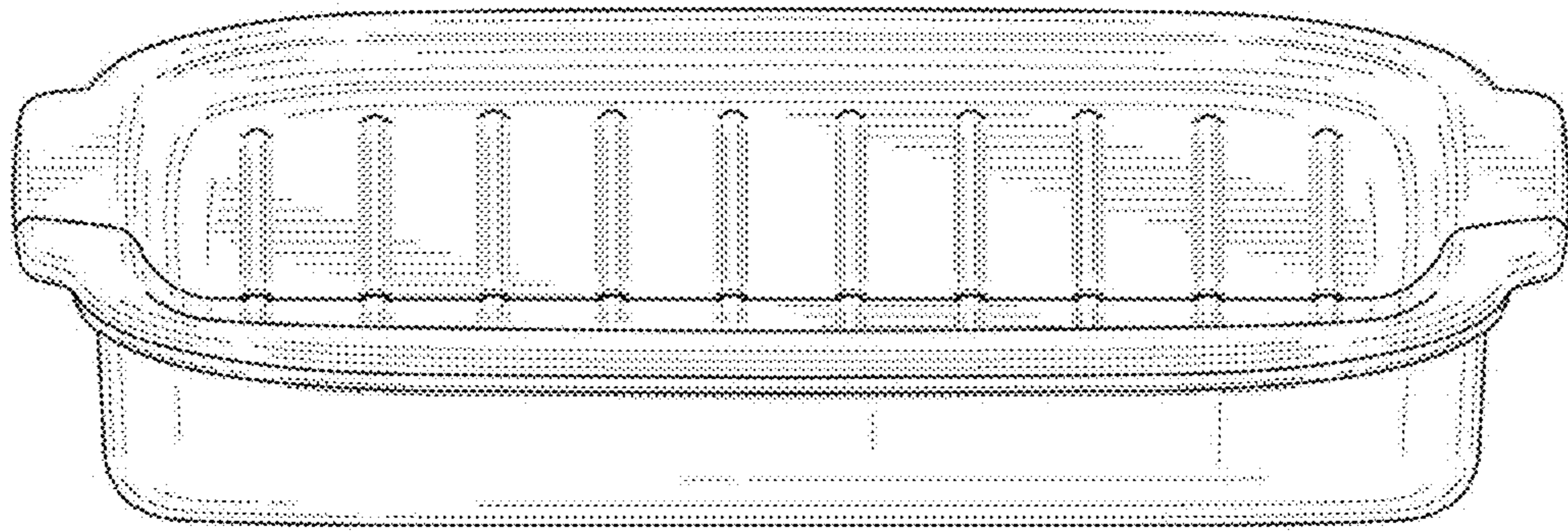


Figure 2

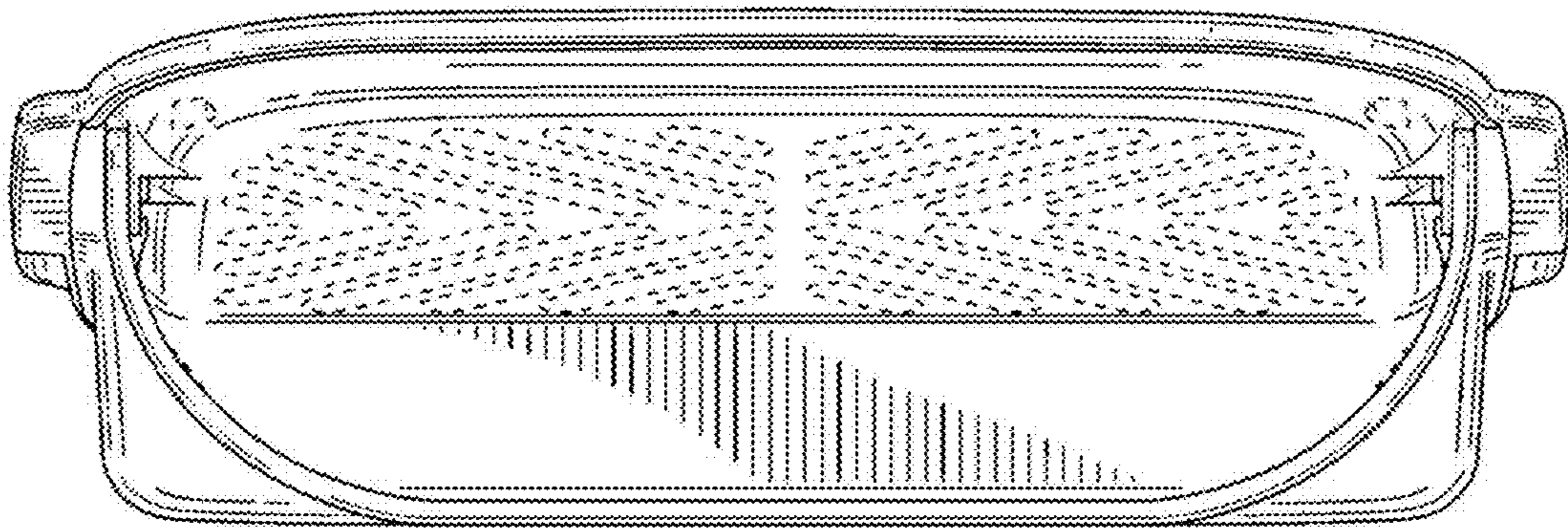


Figure 3

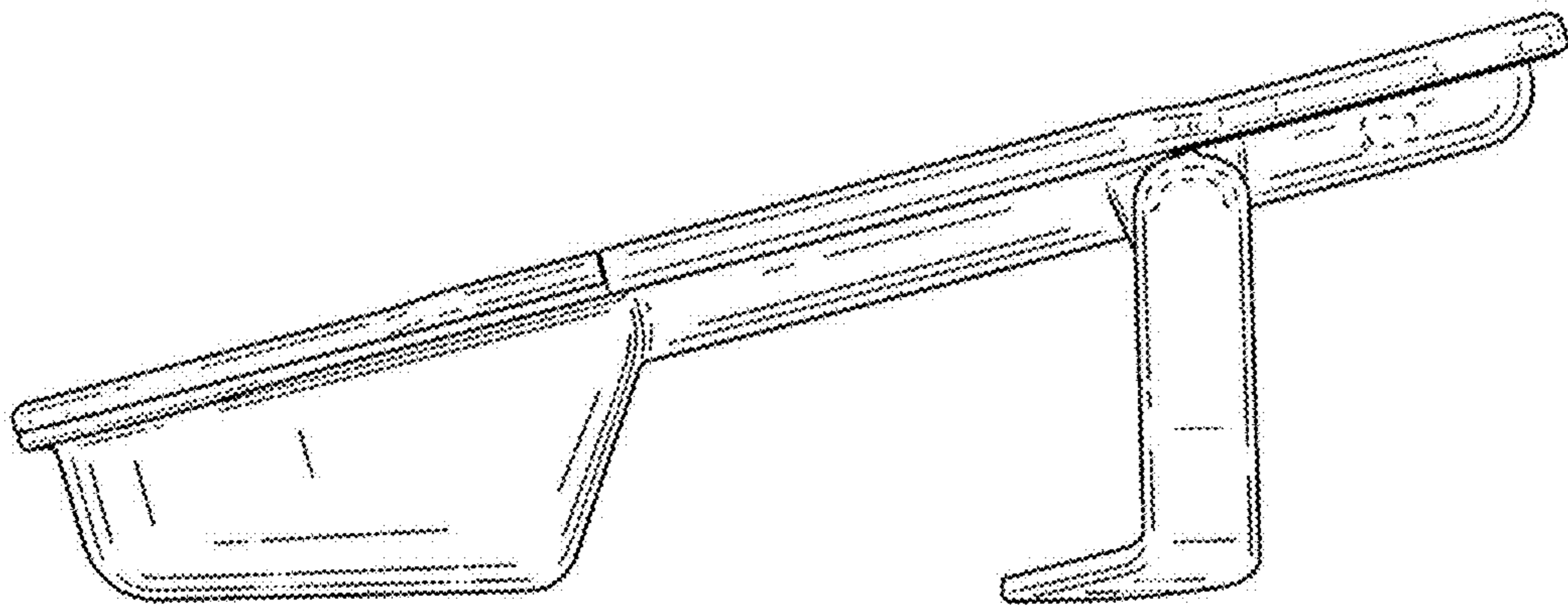


Figure 4

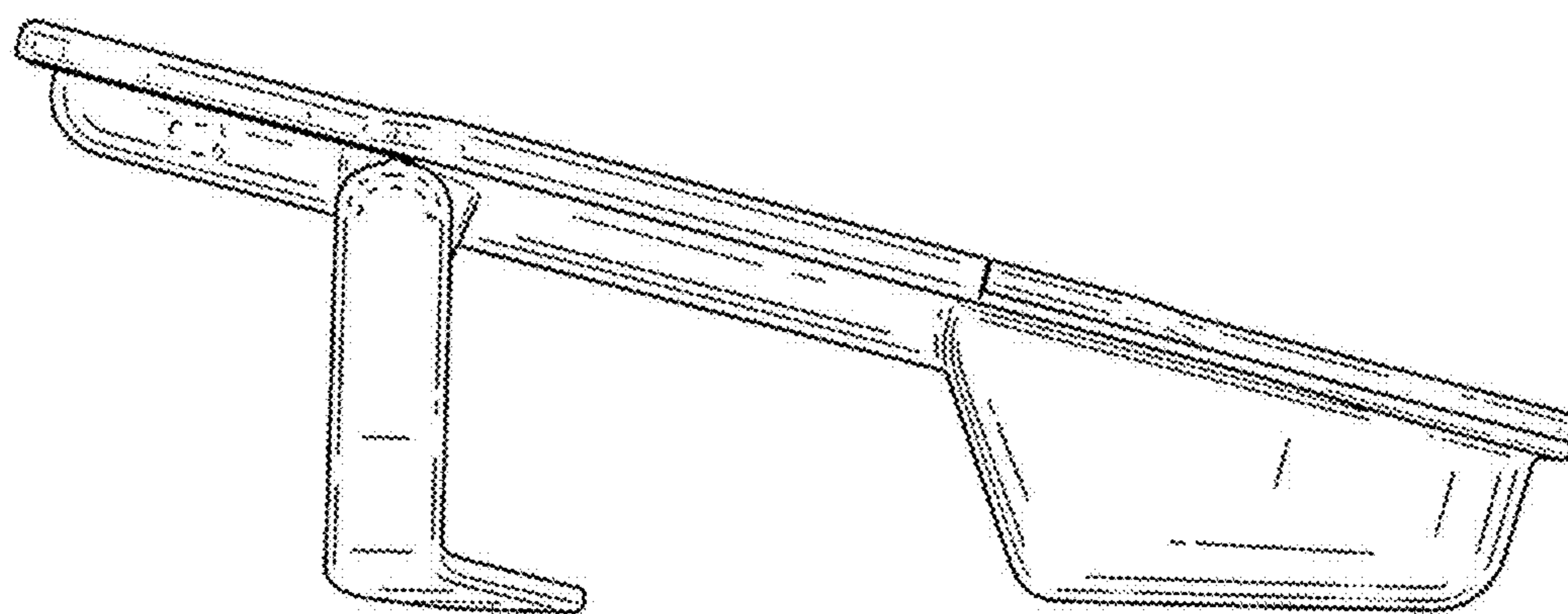


Figure 5

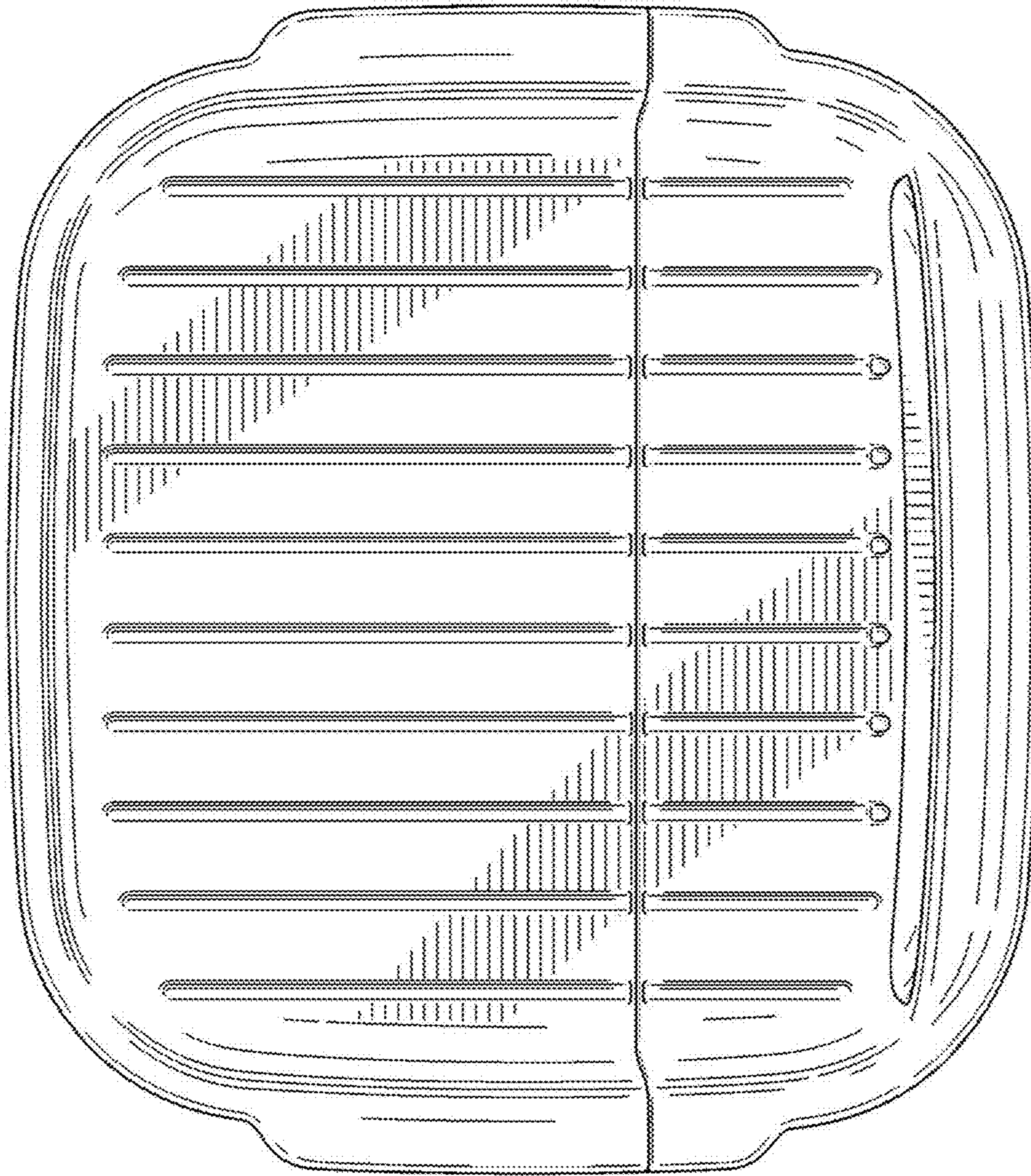


Figure 6

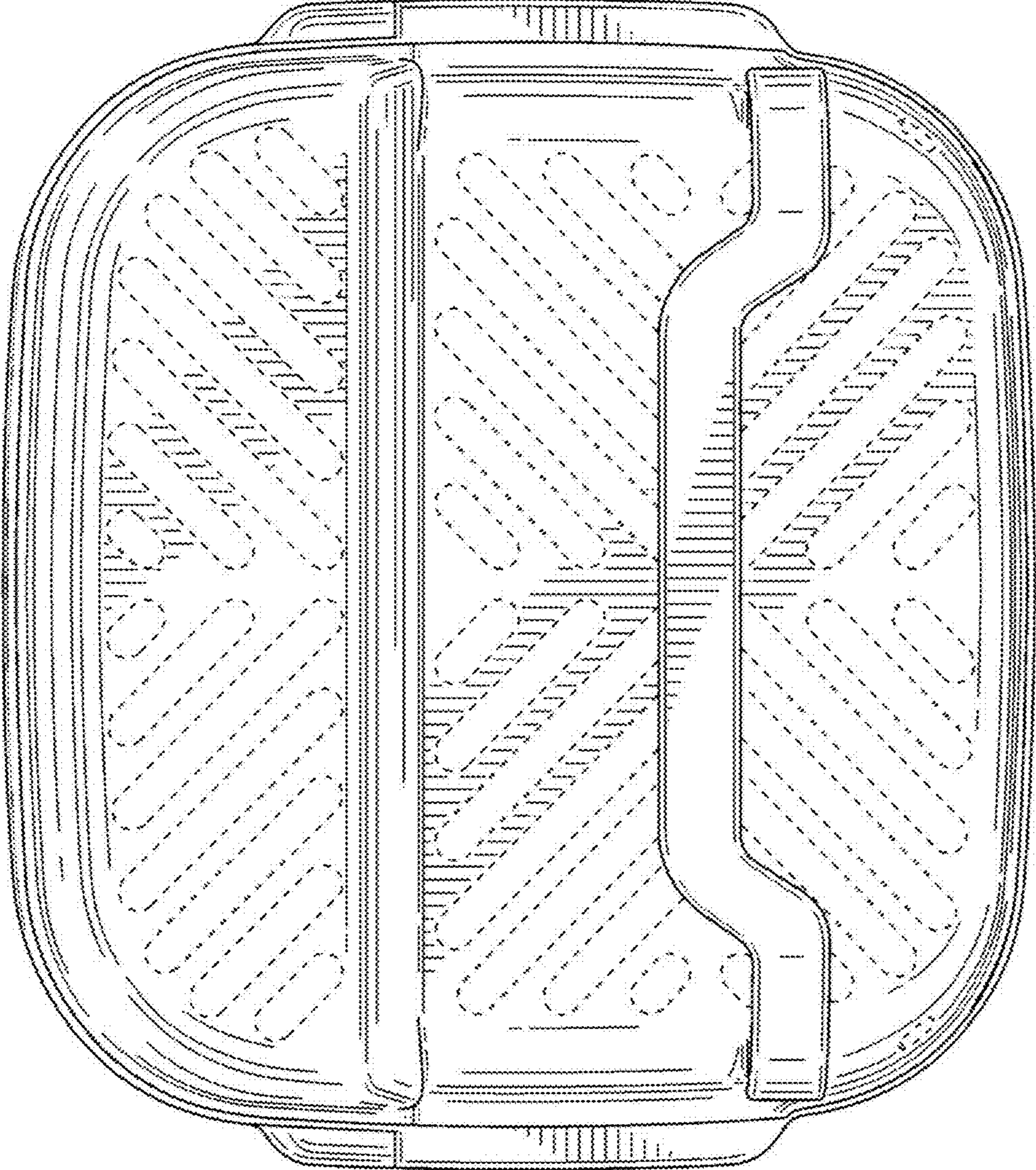


Figure 7

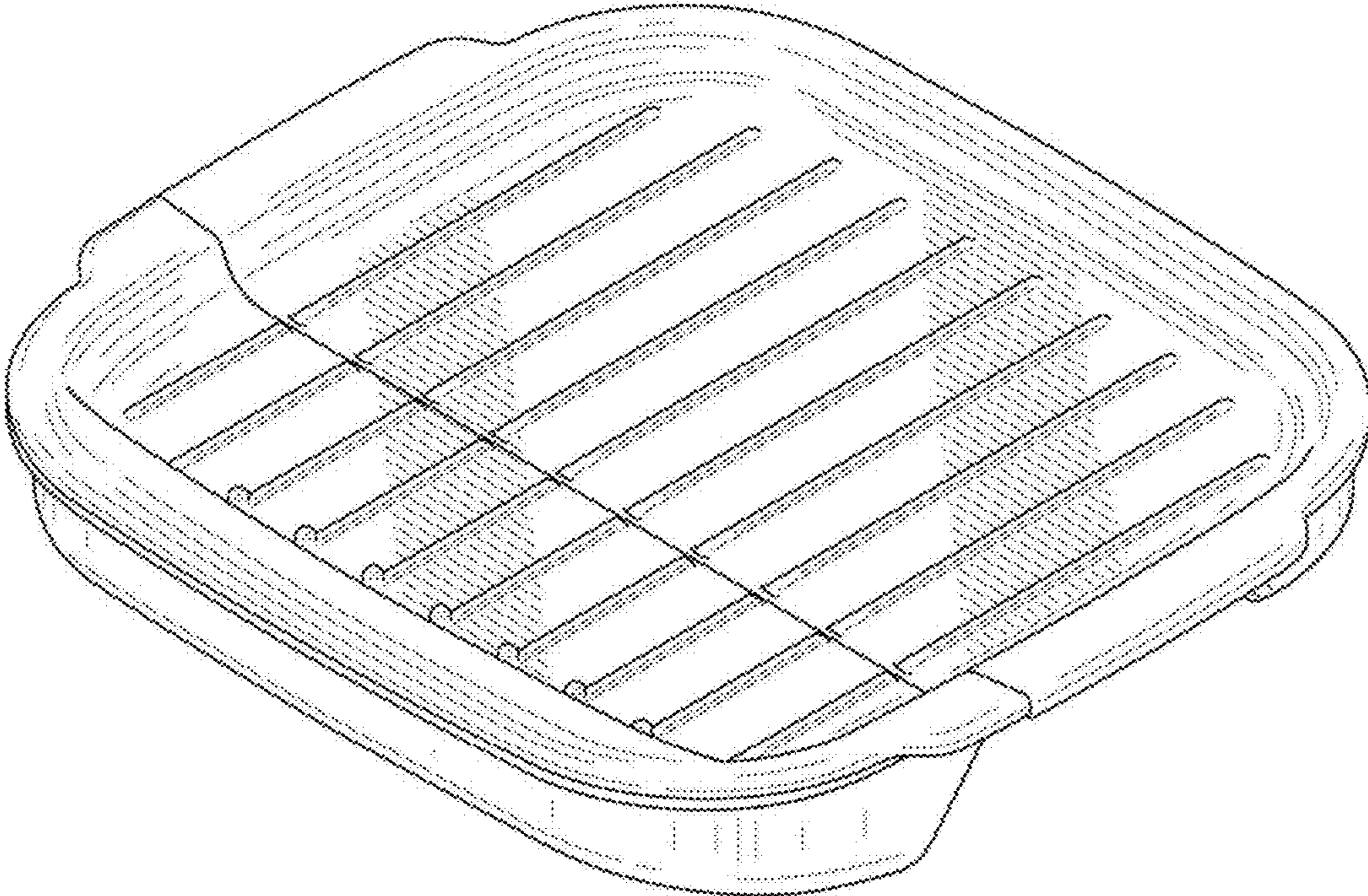


Figure 8

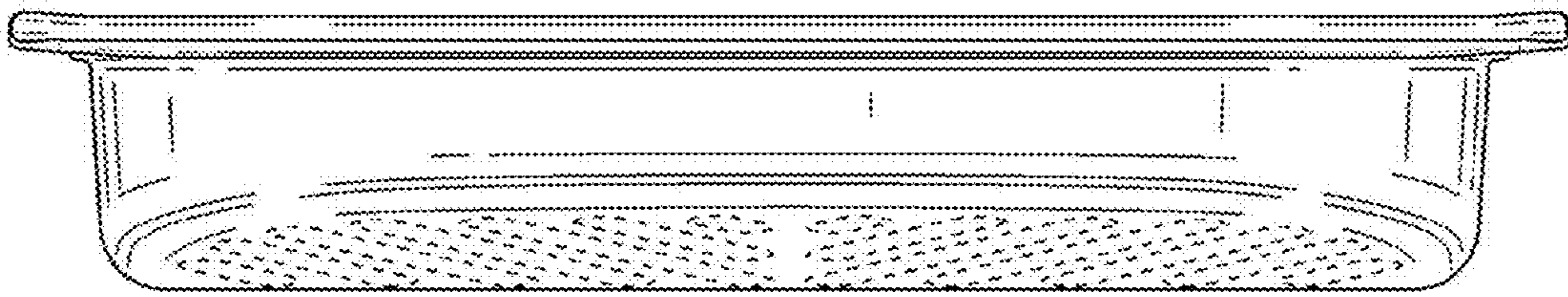


Figure 9

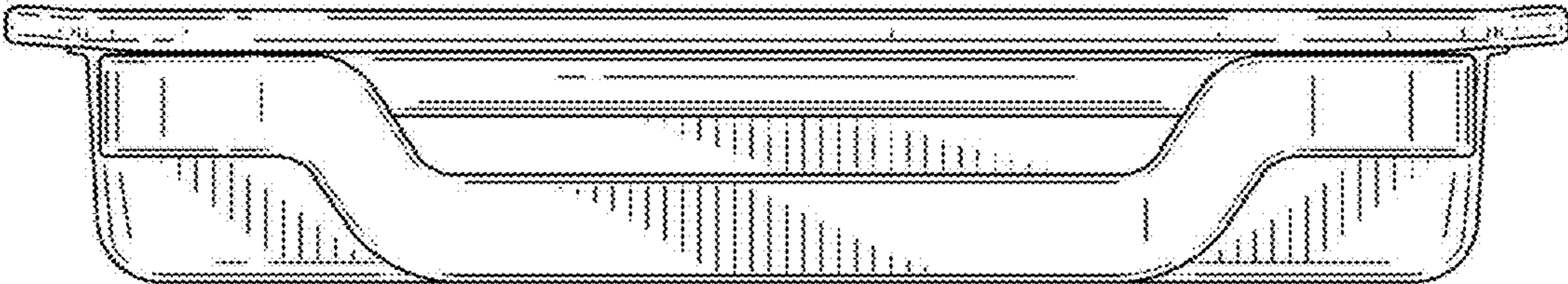


Figure 10



Figure 11

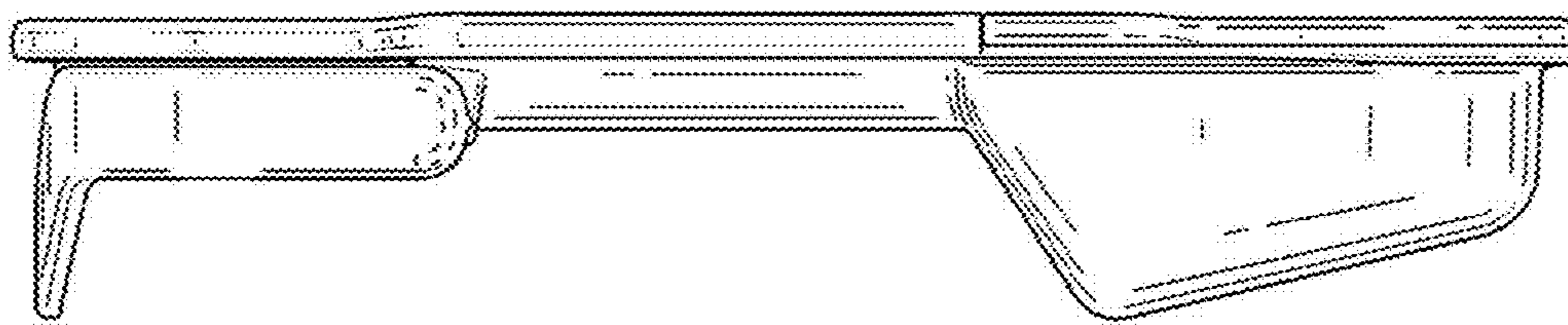


Figure 12

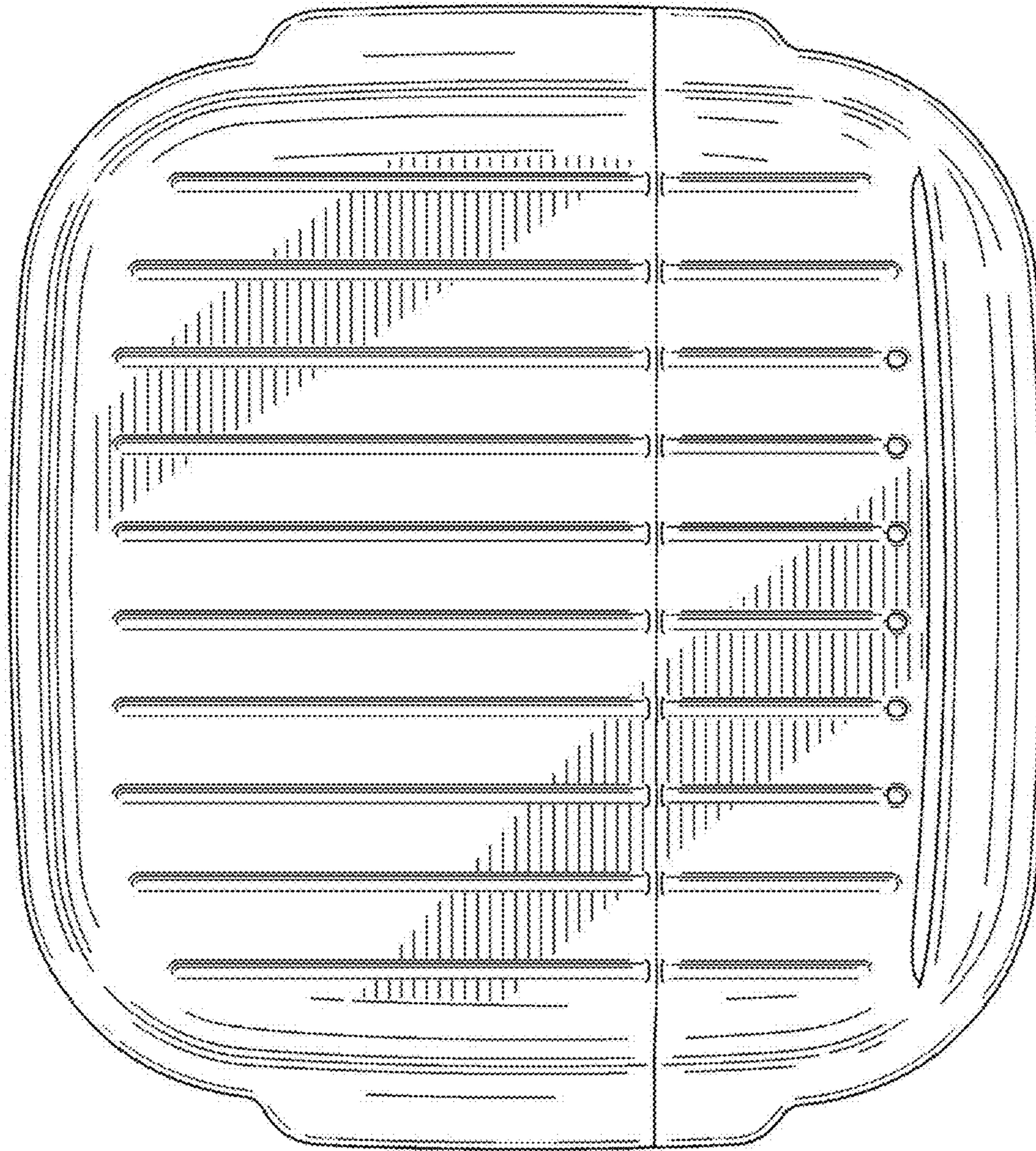


Figure 13

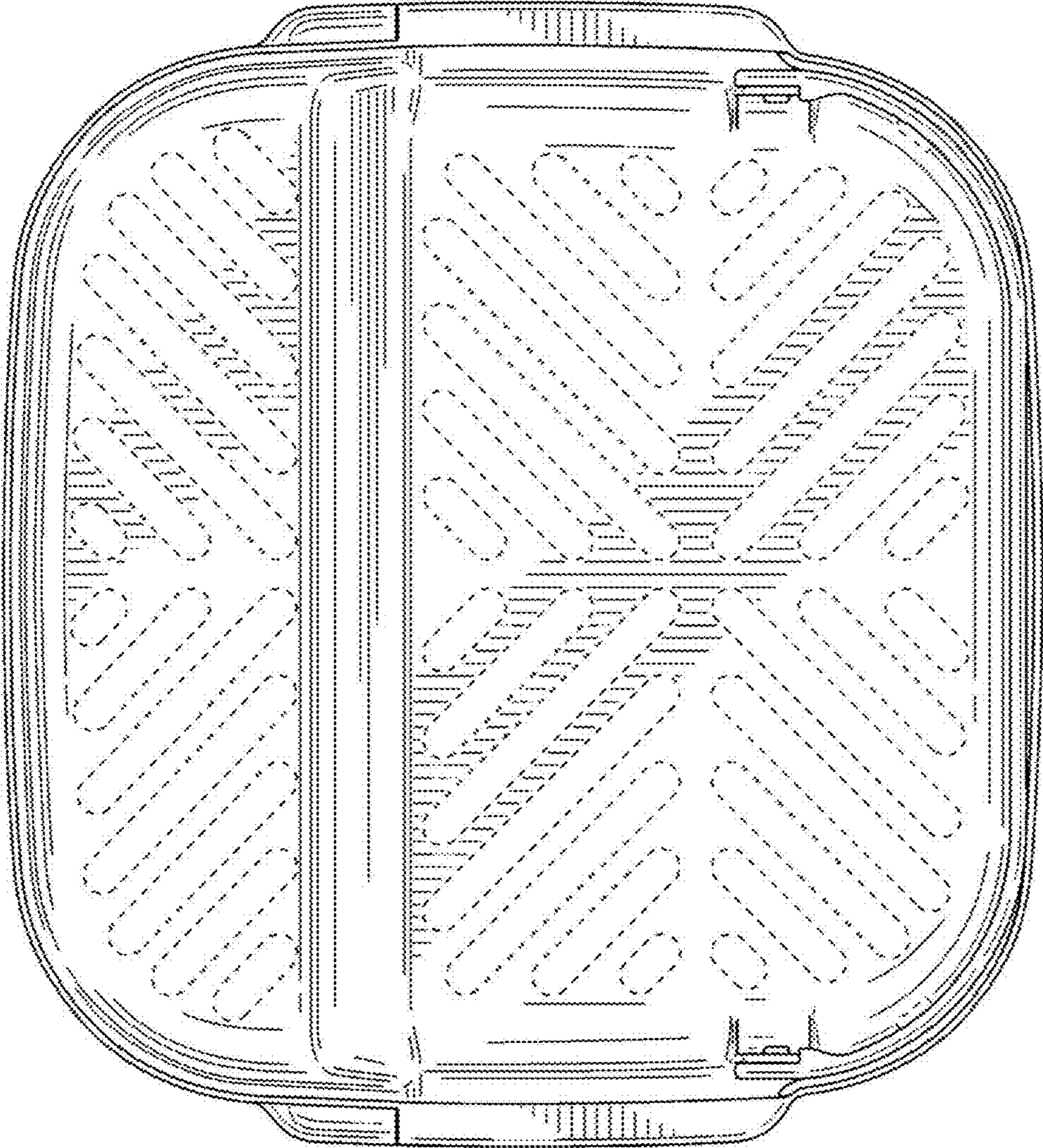


Figure 14