



US00D819389S

(12) **United States Design Patent**  
**Dutrue**

(10) **Patent No.:** **US D819,389 S**  
(45) **Date of Patent:** **\*\* Jun. 5, 2018**

(54) **ELECTRIC FRYER**

1/01; A23L 1/0107; A23L 1/0114; G07F  
17/0064; G07F 17/0078; G07F 17/0085

See application file for complete search history.

(71) Applicant: **SEB**, Selongey (FR)

(72) Inventor: **Laurent Dutruel**, Dole (FR)

(73) Assignee: **SEB**, Selongey (FR)

(\*\*) Term: **15 Years**

(21) Appl. No.: **29/546,775**

(22) Filed: **Nov. 25, 2015**

(30) **Foreign Application Priority Data**

May 29, 2015 (EM) ..... 002709741-0001  
May 29, 2015 (EM) ..... 002709741-0002  
May 29, 2015 (EM) ..... 002709741-0003

(51) **LOC (11) Cl.** ..... **07-02**

(52) **U.S. Cl.**  
USPC ..... **D7/354**

(58) **Field of Classification Search**

USPC ..... D7/323, 354–363, 391, 393–396, 402,  
D7/409, 560; D3/201, 202, 203.1, 270,  
D3/271.1; D9/434, 435, 438, 439, 440,  
D9/443, 446, 447, 448, 449, 450, 452,  
D9/453, 454, 456, 502, 503, 504, 529  
CPC ..... A47G 19/12; A47J 27/00; A47J 27/002;  
A47J 27/08; A47J 27/21; A47J 27/58;  
A47J 36/025; A47J 36/06; A47J 36/12;  
A47J 36/38; A47J 36/08; A47J 36/10;  
A47J 36/165; A47J 36/18; A47J 36/20;  
A47J 36/22; A47J 37/00; A47J 37/10;  
A47J 37/101; A47J 37/103; A47J 37/12;  
A47J 37/1204; A47J 45/061; A47J  
45/071; A47J 45/08; A47J 27/02; A23L

(56) **References Cited**

U.S. PATENT DOCUMENTS

D366,592 S \* 1/1996 Cesaroni ..... D7/355  
D376,067 S \* 12/1996 Littmann ..... D7/354

(Continued)

*Primary Examiner* — Jennifer Rivard

*Assistant Examiner* — Catherine S Posthauer

(74) *Attorney, Agent, or Firm* — Loeb & Loeb LLP

(57) **CLAIM**

The ornamental design for an electric fryer, as shown and described.

**DESCRIPTION**

FIG. 1 is a perspective view of a first embodiment of an electric fryer showing my new design;

FIG. 2 is a front elevational view of the electric fryer of FIG. 1;

FIG. 3 is a back elevational view of the electric fryer of FIG. 1;

FIG. 4 is a right side elevational view of the electric fryer of FIG. 1;

FIG. 5 is a left side elevational view of the electric fryer of FIG. 1;

FIG. 6 is a top view of the electric fryer of FIG. 1;

FIG. 7 is a bottom view of the electric fryer of FIG. 1;

FIG. 8 is a perspective view of a second embodiment of the electric fryer;

FIG. 9 is a front elevational view of the electric fryer of FIG. 8;

FIG. 10 is a back elevational view of the electric fryer of FIG. 8;

FIG. 11 is a right side elevational view of the electric fryer of FIG. 8;

FIG. 12 is a left side elevational view of the electric fryer of FIG. 8;

FIG. 13 is a top view of the electric fryer of FIG. 8; and,

(Continued)

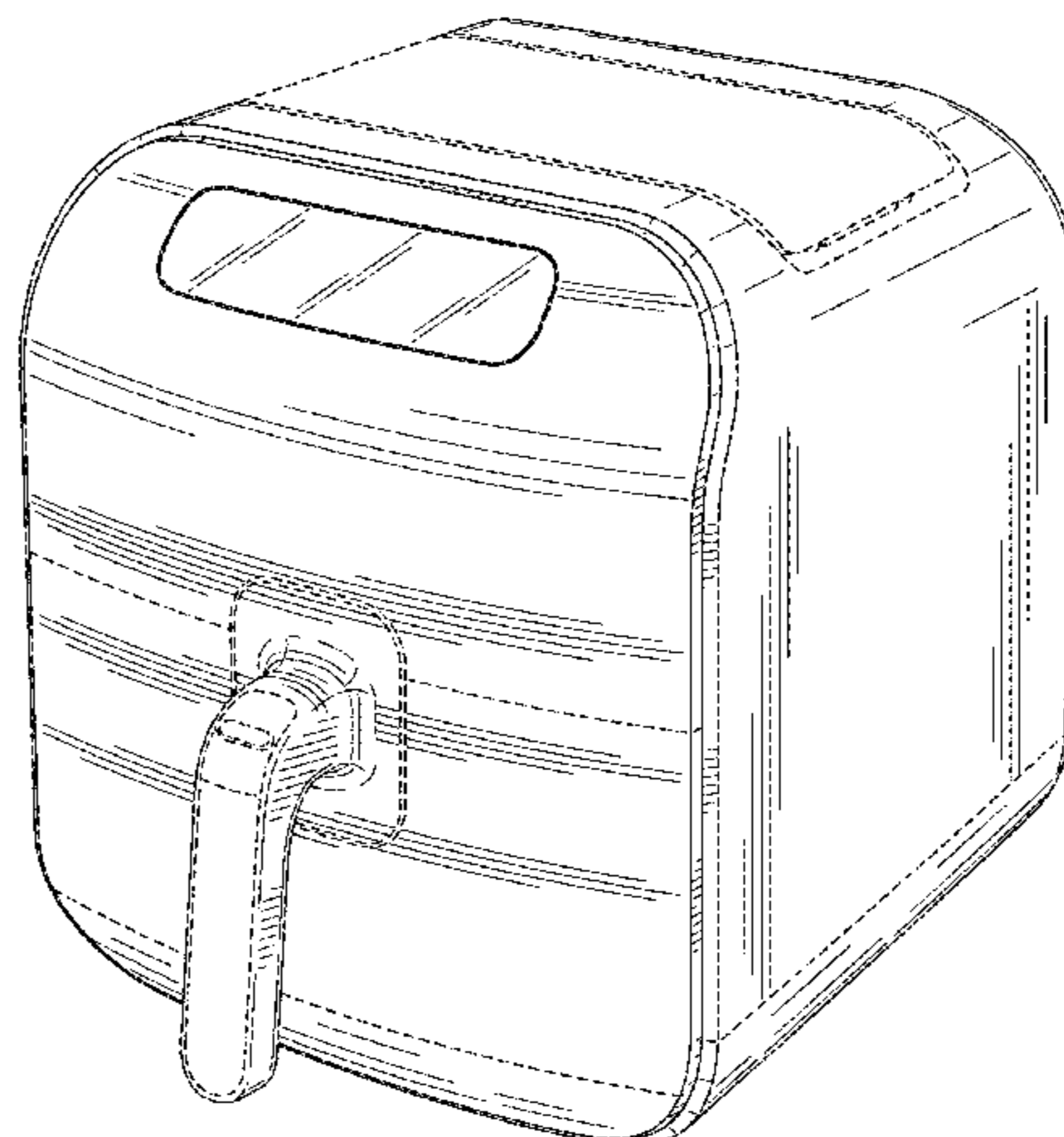
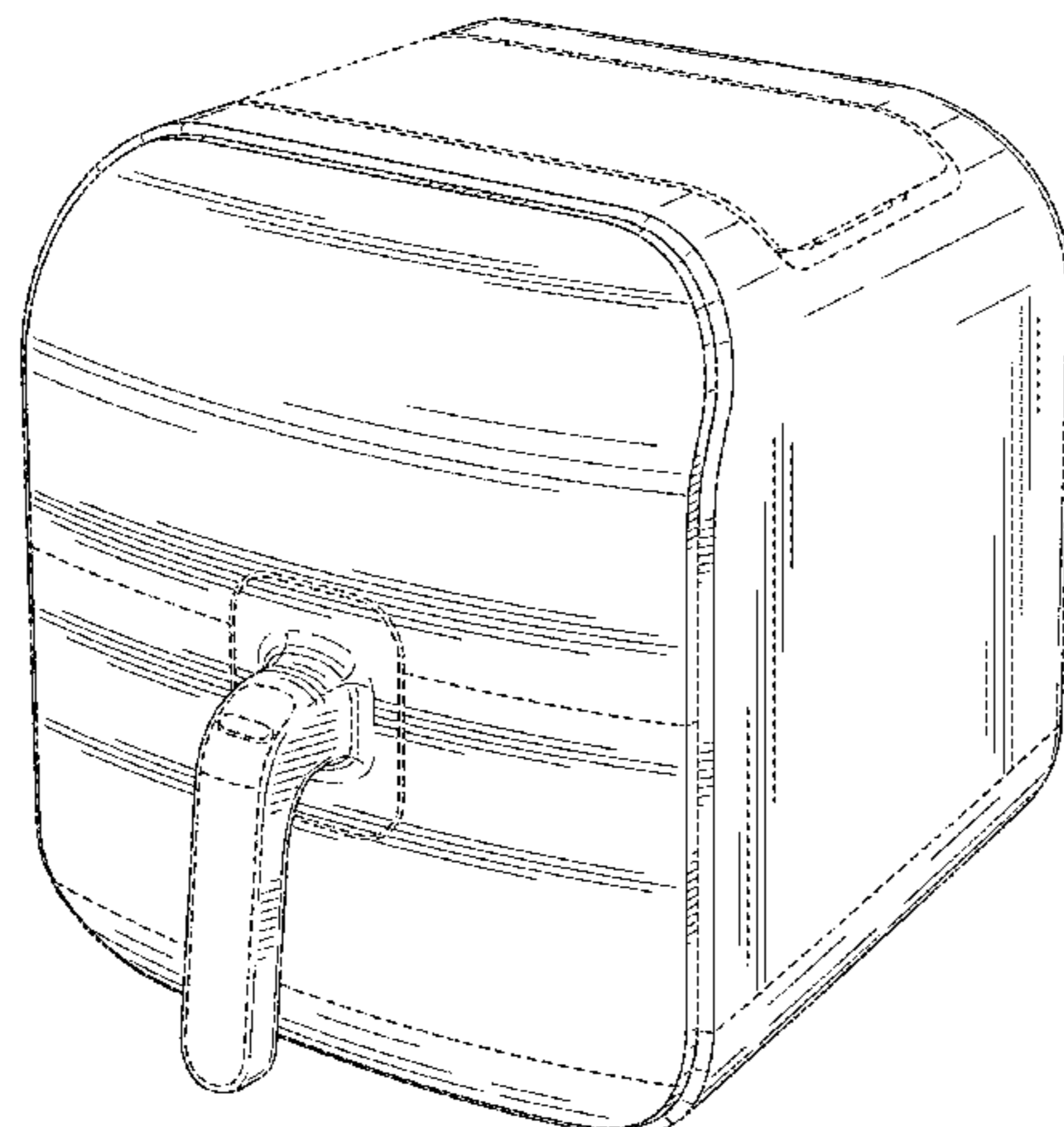


FIG. 14 is a bottom view of the electric fryer of FIG. 8. The broken lines are shown for the purpose of illustrating parts of the electric fryer that form no part of the claim.

**1 Claim, 14 Drawing Sheets**

(56)

**References Cited**

U.S. PATENT DOCUMENTS

D433,869 S \* 11/2000 Wong ..... D7/360  
 6,234,067 B1 \* 5/2001 Schmidt ..... A47J 36/12  
 126/275 R  
 D448,238 S \* 9/2001 Schmidt ..... A47J 36/12  
 D7/360  
 D451,335 S \* 12/2001 Rossman ..... D7/360  
 D474,937 S \* 5/2003 Josancy ..... D7/354  
 D502,845 S \* 3/2005 Wilgus ..... D7/605  
 D539,599 S \* 4/2007 De'Longhi ..... D7/354  
 D542,592 S \* 5/2007 Lubowicki ..... D7/362  
 D548,002 S \* 8/2007 De'Longhi ..... D7/362

D575,579 S \* 8/2008 Ball ..... D7/360  
 D589,293 S \* 3/2009 Averty ..... D7/350.2  
 D604,093 S \* 11/2009 Moussu ..... D7/360  
 D620,744 S \* 8/2010 Rose ..... D7/354  
 D635,818 S \* 4/2011 Tse ..... D7/354  
 D645,296 S \* 9/2011 Saboe ..... D7/354  
 D646,114 S \* 10/2011 Wong ..... D7/354  
 D647,752 S \* 11/2011 Curtis ..... D7/354  
 D680,801 S \* 4/2013 Seymour ..... D7/354  
 D680,802 S \* 4/2013 Seymour ..... D7/354  
 D684,807 S \* 6/2013 Nakatani ..... D7/354  
 D686,443 S \* 7/2013 Morabito ..... D7/332  
 D692,718 S \* 11/2013 Verbrugge ..... D7/354  
 D712,695 S \* 9/2014 Horimoto ..... D7/354  
 D730,678 S \* 6/2015 Horimoto ..... D7/358  
 D747,133 S \* 1/2016 Dutruel ..... D7/354  
 D750,418 S \* 3/2016 Allende Fritsch ..... D7/354  
 D763,034 S \* 8/2016 Berge ..... D7/354  
 D765,460 S \* 9/2016 Akiyama ..... D7/354  
 2007/0221651 A1 \* 9/2007 Kristina ..... A47J 27/004  
 219/432  
 2016/0287001 A1 \* 10/2016 Pan ..... A47J 27/04

\* cited by examiner

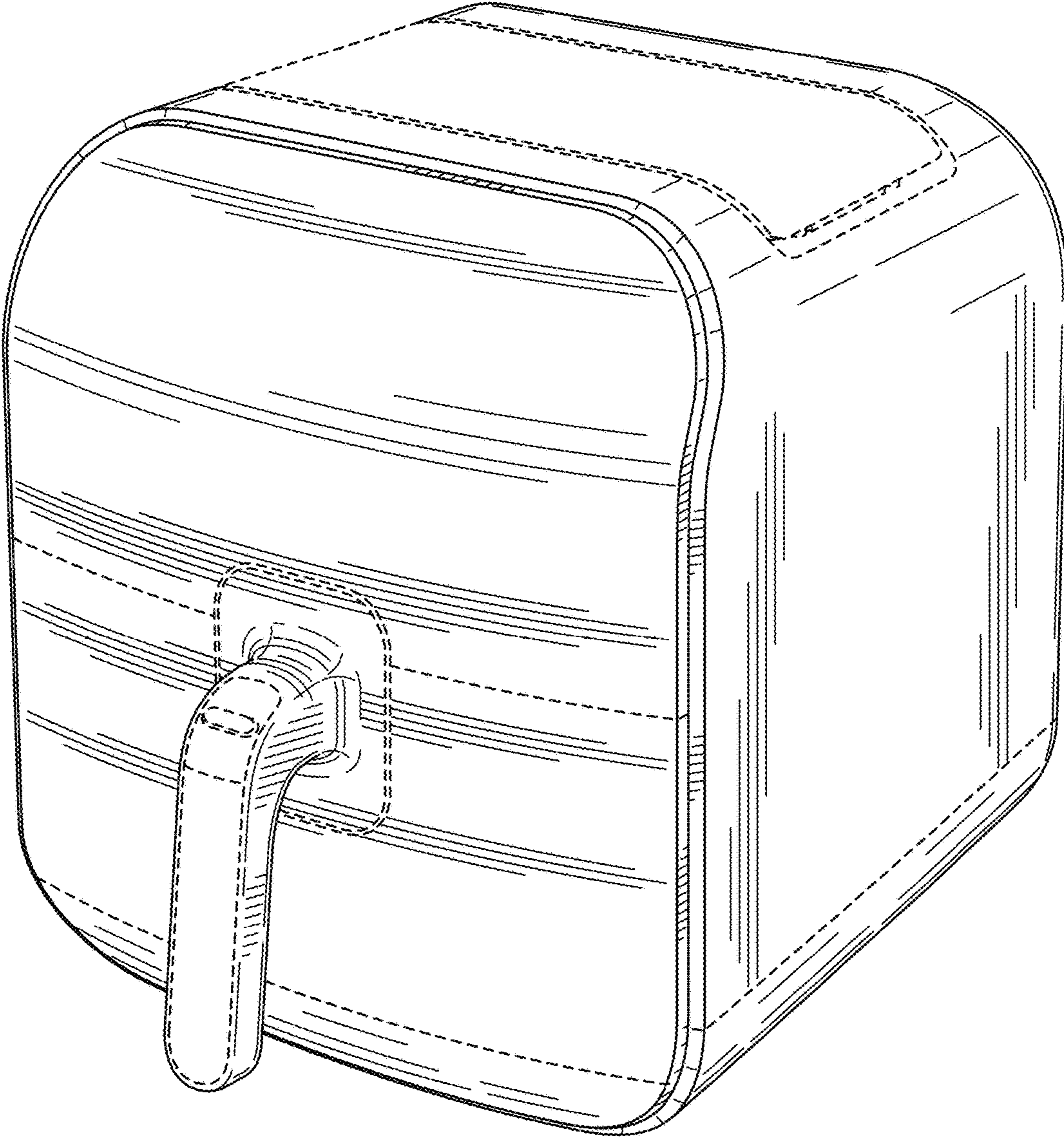


FIG. 1

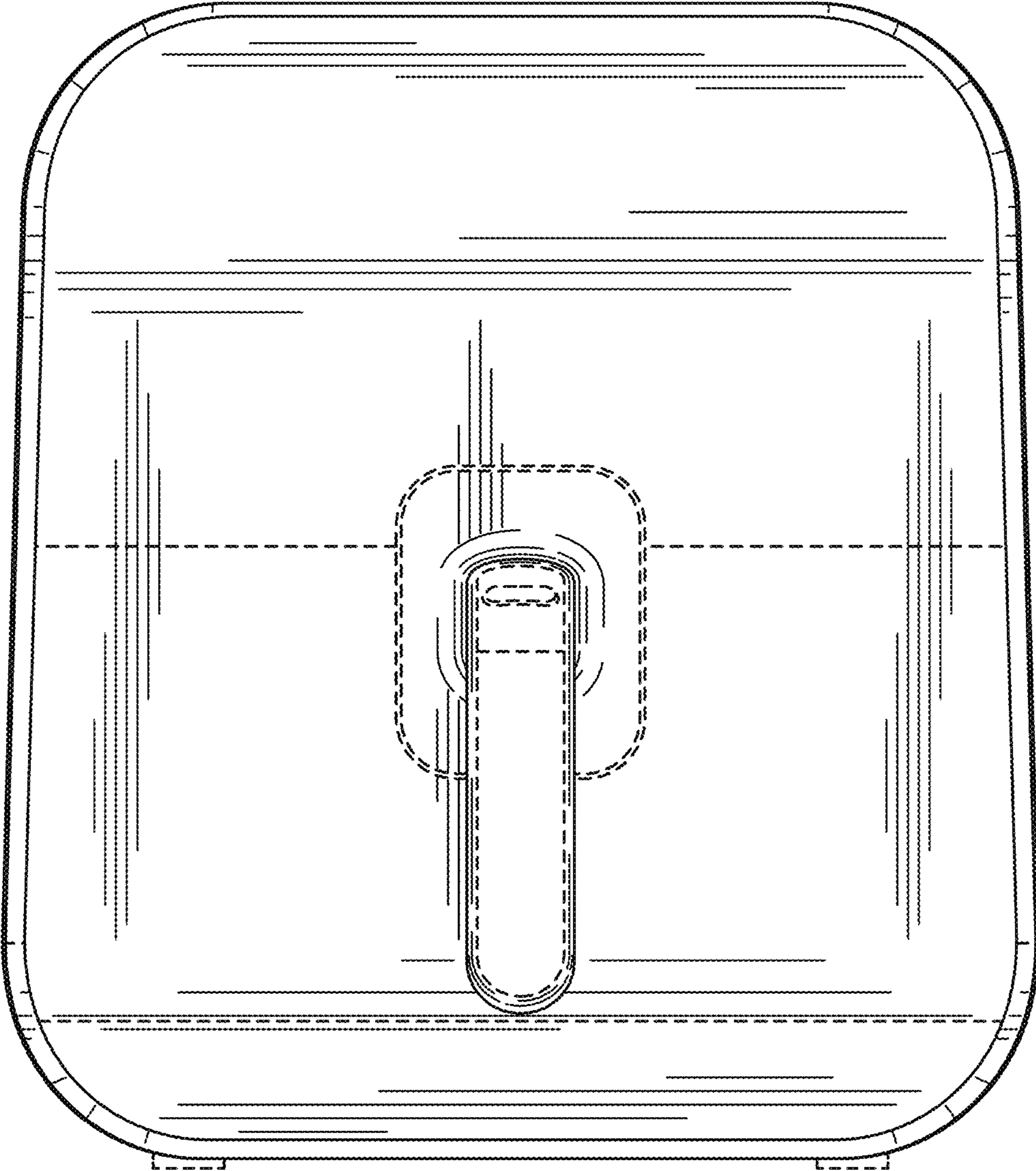


FIG. 2

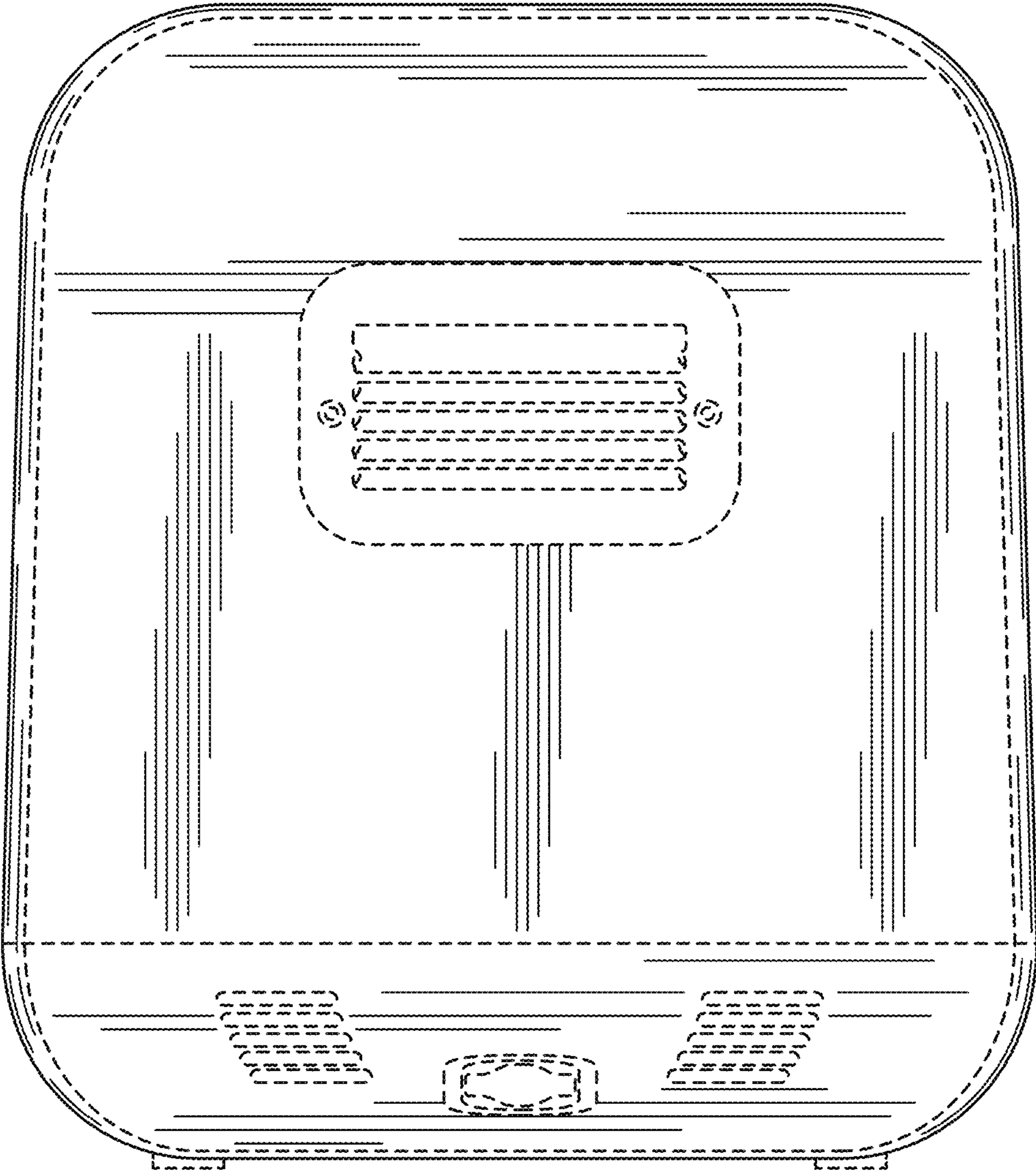


FIG. 3

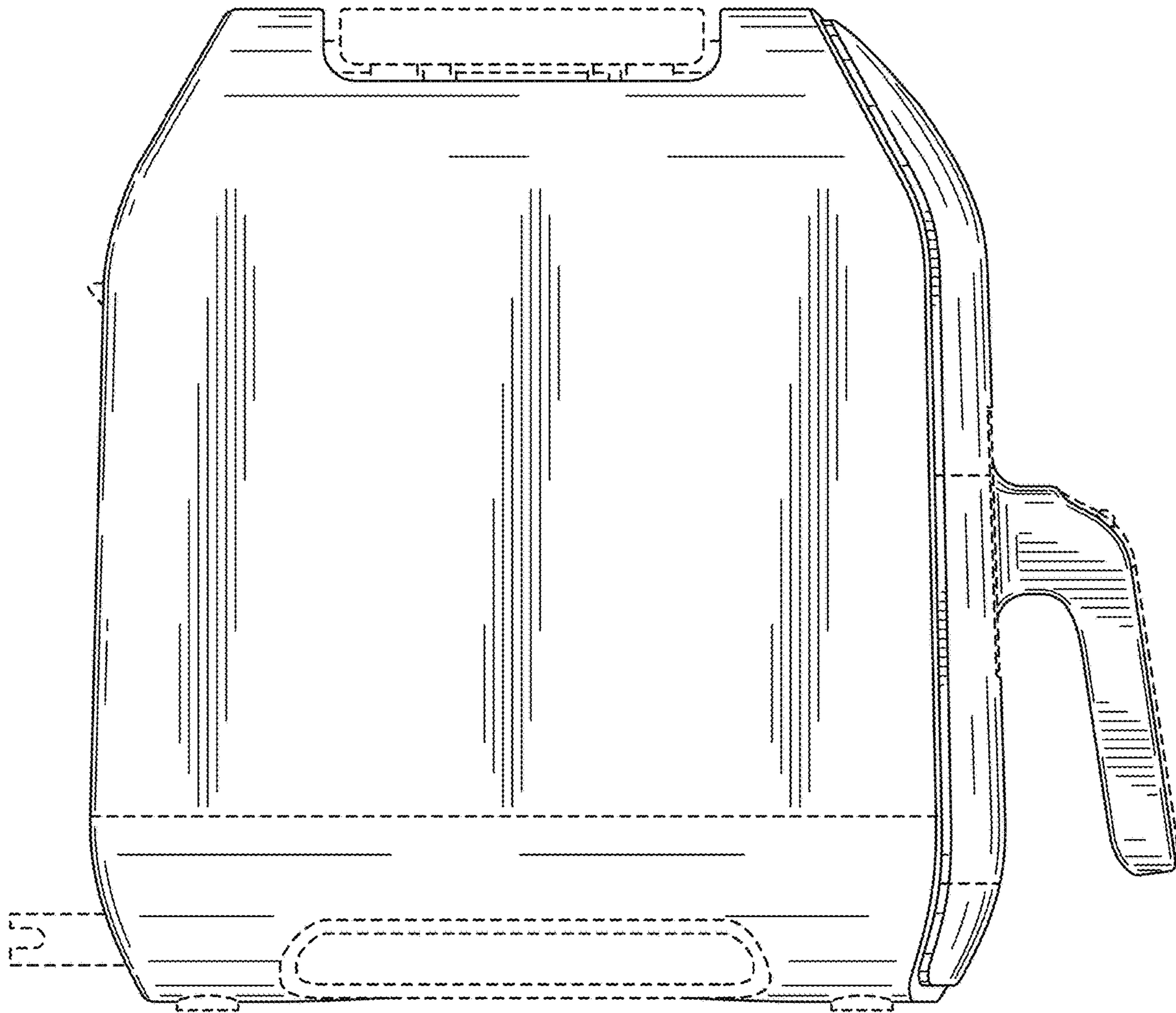


FIG. 4

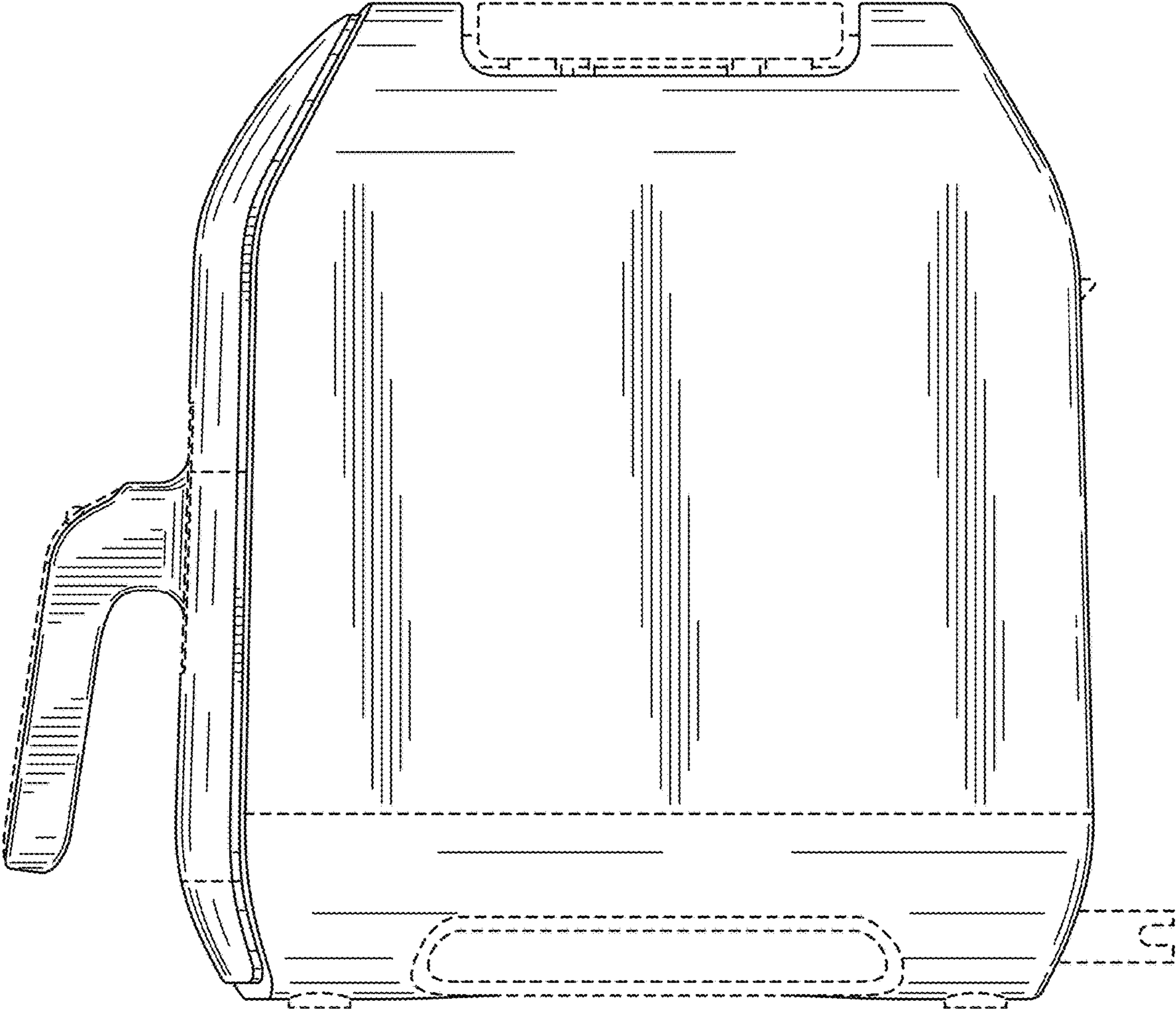


FIG. 5

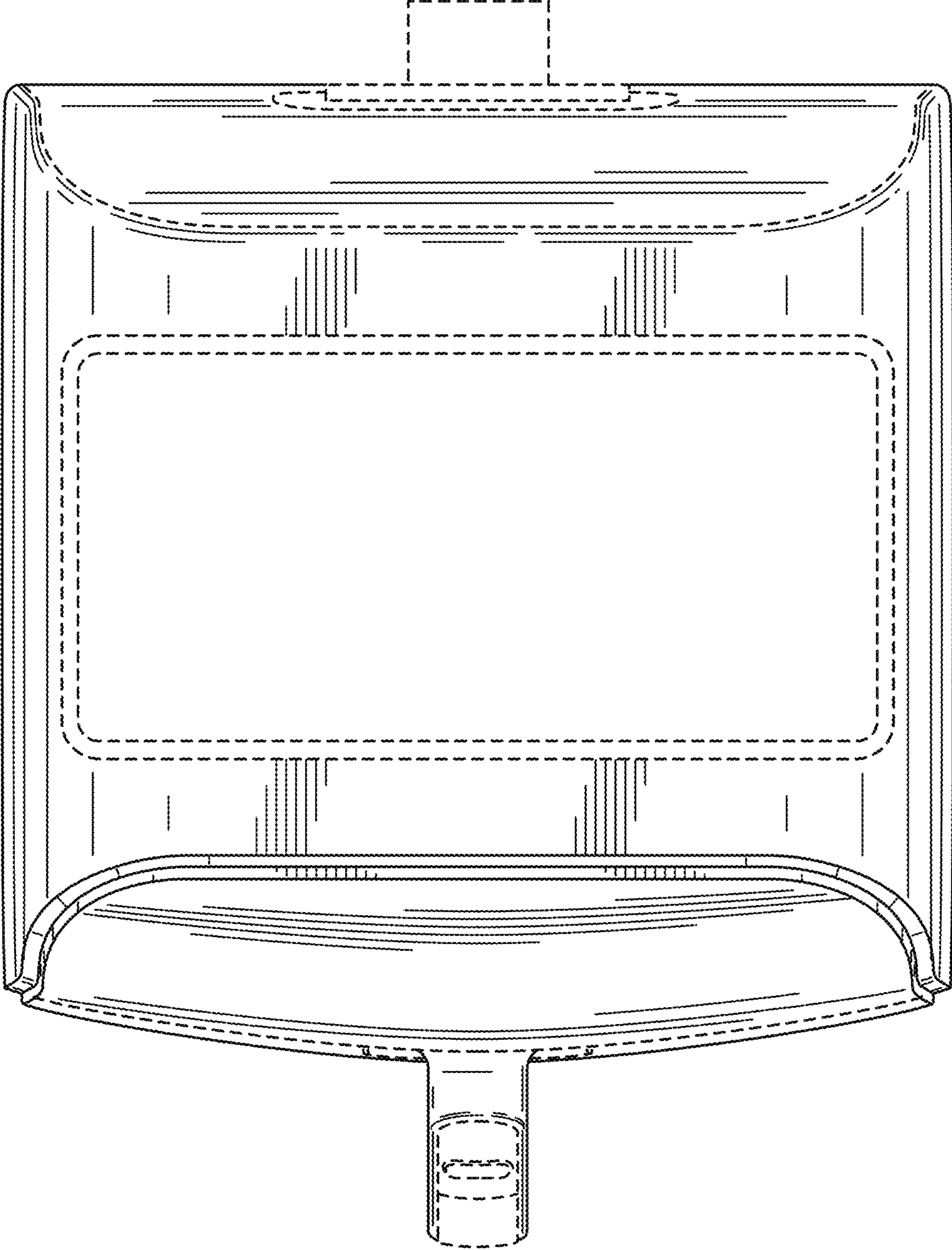


FIG. 6



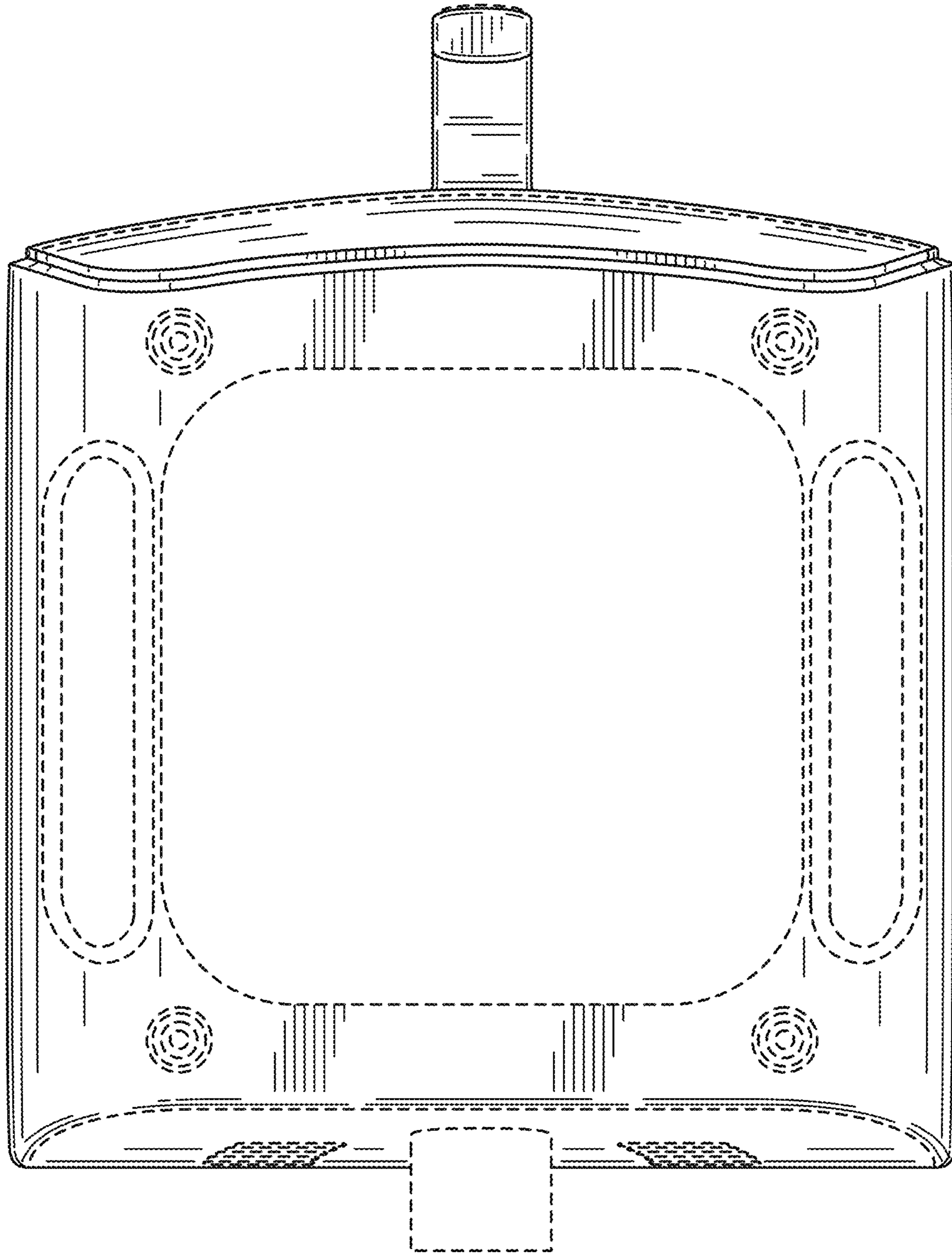


FIG. 7

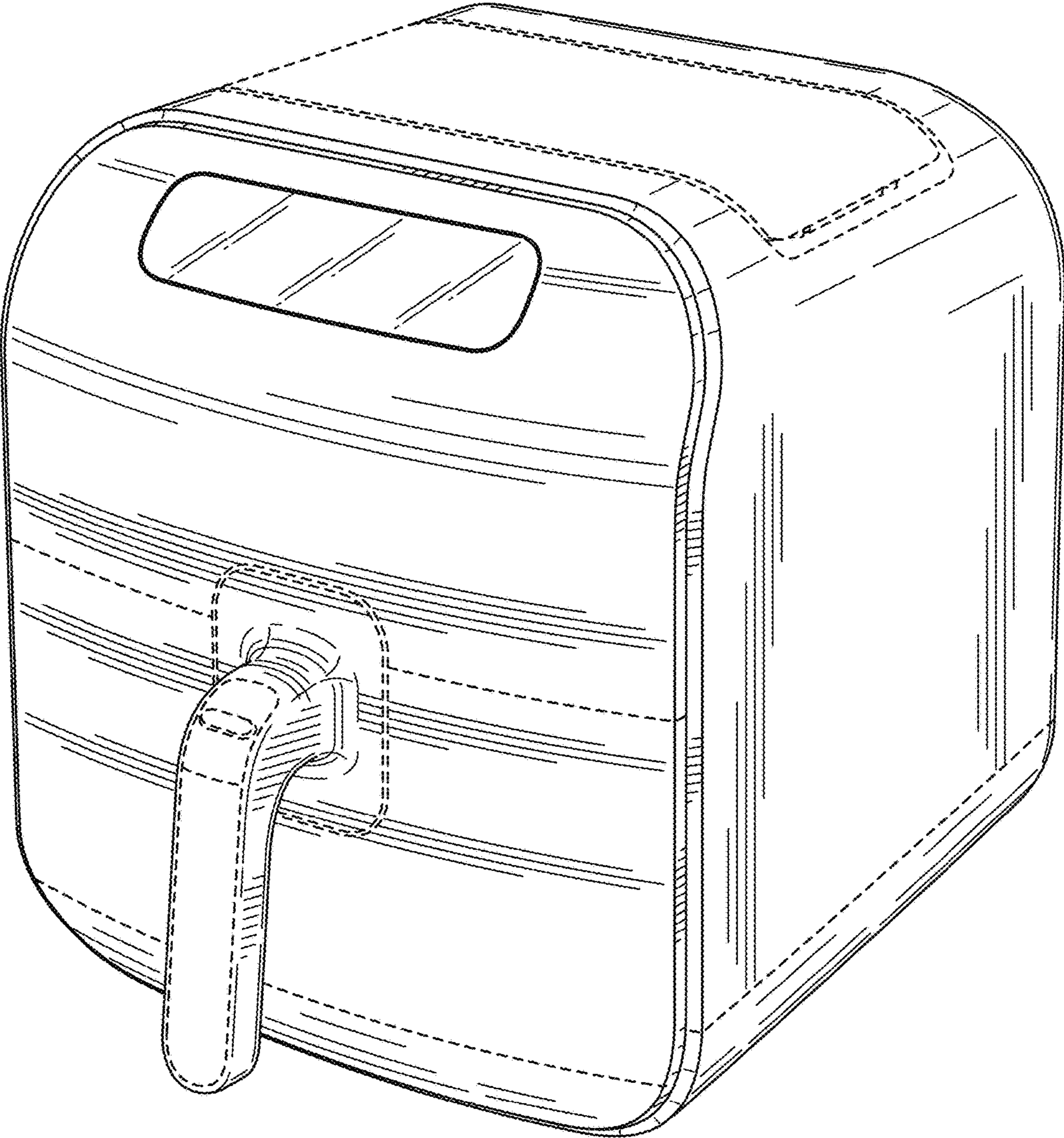


FIG. 8

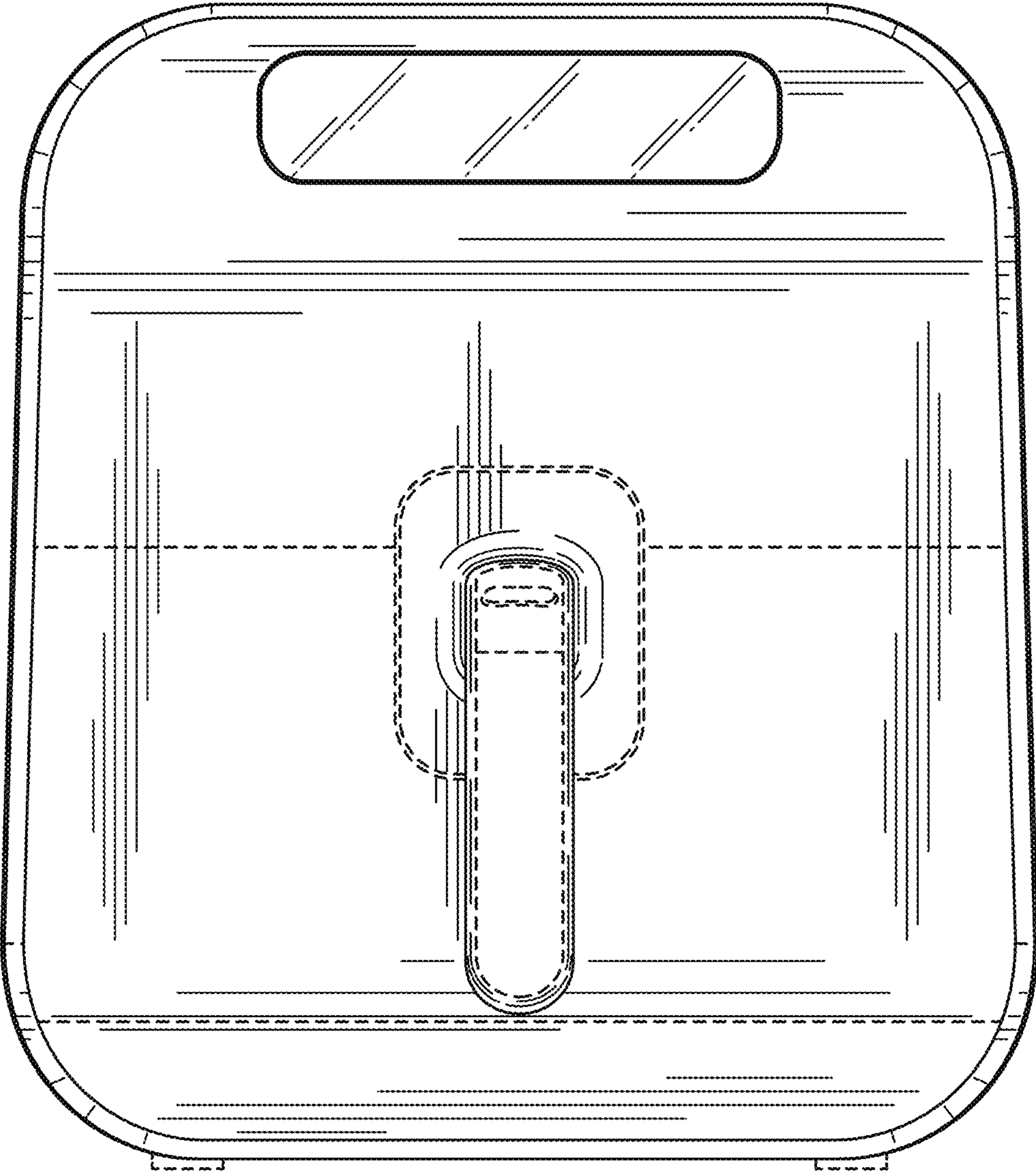


FIG. 9

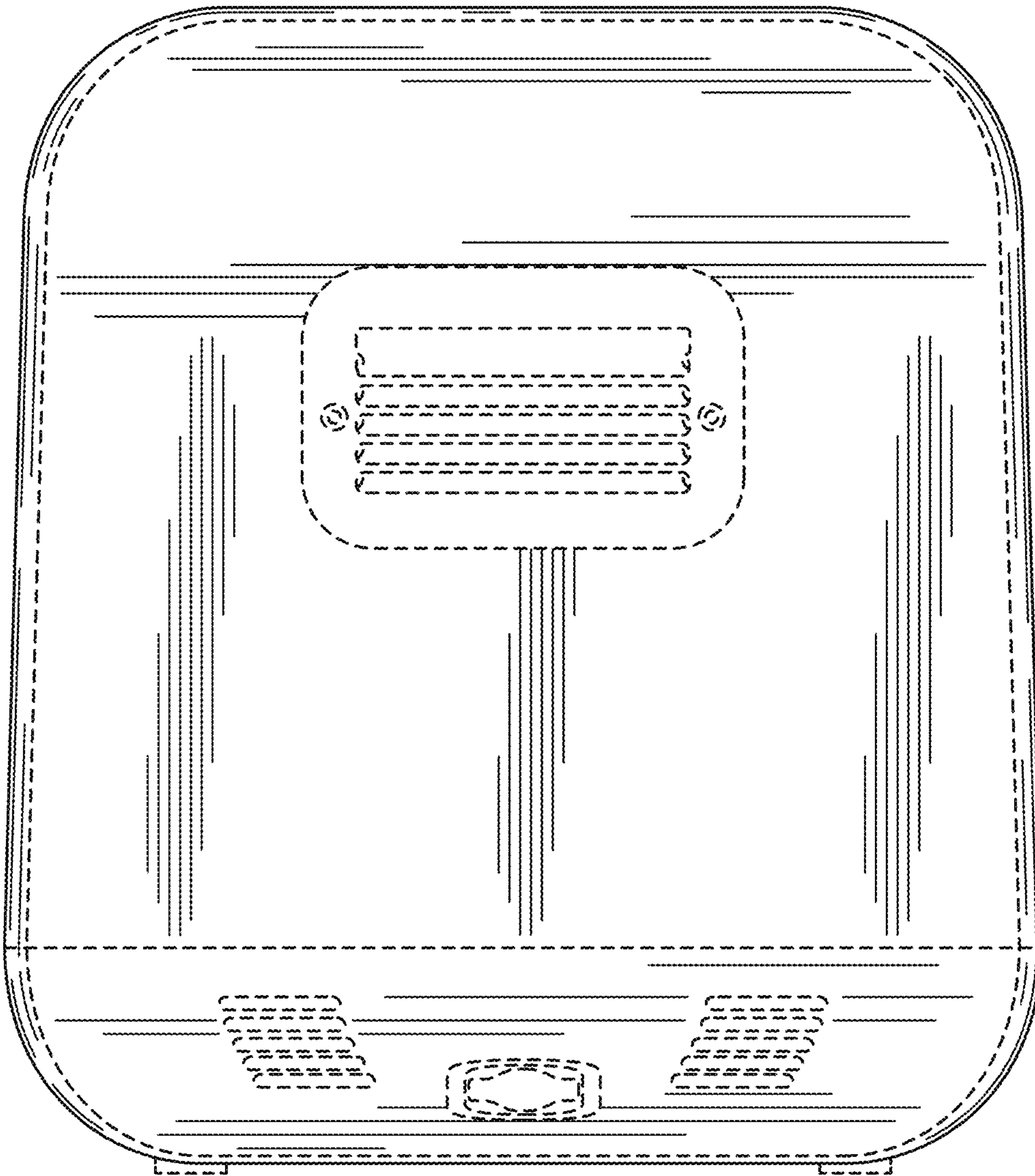


FIG. 10

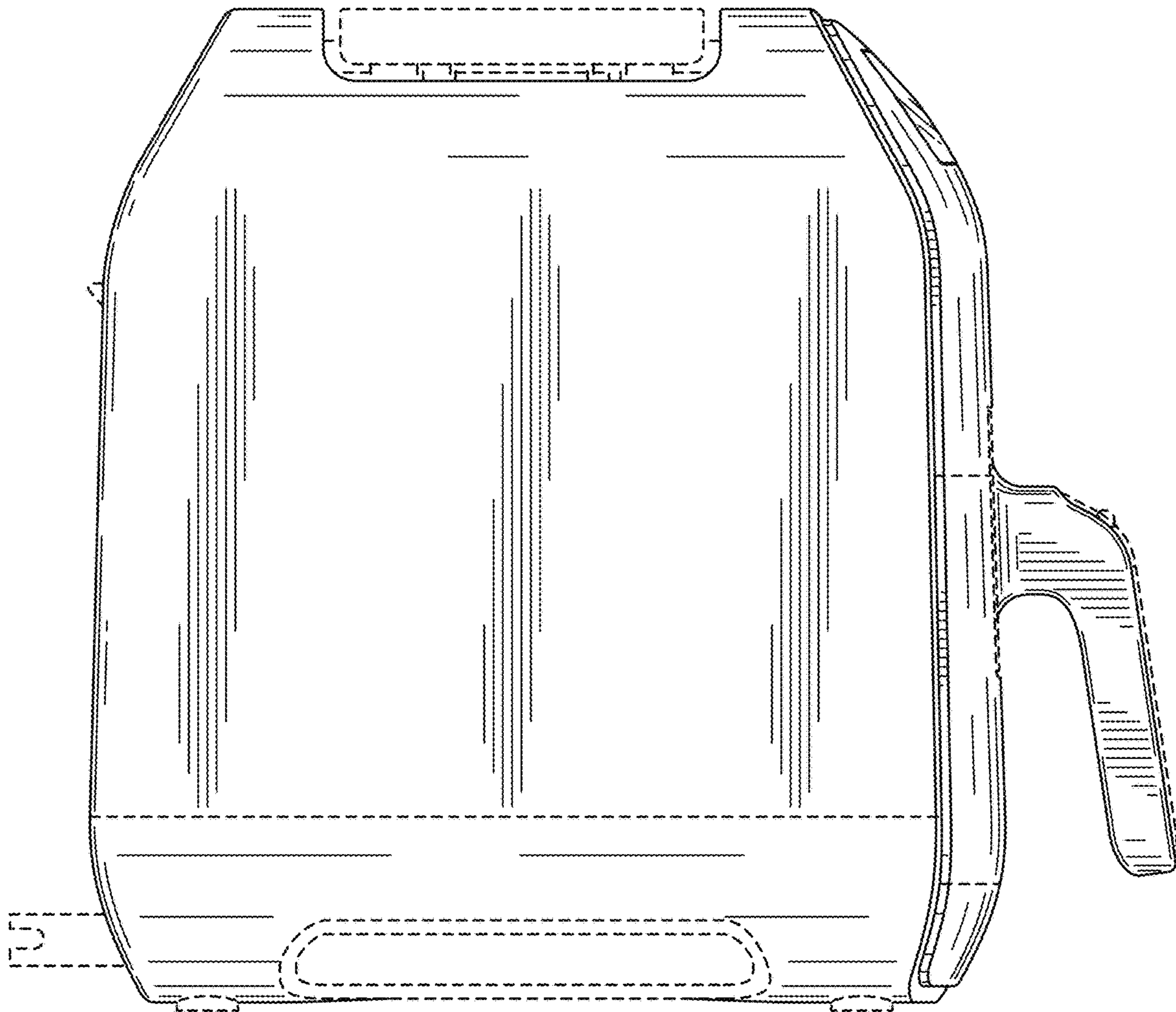


FIG. 11

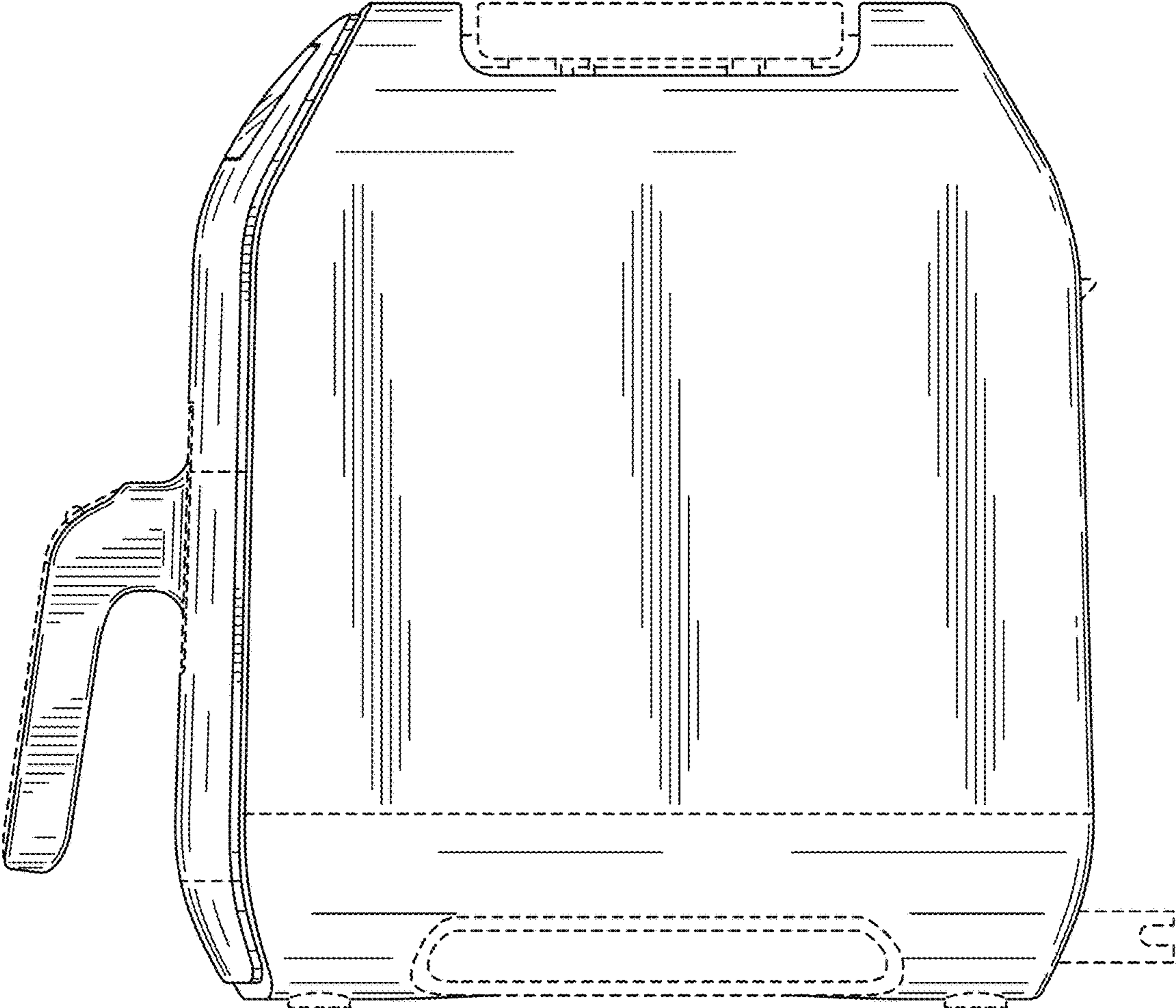


FIG. 12

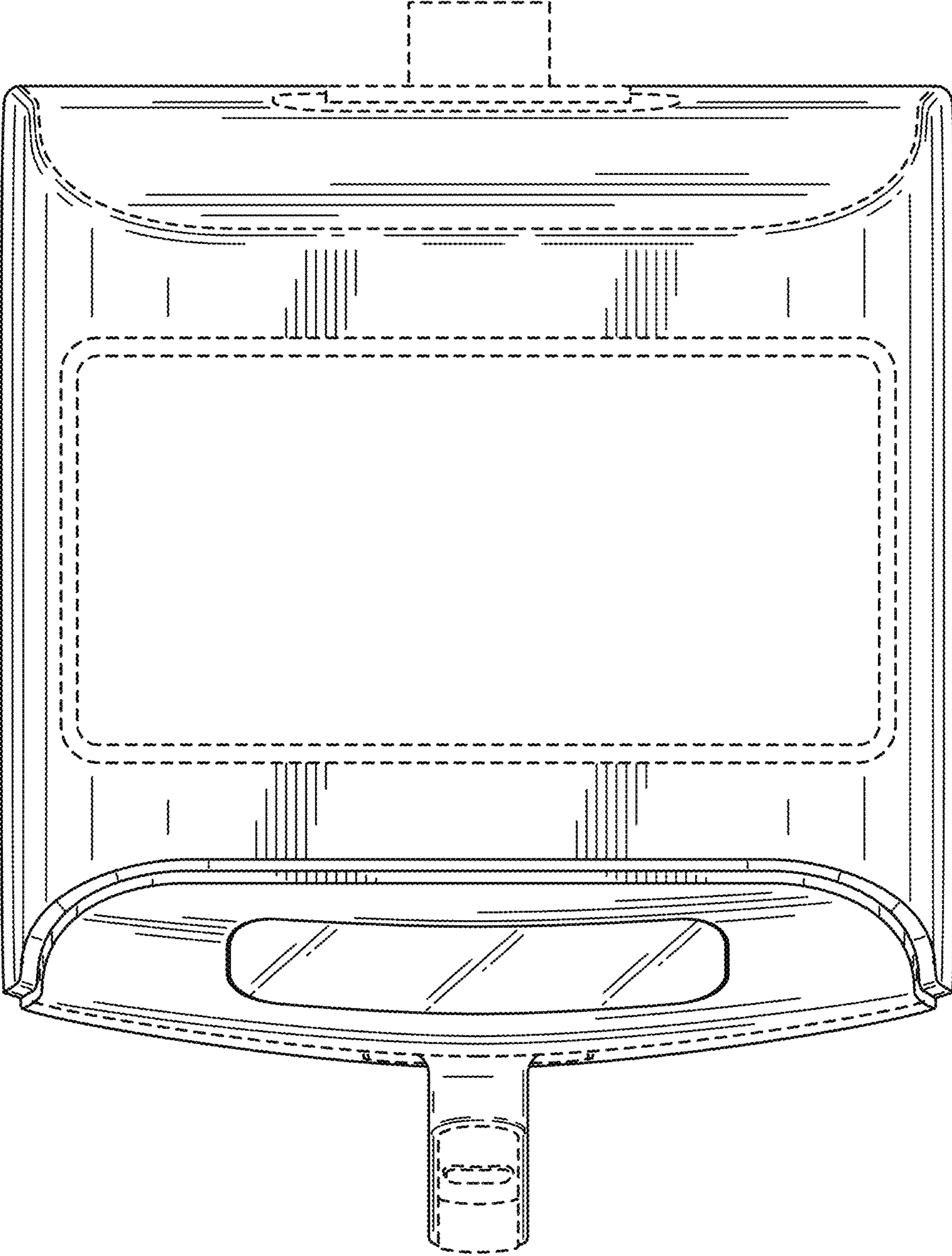


FIG. 13

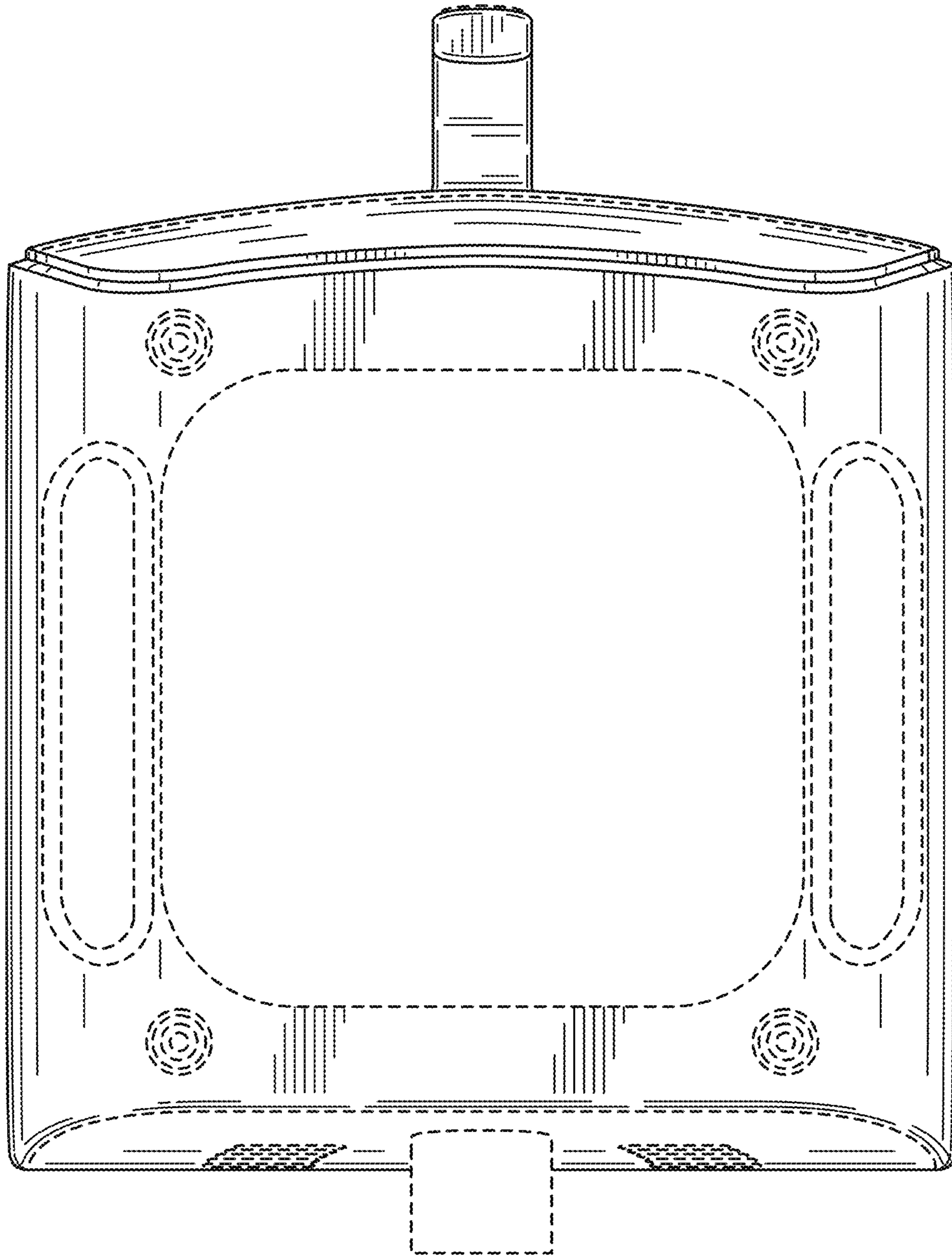


FIG. 14