



US00D819388S

(12) **United States Design Patent**
Fowkes

(10) **Patent No.:** **US D819,388 S**

(45) **Date of Patent:** **** Jun. 5, 2018**

(54) **PORTABLE CORDLESS MICROWAVE FOOD WARMER**

(71) Applicant: **Doug Fowkes**, Salt Lake City, UT (US)

(72) Inventor: **Doug Fowkes**, Salt Lake City, UT (US)

(73) Assignee: **Doug Fowkes**, Salt Lake City, UT (US)

(**) Term: **15 Years**

(21) Appl. No.: **29/575,939**

(22) Filed: **Aug. 30, 2016**

(51) **LOC (11) Cl.** **07-02**

(52) **U.S. Cl.**
USPC **D7/350.1**

(58) **Field of Classification Search**
USPC D7/350.1-351, 402-403, 405, 354
CPC . H05B 6/64; H05B 6/12; H05B 6/806; H05B
6/6426; H05B 6/6414; A21B 1/52
See application file for complete search history.

(56) **References Cited**

U.S. PATENT DOCUMENTS

D245,162 S *	7/1977	Zimmer	D7/350.4
5,369,255 A	11/1994	Sherer et al.	
D371,038 S *	6/1996	Hsu	D7/350.3
D375,651 S *	11/1996	Su	D7/350.3
5,632,921 A *	5/1997	Risman	H05B 6/6402 219/697
D380,339 S *	7/1997	Hsu	D7/350.3
D384,240 S *	9/1997	Wang	D7/350.3
D393,178 S *	4/1998	Su	D7/338
6,013,910 A *	1/2000	Ferraro	H05B 6/6402 219/734
D449,761 S	10/2001	Loftis et al.	
6,693,267 B2	2/2004	Shimizu et al.	
D487,666 S *	3/2004	Monguilod	D7/351
D523,282 S *	6/2006	Yoon	D7/351

D613,991 S	4/2010	Baek	
D614,437 S	4/2010	Baek	
D615,806 S	5/2010	Back	
7,829,827 B2 *	11/2010	Rosenbloom	H05B 6/129 219/622
8,405,010 B2	3/2013	Van Dyke et al.	
9,307,862 B2 *	4/2016	Roever	H05B 6/1245
2008/0190914 A1	8/2008	Gibson	
2008/0217327 A1	9/2008	Herrera	

OTHER PUBLICATIONS

“Worlds Smallest Microwave Oven—The Beanzawave”. Retrieved from Internet: <http://www.beanzawave.co.uk/>. Retrieved on Dec. 1, 2017.*

(Continued)

Primary Examiner — Ruth McNroy
(74) *Attorney, Agent, or Firm* — Thorpe, North & Western LLP

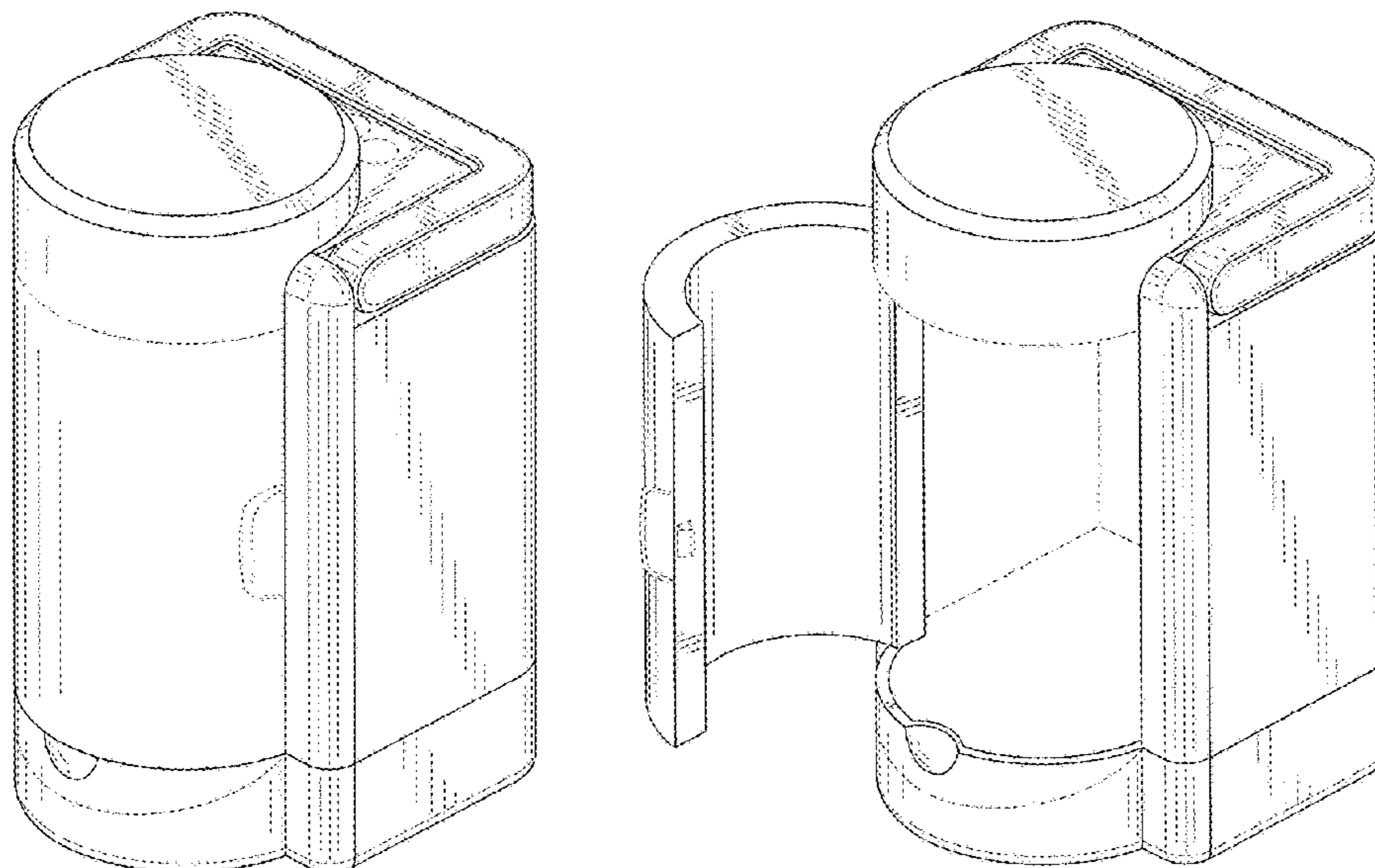
(57) **CLAIM**

I claim the ornamental design for a portable cordless microwave food warmer, as shown and described.

DESCRIPTION

FIG. 1 is a front perspective view of the portable cordless microwave food warmer in accordance with my invention; FIG. 2 is a front elevation view thereof; FIG. 3 is a rear elevation view thereof; FIG. 4 is a left side elevation view thereof; FIG. 5 is a right side elevation view thereof; FIG. 6 is a top plan view thereof; FIG. 7 is a bottom plan view thereof; and, FIG. 8 is a front perspective view thereof in an open configuration. The broken lines shown in FIGS. 1-8 are for illustrative purposes only and form no part of the claimed design.

1 Claim, 7 Drawing Sheets



(56)

References Cited

OTHER PUBLICATIONS

Heinz Beanzawave—a small microwave apparently powered from a USB port (<http://www.beanzawave.co.uk/>). As accessed on this date: Jul. 28, 2016. p. 1.

Power Hunt—a portable microwave oven powered directly from a car battery (<http://www.power-hunt.com/12-volt-microwave.php>). As accessed on this date: Jul. 28, 2016. p. 1.

* cited by examiner

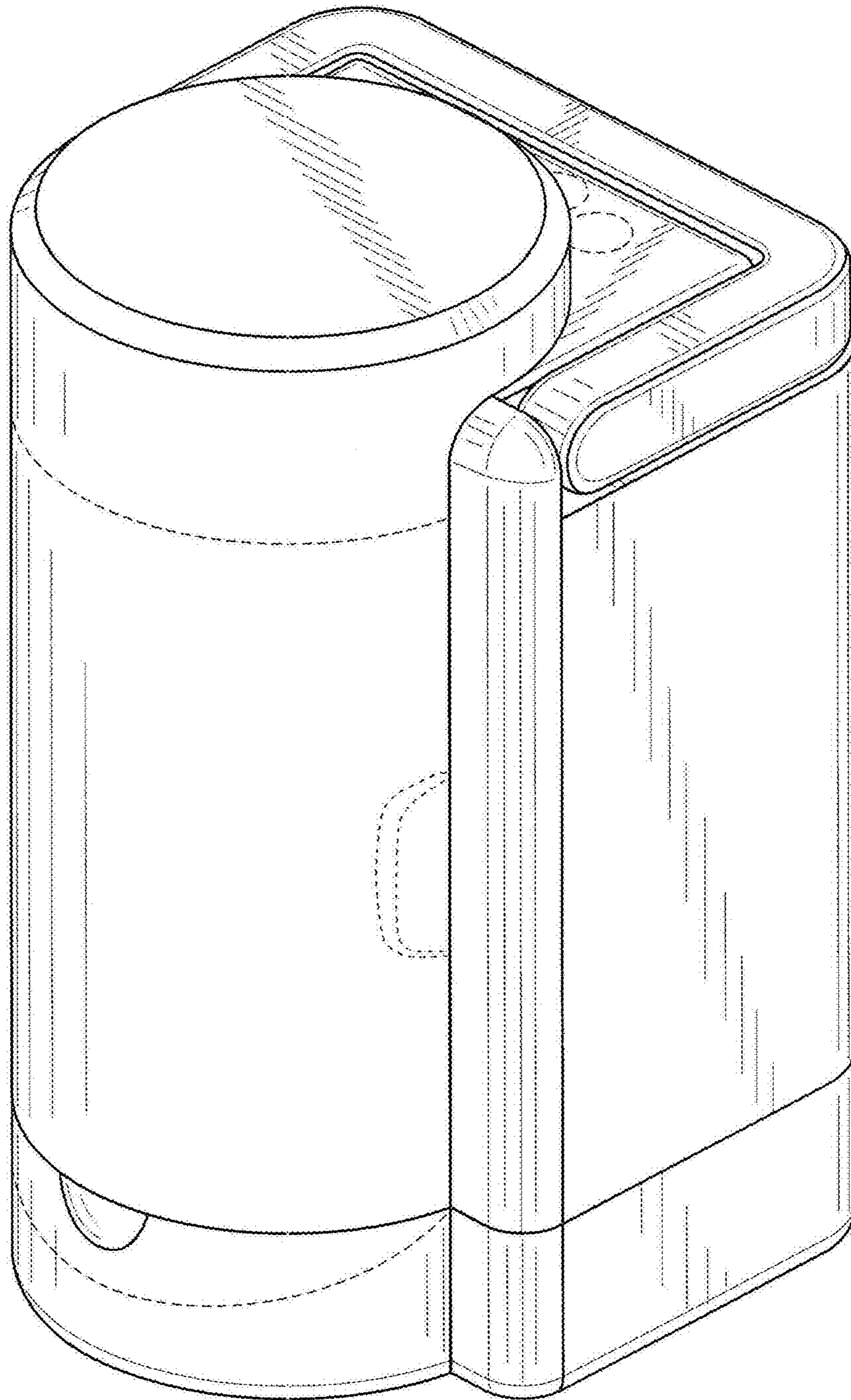


FIG. 1

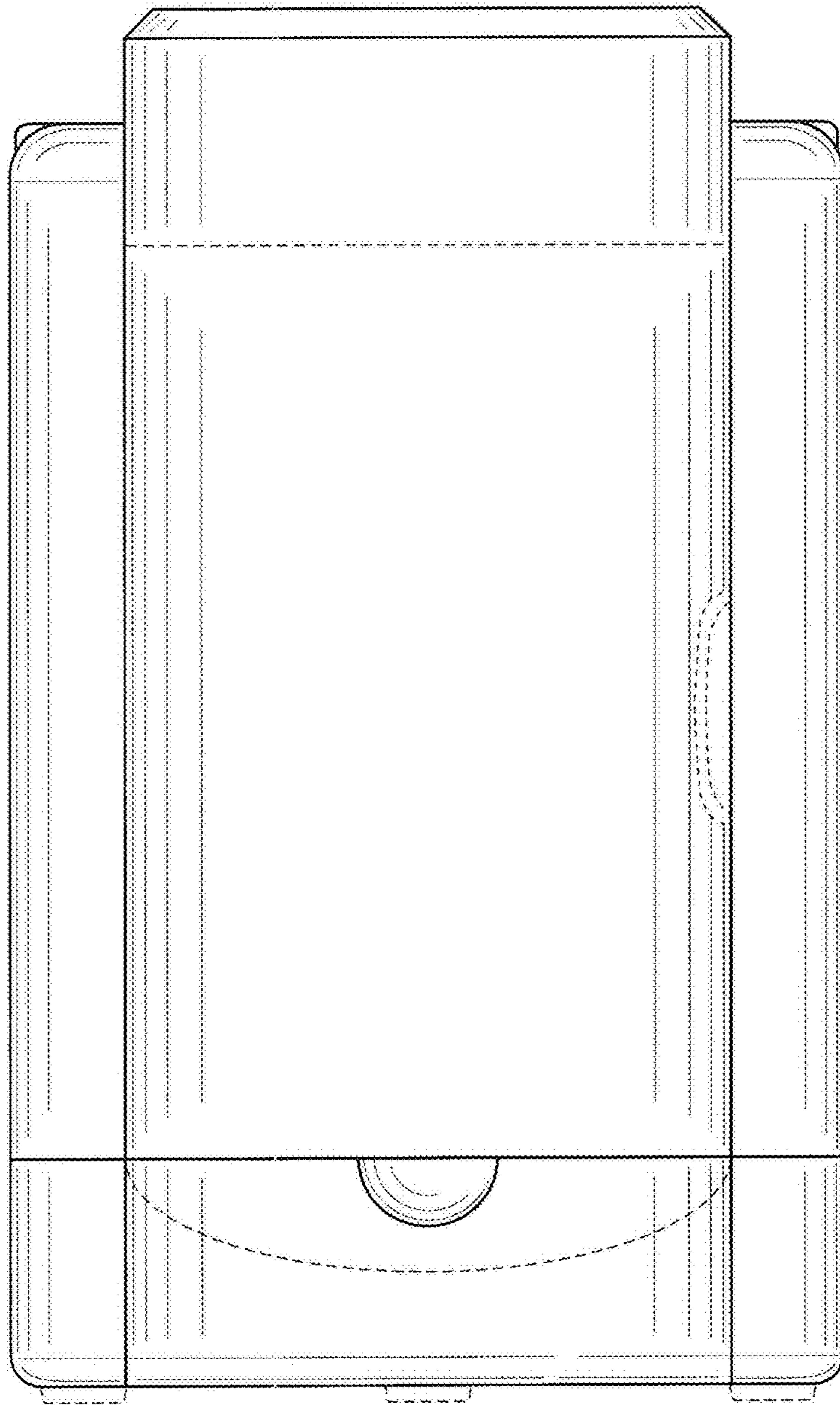


FIG. 2

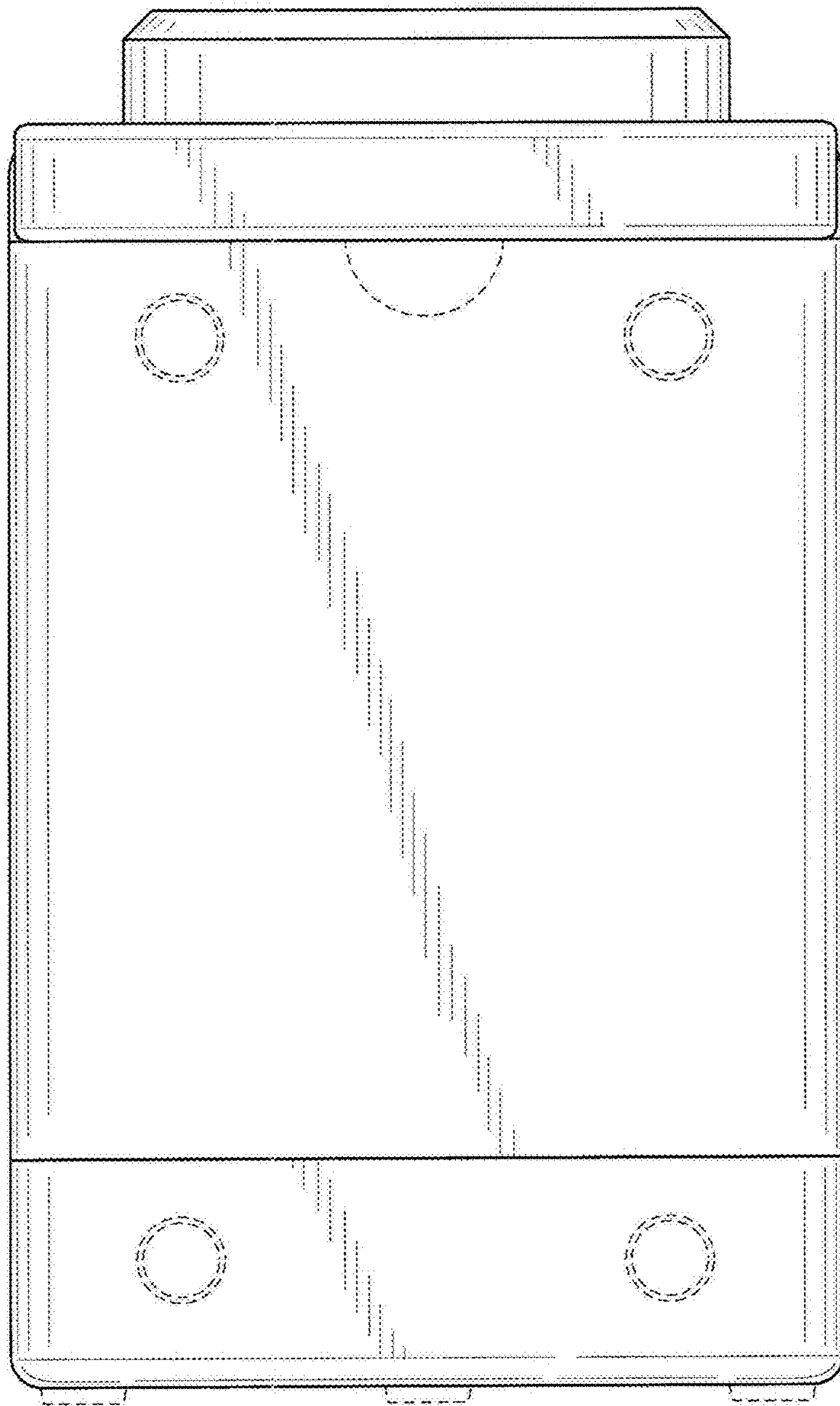


FIG. 3

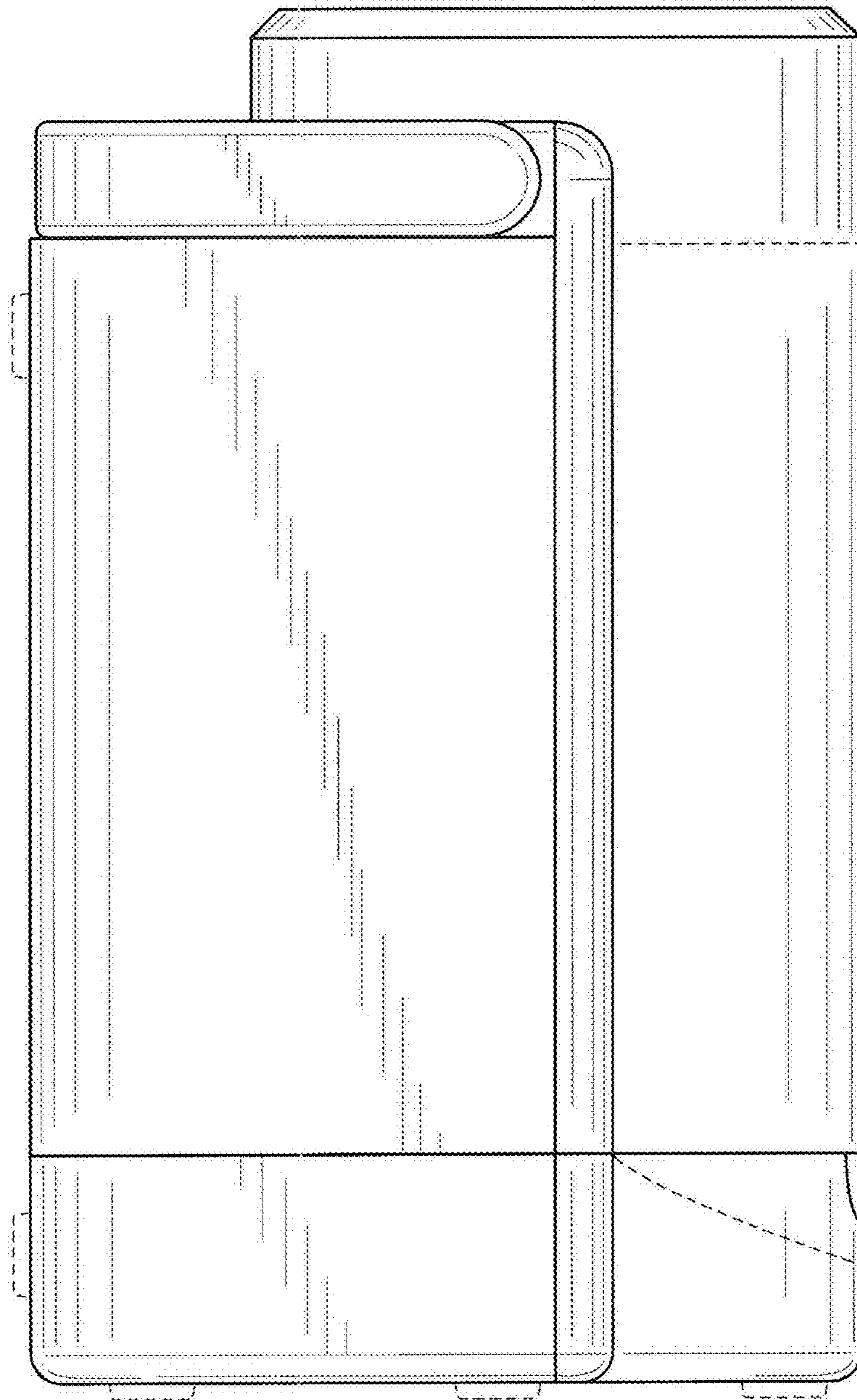


FIG. 4

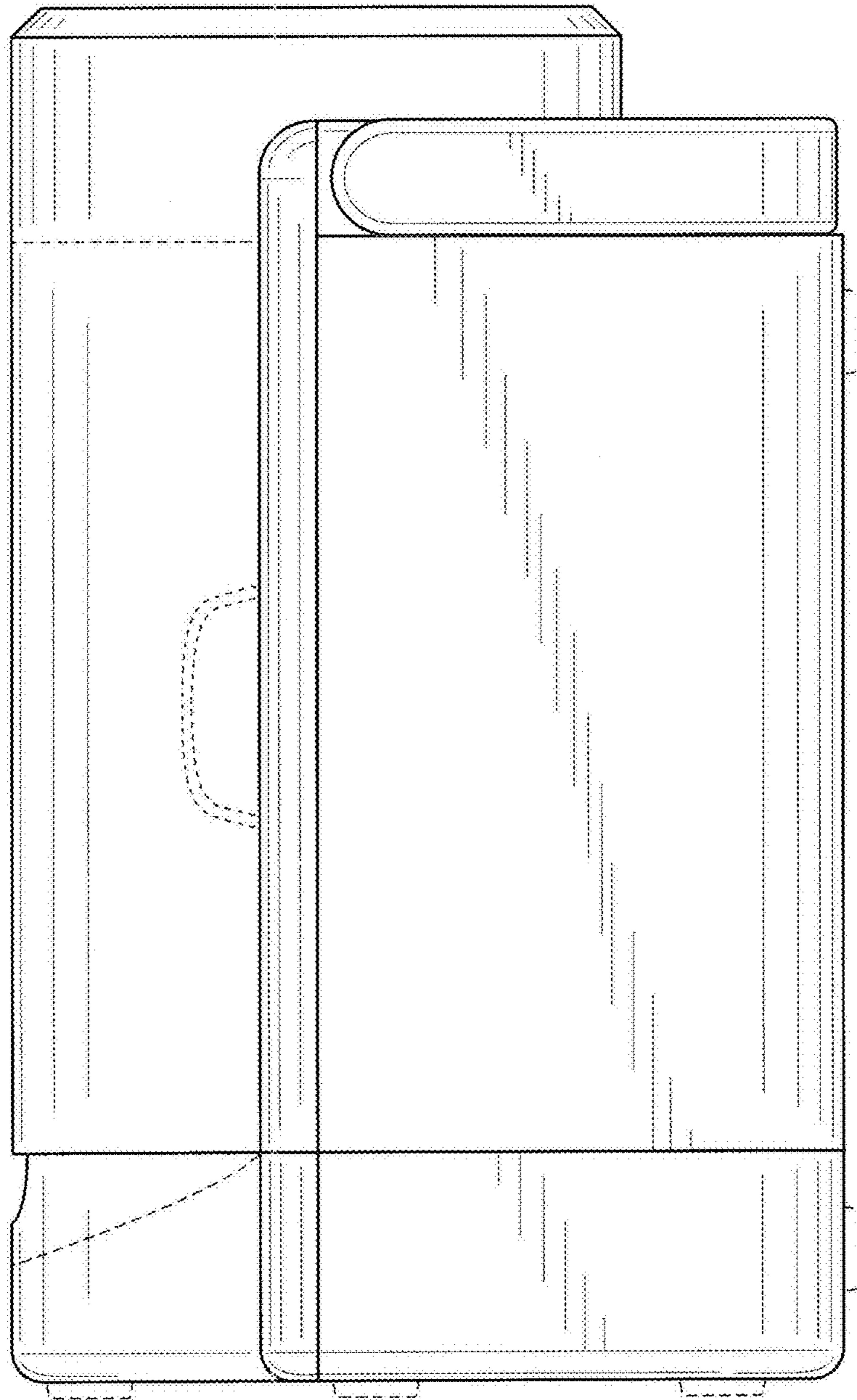


FIG. 5

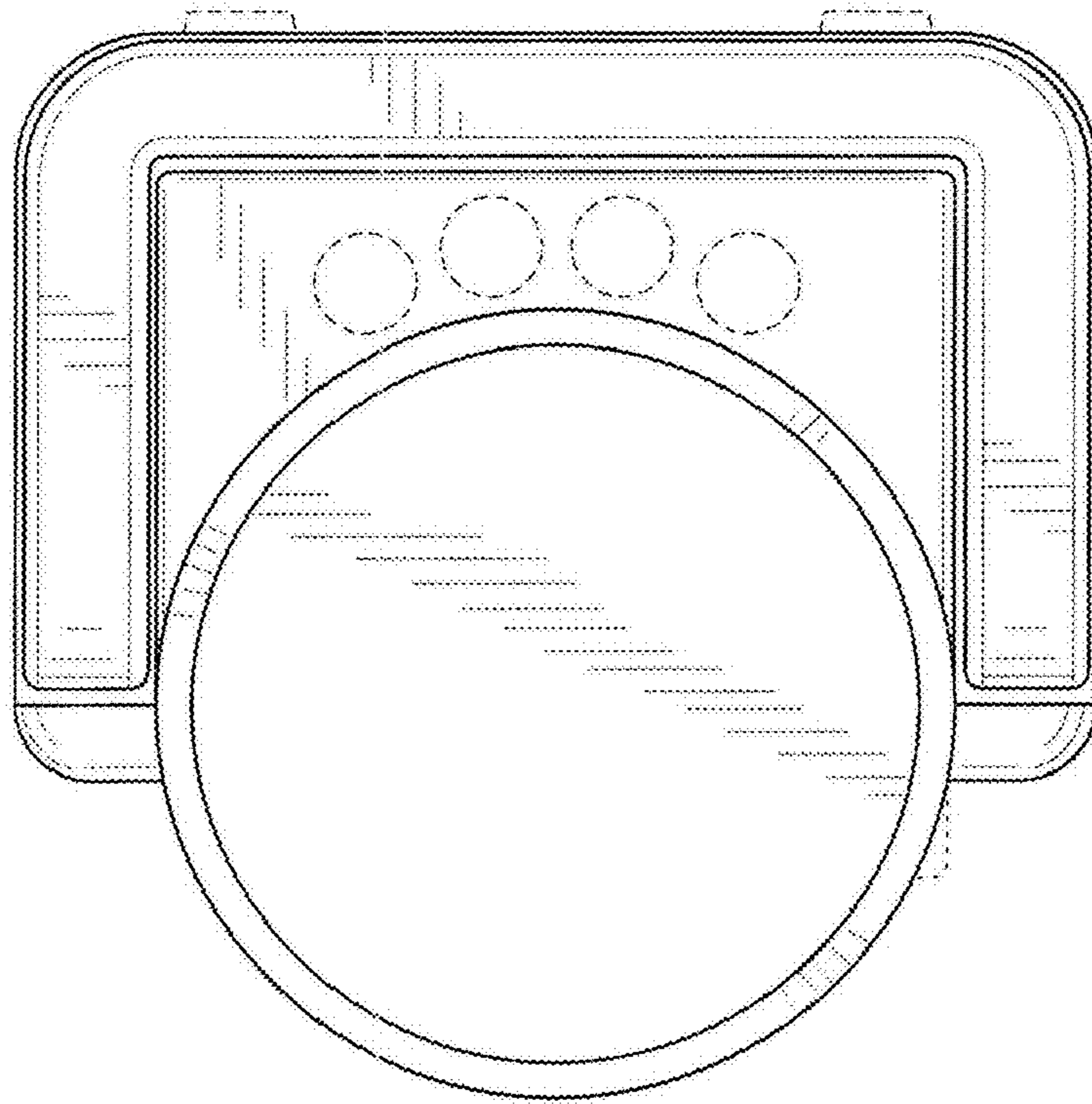


FIG. 6

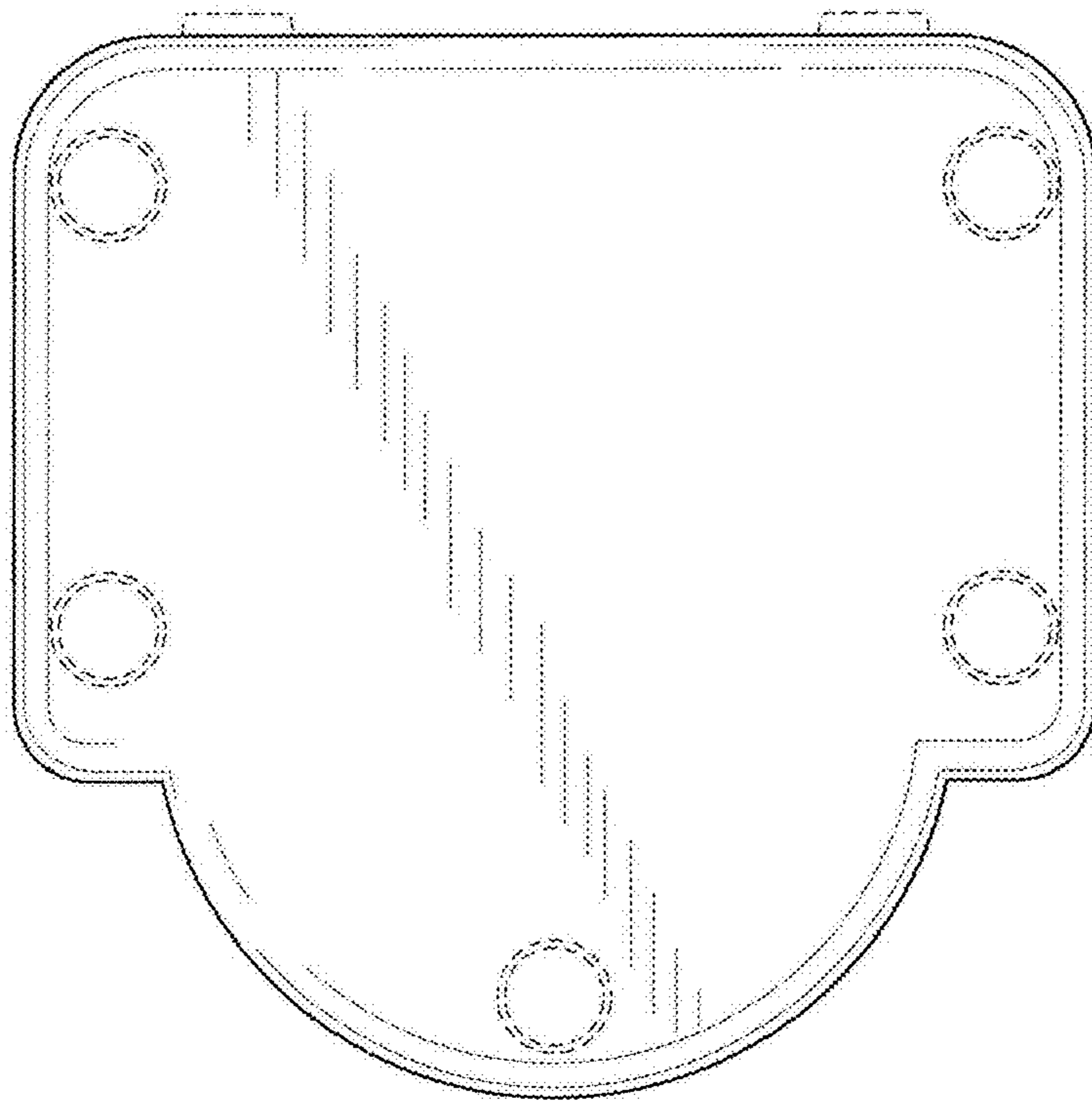


FIG. 7

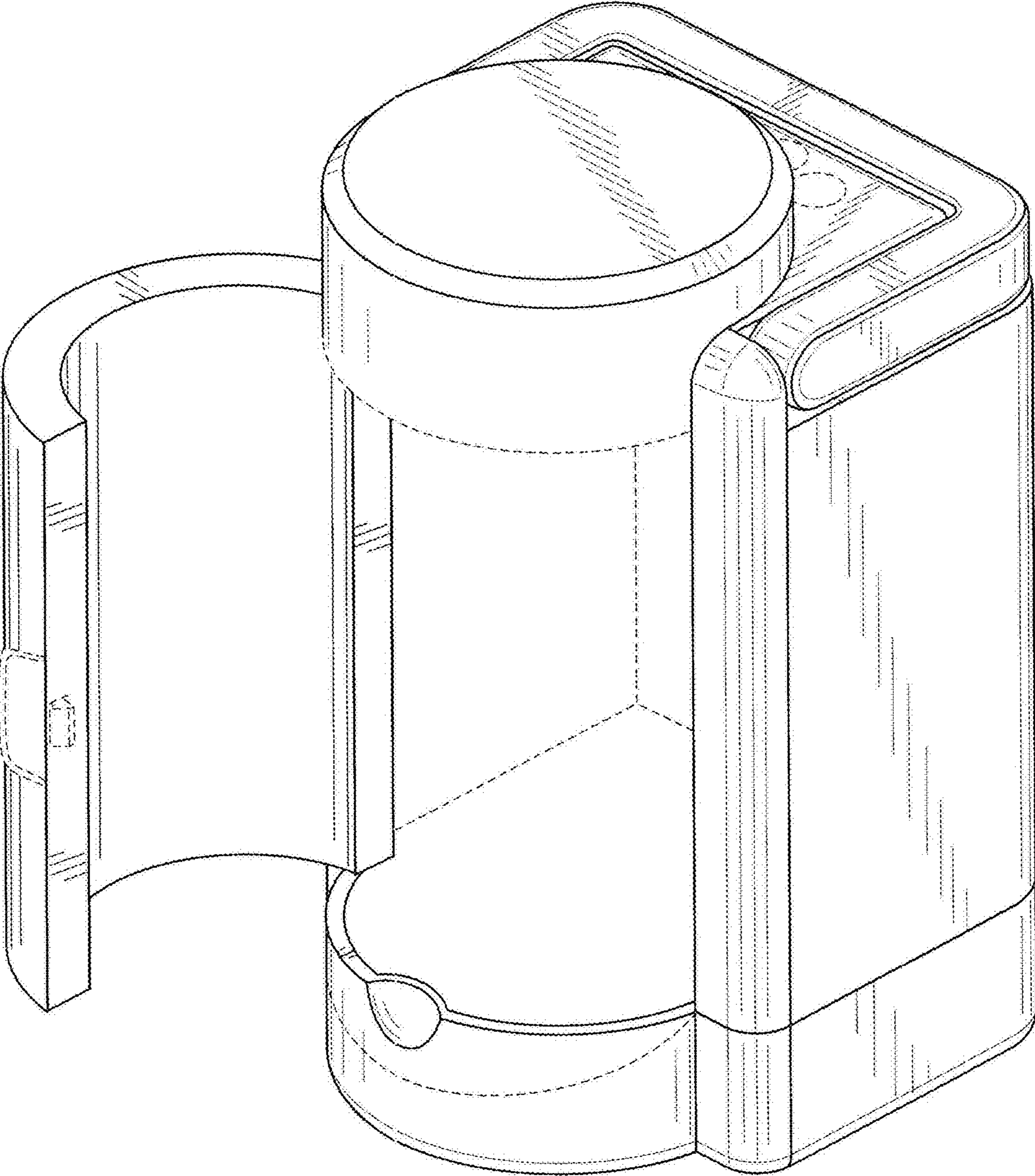


FIG. 8