



US00D819387S

(12) **United States Design Patent** (10) **Patent No.:** **US D819,387 S**  
**Stein** (45) **Date of Patent:** **\*\* Jun. 5, 2018**

- (54) **HEATER FOR TABLE USE**
- (71) Applicant: **ESBIT Compagnie GmbH**, Hamburg (DE)
- (72) Inventor: **Roberto Stein**, Hamburg (DE)
- (73) Assignee: **ESBIT Compagnie GmbH**, Hamburg (DE)
- (\*\*) Term: **15 Years**
- (21) Appl. No.: **29/564,169**
- (22) Filed: **May 11, 2016**
- (30) **Foreign Application Priority Data**  
Nov. 11, 2015 (EM) ..... 002854885-0001
- (51) **LOC (11) Cl.** ..... **07-02**
- (52) **U.S. Cl.**  
USPC ..... **D7/337**
- (58) **Field of Classification Search**  
USPC ..... D7/332, 334, 337, 346, 362, 363, 367, D7/538, 541, 542, 550.1, 554.3, 554.4, D7/555  
CPC .. A47J 27/00; A47J 37/06; A47J 37/07; A47J 37/10; F16L 19/02; F24C 3/14  
See application file for complete search history.

- D582,716 S \* 12/2008 Averty ..... D7/337
- D593,791 S \* 6/2009 Joensson ..... D7/367
- D610,394 S \* 2/2010 Bodum ..... D7/362
- D613,117 S \* 4/2010 Richburg ..... D7/409
- D618,047 S \* 6/2010 Seymour ..... D7/367
- 7,726,235 B1 \* 6/2010 Frantz ..... A47J 37/0611  
126/39 BA
- D696,549 S \* 12/2013 Pennington ..... D7/363
- D697,365 S \* 1/2014 Kunz ..... D7/352
- D697,752 S \* 1/2014 De'Longhi ..... D7/352
- D735,522 S \* 8/2015 Bleeker ..... D7/354
- D736,029 S \* 8/2015 Huber ..... D7/352
- D755,560 S \* 5/2016 Day ..... D7/352
- D758,786 S \* 6/2016 Koszylko ..... D7/352
- D778,102 S \* 2/2017 Spurrier ..... D7/346
- D782,868 S \* 4/2017 Lien ..... D14/125
- D790,131 S \* 6/2017 Shteyssel ..... D14/138 G
- D790,910 S \* 7/2017 Hosoda ..... D7/362
- 2005/0005776 A1 \* 1/2005 Steinberg ..... A47J 37/0676  
99/331
- 2005/0120890 A1 \* 6/2005 Hill ..... A47J 37/0611  
99/422

(Continued)

*Primary Examiner* — Susan Bennett Hattan  
*Assistant Examiner* — Suzanne E Tisdell  
(74) *Attorney, Agent, or Firm* — Alix, Yale & Ristas, LLP

(57) **CLAIM**

The ornamental design for the heater for table use, as shown and described.

(56) **References Cited**

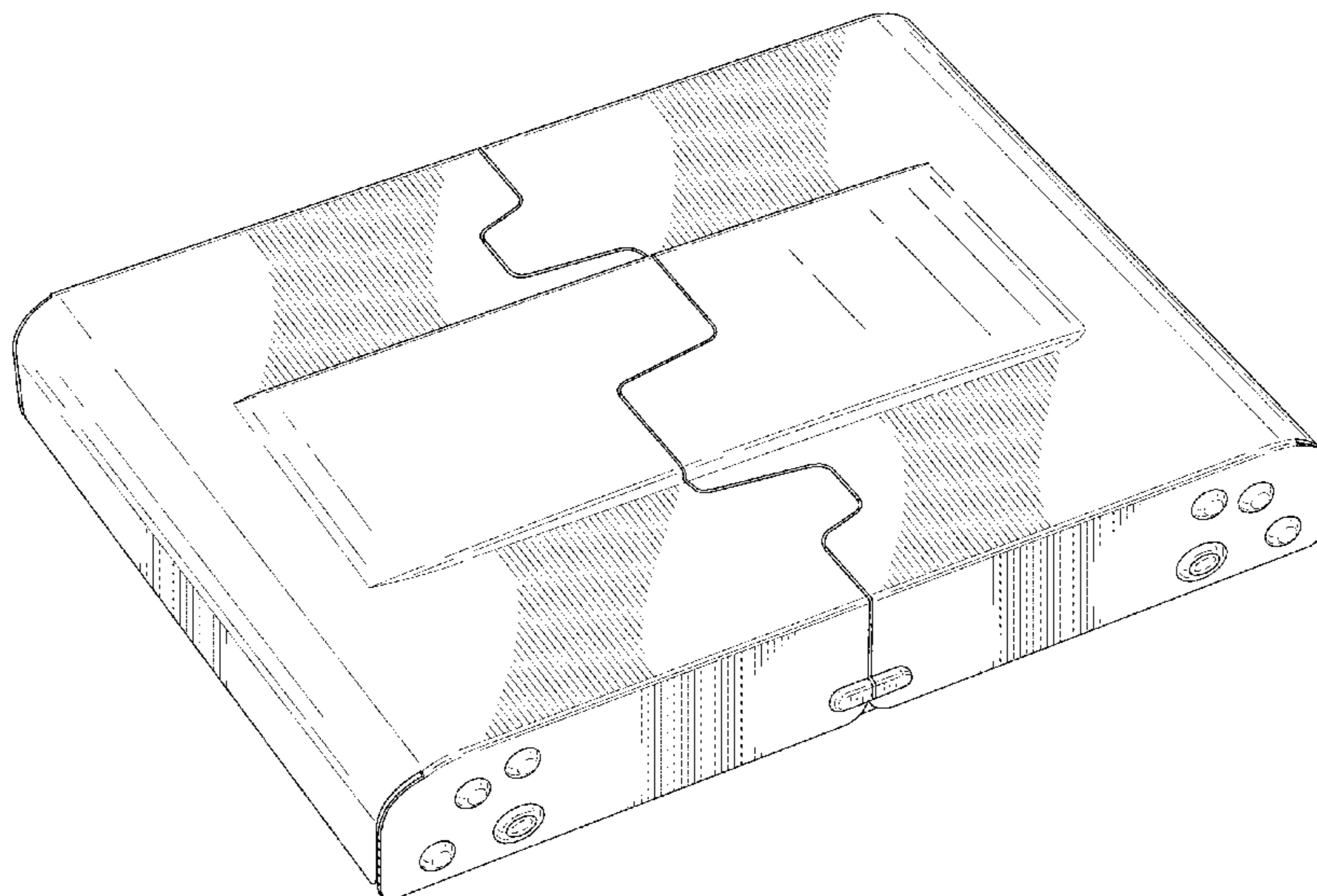
U.S. PATENT DOCUMENTS

- 3,749,356 A \* 7/1973 Conley ..... F16L 19/025  
222/3
- D473,419 S \* 4/2003 Garman ..... D7/363
- D505,044 S \* 5/2005 Hei ..... D7/363
- D520,805 S \* 5/2006 Wright ..... D7/337
- D533,016 S \* 12/2006 Genslak ..... D7/363
- D575,098 S \* 8/2008 Seymour ..... D7/363
- D576,444 S \* 9/2008 Chung ..... D7/337
- D580,701 S \* 11/2008 Wojcik ..... D7/367

**DESCRIPTION**

FIG. 1 is a perspective view of a heater for table use; FIG. 2 is a front view thereof, the rear view being identical; FIG. 3 is a top plan view thereof; and, FIG. 4 is a left side view thereof, the right side view being identical.  
The portions of the heater for table use shown in broken lines form no part of the claim.

**1 Claim, 4 Drawing Sheets**



(56)

**References Cited**

U.S. PATENT DOCUMENTS

2006/0086351 A1\* 4/2006 Wilgus ..... A47J 37/0713  
126/9 R  
2007/0137499 A1\* 6/2007 Leon ..... A47J 27/004  
99/422  
2017/0181574 A1\* 6/2017 Altenritter ..... A47J 37/0611

\* cited by examiner

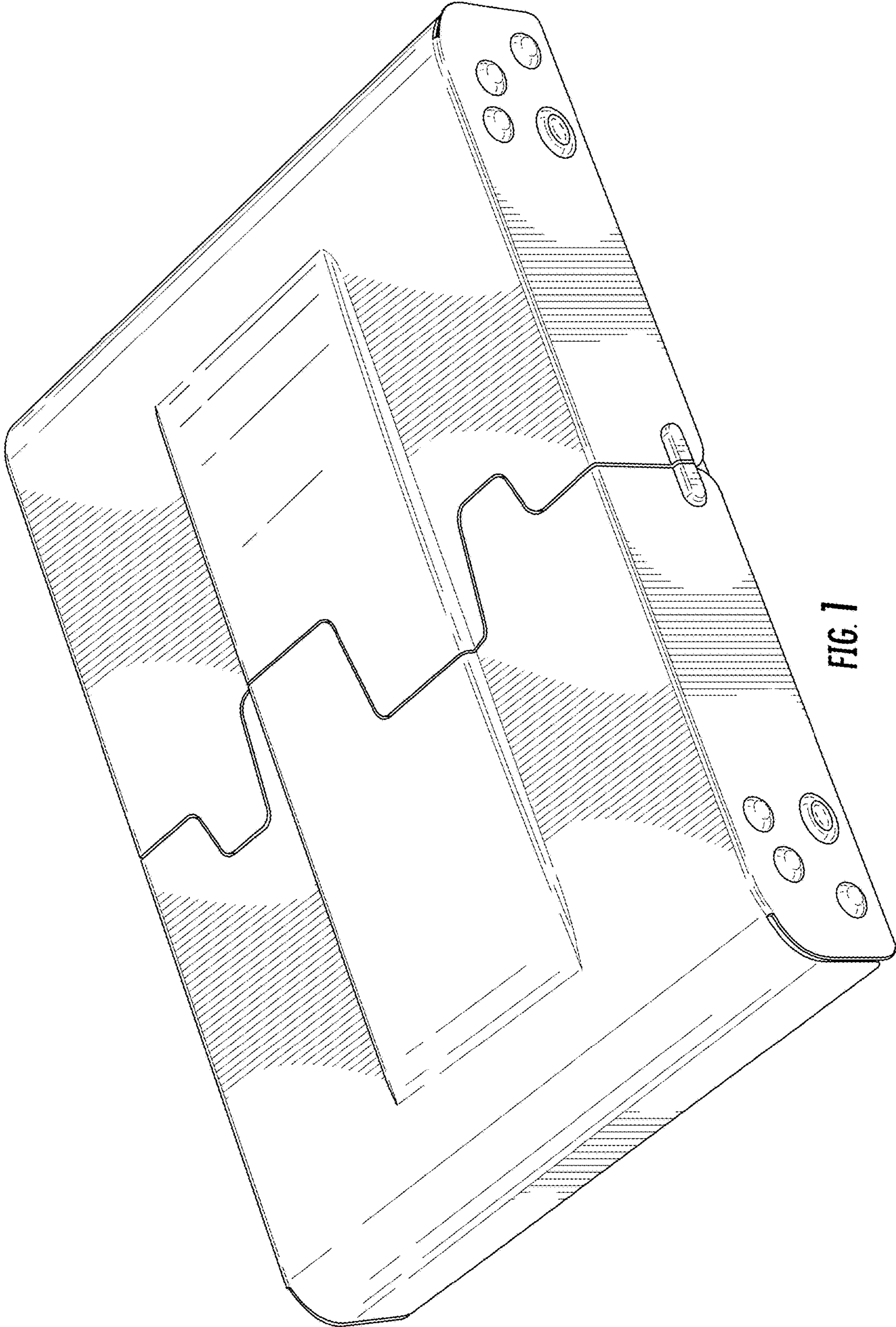


FIG. 1



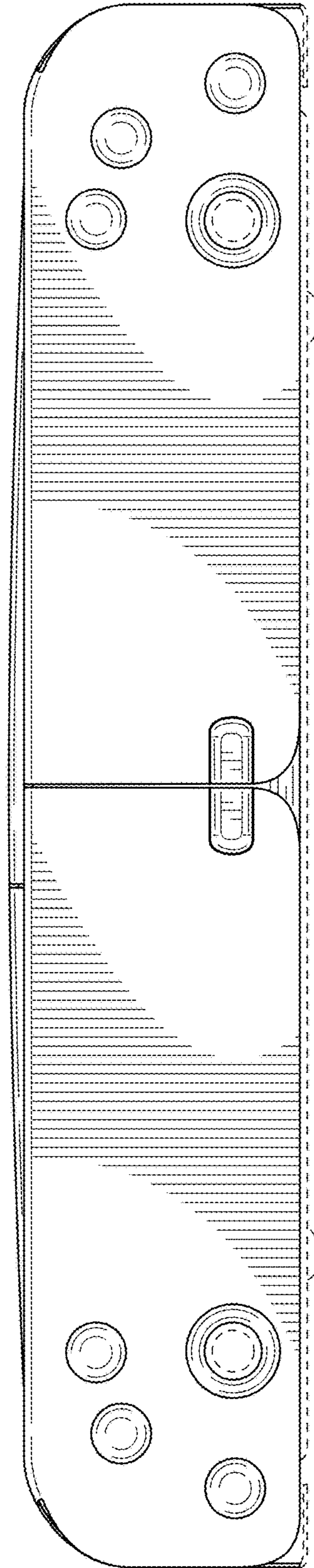


FIG. 2

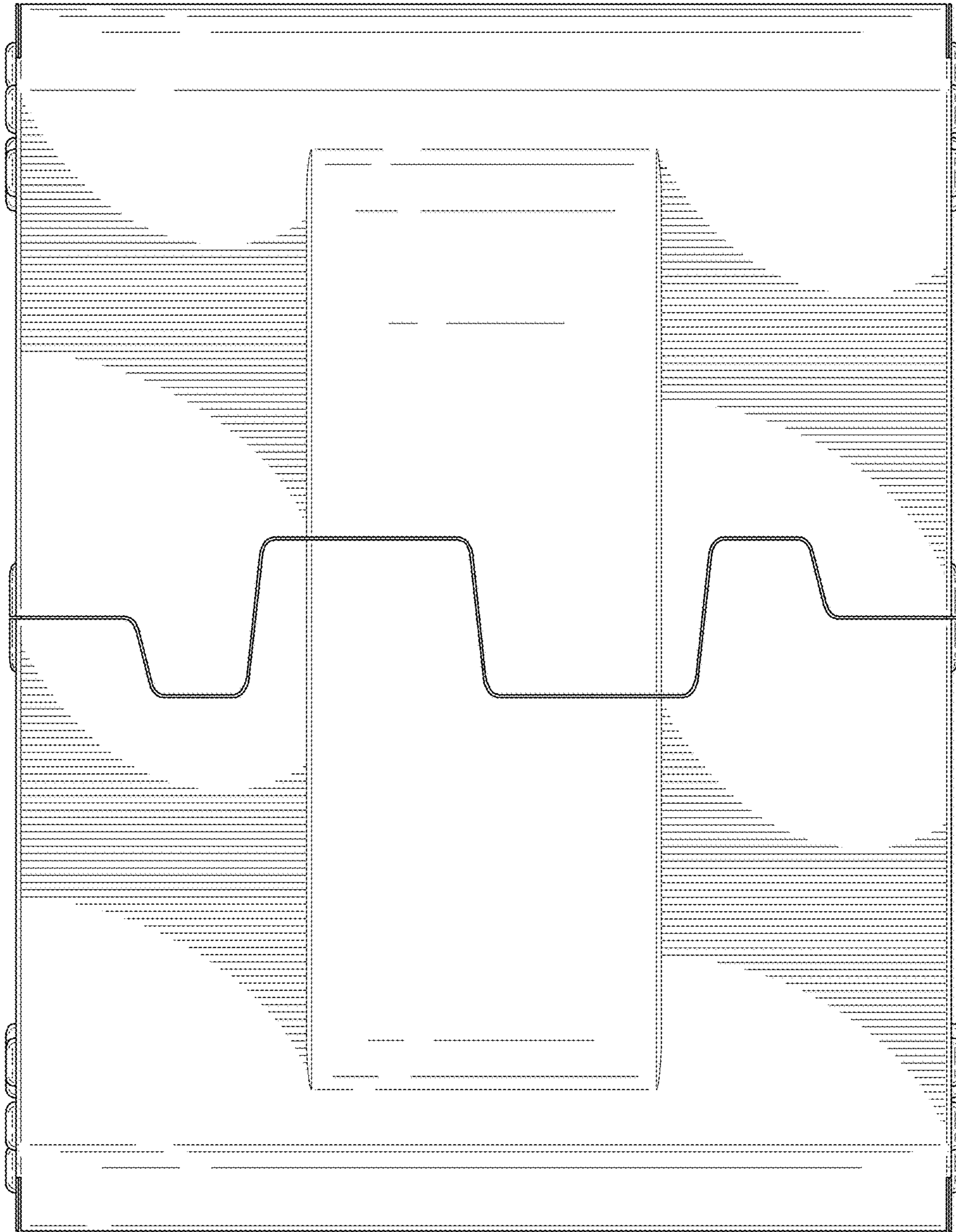
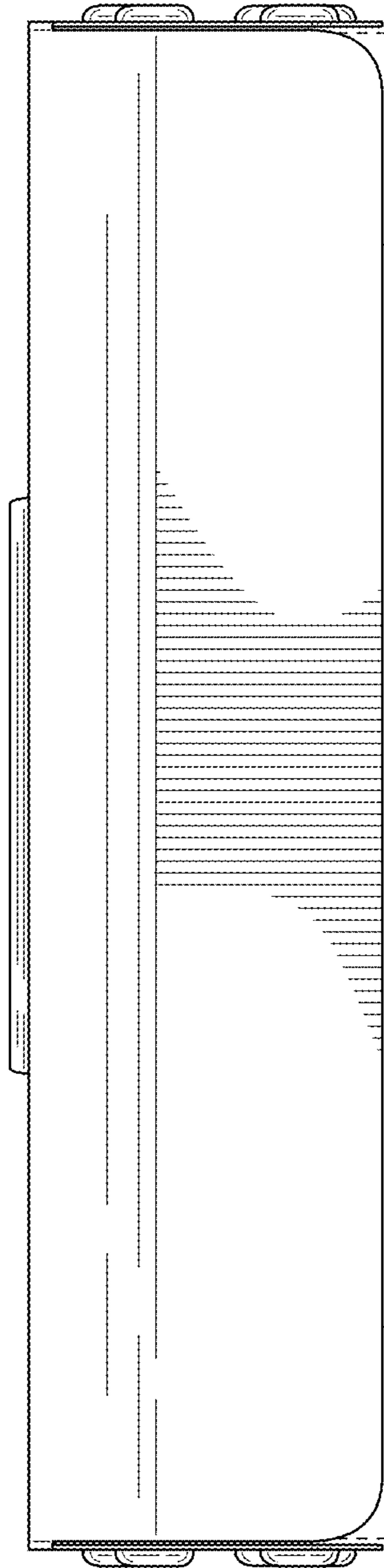


FIG. 3



**FIG. 4**