



US00D819385S

(12) **United States Design Patent** (10) **Patent No.:** **US D819,385 S**
Moore (45) **Date of Patent:** **** Jun. 5, 2018**

(54) **ELECTRONIC BEER BOILER**
(71) Applicant: **William Moore**, San Leandro, CA (US)
(72) Inventor: **William Moore**, San Leandro, CA (US)
(**) Term: **15 Years**
(21) Appl. No.: **29/591,094**
(22) Filed: **Jan. 17, 2017**
(51) **LOC (11) Cl.** **07-01**
(52) **U.S. Cl.**
USPC **D7/313**; D7/312; D7/306
(58) **Field of Classification Search**
USPC D7/300, 312, 313, 306, 512, 397, 398,
D7/307, 308; 220/666
CPC . B65D 21/086; A61J 1/05; C12C 7/24; C12C
13/10; C12C 13/00; B01D 43/00; B62B
11/00
See application file for complete search history.

(56) **References Cited**
U.S. PATENT DOCUMENTS
1,444,262 A * 2/1923 Morrison A47J 31/50
222/131
2,809,577 A * 10/1957 Sill A47J 31/10
99/290
3,971,304 A * 7/1976 Cvitkovich A47J 31/50
99/291
4,754,698 A * 7/1988 Naish C12C 13/10
99/275
D298,602 S * 11/1988 Price D7/313
5,311,811 A * 5/1994 Kuzyk C12G 1/0206
210/242.1
D356,713 S * 3/1995 Groover D7/306
6,520,368 B1 * 2/2003 Chiu A47J 41/00
220/630
D489,932 S * 5/2004 Picozza D7/306

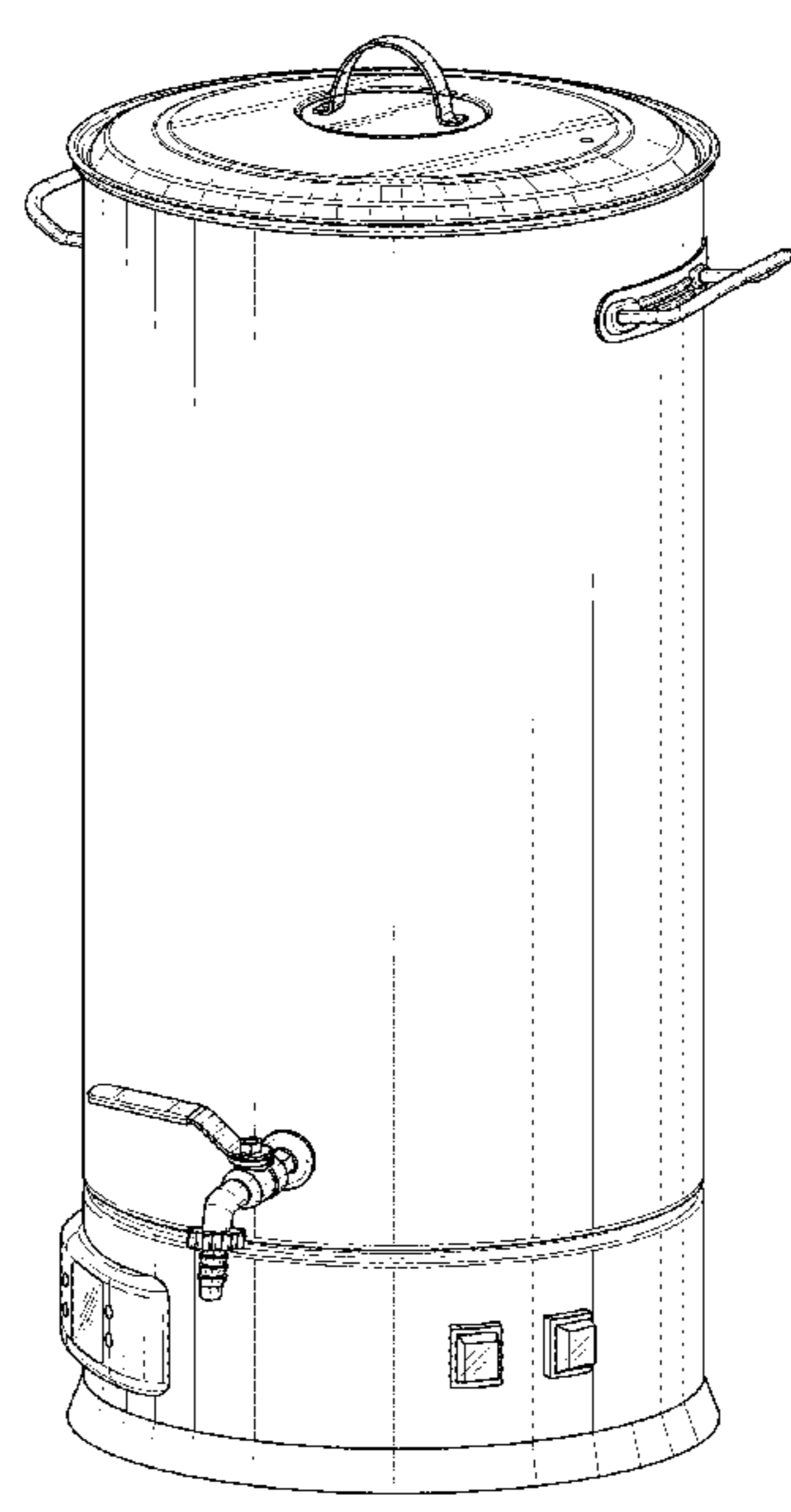
6,814,315 B2 * 11/2004 Gould B05C 5/027
118/323
7,249,772 B2 * 7/2007 Bruns B62B 3/00
220/915.2
D570,148 S * 6/2008 Garman D7/306
D593,354 S * 6/2009 Romandy D7/306
D602,301 S * 10/2009 Romandy 313/309
D612,658 S * 3/2010 Schenk D7/307
D655,124 S * 3/2012 Schenk D7/307
D655,562 S * 3/2012 Schenk D7/307
9,192,883 B1 * 11/2015 Blichmann B01D 43/00
2009/0285971 A1 * 11/2009 Broderick C12C 7/065
426/627
2016/0186108 A1 * 6/2016 Kucera C12C 13/10
99/276
2016/0348046 A1 * 12/2016 Wood C12H 1/22
2018/0016531 A1 * 1/2018 Park C12C 13/10

* cited by examiner
Primary Examiner — Marianne Pandozzi
(74) *Attorney, Agent, or Firm* — Steven A. Nielsen;
www.NielsenPatents.com

(57) **CLAIM**
The ornamental design for an electronic beer boiler, as shown and described.

DESCRIPTION
FIG. 1 is a top and side perspective view of an electronic beer boiler showing a new design; FIG. 2 is a front view thereof; FIG. 3 is a back view thereof; FIG. 4 is a right side view thereof; FIG. 5 is a left side view thereof; FIG. 6 is a top view thereof; and, FIG. 7 is a bottom view thereof.
The broken lines in the drawing depict portions of the electronic beer boiler that form no part of the claimed design.

1 Claim, 6 Drawing Sheets



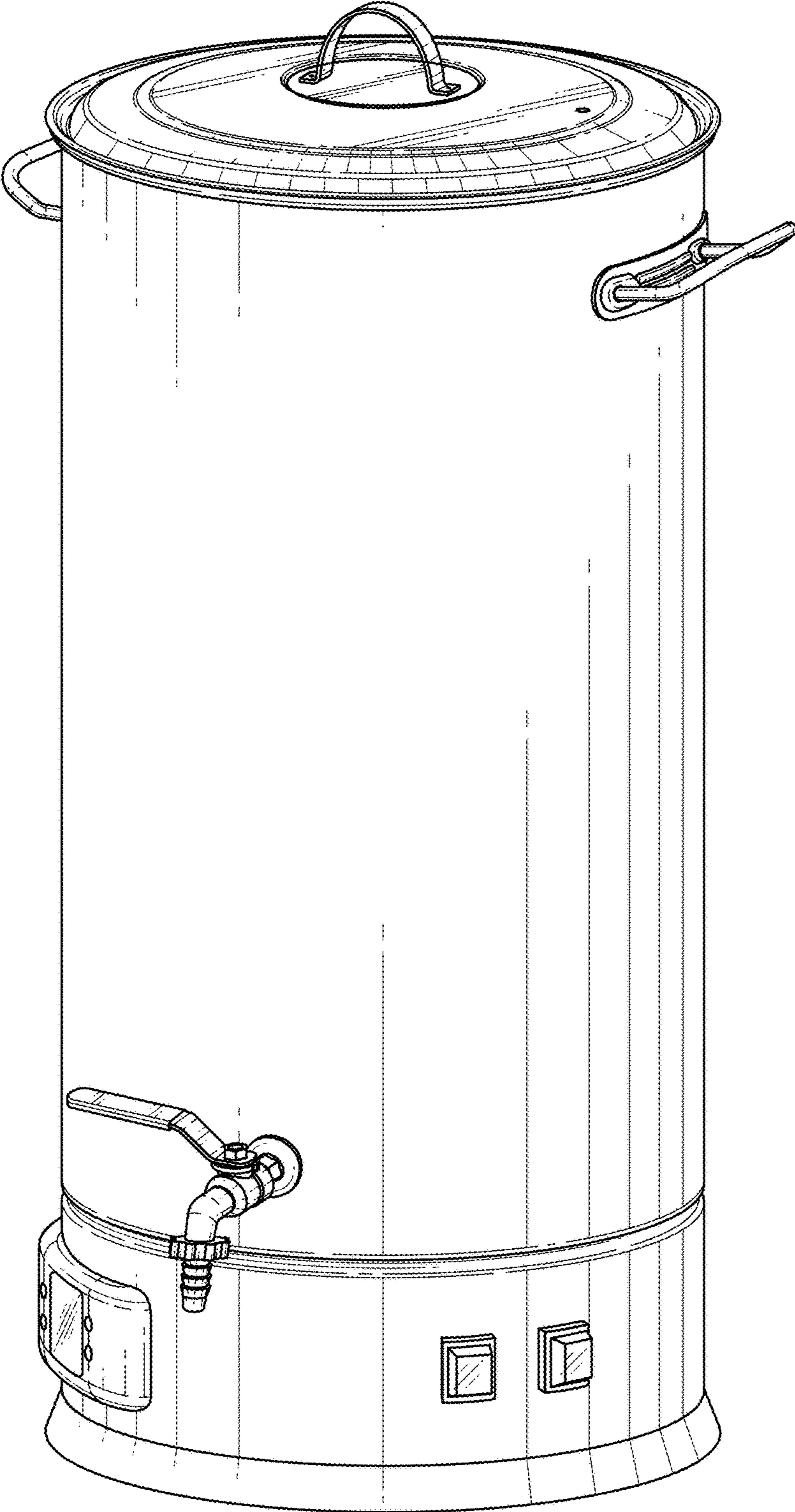


FIG. 1

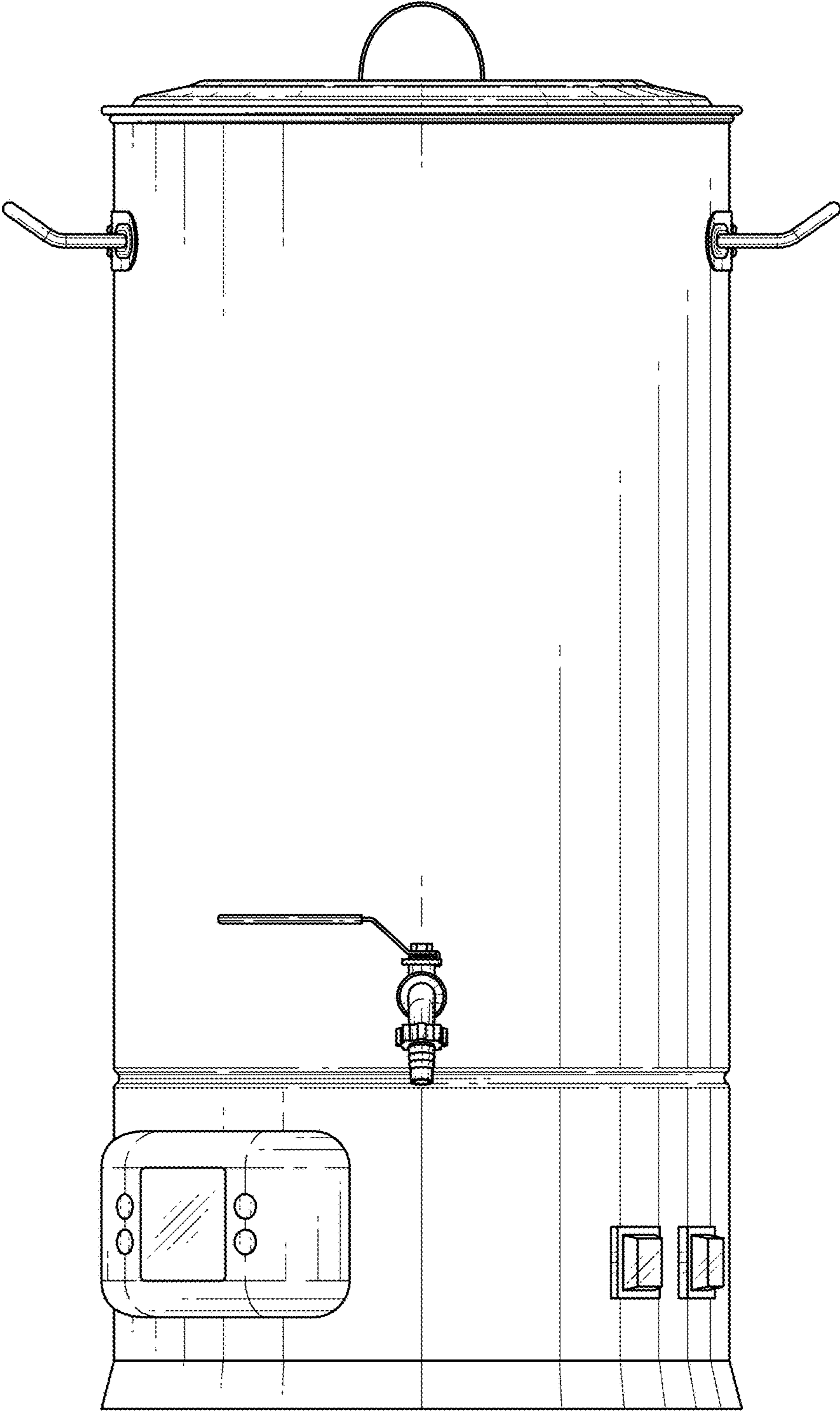


FIG. 2

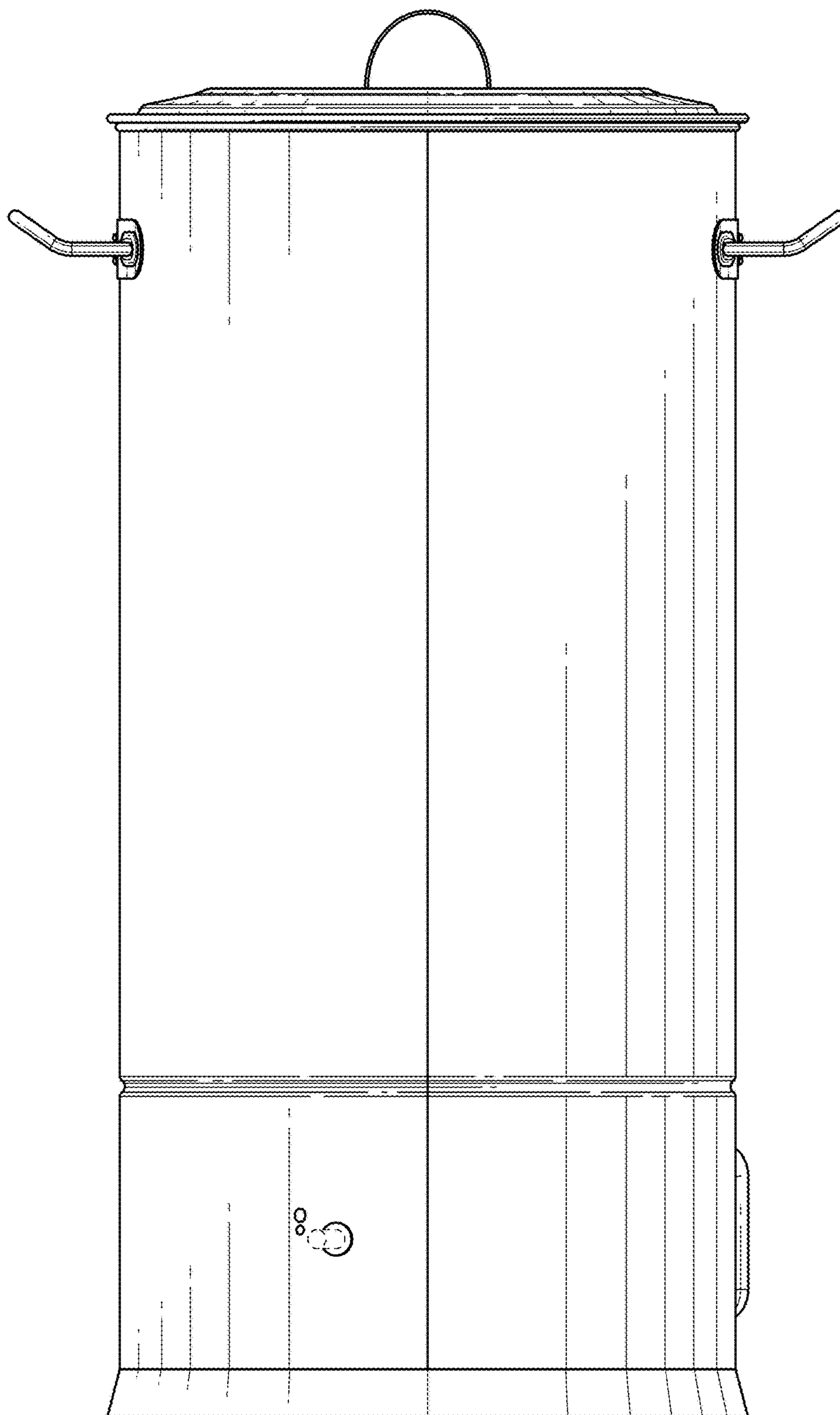


FIG. 3

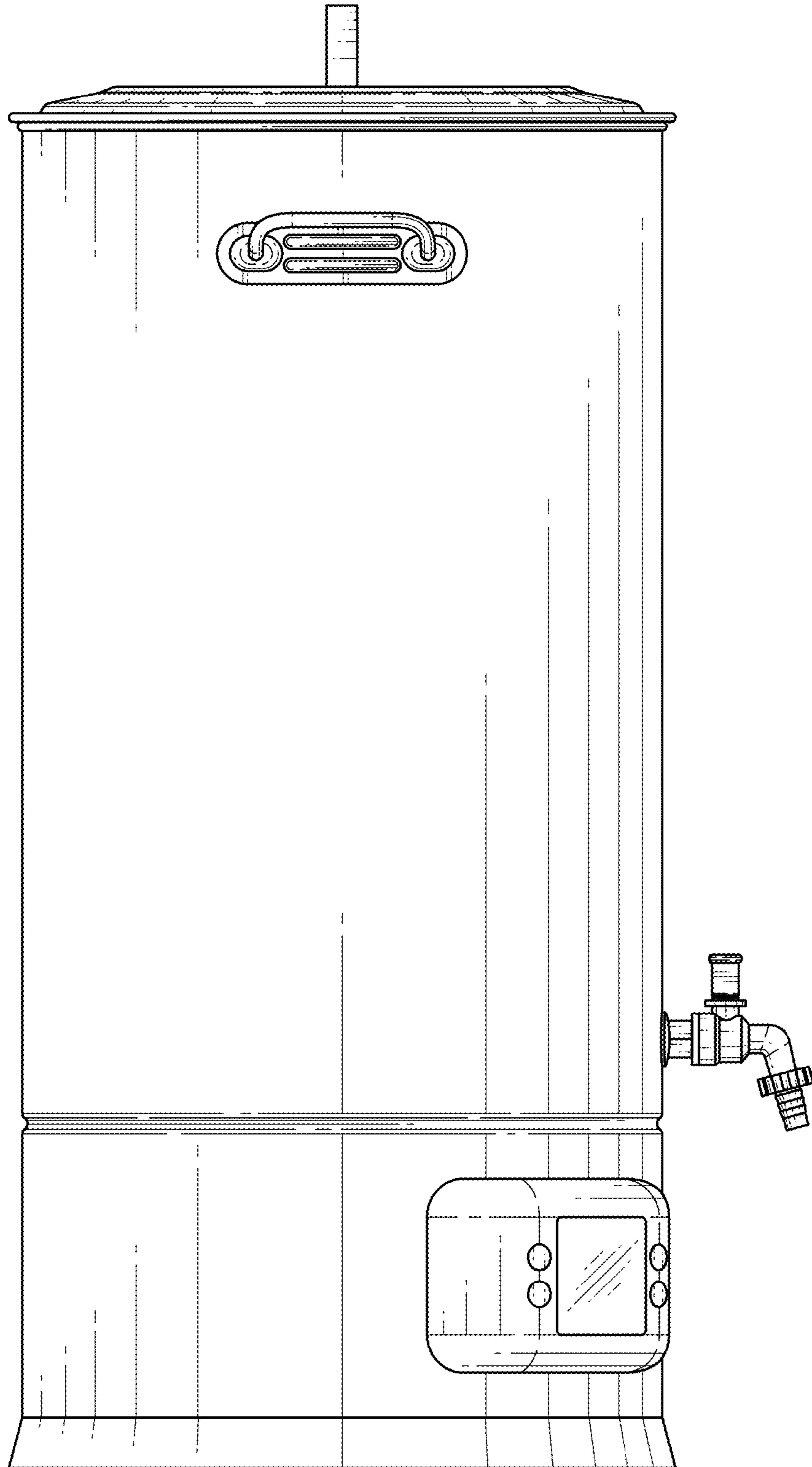


FIG. 4

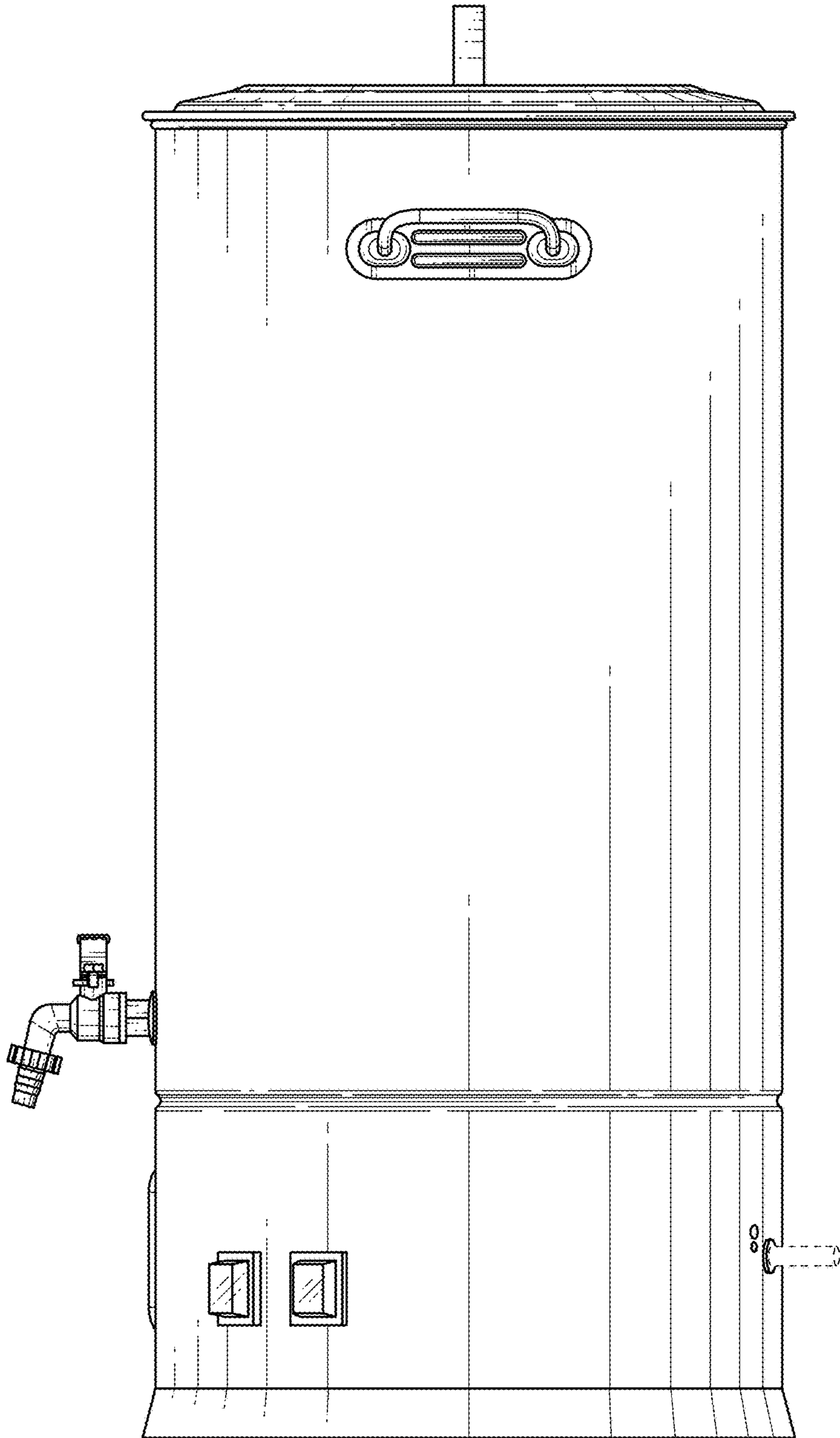


FIG. 5

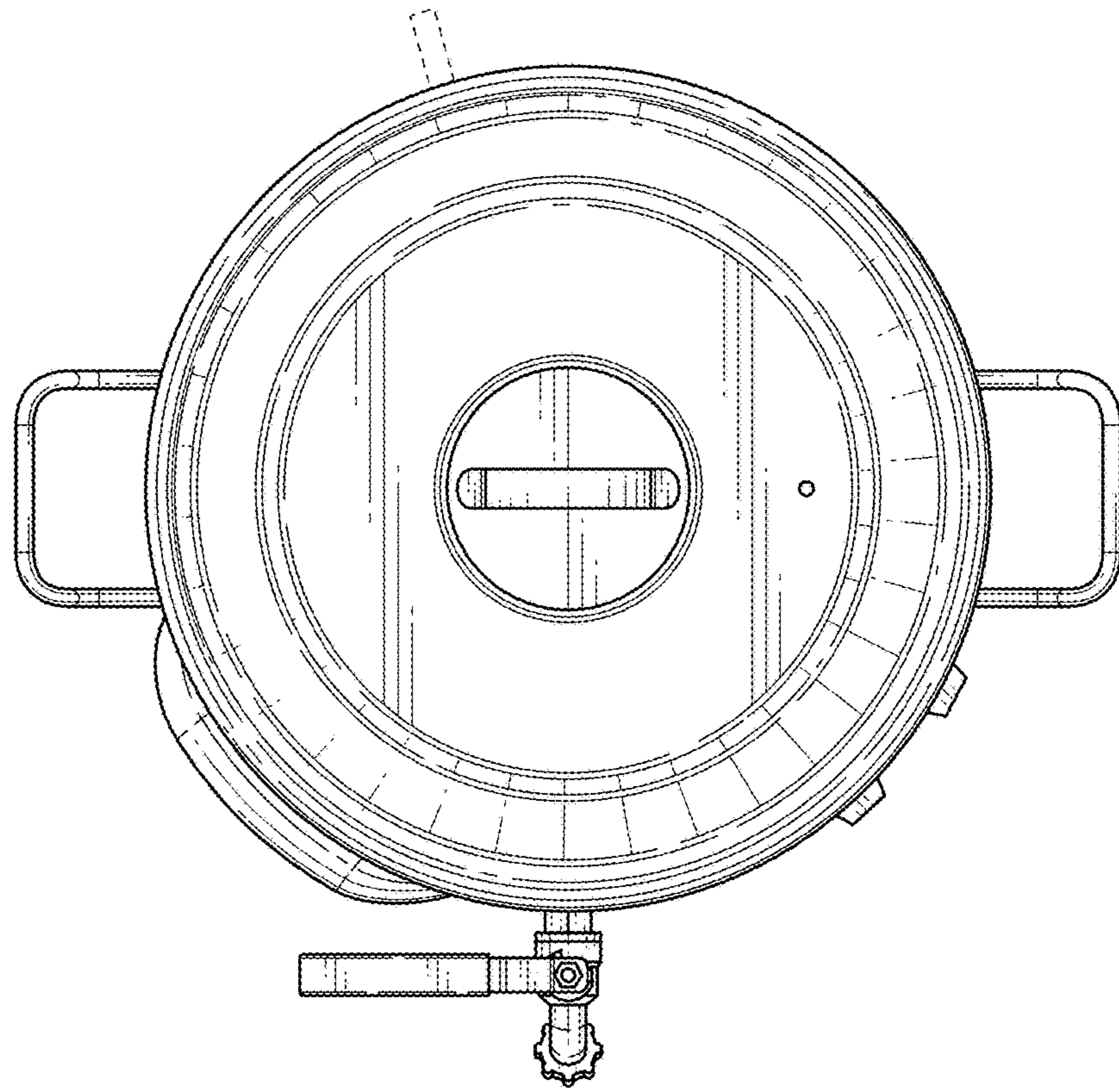


FIG. 6

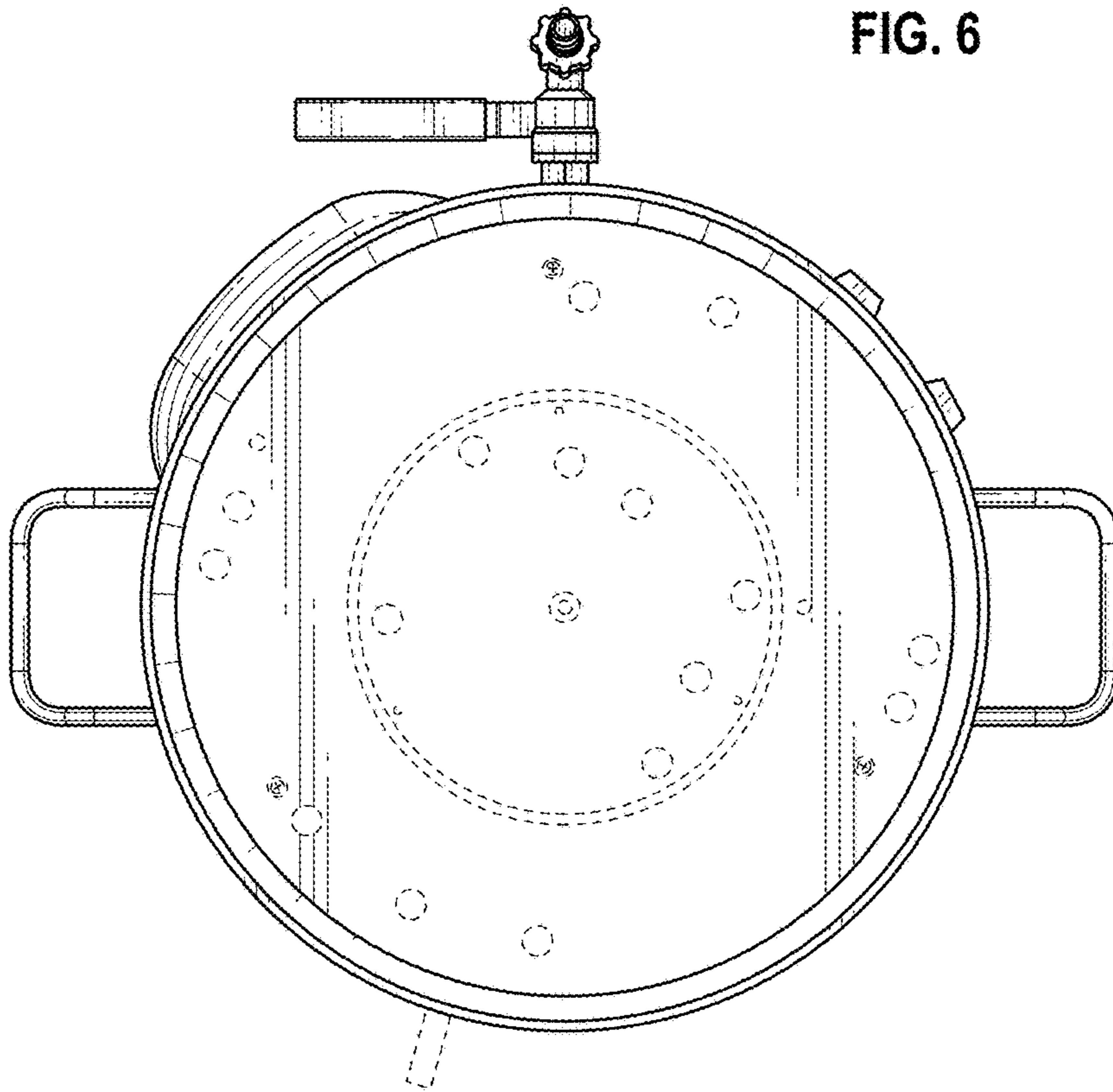


FIG. 7