



US00D819383S

(12) **United States Design Patent** (10) **Patent No.:** **US D819,383 S**
Hecht et al. (45) **Date of Patent:** **** Jun. 5, 2018**

- (54) **BEVERAGE DISPENSING TOWER**
- (71) Applicant: **Automatic Bar Controls, Inc.**,
Vacaville, CA (US)
- (72) Inventors: **Thomas R. Hecht**, Winters, CA (US);
Bret D. Baker, Vacaville, CA (US);
Steven D. Chappell, Windsor, CO (US)
- (73) Assignee: **Automatic Bar Controls, Inc.**,
Vacaville, CA (US)
- (**) Term: **15 Years**
- (21) Appl. No.: **29/570,428**
- (22) Filed: **Jul. 7, 2016**
- (51) **LOC (11) Cl.** **07-01**
- (52) **U.S. Cl.**
USPC **D7/306; D7/397; D7/398**
- (58) **Field of Classification Search**
USPC D7/305-311, 313, 398, 397; D15/82;
222/129.1, 146.6; 99/295
CPC A47J 31/44; A47J 31/4403; A47J 31/46;
A47J 31/4482; A47J 31/369; A47J
31/407; A47J 31/10; A47J 31/467; A47J
31/0615; A47J 31/3614; B67D 1/36;
B67D 2210/0065; B67D 1/0864; B67D
3/0061; A47F 3/16
See application file for complete search history.

- D369,937 S * 5/1996 Guadalupi D7/300
- D450,974 S * 11/2001 Scullion D7/306
- D643,682 S * 8/2011 Asthon D7/397
- D646,105 S * 10/2011 Deo D7/306
- D655,122 S * 3/2012 Bingul D7/306
- D655,123 S * 3/2012 Bingul D7/306
- D682,597 S * 5/2013 Bingul D7/306
- D691,204 S * 10/2013 d'Amore D20/1
- D704,492 S * 5/2014 Broen D7/306
- D727,673 S * 4/2015 Broen D7/306

* cited by examiner

Primary Examiner — Marianne Pandozzi

(74) *Attorney, Agent, or Firm* — Kilpatrick Townsend & Stockton LLP

(57) **CLAIM**

The ornamental design for a beverage dispensing tower, as shown and described.

DESCRIPTION

FIG. 1 is a perspective view of a first embodiment of a beverage dispensing tower, showing our new design; FIG. 2 is a rear perspective view thereof; FIG. 3 is a front view thereof; FIG. 4 is a rear view thereof; FIG. 5 is a right side view thereof; FIG. 6 is a top view thereof; FIG. 7 is a perspective view thereof showing an environment; and, FIG. 8 is a perspective view thereof showing an environment.

The left side views of the embodiments of the beverage dispensing tower are mirror images of the right side views thereof illustrated in FIG. 5.

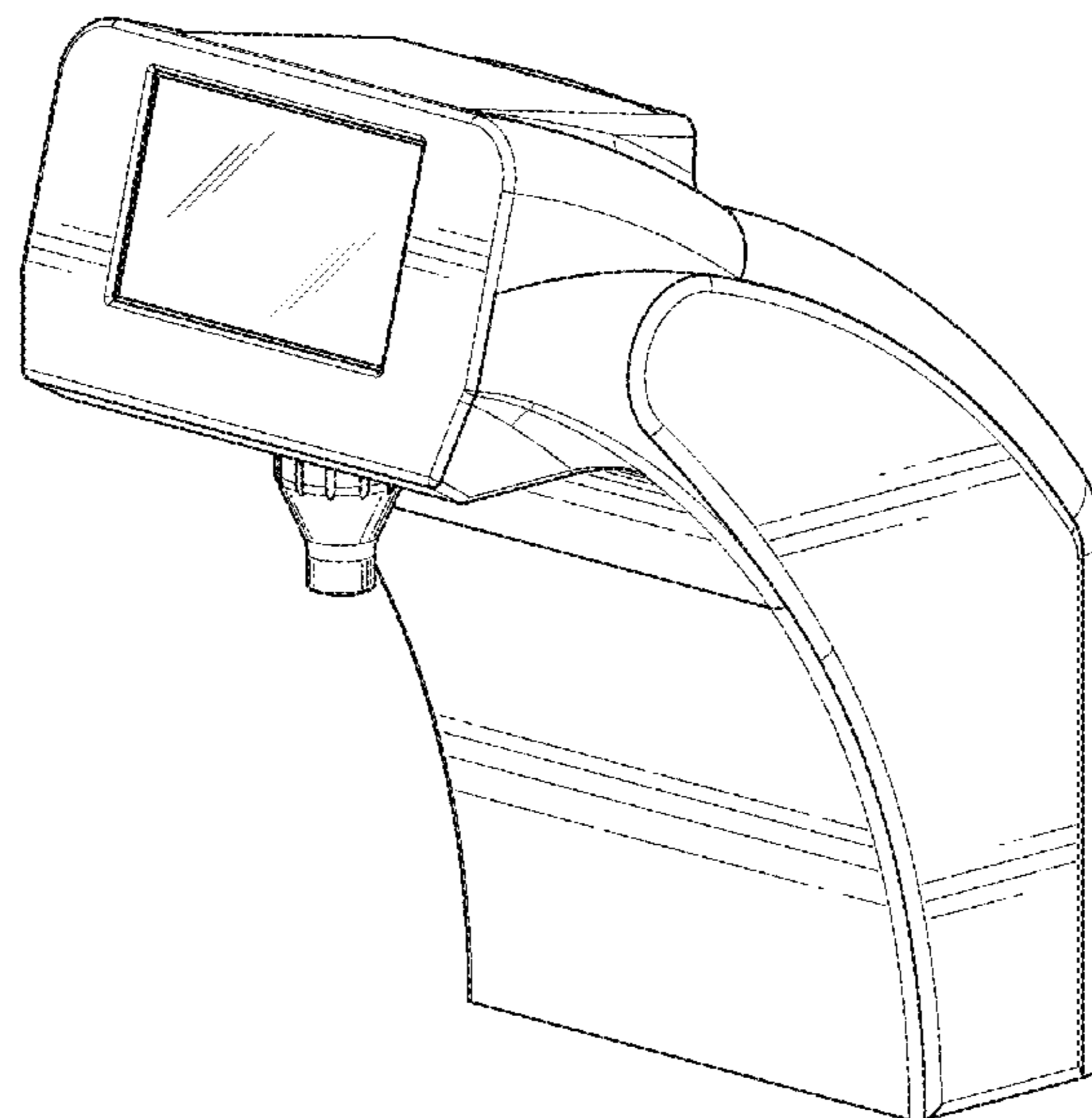
The broken lines in the drawing depict environmental subject matter only and form no part of the claimed design.

1 Claim, 8 Drawing Sheets

(56) **References Cited**

U.S. PATENT DOCUMENTS

- D202,688 S * 11/1965 Cornelelius et al. D7/311
- D256,125 S * 7/1980 Erickson D7/398
- D259,725 S * 6/1981 Wasserstrom D7/308
- D268,977 S * 5/1983 Marotta D7/309
- D287,089 S * 12/1986 Cesaroni D7/308
- D340,616 S * 10/1993 Williams D7/311



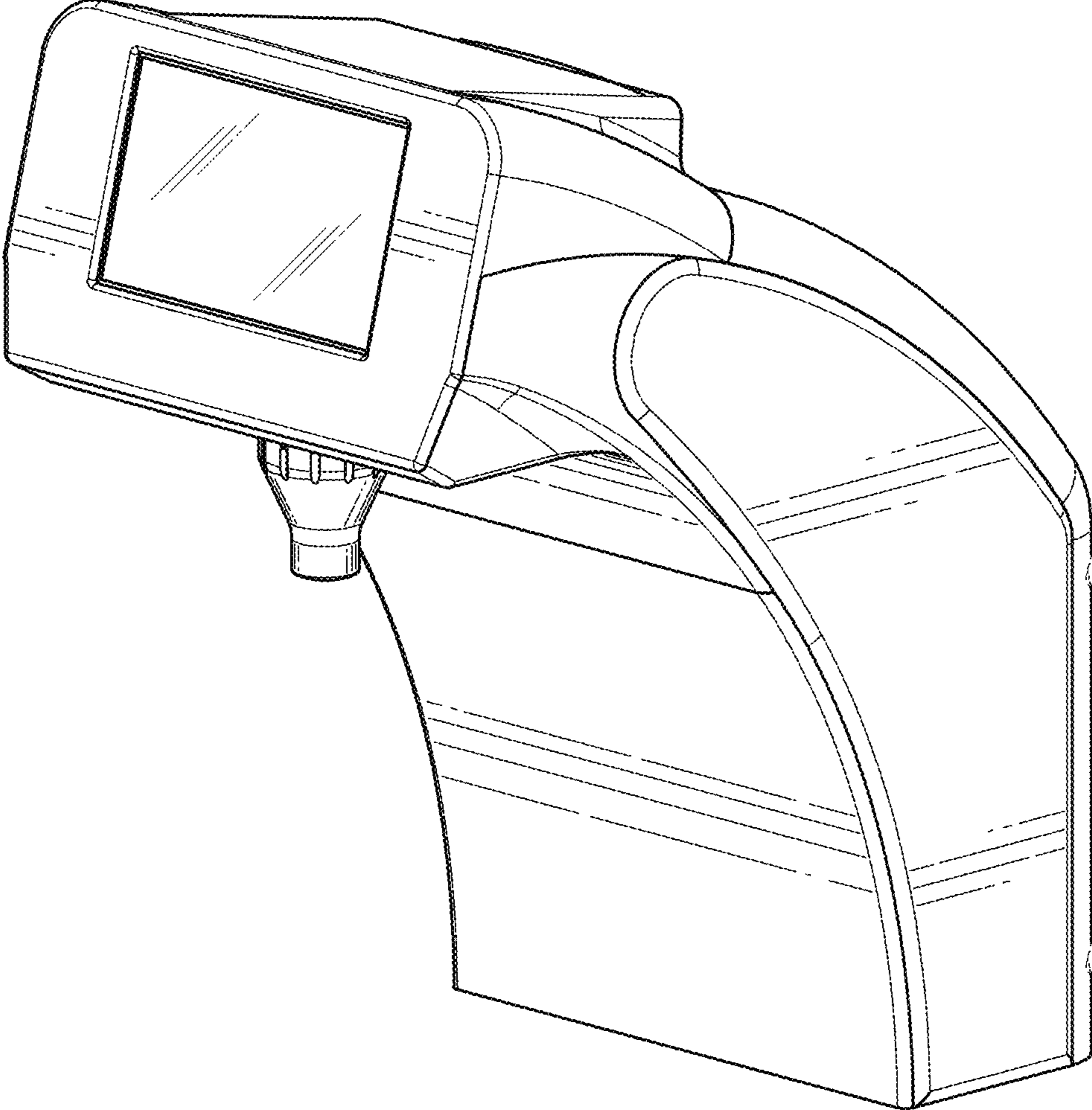


FIG. 1

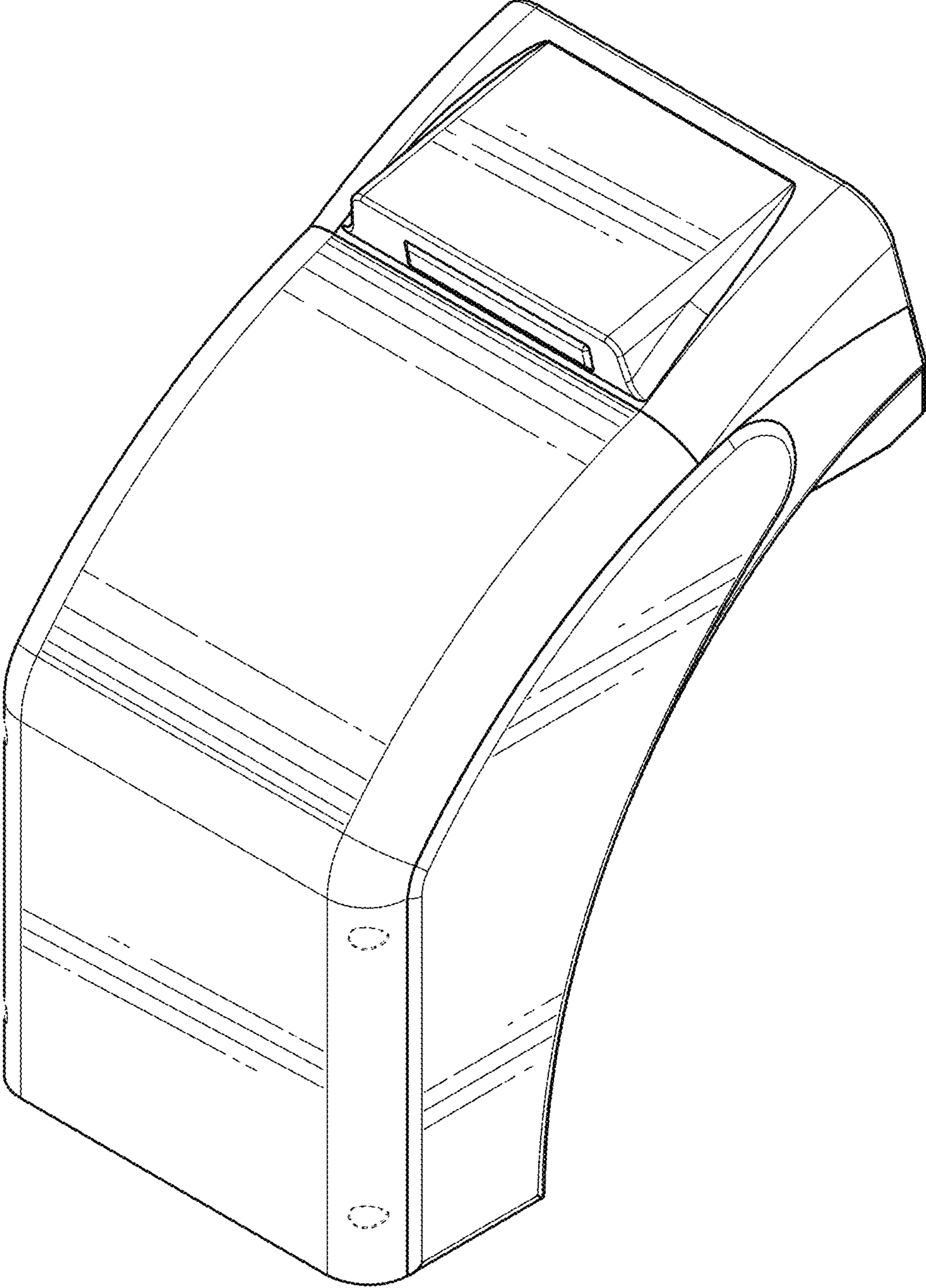


FIG. 2

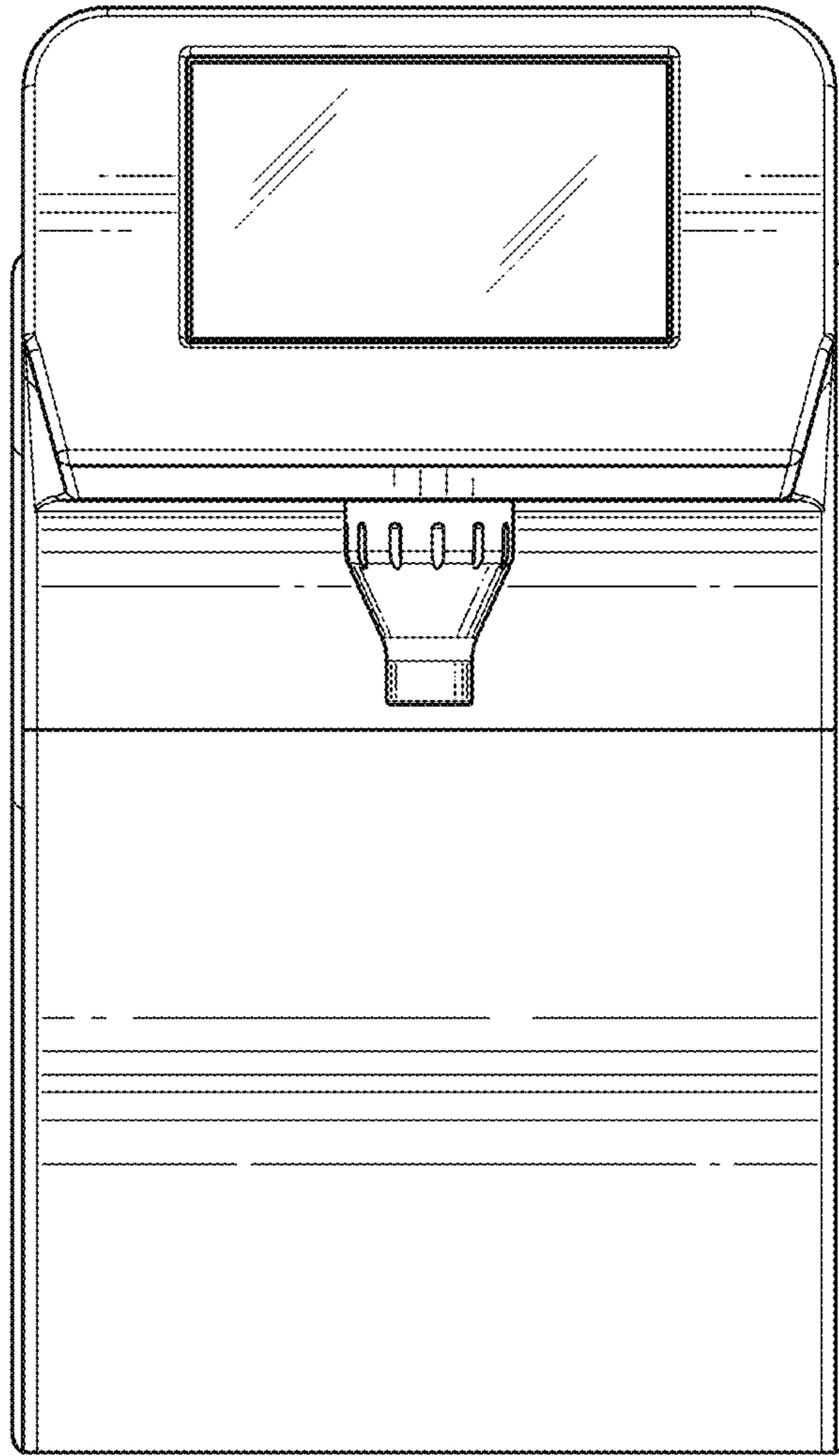


FIG. 3

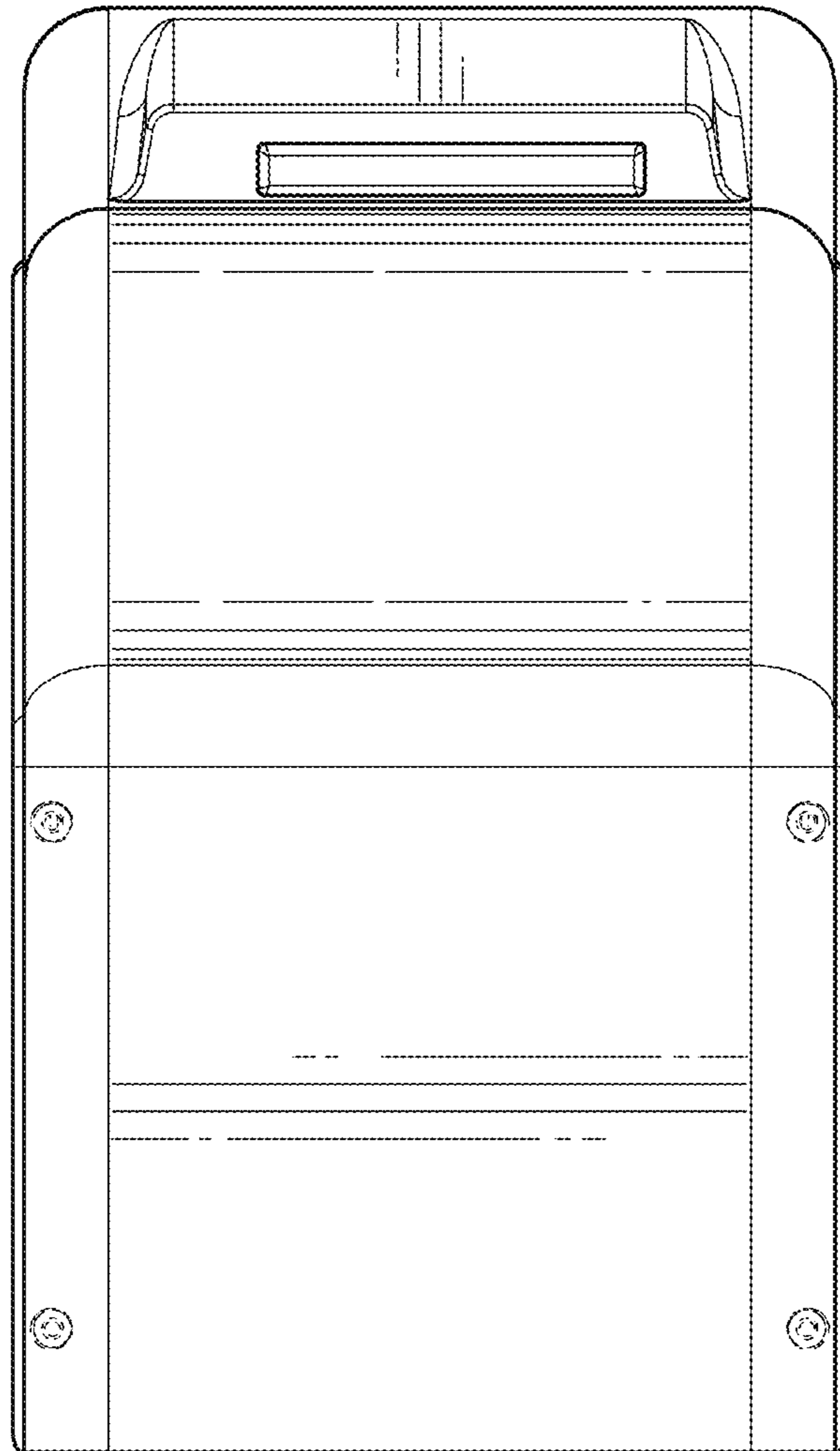


FIG. 4

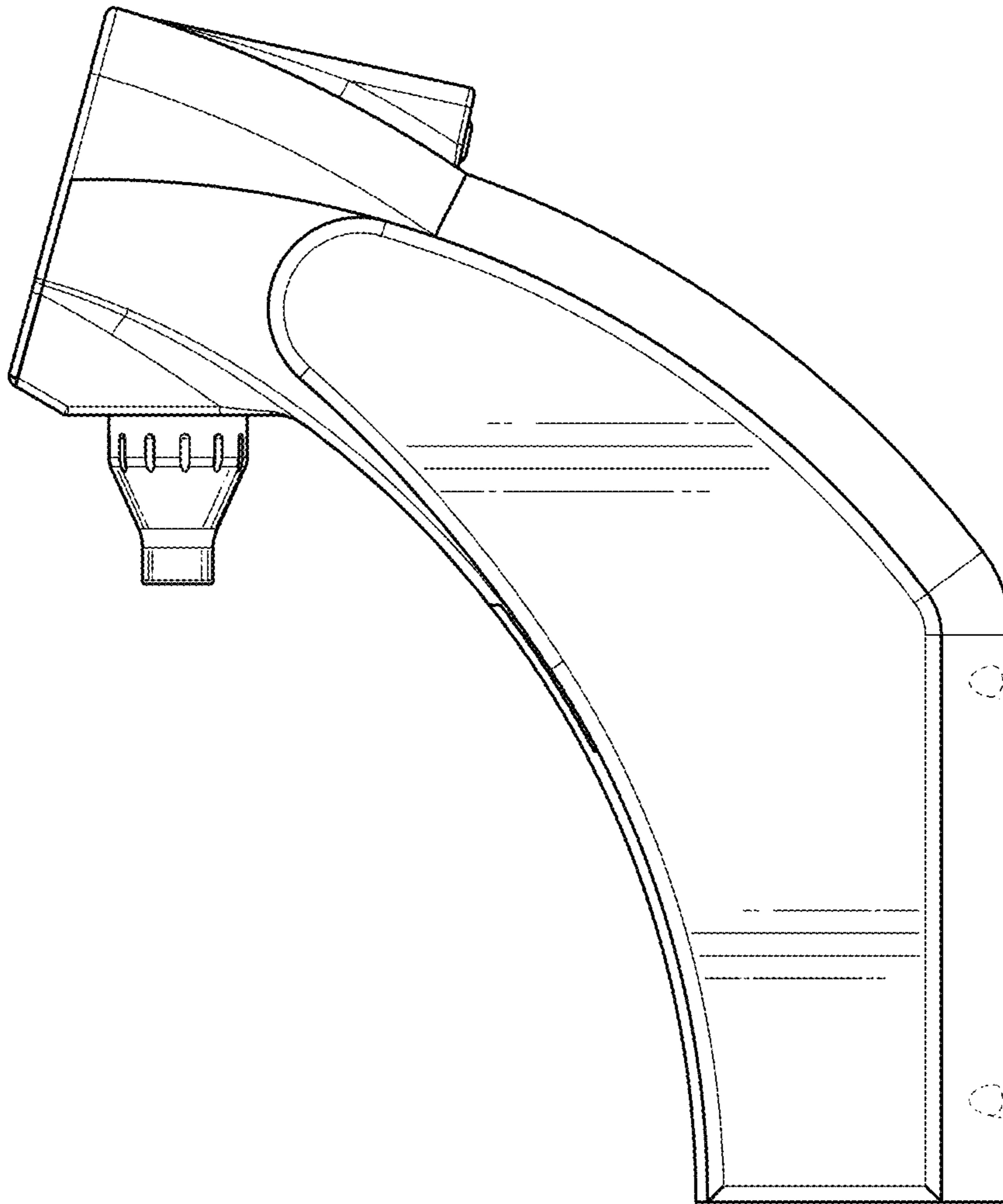


FIG. 5

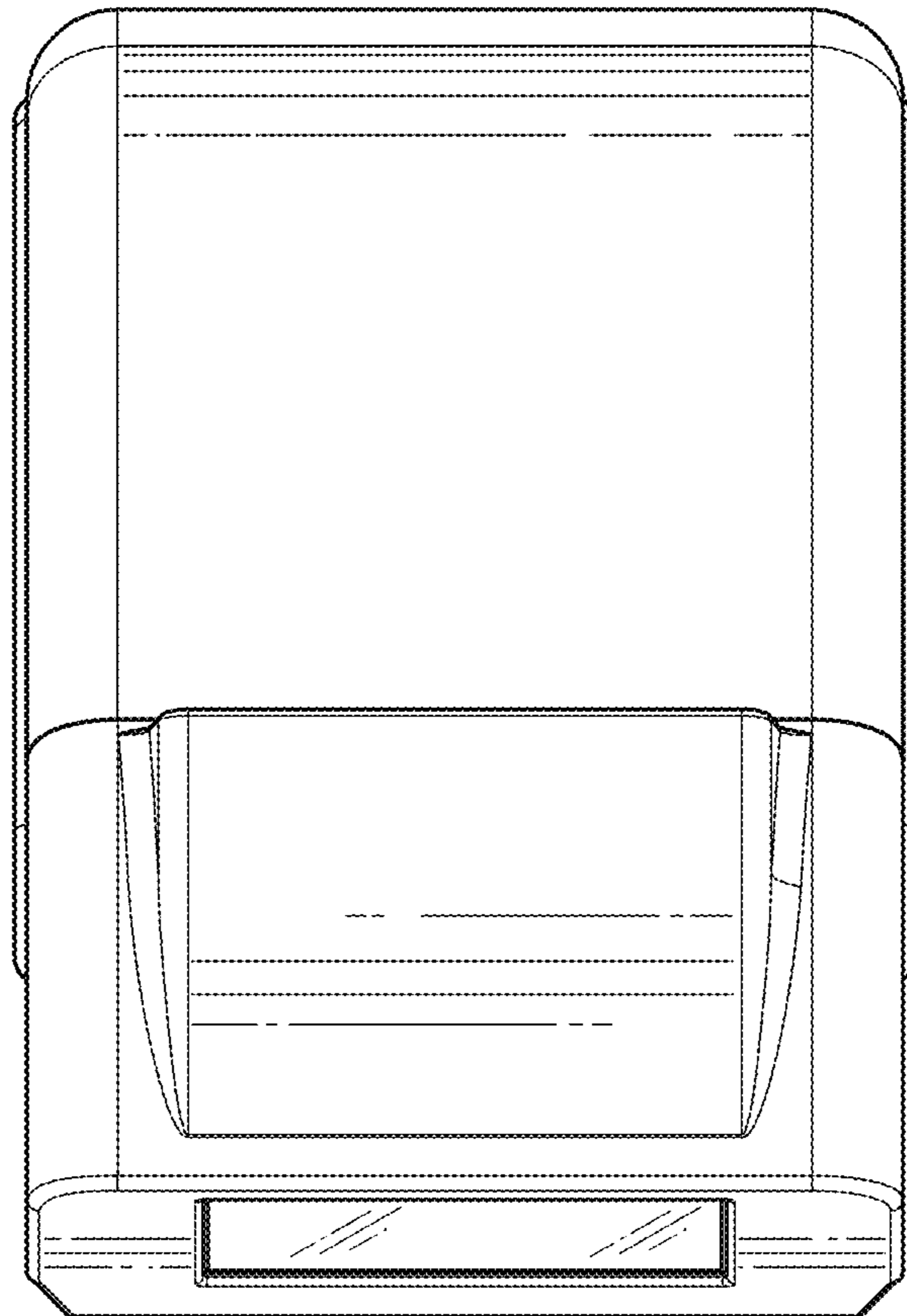


FIG. 6

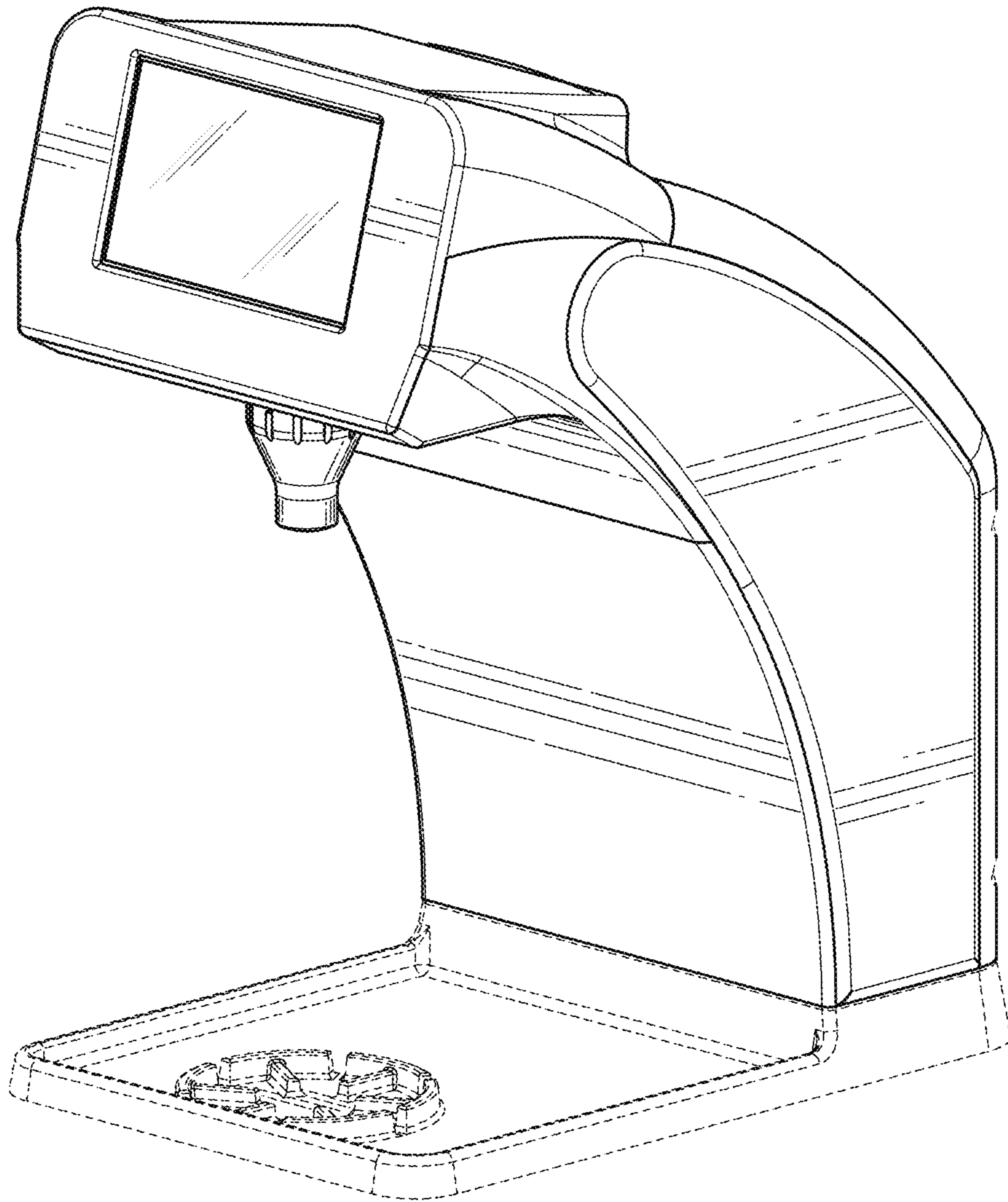


FIG. 7

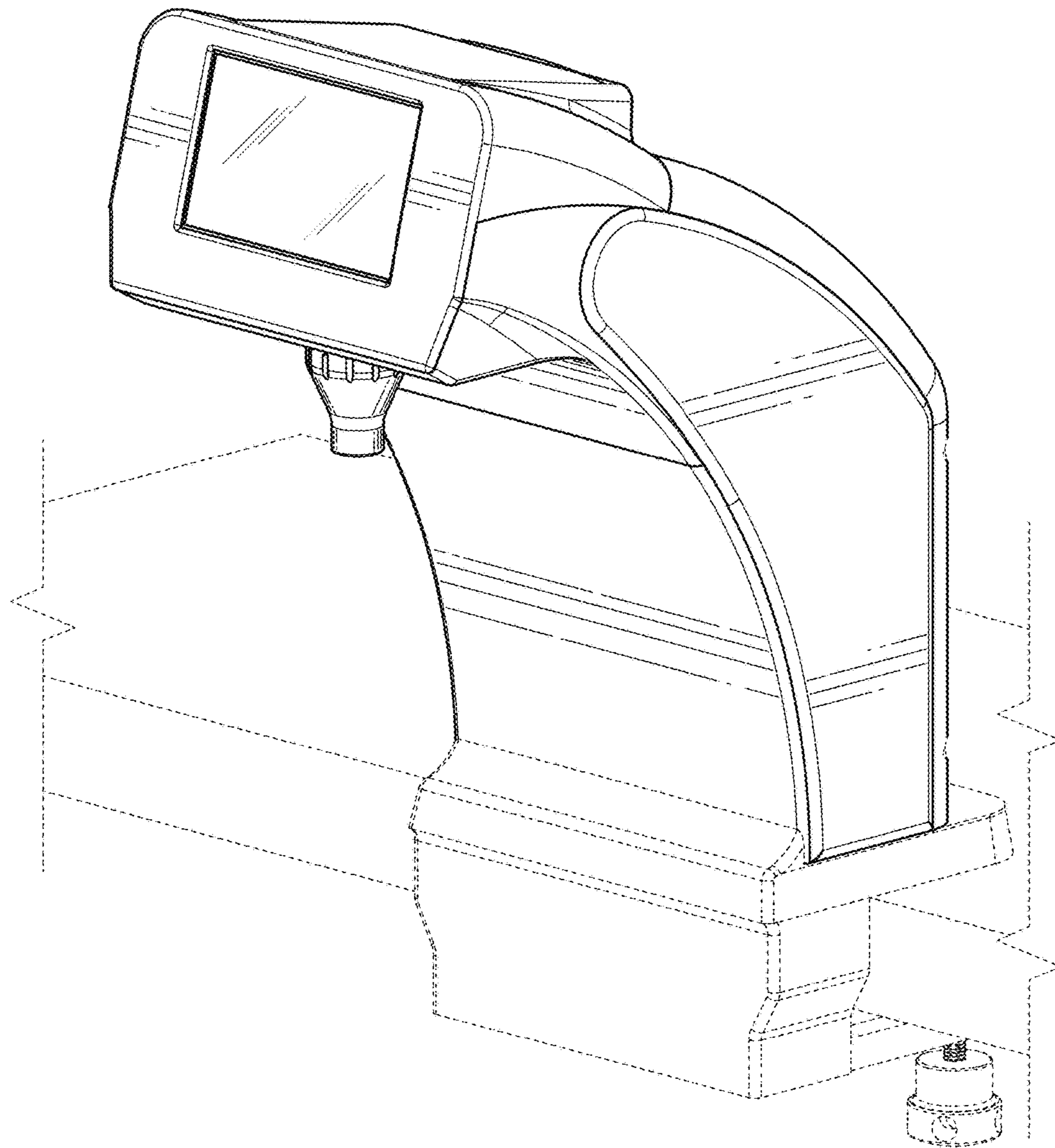


FIG. 8