



US00D819381S

(12) **United States Design Patent** (10) **Patent No.:** **US D819,381 S**  
**Lee** (45) **Date of Patent:** **\*\* Jun. 5, 2018**

(54) **GLIDER FRAME**

(71) Applicant: **JBL INTERNATIONAL, INC.**,  
Houston, TX (US)

(72) Inventor: **Lawrence K. Lee**, Houston, TX (US)

(73) Assignee: **JBL INTERNATIONAL, INC.**,  
Houston, TX (US)

(\*\*) Term: **15 Years**

(21) Appl. No.: **29/612,825**

(22) Filed: **Aug. 4, 2017**

(51) **LOC (11) Cl.** ..... **06-01**

(52) **U.S. Cl.**  
USPC ..... **D6/717; D6/344**

(58) **Field of Classification Search**  
USPC ..... D6/334-336, 344, 346, 347, 370, 374,  
D6/375, 379, 380, 381, 716, 716.2, 716.3,  
D6/717  
CPC ..... A47C 3/0255; A47C 7/16; A47C 11/00;  
A63G 9/00; A63G 9/02  
See application file for complete search history.

(56) **References Cited**

**U.S. PATENT DOCUMENTS**

D291,157 S \* 8/1987 Martin ..... D6/717  
D343,315 S \* 1/1994 Schwartz ..... D6/379

D423,801 S \* 5/2000 Noll ..... D6/344  
D432,323 S \* 10/2000 Pomeroy ..... D6/344  
D434,573 S \* 12/2000 Noll ..... D6/344  
D648,157 S \* 11/2011 McCurry ..... D6/717  
D747,906 S \* 1/2016 Paz ..... D6/717

\* cited by examiner

*Primary Examiner* — Mimosa De  
(74) *Attorney, Agent, or Firm* — Egbert Law Offices,  
PLLC

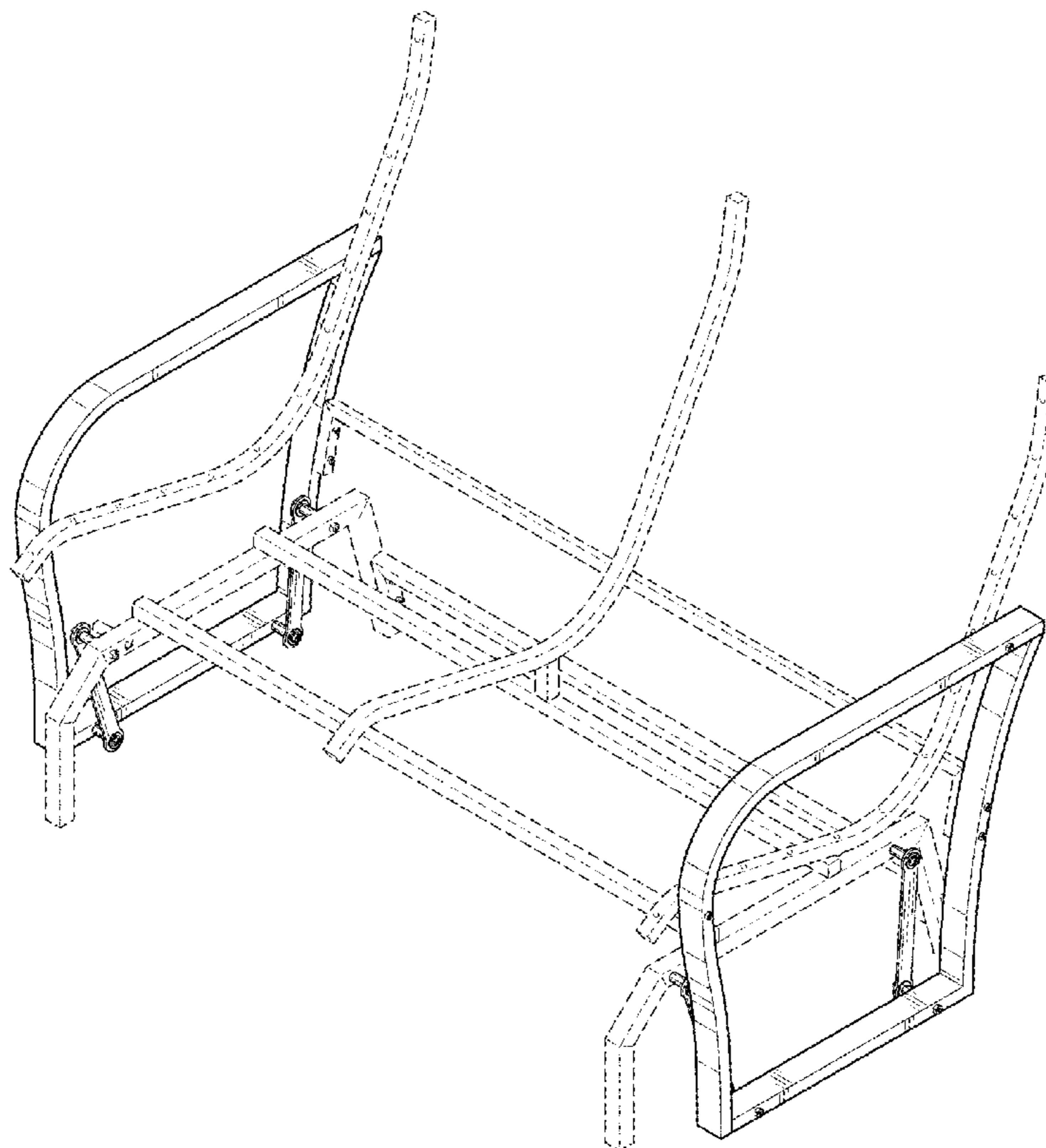
(57) **CLAIM**

The ornamental design for a glider frame, as shown and described.

**DESCRIPTION**

FIG. 1 is a perspective view of a glider frame showing my new design.  
FIG. 2 is a front view thereof;  
FIG. 3 is a rear view thereof;  
FIG. 4 is a side view thereof;  
FIG. 5 is an opposite side view thereof;  
FIG. 6 is a top view thereof; and,  
FIG. 7 is a bottom view thereof.  
The features presented in broken lines represent unclaimed portions of the glider frame and form no part of the claimed design.

**1 Claim, 3 Drawing Sheets**



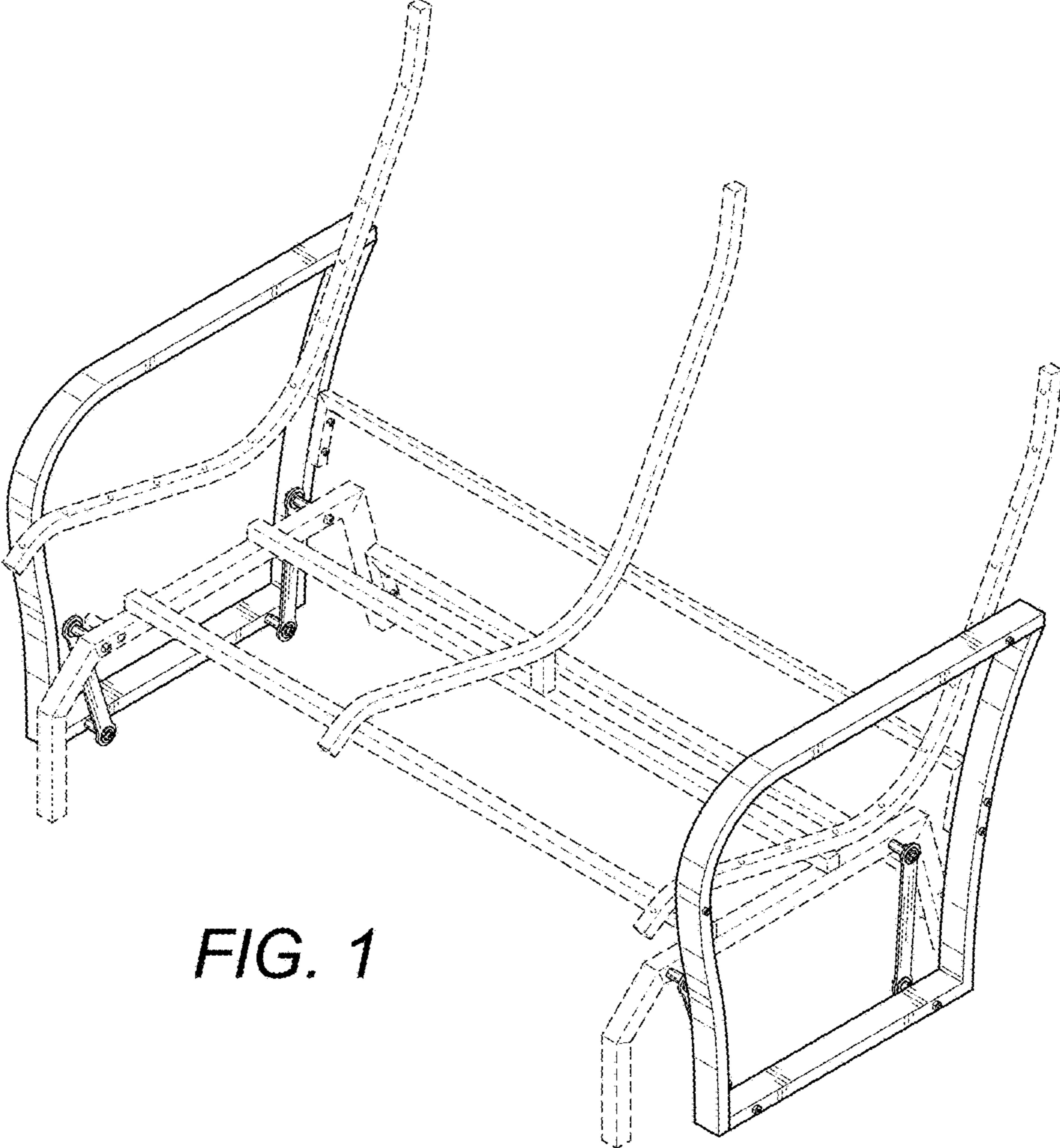


FIG. 1

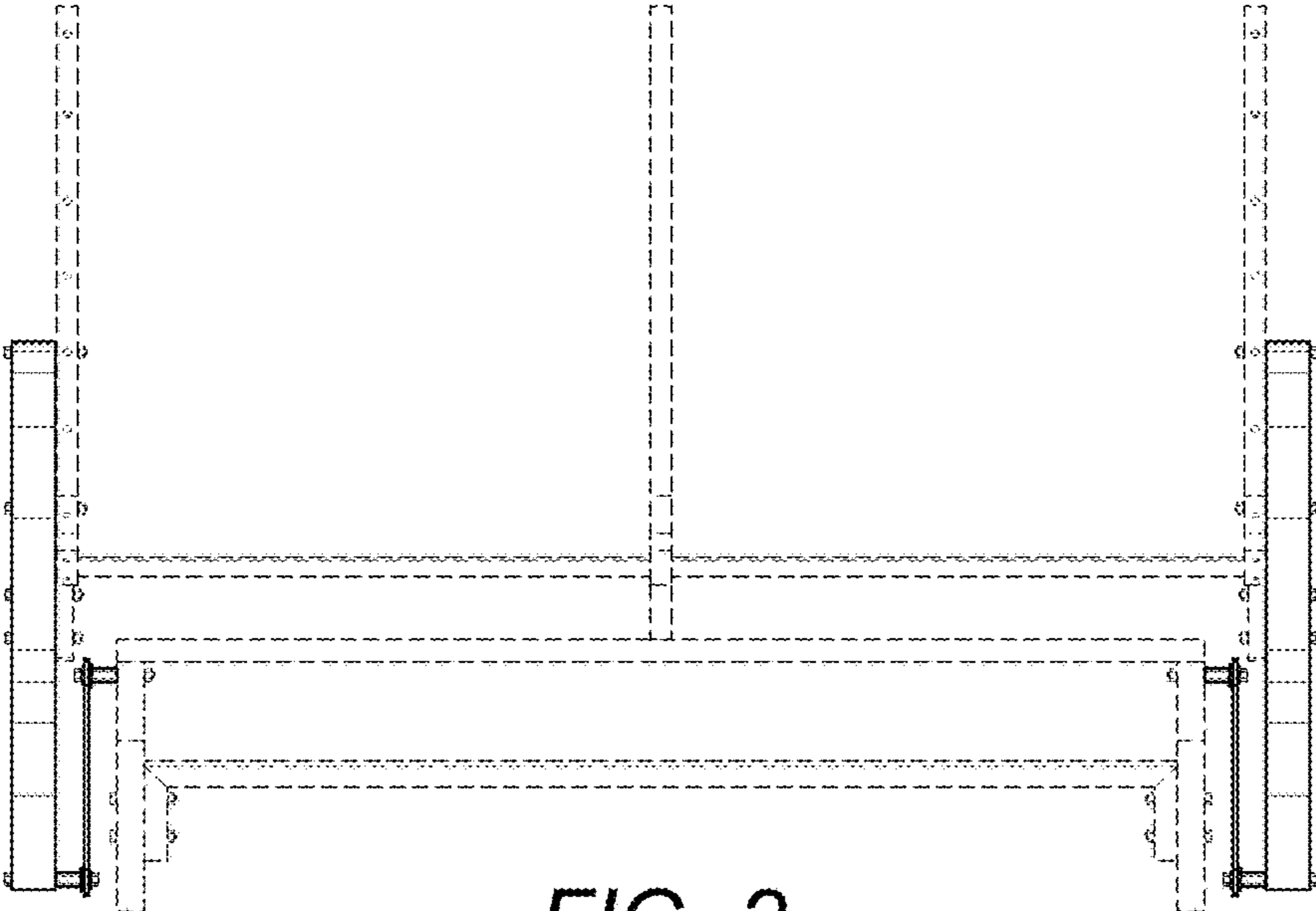


FIG. 2

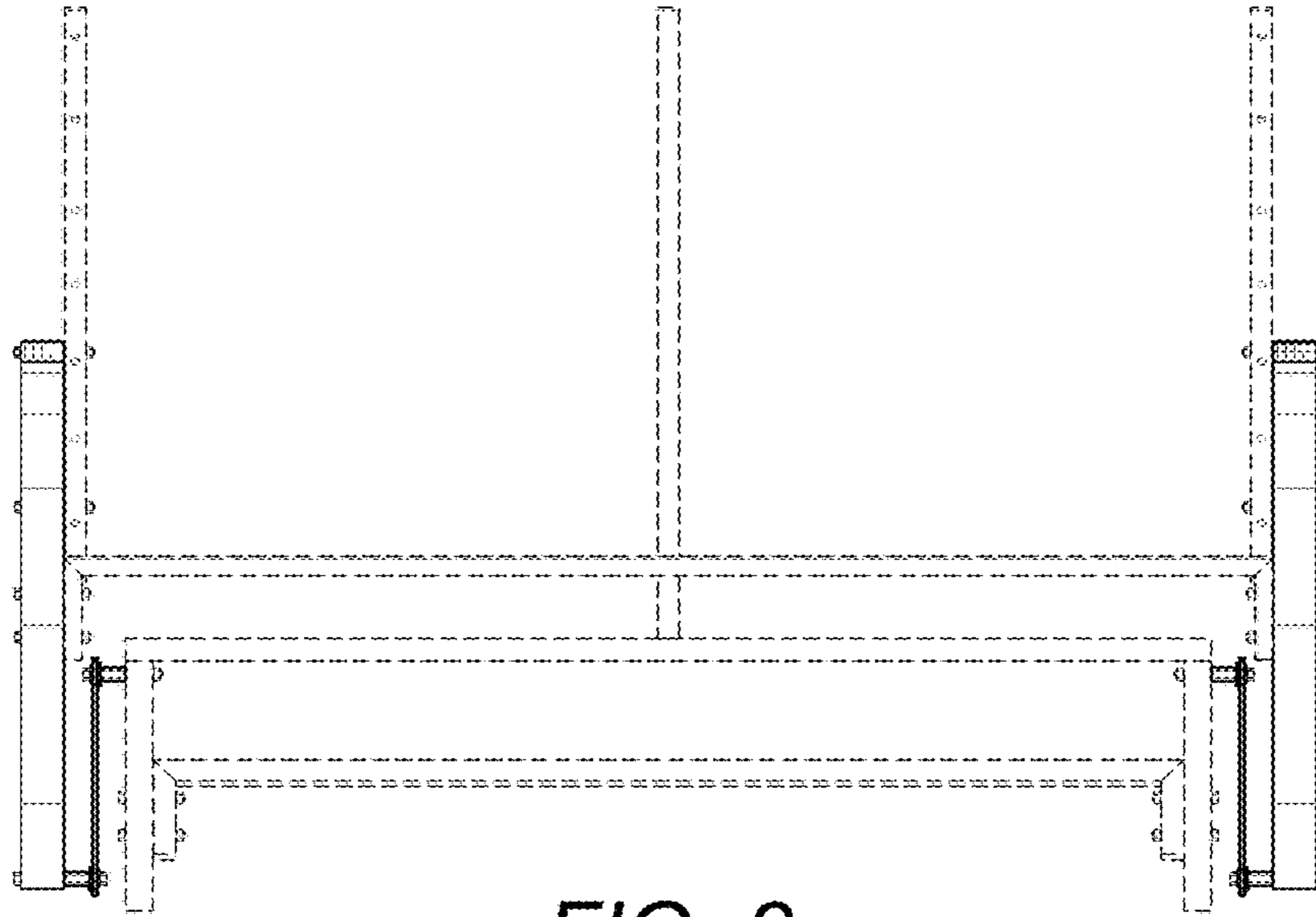


FIG. 3

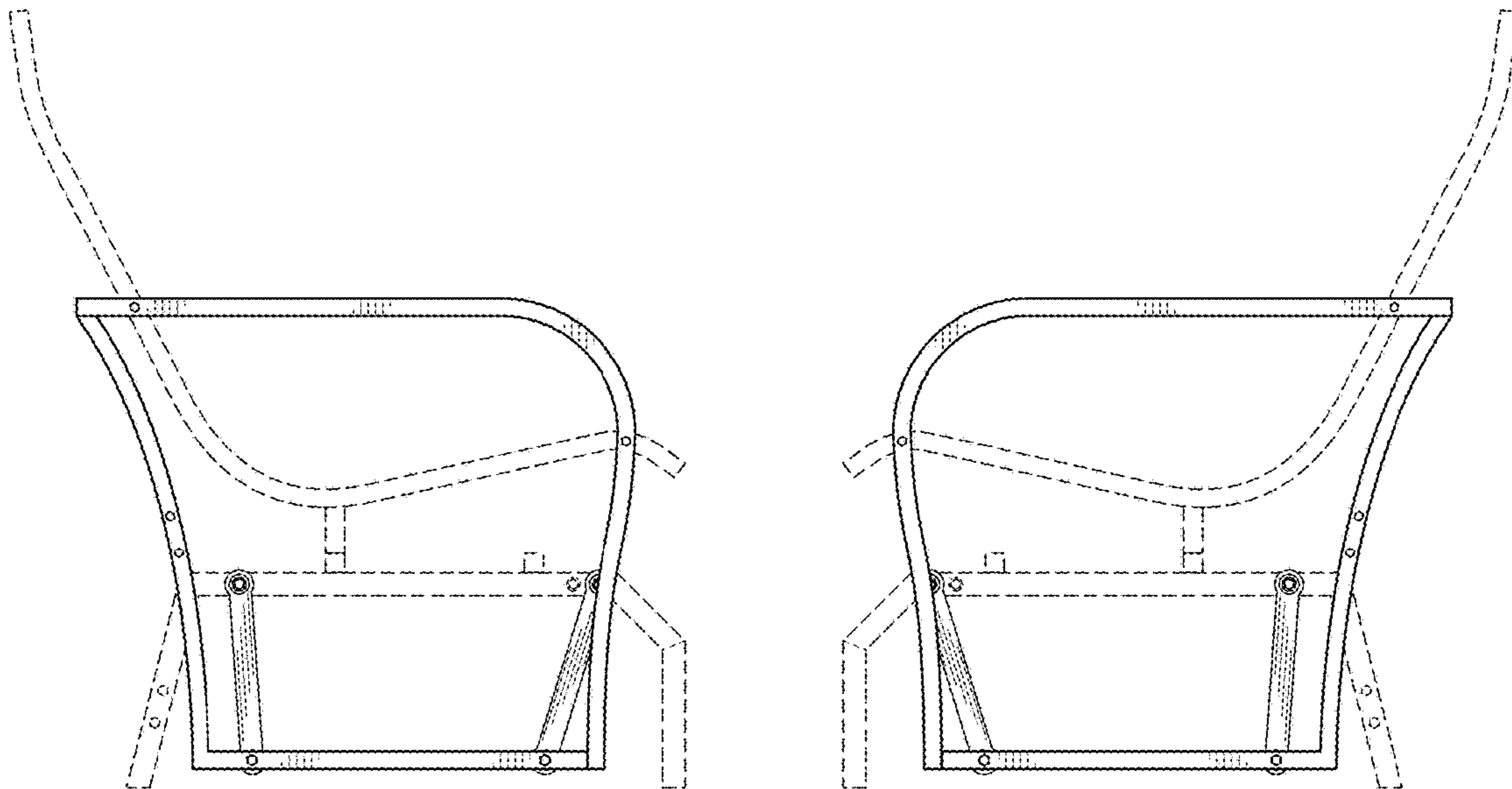


FIG. 4

FIG. 5

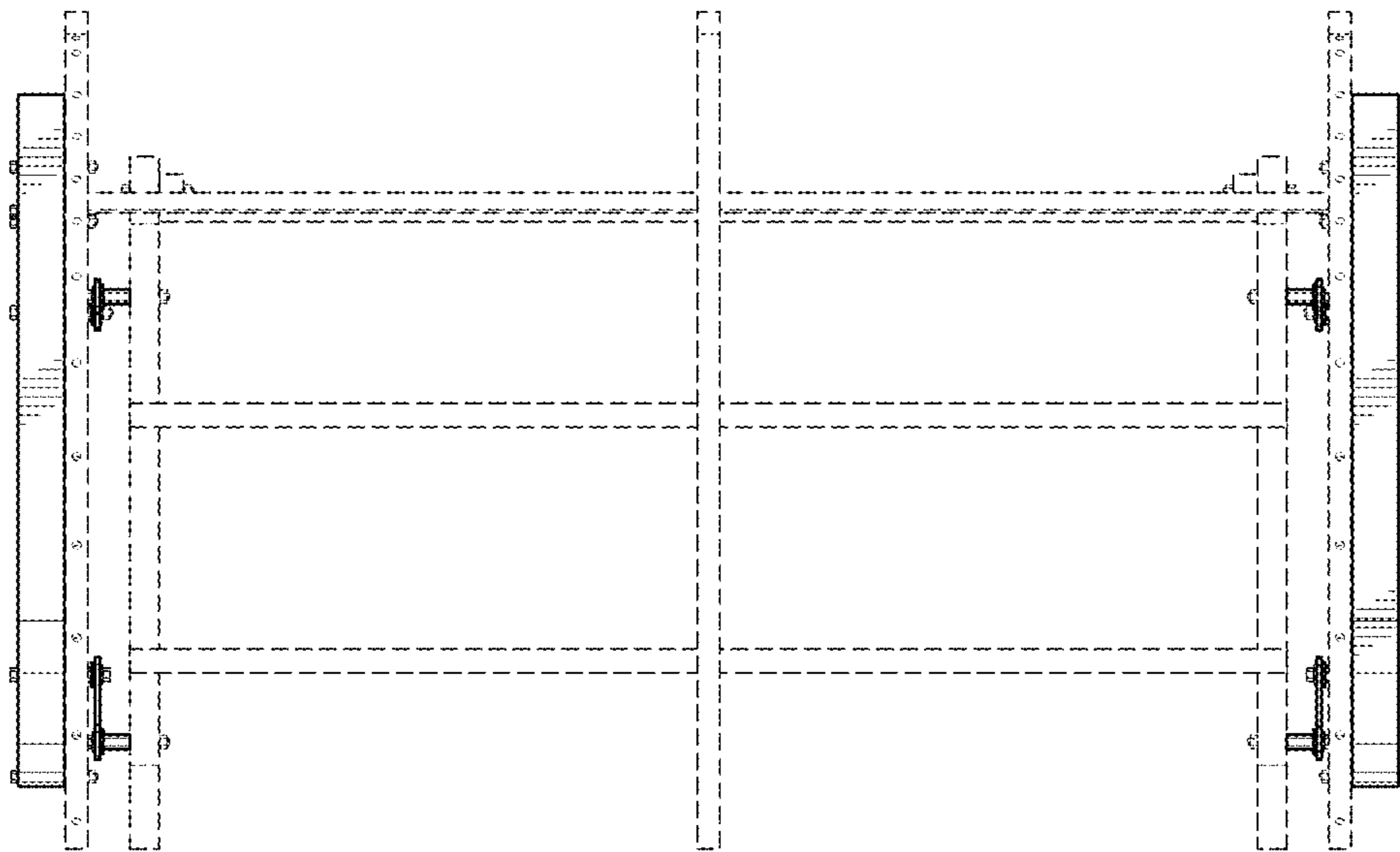


FIG. 6

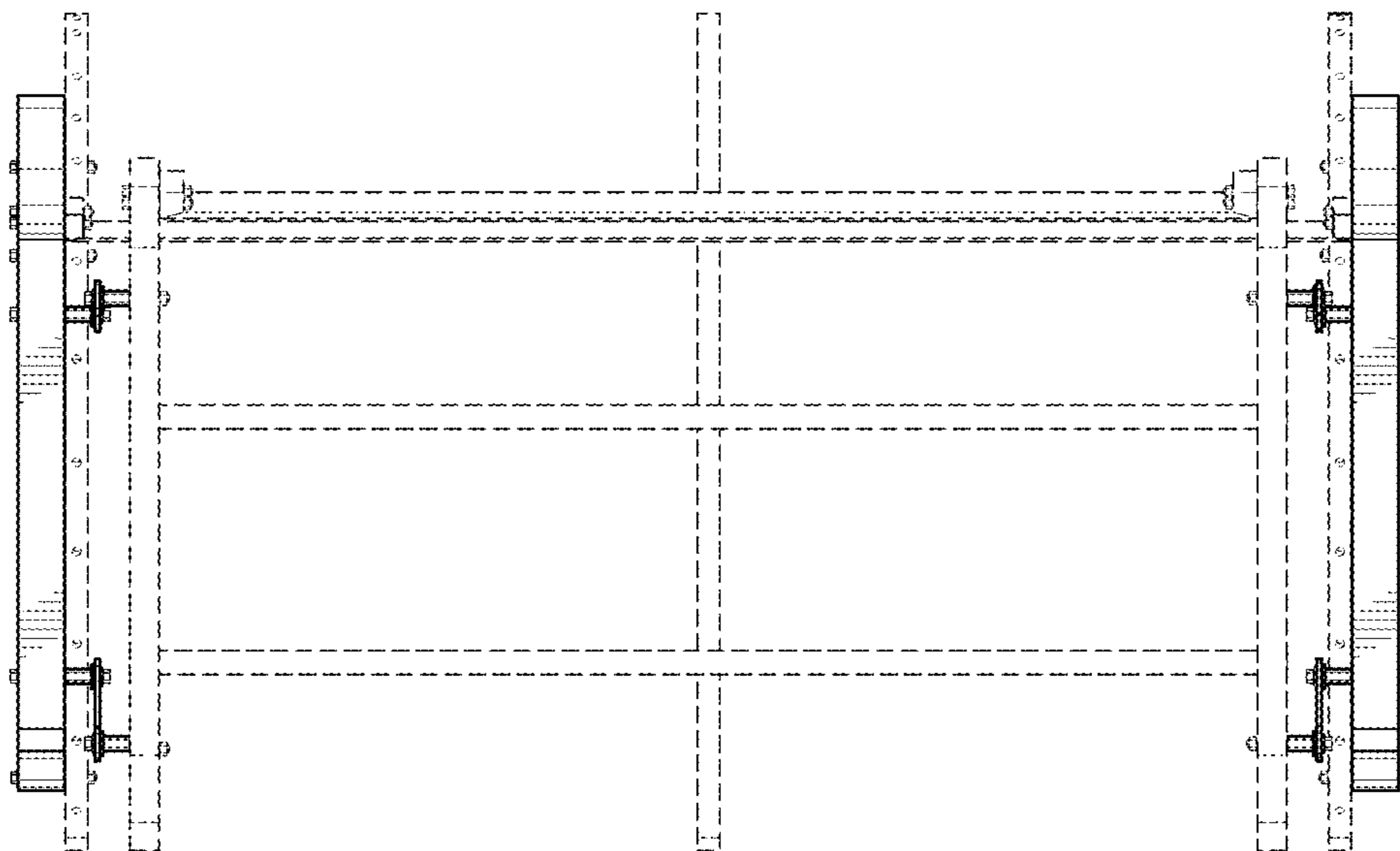


FIG. 7