



US00D819380S

(12) **United States Design Patent**  
**Chavarria**

(10) **Patent No.:** **US D819,380 S**

(45) **Date of Patent:** **\*\* Jun. 5, 2018**

- (54) **CHAIR SEAT AND BACKREST**
- (71) Applicant: **Zhuhai Shichang Metals, Ltd.**, Zhuhai (CN)
- (72) Inventor: **Juan Chavarria**, Barcelona (ES)
- (73) Assignee: **Zhuhai Shichang Metals Ltd.**, Zhuhai (CN)
- (\*\*) Term: **15 Years**
- (21) Appl. No.: **29/593,172**
- (22) Filed: **Feb. 7, 2017**
- (51) **LOC (11) Cl.** ..... **06-01**
- (52) **U.S. Cl.**  
USPC ..... **D6/716; D6/375**
- (58) **Field of Classification Search**  
USPC ..... D6/334-336, 371, 372, 373, 374, 375, D6/376, 379, 716, 716.1, 716.2, 716.3, D6/716.4  
CPC .... A47C 3/04; A47C 4/02; A47C 4/03; A47C 3/12; A47C 5/04; A47C 5/12; A47C 7/16  
See application file for complete search history.

- D728,959 S \* 5/2015 Lievore ..... D6/375
- D729,538 S \* 5/2015 Kotilainen ..... D6/375
- D743,180 S \* 11/2015 Mehaffey ..... D6/375
- D771,964 S \* 11/2016 Chen ..... D6/376
- D771,988 S \* 11/2016 Schweikarth ..... D6/716
- D805,315 S \* 12/2017 Leong ..... D6/375

\* cited by examiner

*Primary Examiner* — Mimoso De

(74) *Attorney, Agent, or Firm* — Luedeka Neely Group PC

(57) **CLAIM**

The ornamental design for a chair seat and backrest, as shown and described.

**DESCRIPTION**

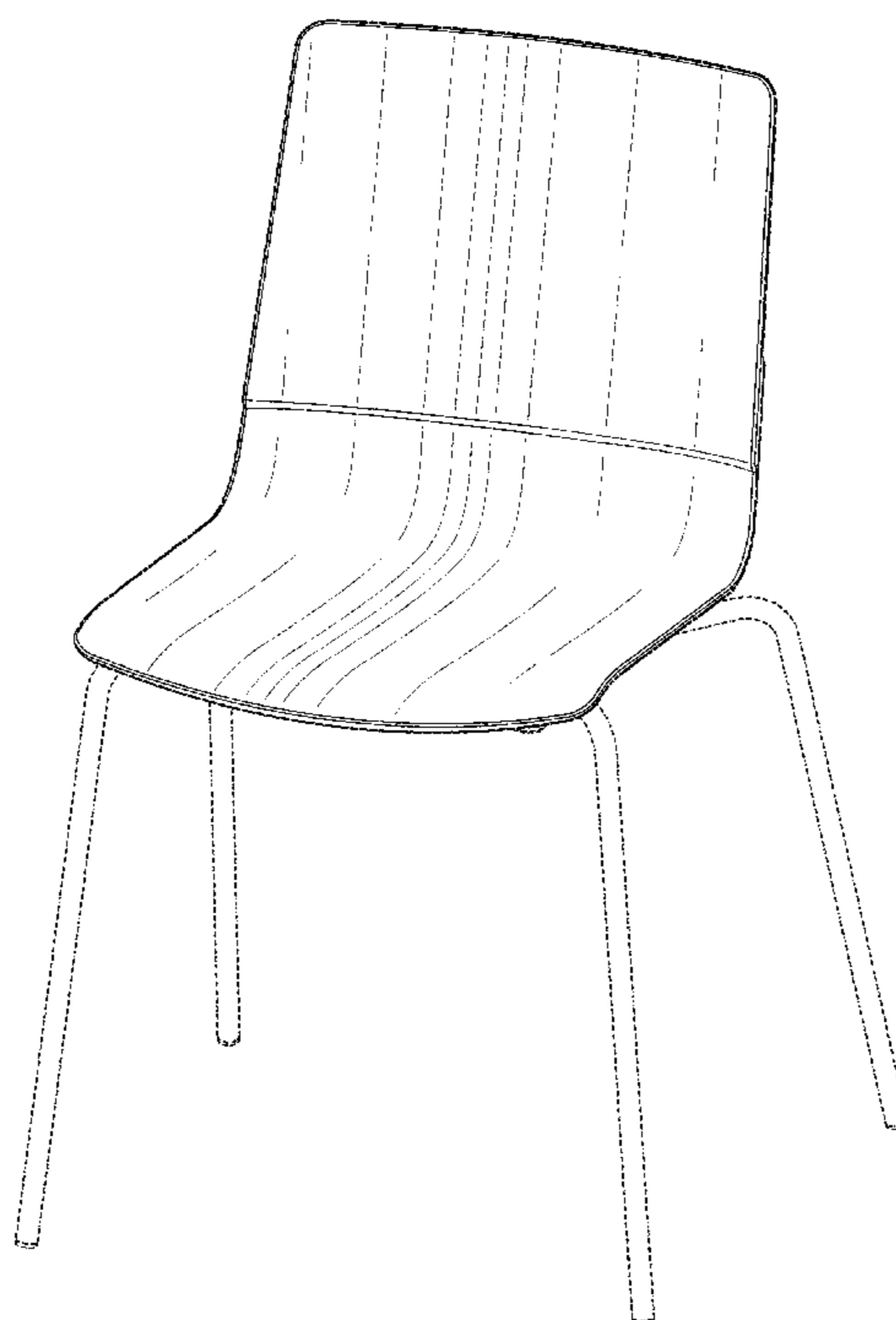
FIG. 1 is a top perspective view of the chair seat and backrest;  
 FIG. 2 is a bottom perspective view of the chair seat and backrest;  
 FIG. 3 is a right side elevation view of the chair seat and backrest;  
 FIG. 4 is a left side elevation view of the chair seat and backrest;  
 FIG. 5 is a front elevation view of the chair seat and backrest;  
 FIG. 6 is a rear elevation view of the chair seat and backrest;  
 FIG. 7 is a top plan view of the chair seat and backrest; and,  
 FIG. 8 is a bottom plan view of the chair seat and backrest.  
 The broken lines shown in the figures are included for the purpose of illustrating environment only and form no part of the claimed design.

**1 Claim, 8 Drawing Sheets**

(56) **References Cited**

**U.S. PATENT DOCUMENTS**

- D600,035 S \* 9/2009 Olano Jauregui ..... D6/375
- D663,132 S \* 7/2012 Morrison ..... D6/375
- D665,593 S \* 8/2012 Morrison ..... D6/375
- D690,147 S \* 9/2013 Meyer ..... D6/716
- D715,569 S \* 10/2014 Laub ..... D6/375
- D715,570 S \* 10/2014 Laub ..... D6/375
- D715,572 S \* 10/2014 Laub ..... D6/375



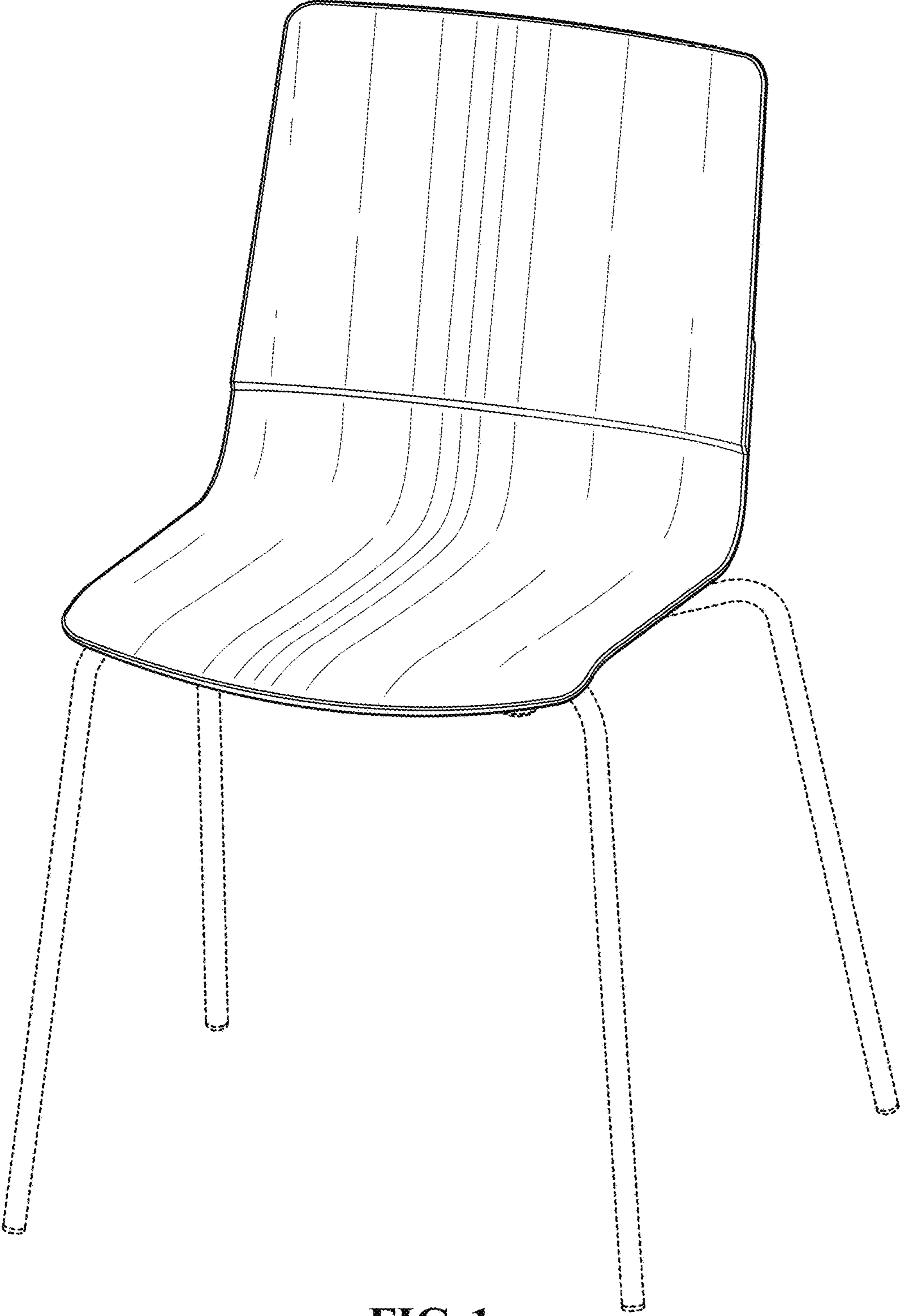


FIG. 1

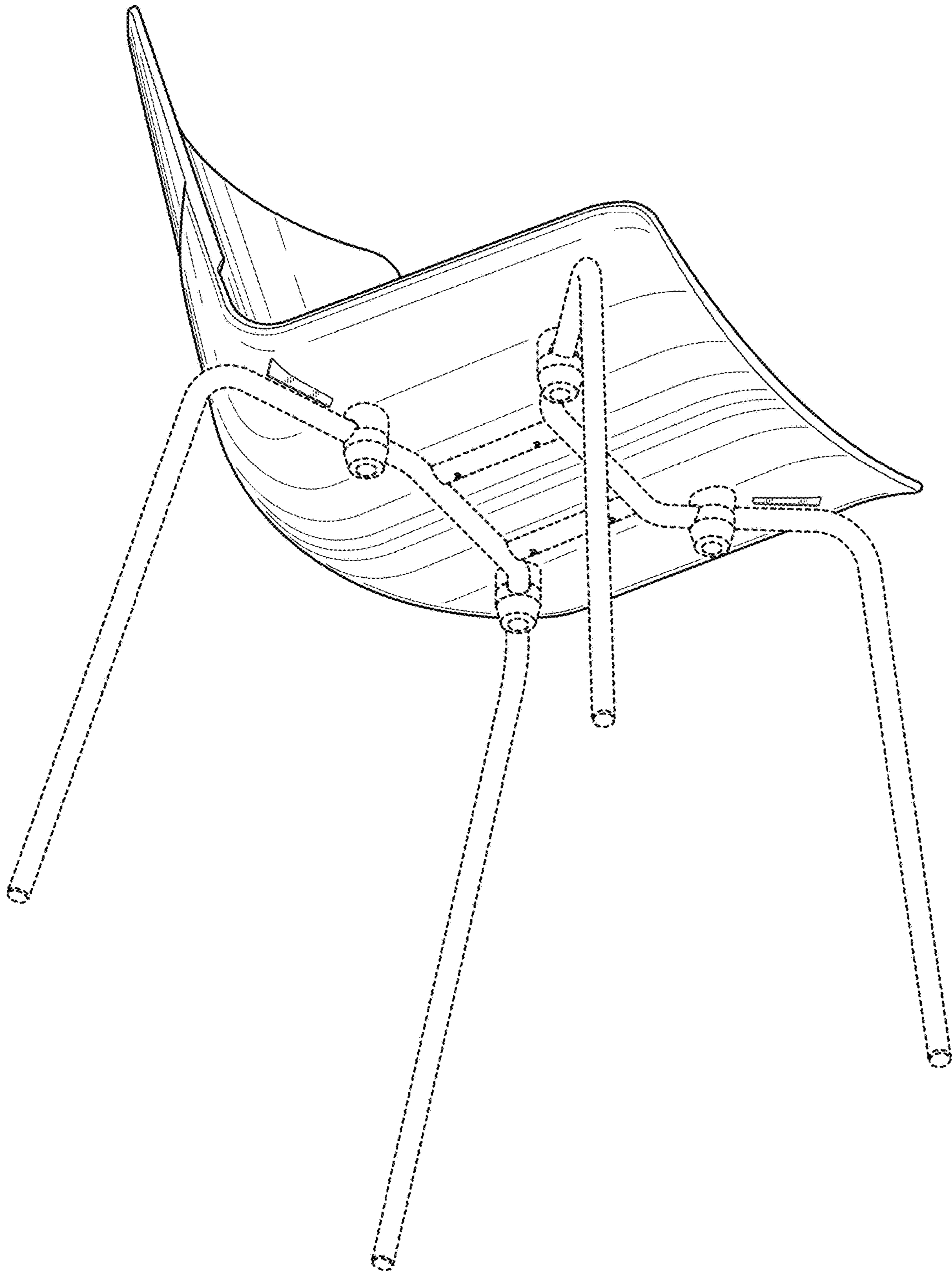


FIG. 2

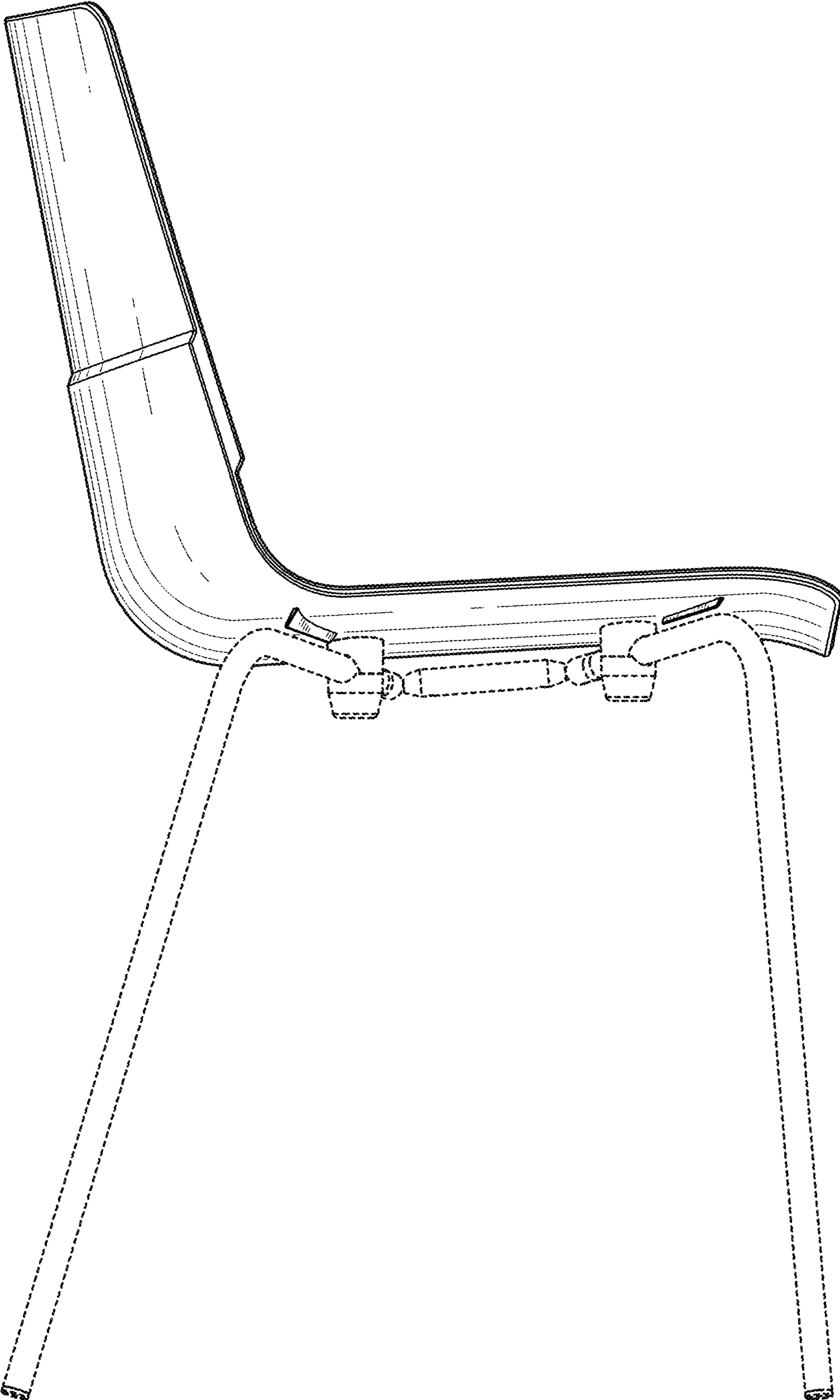


FIG. 3

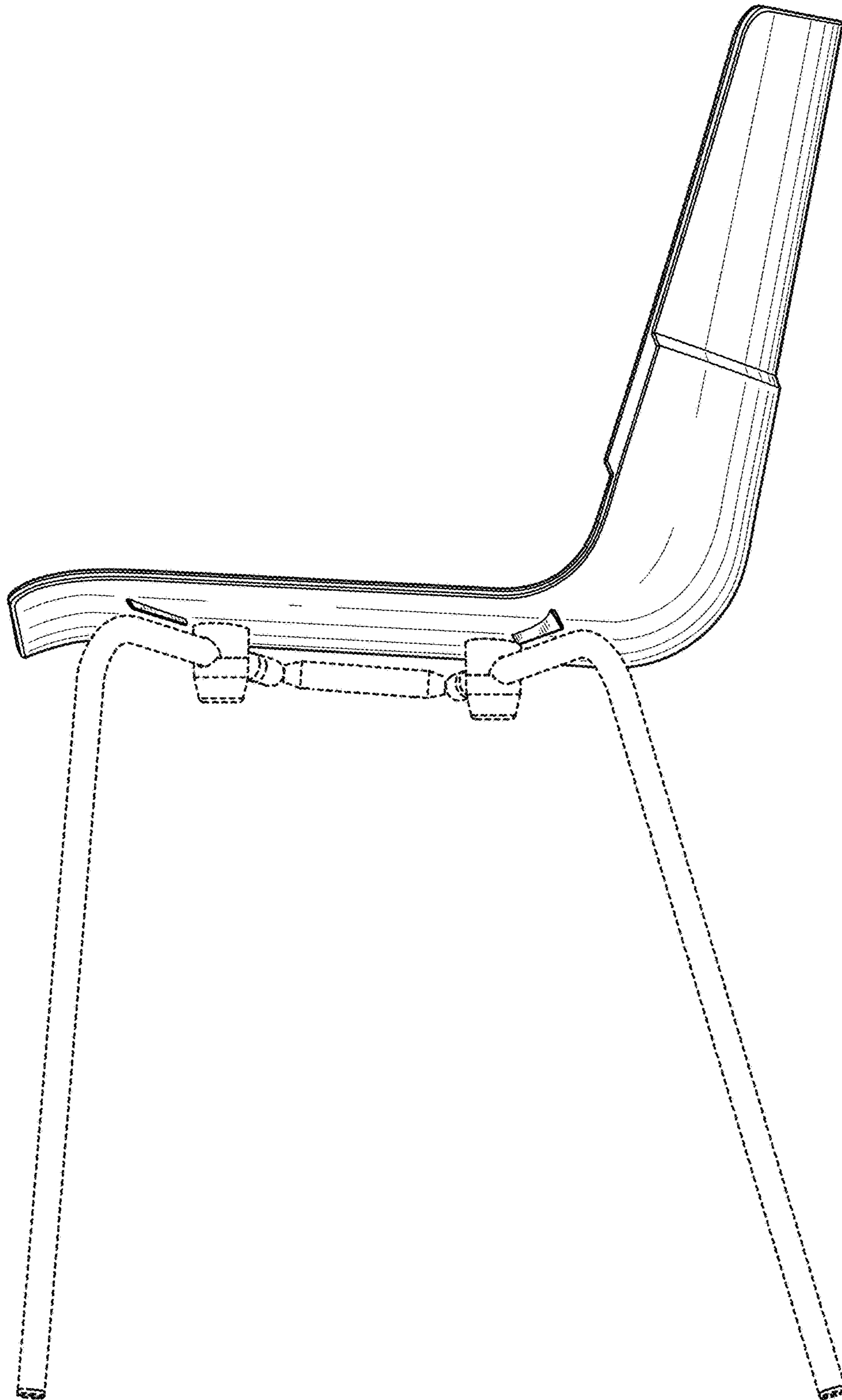


FIG. 4



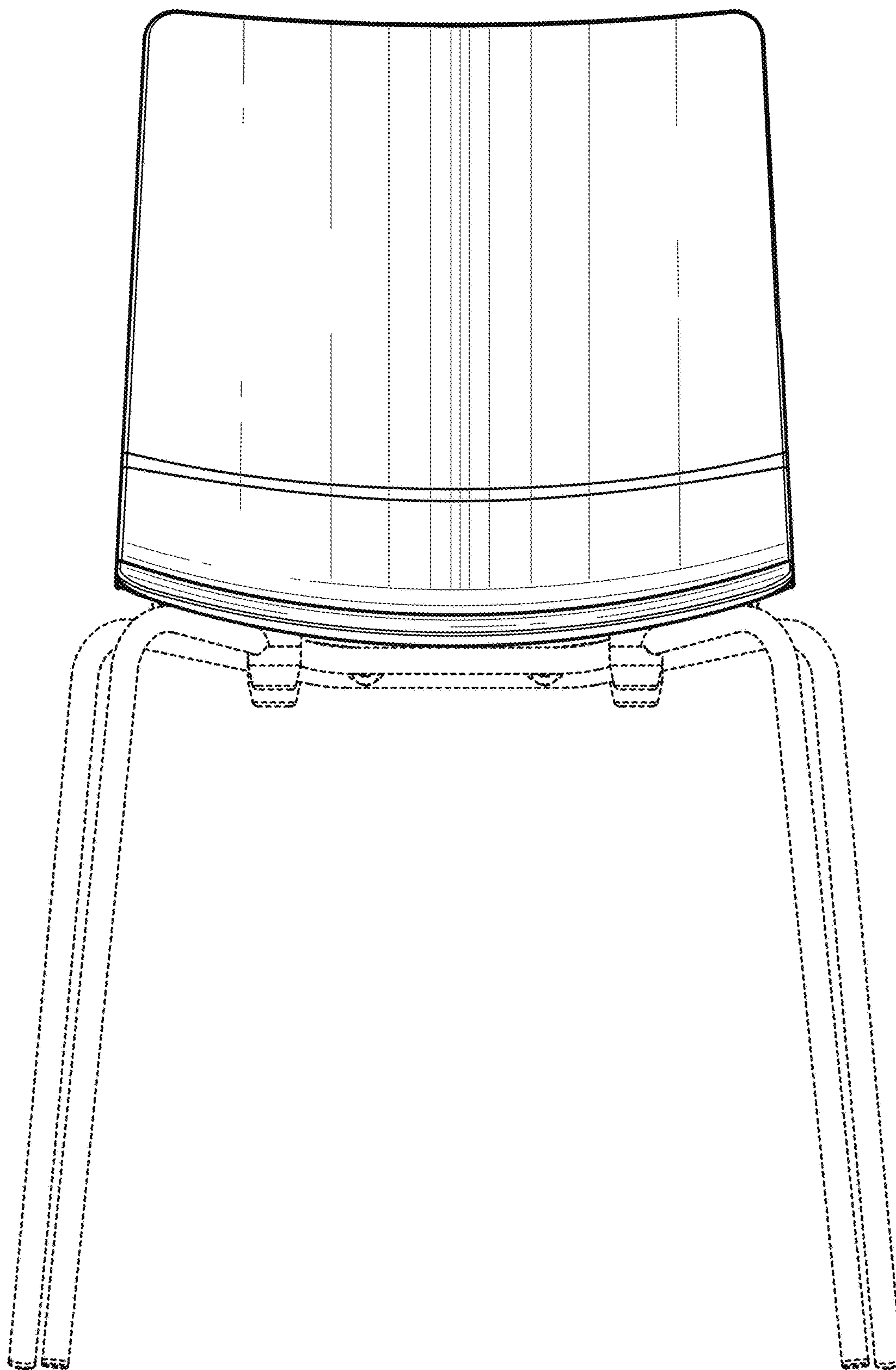


FIG. 5

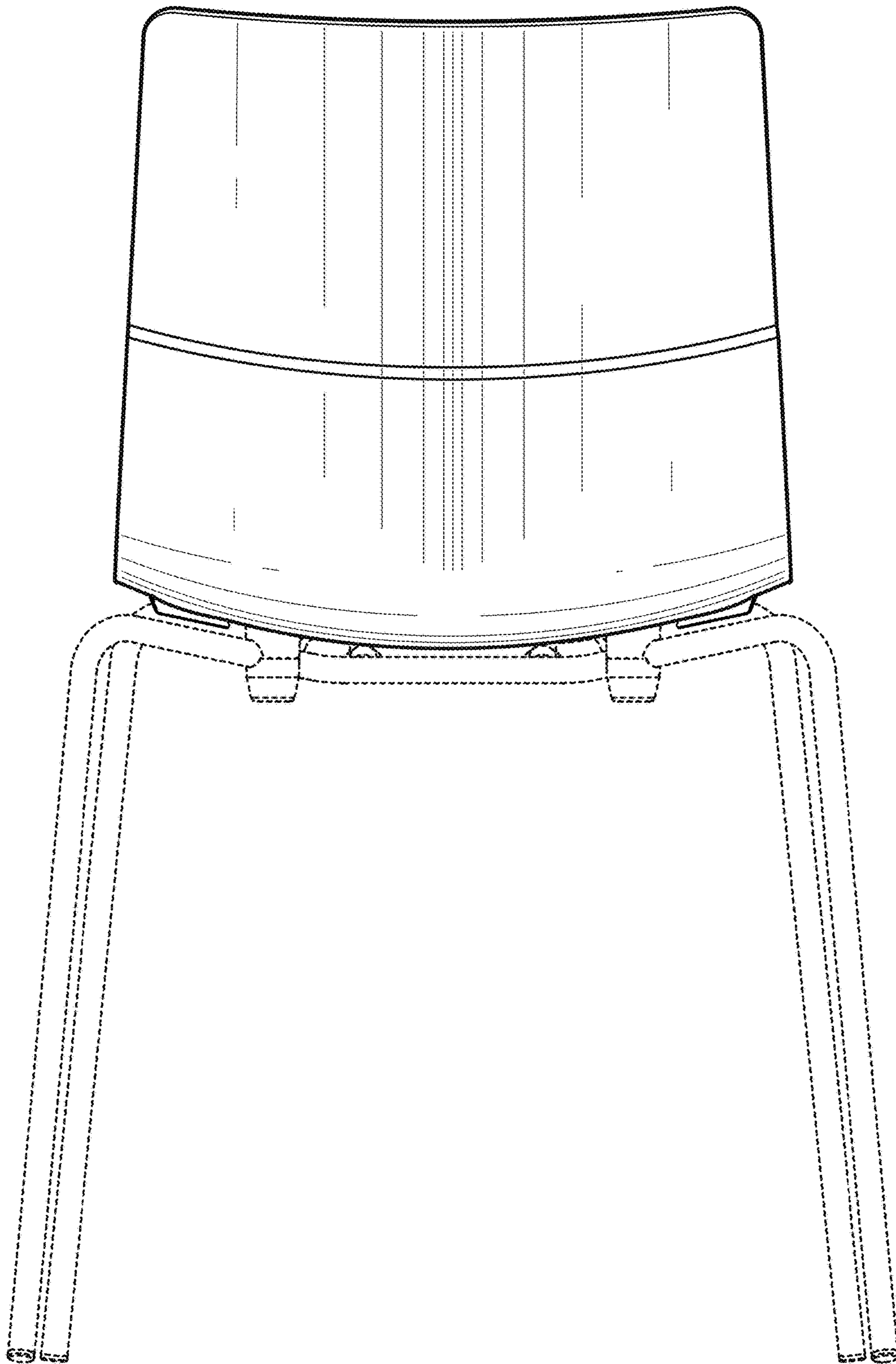


FIG. 6

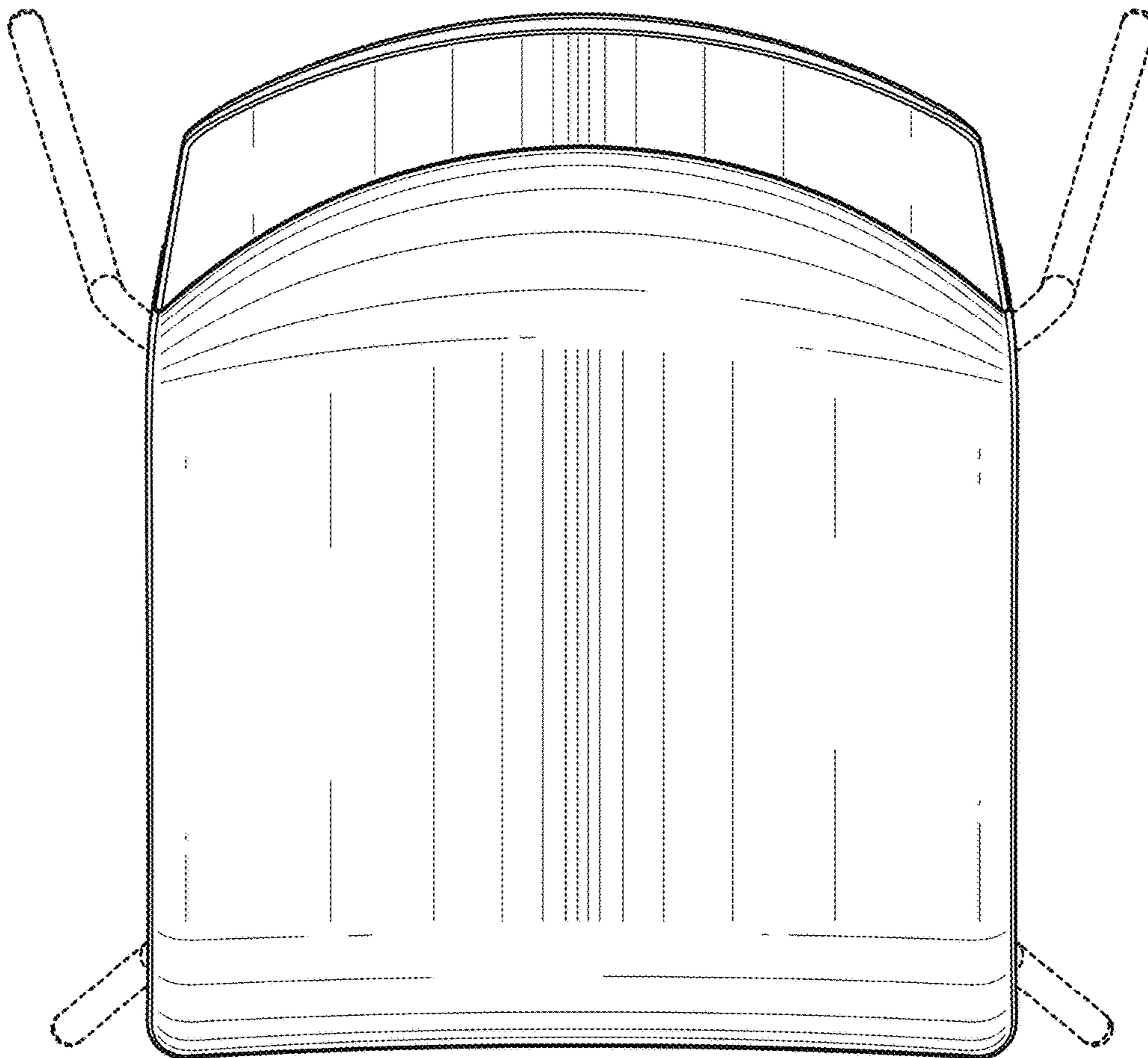


FIG. 7



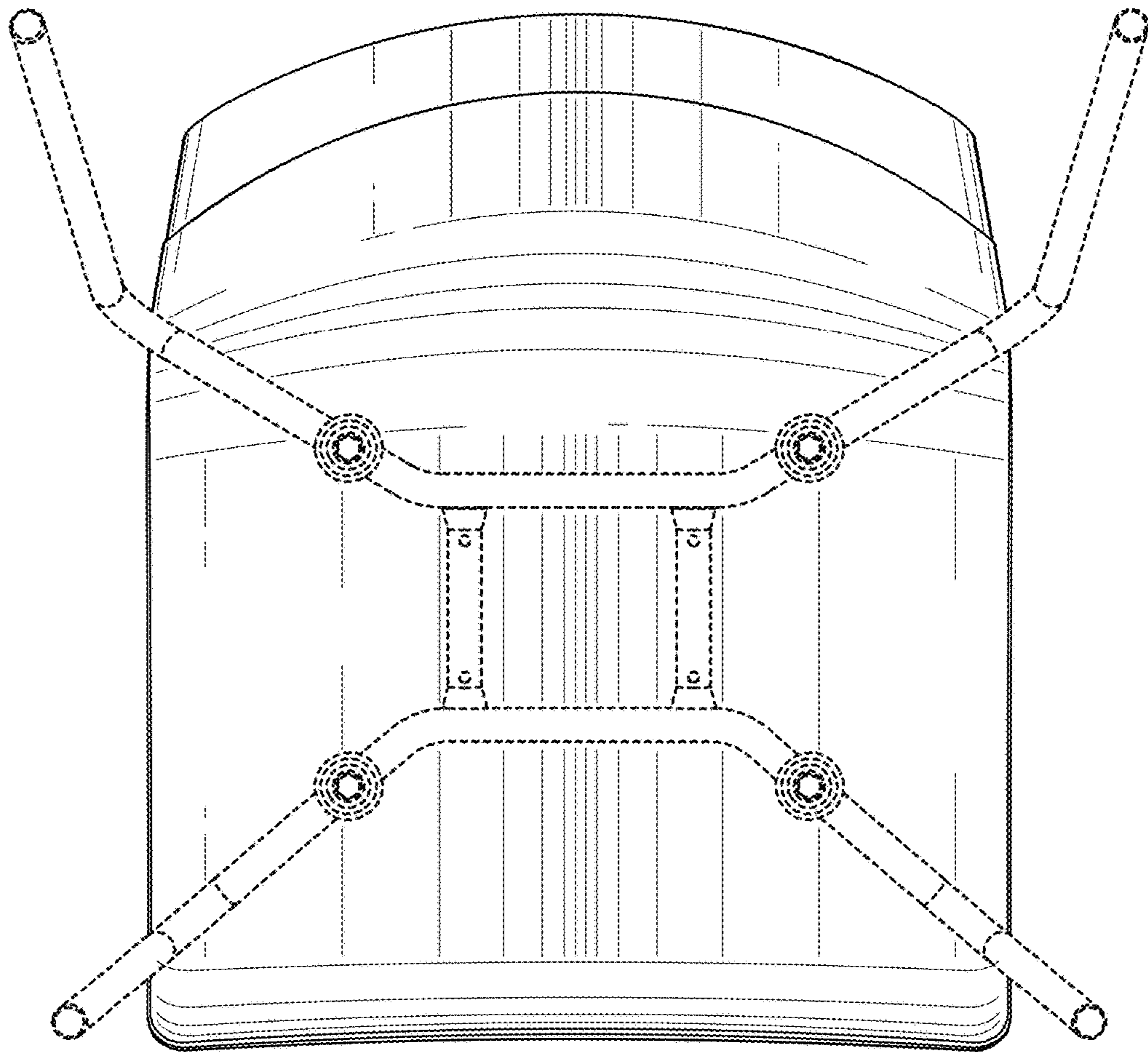


FIG. 8