



US00D819379S

(12) **United States Design Patent**
Brattoli

(10) **Patent No.:** **US D819,379 S**
(45) **Date of Patent:** **** Jun. 5, 2018**

- (54) **FOOD CONTAINER TRAY RACK**
- (71) Applicant: **CAMBRO MANUFACTURING COMPANY**, Huntington Beach, CA (US)
- (72) Inventor: **Pietro Brattoli**, Neckartenzlingen (DE)
- (73) Assignee: **Cambro Manufacturing Company**, Huntington Beach, CA (US)
- (**) Term: **15 Years**
- (21) Appl. No.: **29/597,265**
- (22) Filed: **Mar. 15, 2017**
- (51) **LOC (11) Cl.** **06-06**
- (52) **U.S. Cl.**
USPC **D6/712**
- (58) **Field of Classification Search**
USPC D6/675.1, 705, 705.6, 707.19, 712;
211/34, 49.1, 85.26, 134; D3/304, 315,
D3/317
CPC A47B 43/00; A47B 47/021; A47B 47/02;
A47B 47/05; A47B 57/06; A47B 57/36;
A47B 96/00; A47B 96/14; A47B 96/06
See application file for complete search history.

(56) **References Cited**

U.S. PATENT DOCUMENTS

- 3,948,581 A * 4/1976 Helman A47B 47/05
108/187
- 4,034,682 A * 7/1977 Bizinover A47B 47/021
108/107
- D247,184 S * 2/1978 Clement D25/132
- 4,444,322 A * 4/1984 Lee A47F 5/13
108/180
- D347,343 S * 5/1994 Von Gunten D6/712
- 5,433,046 A * 7/1995 MacQuarrie E04B 2/7422
52/238.1
- D371,026 S * 6/1996 Hendler D6/712

- 6,029,833 A * 2/2000 Yeh A47F 5/0838
108/108
- 6,427,855 B2 * 8/2002 LaBruna, Jr. A47F 5/103
211/187
- D466,331 S * 12/2002 Chang D6/681.1
- D470,685 S * 2/2003 Chang D6/681.1
- 6,561,366 B2 * 5/2003 Kim-So A47F 5/10
211/189
- 6,669,037 B1 * 12/2003 Ahn A47F 5/137
211/189
- D533,738 S * 12/2006 Berg D20/39
- D571,130 S * 6/2008 Clark D6/702
- D601,833 S * 10/2009 Stukenberg D6/702
- D602,713 S * 10/2009 Stukenberg D6/681.1
- 8,959,813 B2 * 2/2015 Denby A47F 5/10
211/175
- D735,412 S * 7/2015 Coleman D28/54
- 9,119,487 B2 * 9/2015 Angvall A47F 5/0081

(Continued)

Primary Examiner — Kelly Donnelly

(74) *Attorney, Agent, or Firm* — George F. Bethel

(57) **CLAIM**

I claim the ornamental design for a food container tray rack, as shown and described.

DESCRIPTION

FIG. 1 is a left side frontal perspective view of the food container tray rack.

FIG. 2 is a front elevation view thereof.

FIG. 3 is a top plan view thereof.

FIG. 4 is a bottom plan view thereof.

FIG. 5 is a right side elevation view thereof.

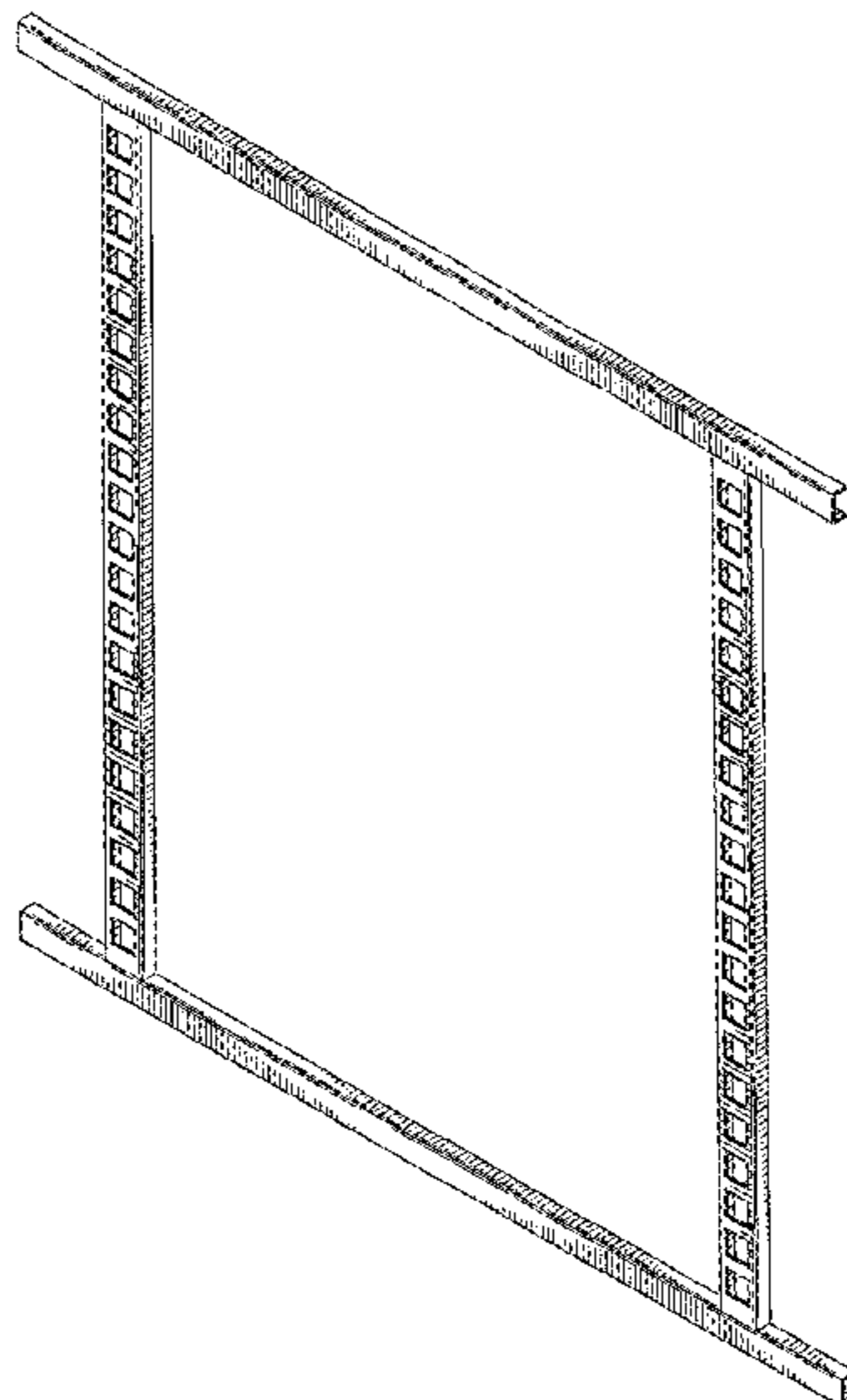
FIG. 6 is a left side elevation view thereof.

FIG. 7 is a rear elevation view thereof; and,

FIG. 8 is a perspective view of the food container tray rack in use in a food container with trays supported on rails attached to the rack.

The broken lines depict environmental subject matter only and form no part of the claimed design.

1 Claim, 4 Drawing Sheets



(56)

References Cited

U.S. PATENT DOCUMENTS

D760,514 S * 7/2016 Niedermeyer D20/10
D788,501 S * 6/2017 Clark D6/675
D798,640 S * 10/2017 Anderson D6/712
2018/0042378 A1* 2/2018 Kilburn A47B 96/067
2018/0064247 A1* 3/2018 McGowan F16M 13/02

* cited by examiner

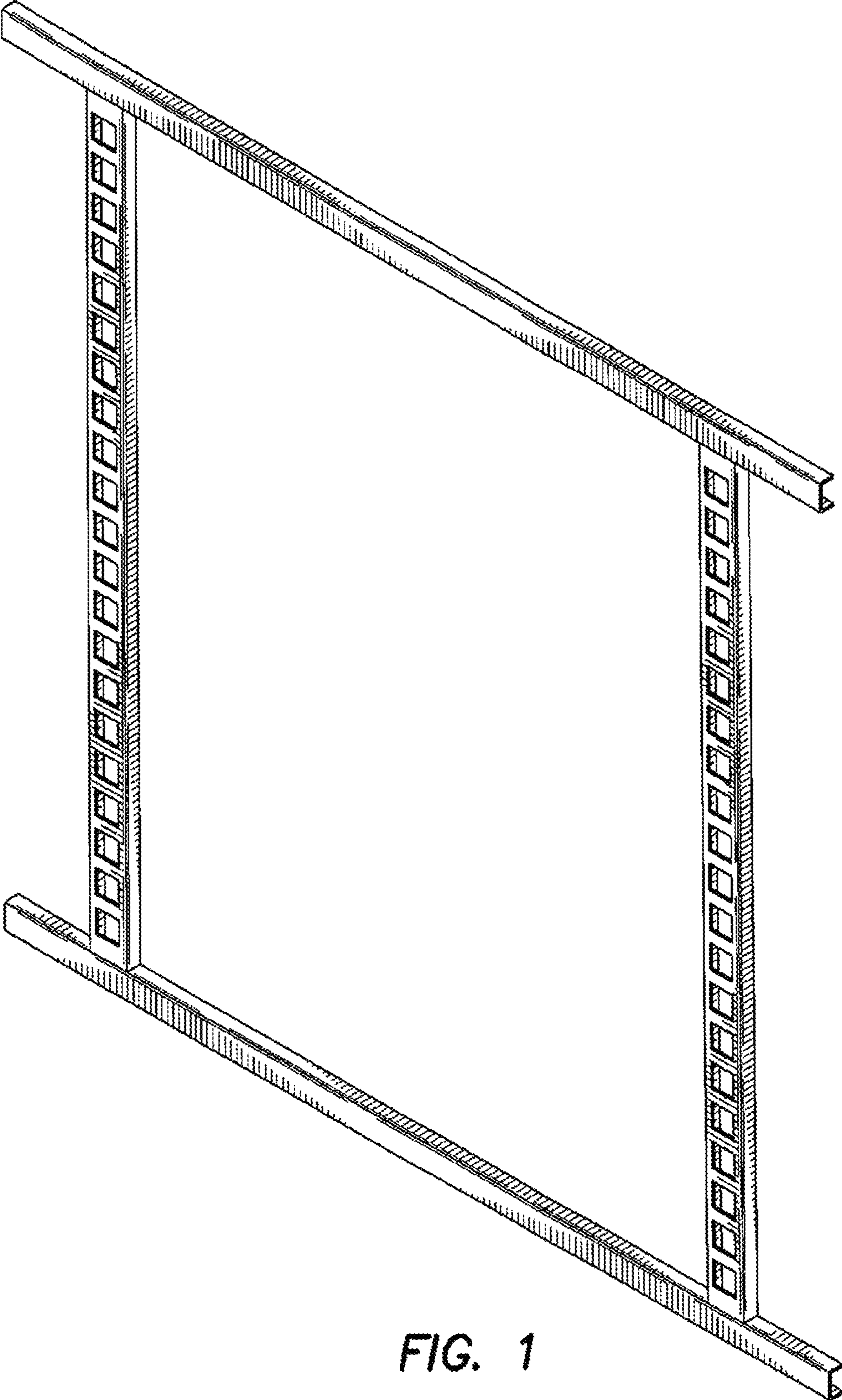


FIG. 1

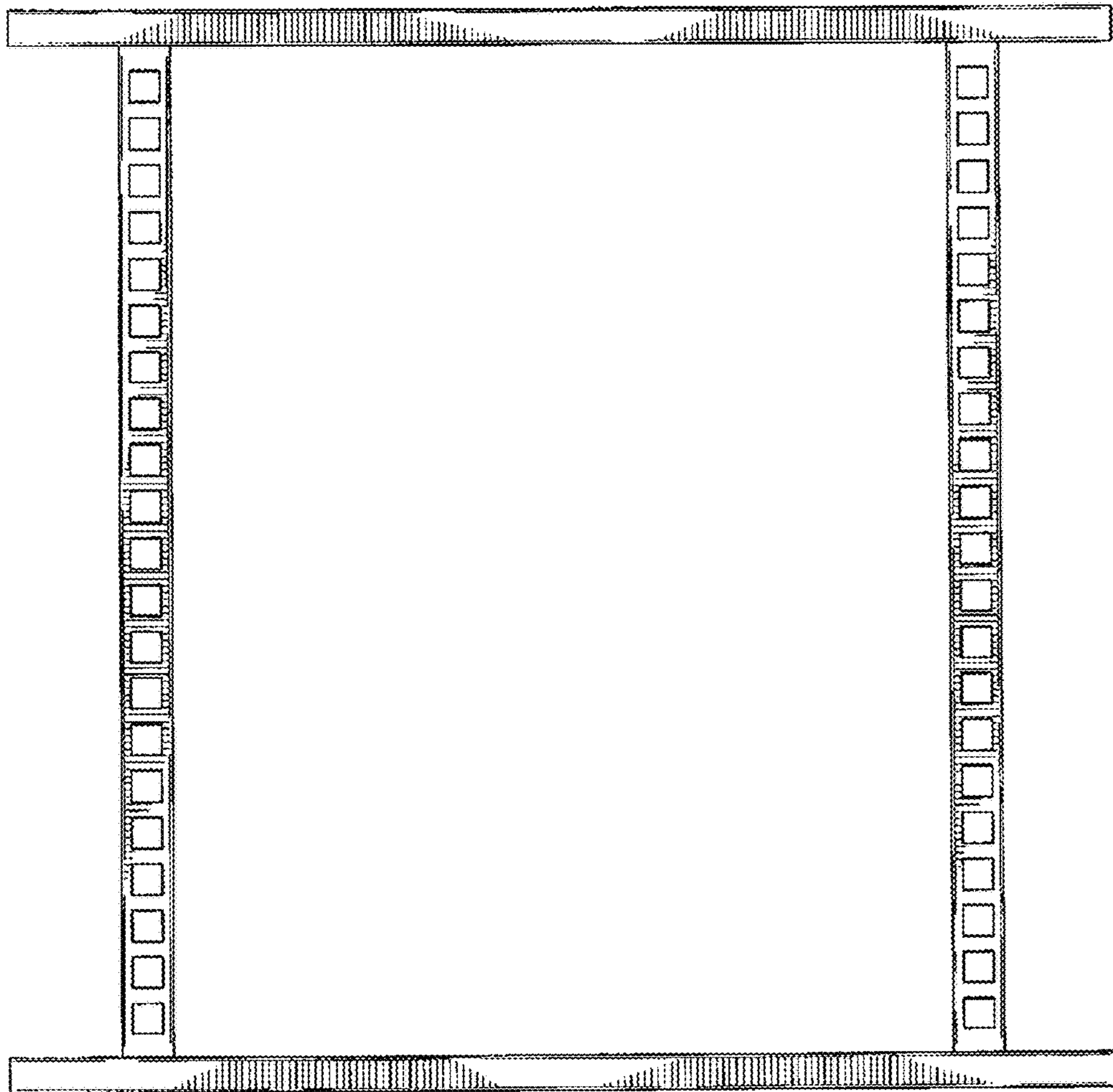


FIG. 2



FIG. 3

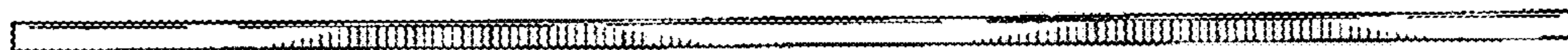


FIG. 4

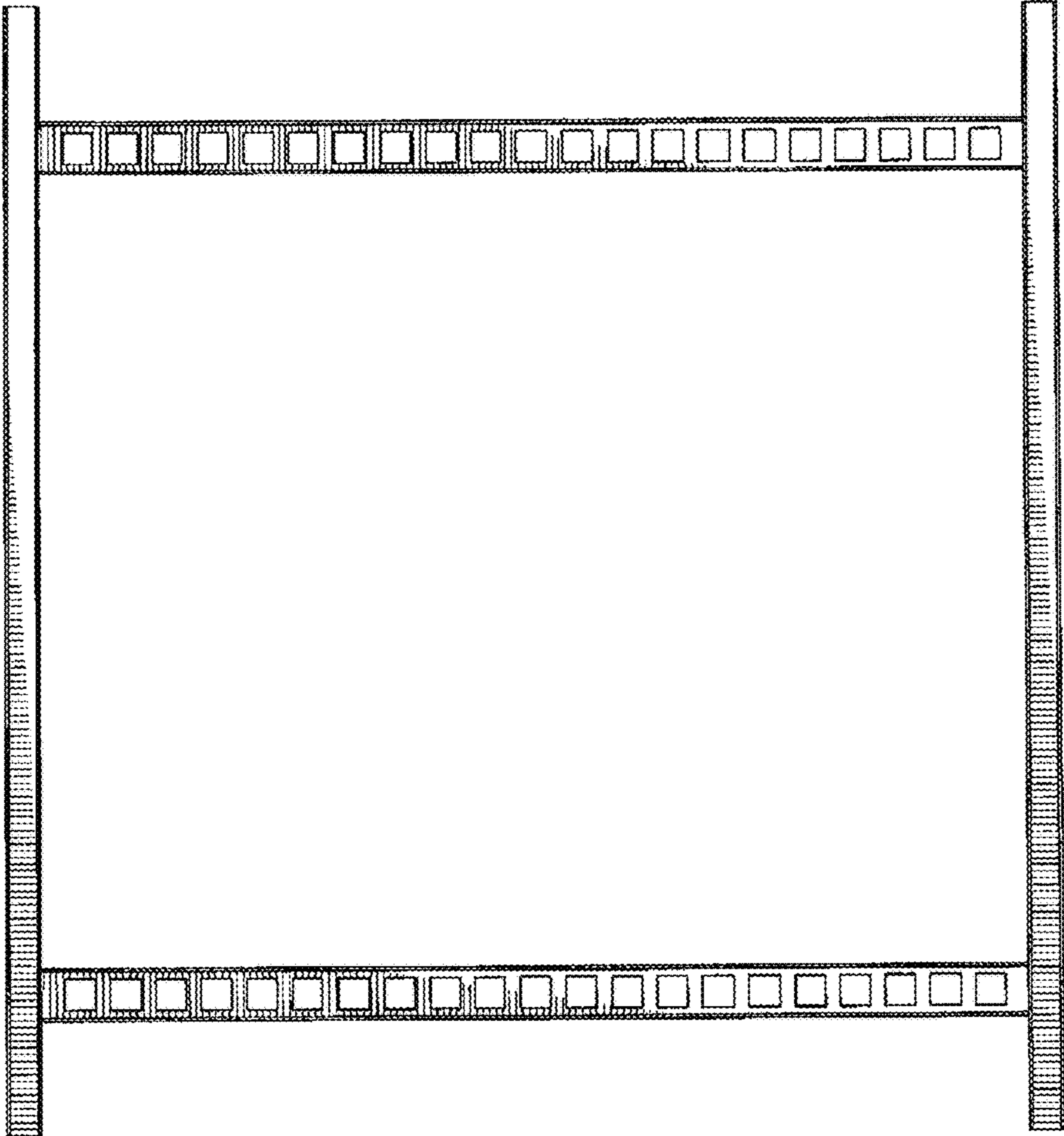


FIG. 7

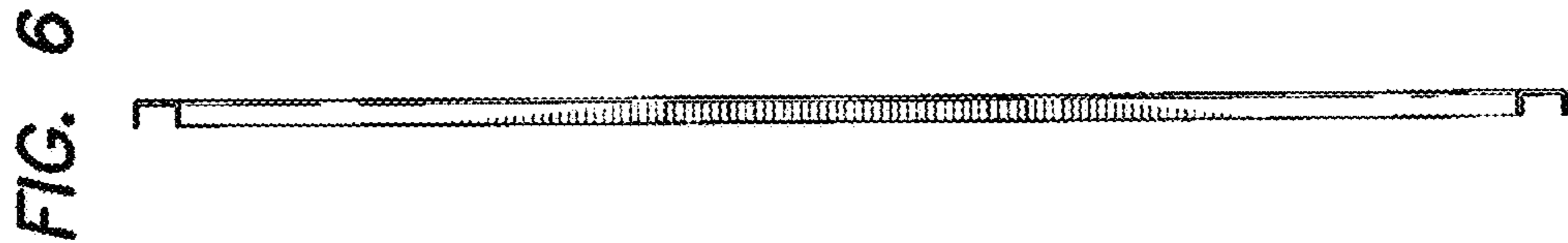


FIG. 6



FIG. 5

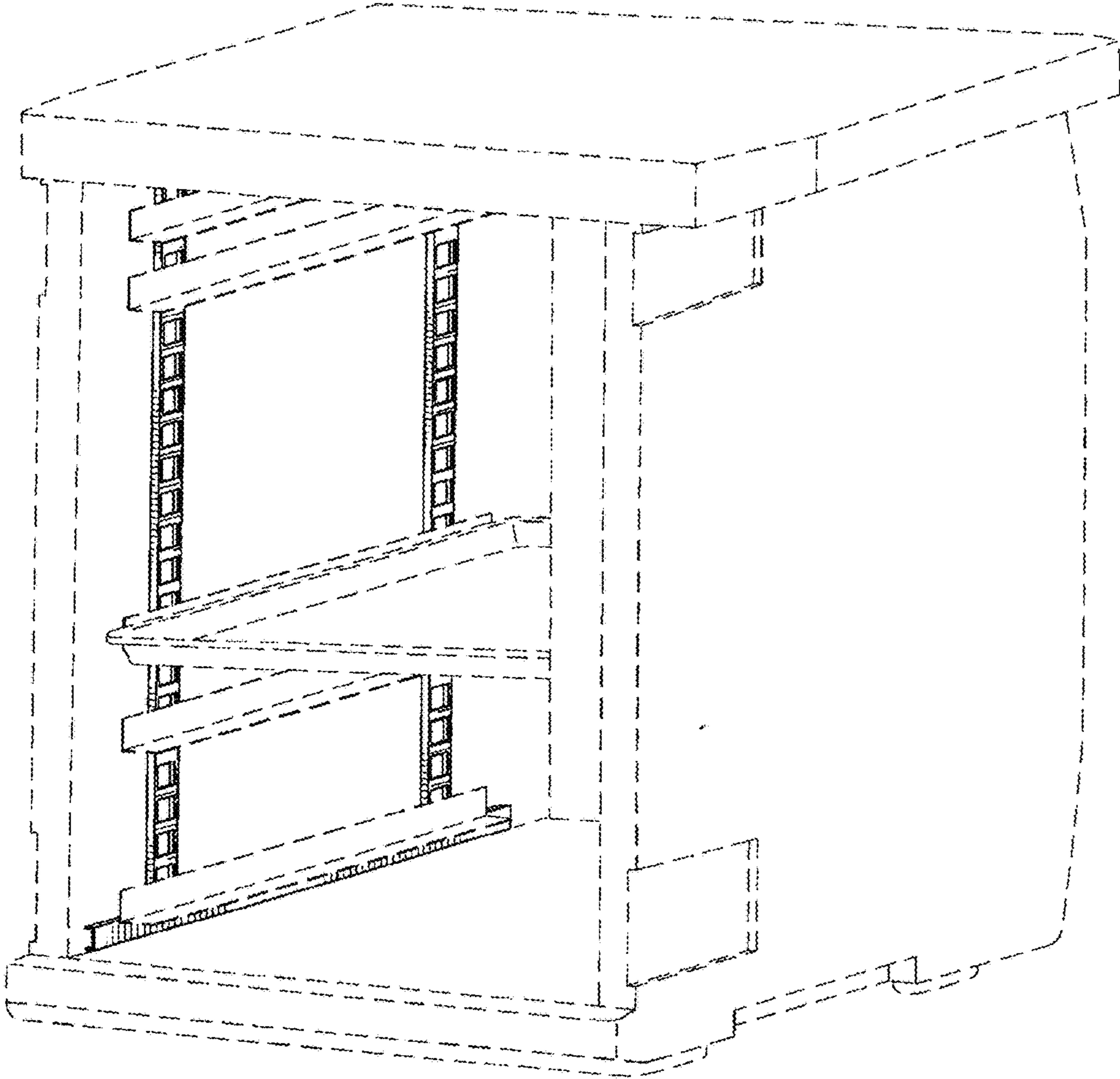


FIG. 8