



US00D819375S

(12) **United States Design Patent**
Zaccai et al.

(10) **Patent No.:** **US D819,375 S**
(45) **Date of Patent:** **** Jun. 5, 2018**

(54) **WORKSURFACE**

(71) Applicant: **Herman Miller, Inc.**, Zeeland, MI (US)

(72) Inventors: **Gianfranco Zaccai**, Needham, MA (US); **Mark Bates**, Westwood, MA (US); **Alex Broerman**, Cambridge, MA (US); **John Costello**, Wellesley, MA (US)

(73) Assignee: **HERMAN MILLER, INC.**, Zeeland, MI (US)

(**) Term: **15 Years**

(21) Appl. No.: **29/540,575**

(22) Filed: **Sep. 25, 2015**

(51) **LOC (11) Cl.** **06-03**

(52) **U.S. Cl.**
USPC **D6/696**

(58) **Field of Classification Search**
USPC D6/641, 644, 645, 650, 656, 685, 688, D6/688.24, 692, 693, 696, 697, 698, 707; D17/20

CPC A47B 13/10; A47B 1/02; A47B 3/083; A47B 2200/0001; A47B 13/02; A47B 13/06; A47B 13/021; A47B 2009/006
See application file for complete search history.

(56) **References Cited**

U.S. PATENT DOCUMENTS

D166,360 S *	4/1952	Shinn et al.	D6/690
D260,529 S *	9/1981	Pearse	84/322
D401,086 S *	11/1998	Hellwig	D6/650
D401,087 S *	11/1998	Hellwig	D6/696
D413,212 S *	8/1999	Dame	D6/650

(Continued)

Primary Examiner — John Windmuller

Assistant Examiner — Steven J Czyz

(74) *Attorney, Agent, or Firm* — Michael Best & Friedrich LLP

(57) **CLAIM**

We claim the ornamental design for a worksurface, as shown and described.

DESCRIPTION

FIG. 1 is a perspective view of a worksurface according to the first embodiment;

FIG. 2 is a top view of the worksurface shown in FIG. 1. FIG. 3 is a bottom view of the worksurface shown in FIG. 1.

FIG. 4 is a side view of the worksurface shown in FIG. 1, with an opposite side view being a mirror image thereof.

FIG. 5 is an end view of the worksurface shown in FIG. 1, with an opposite end view being the same.

FIG. 6 is a perspective view of a worksurface according to the second embodiment;

FIG. 7 is a top view of the worksurface shown in FIG. 6. FIG. 8 is a bottom view of the worksurface shown in FIG. 6.

FIG. 9 is a side view of the worksurface shown in FIG. 6, with an opposite side view being a mirror image thereof.

FIG. 10 is an end view of the worksurface shown in FIG. 6, with an opposite end view being the same.

FIG. 11 is a perspective view of a worksurface according to the third embodiment;

FIG. 12 is a top view of the worksurface shown in FIG. 11. FIG. 13 is a bottom view of the worksurface shown in FIG. 11.

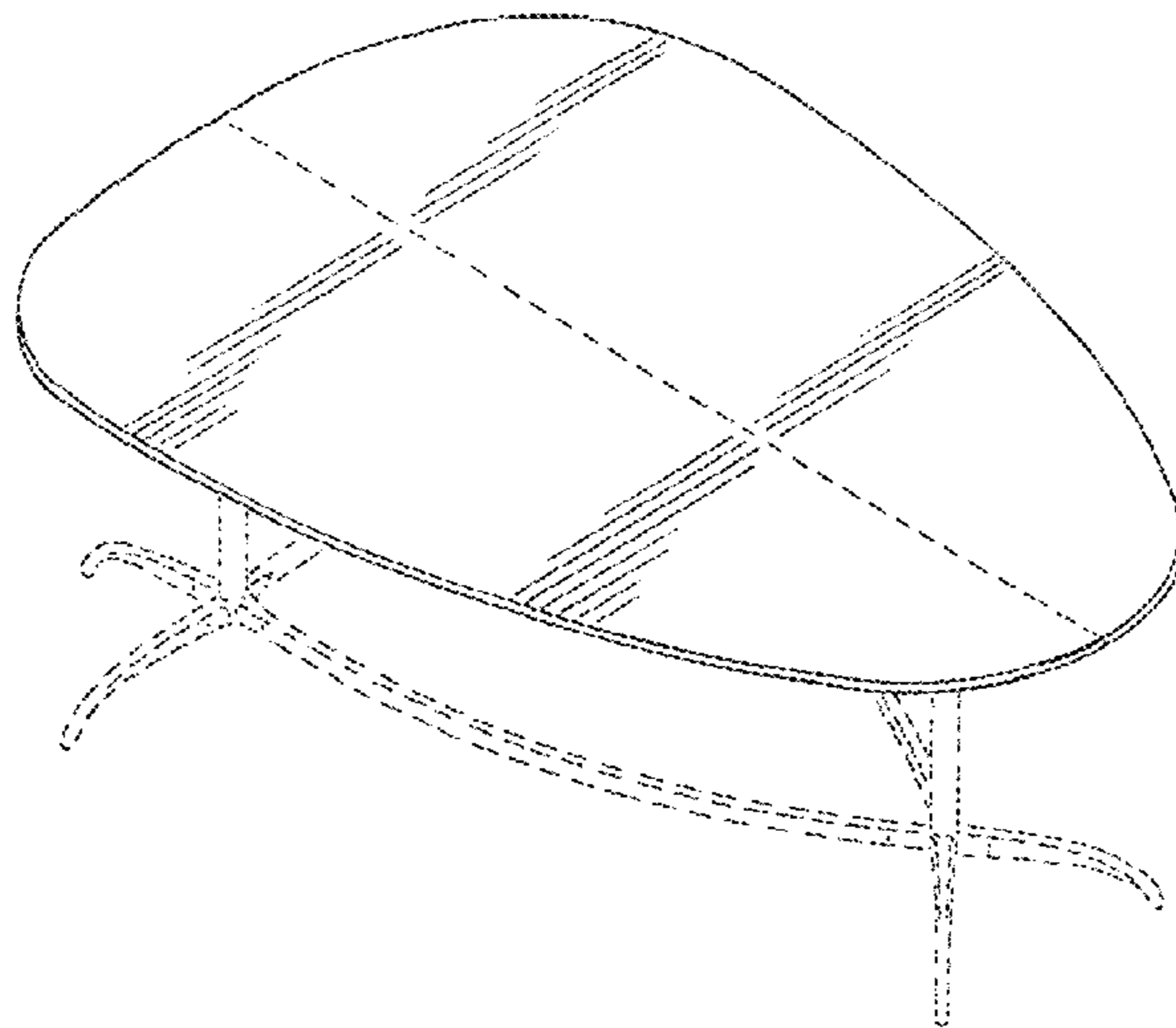
FIG. 14 is a side view of the worksurface shown in FIG. 11, with an opposite side view being a mirror image thereof;

and,

FIG. 15 is an end view of the worksurface shown in FIG. 11, with an opposite end view being the same.

The broken lines depict portions of the article that form no part of the claimed design.

1 Claim, 6 Drawing Sheets



(56)

References Cited

U.S. PATENT DOCUMENTS

D424,772	S *	5/2000	Mullen	D34/12
D443,441	S *	6/2001	Brown	D6/650
D492,858	S *	7/2004	Georgopoulos	D6/688
D541,084	S *	4/2007	Korber	D6/644
D588,671	S *	3/2009	Ball	D21/802
D592,429	S *	5/2009	Lovegrove	D6/696.3
2008/0241814	A1 *	10/2008	Seidl	A47B 13/10 434/432
2010/0277043	A1 *	11/2010	Bloch	A47B 13/081 312/195
2012/0260788	A1 *	10/2012	Leneman	G10D 3/163 84/322
2014/0007799	A1 *	1/2014	Nasseri	A47B 13/10 108/156

* cited by examiner

FIG. 1

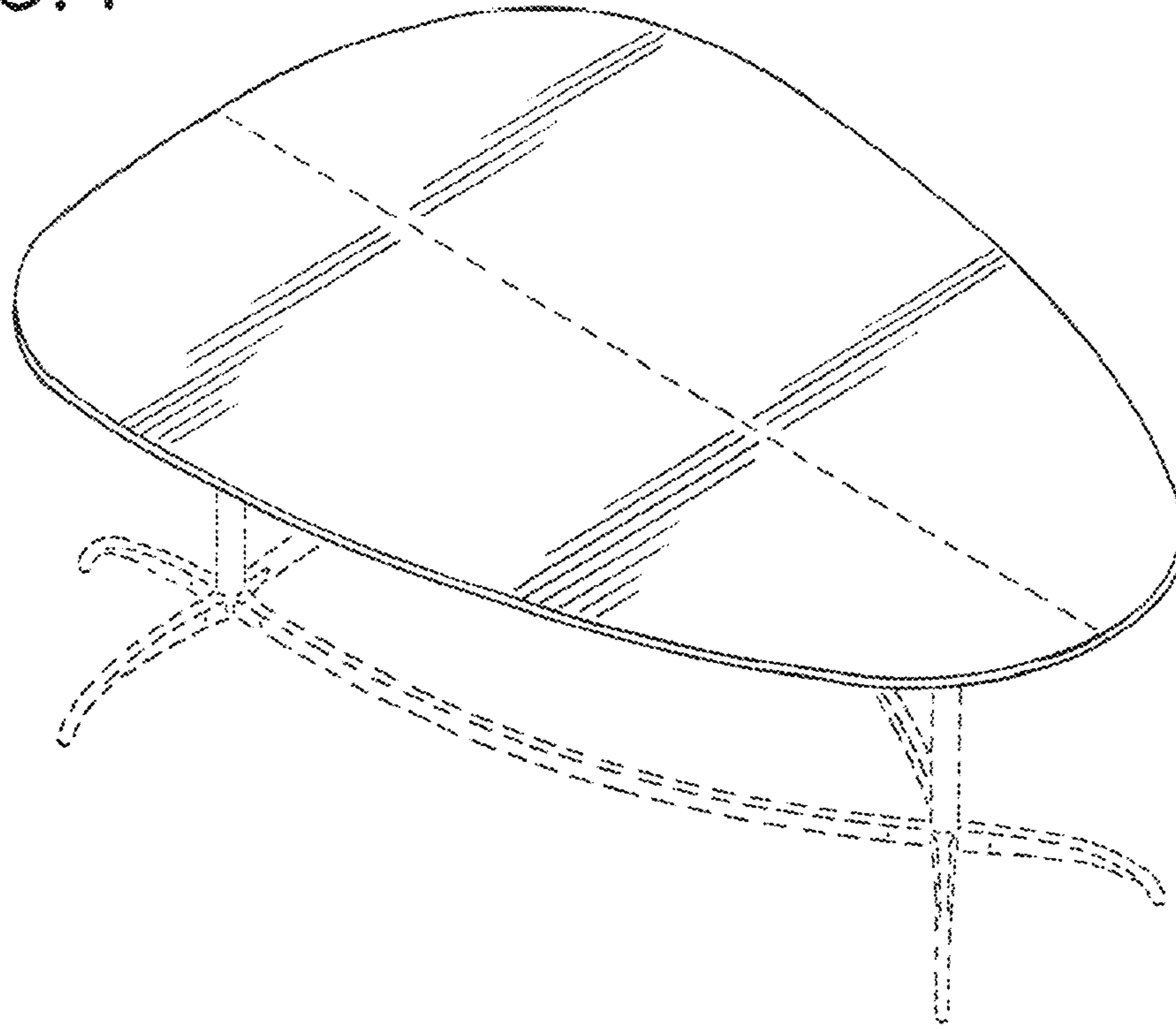


FIG. 2

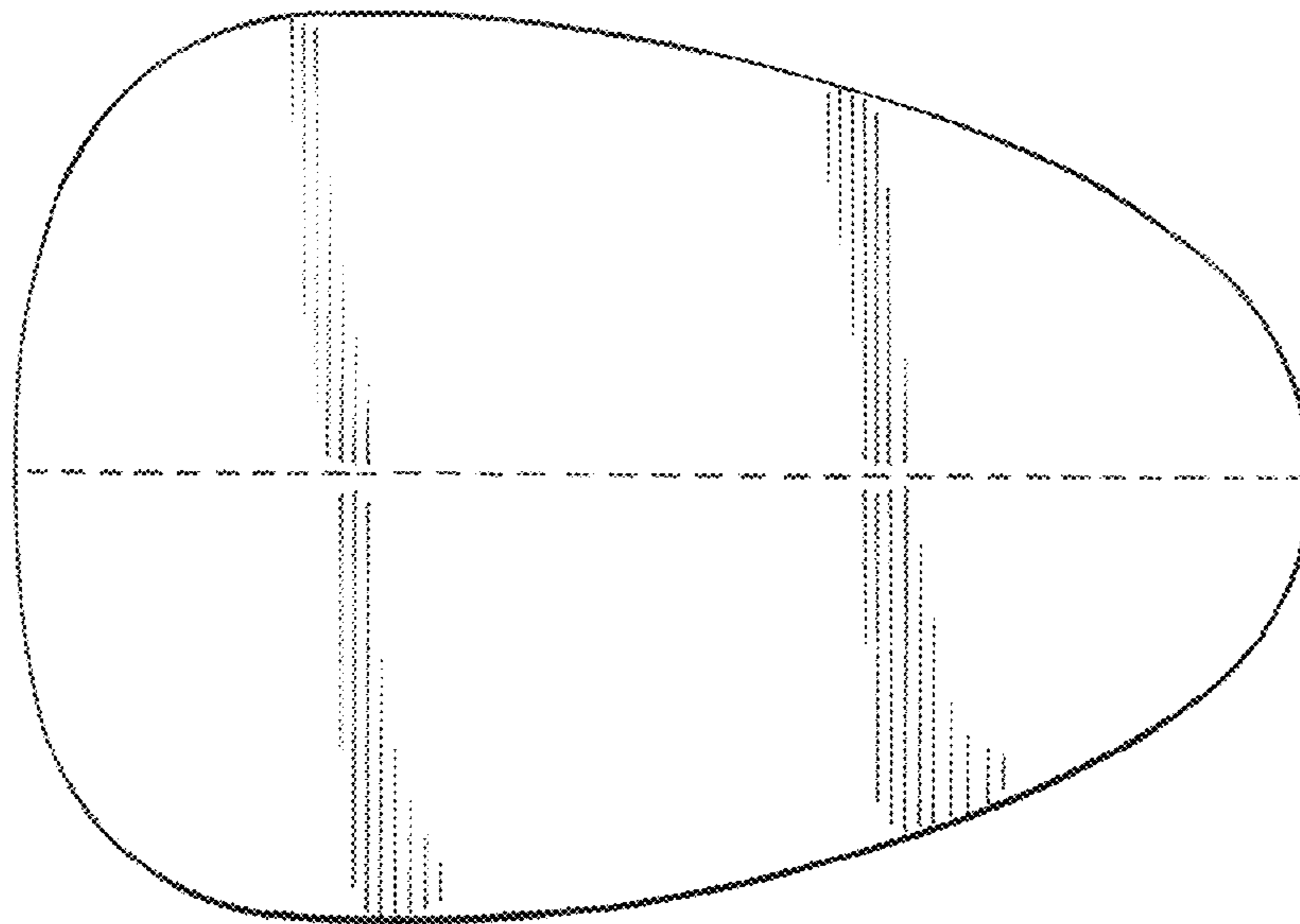


FIG. 3

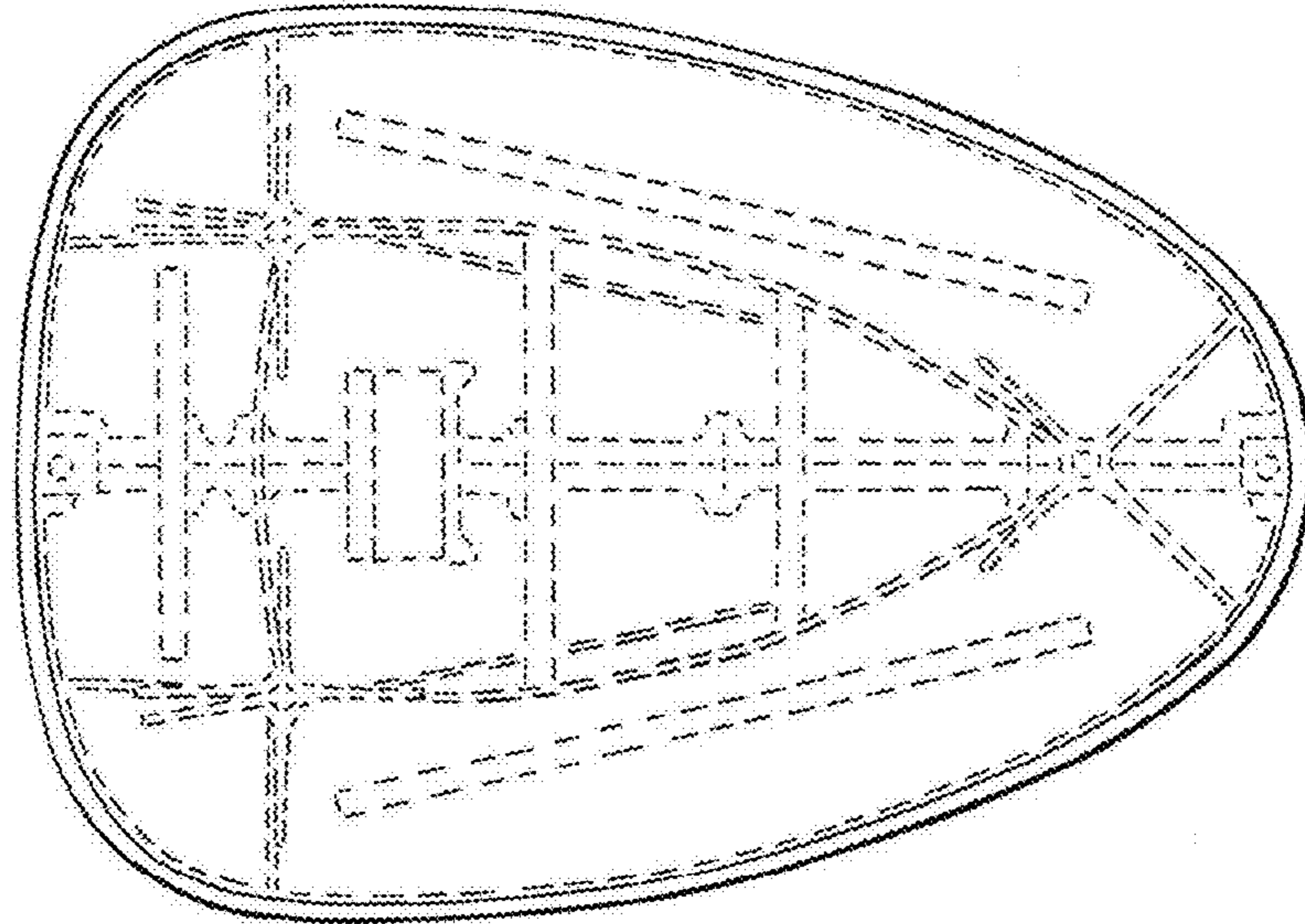


FIG. 4

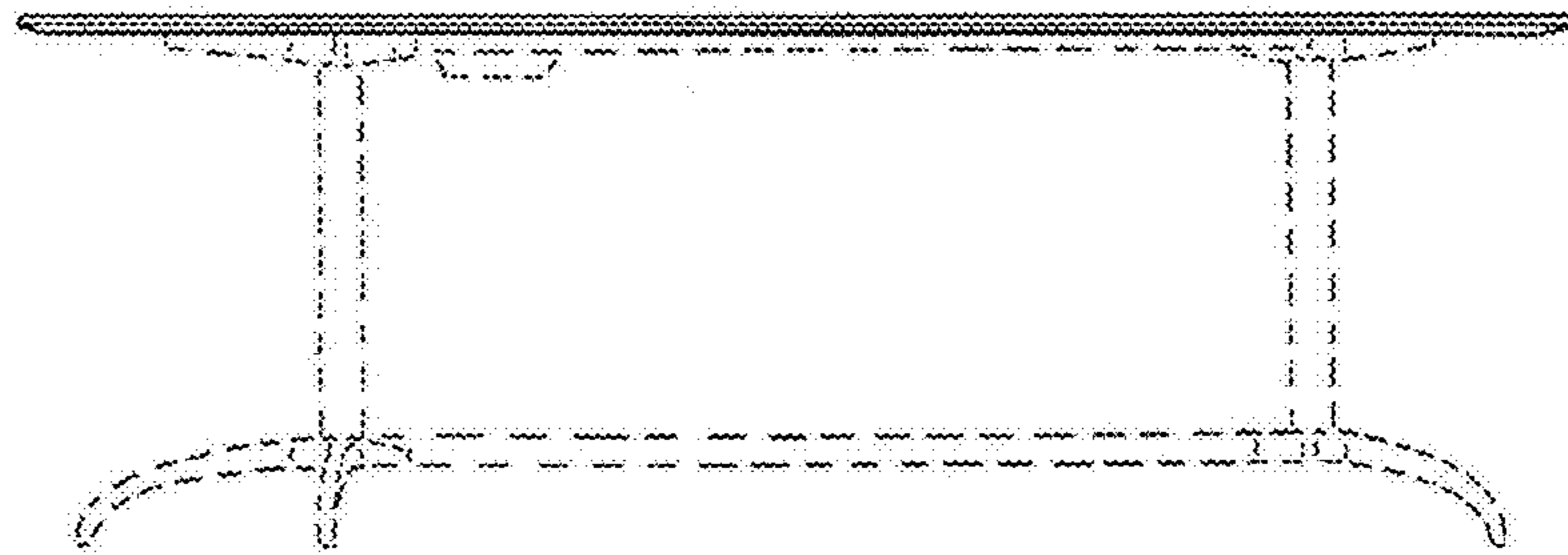


FIG. 5

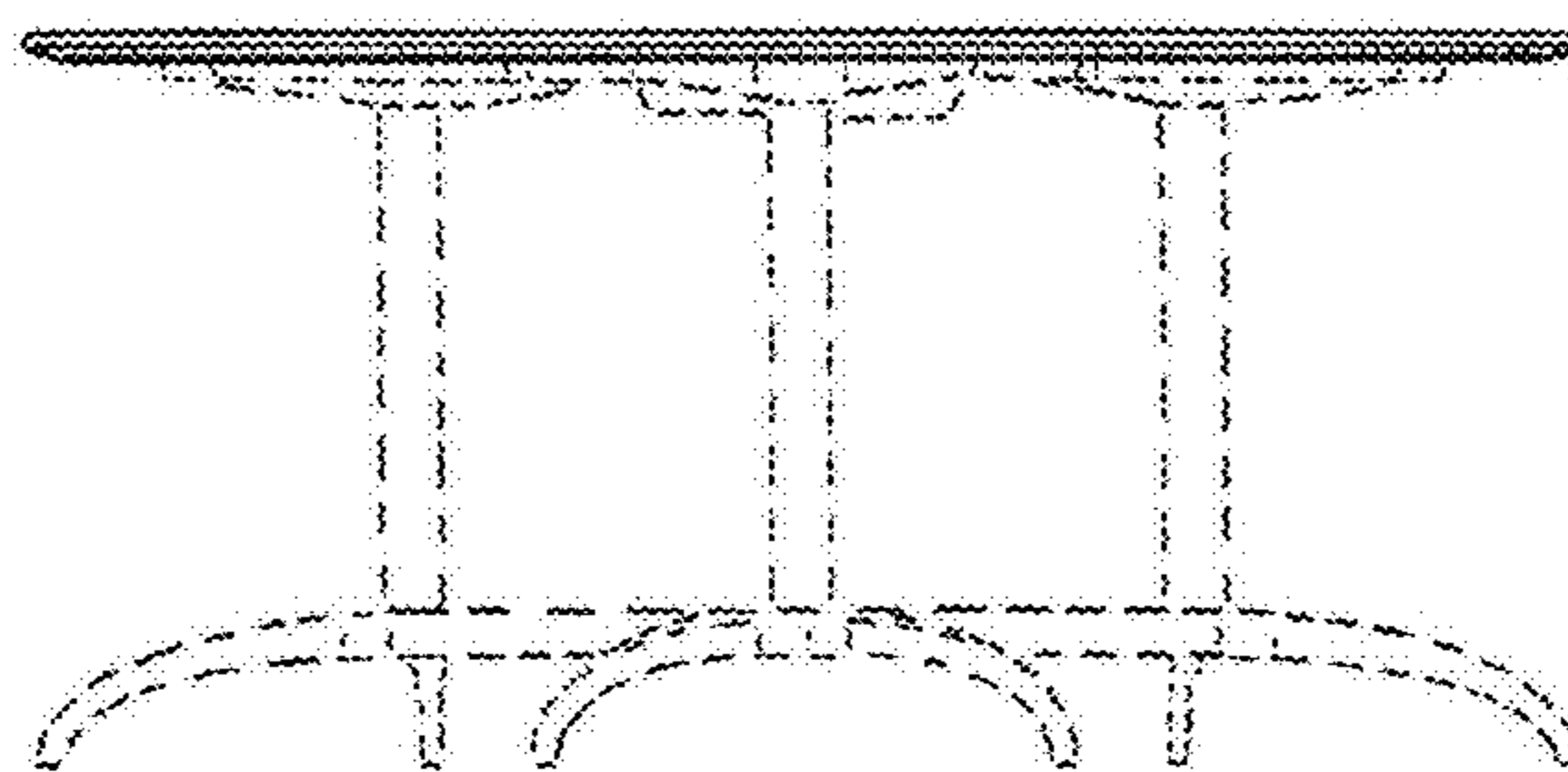


FIG. 6

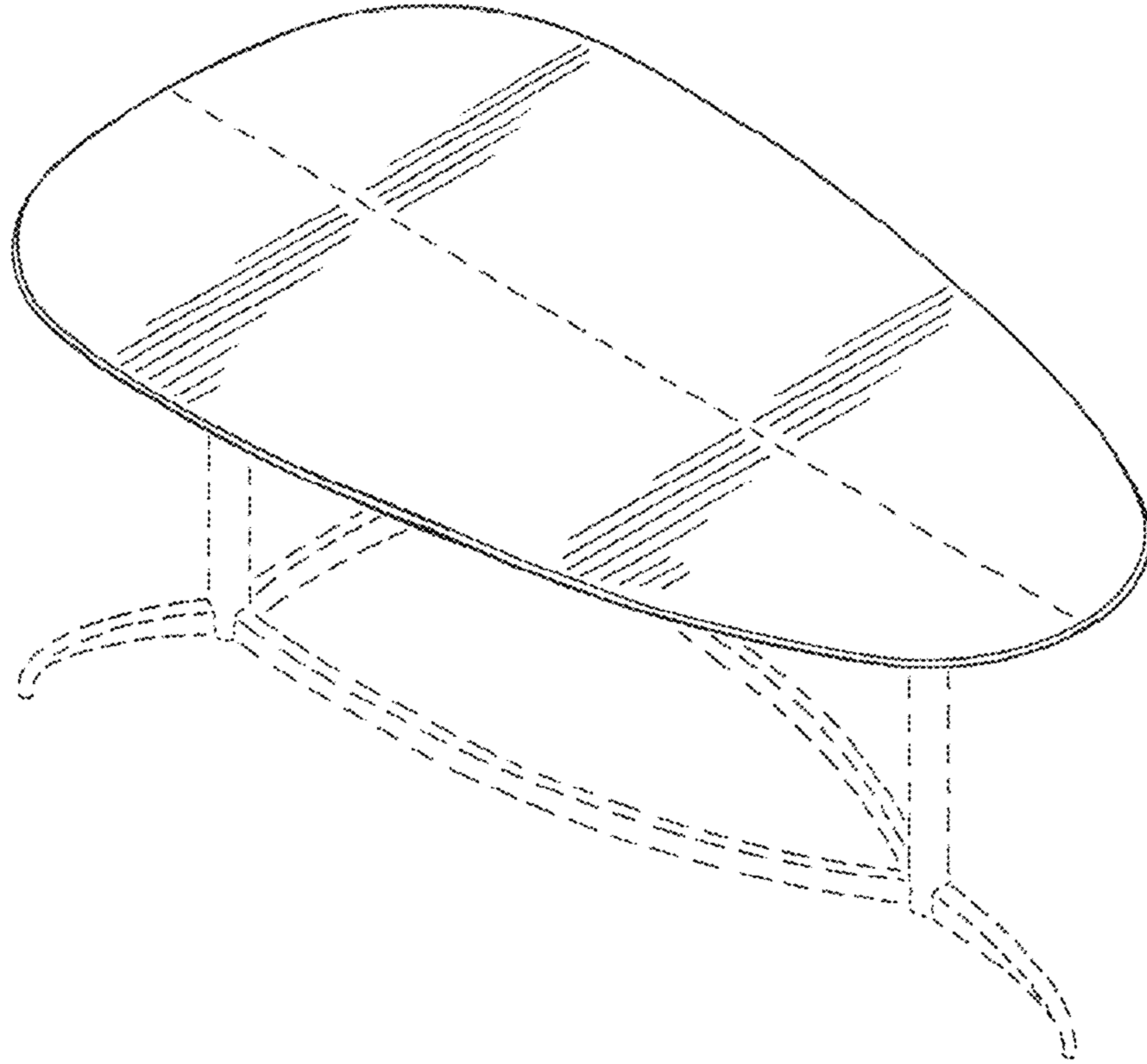


FIG. 7

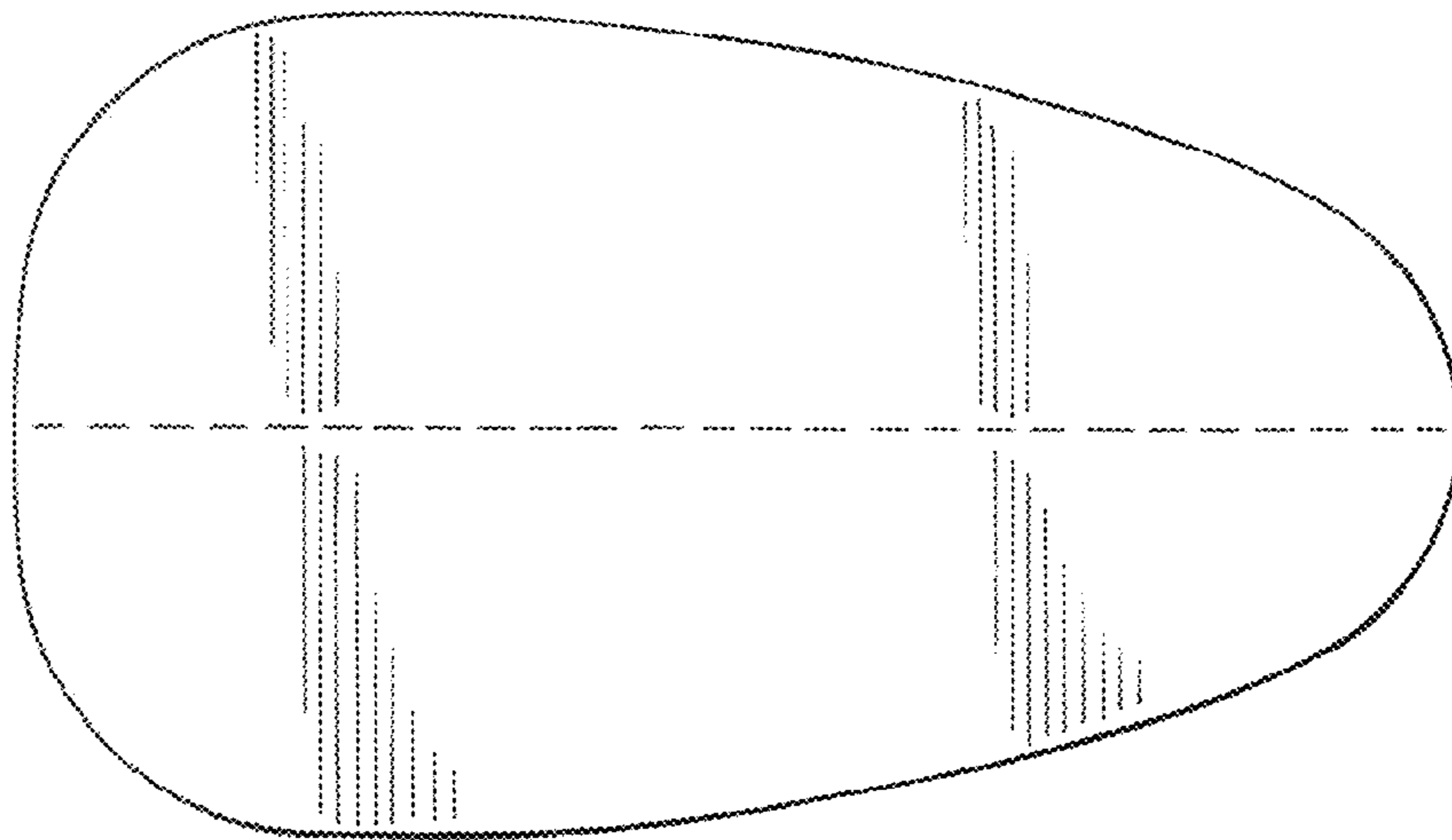


FIG. 8

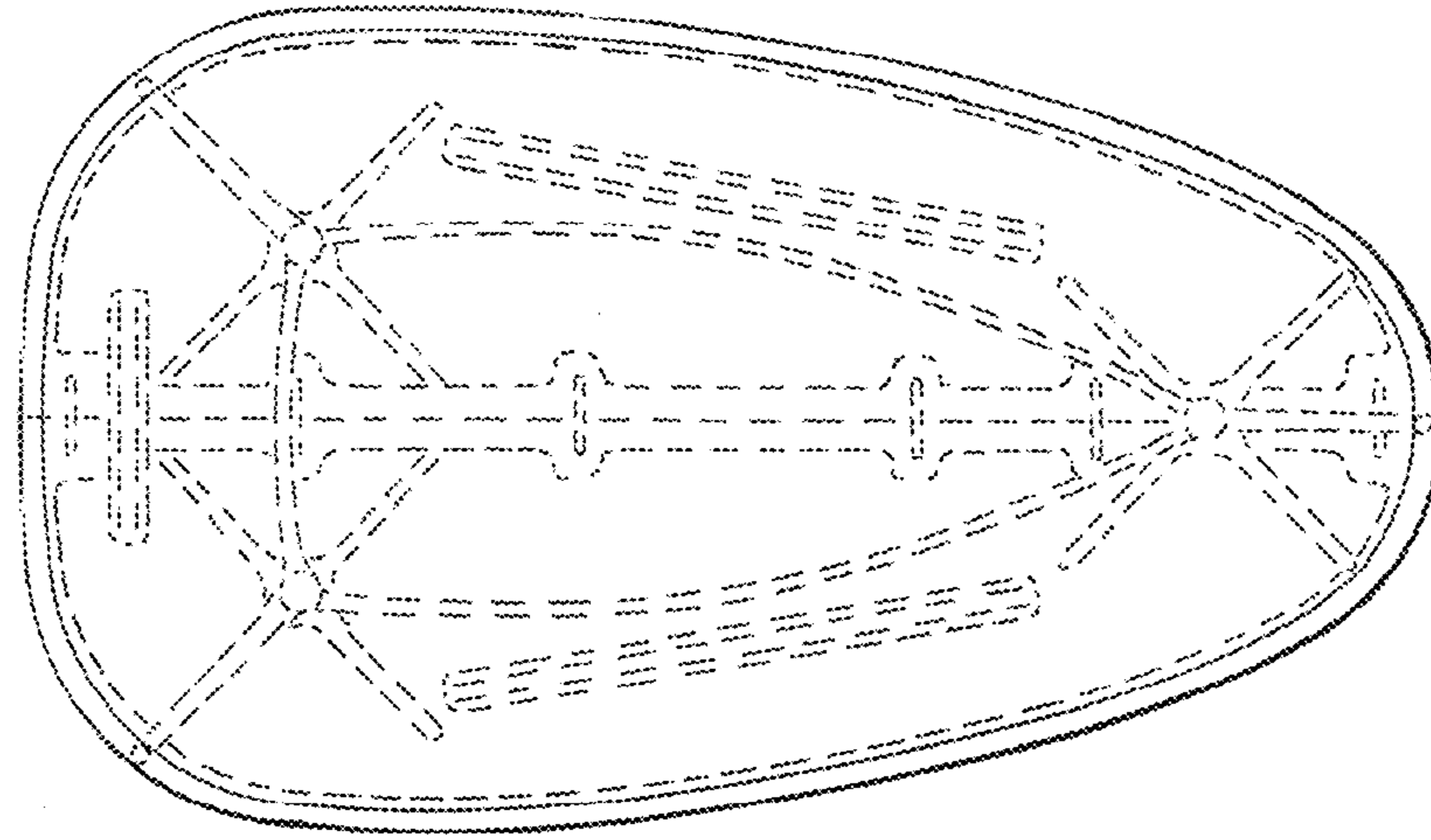


FIG. 9

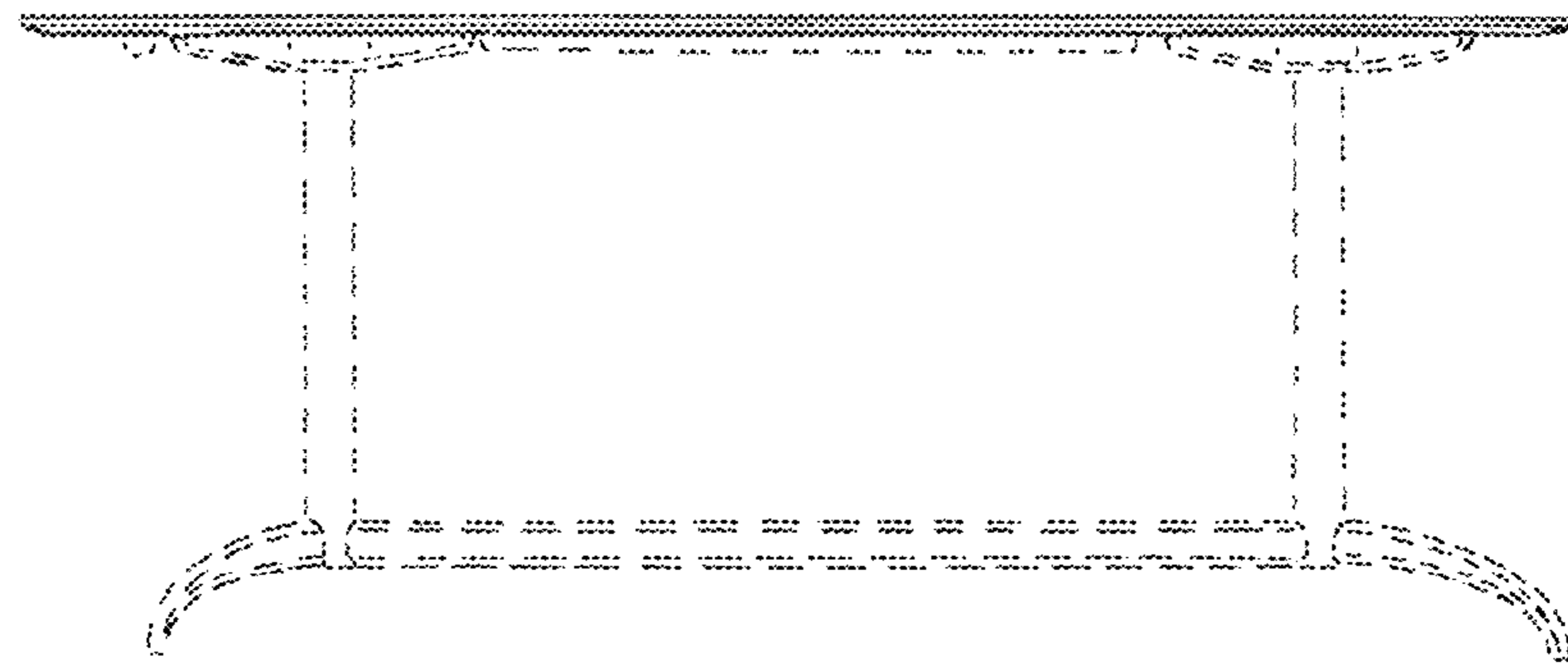


FIG. 10

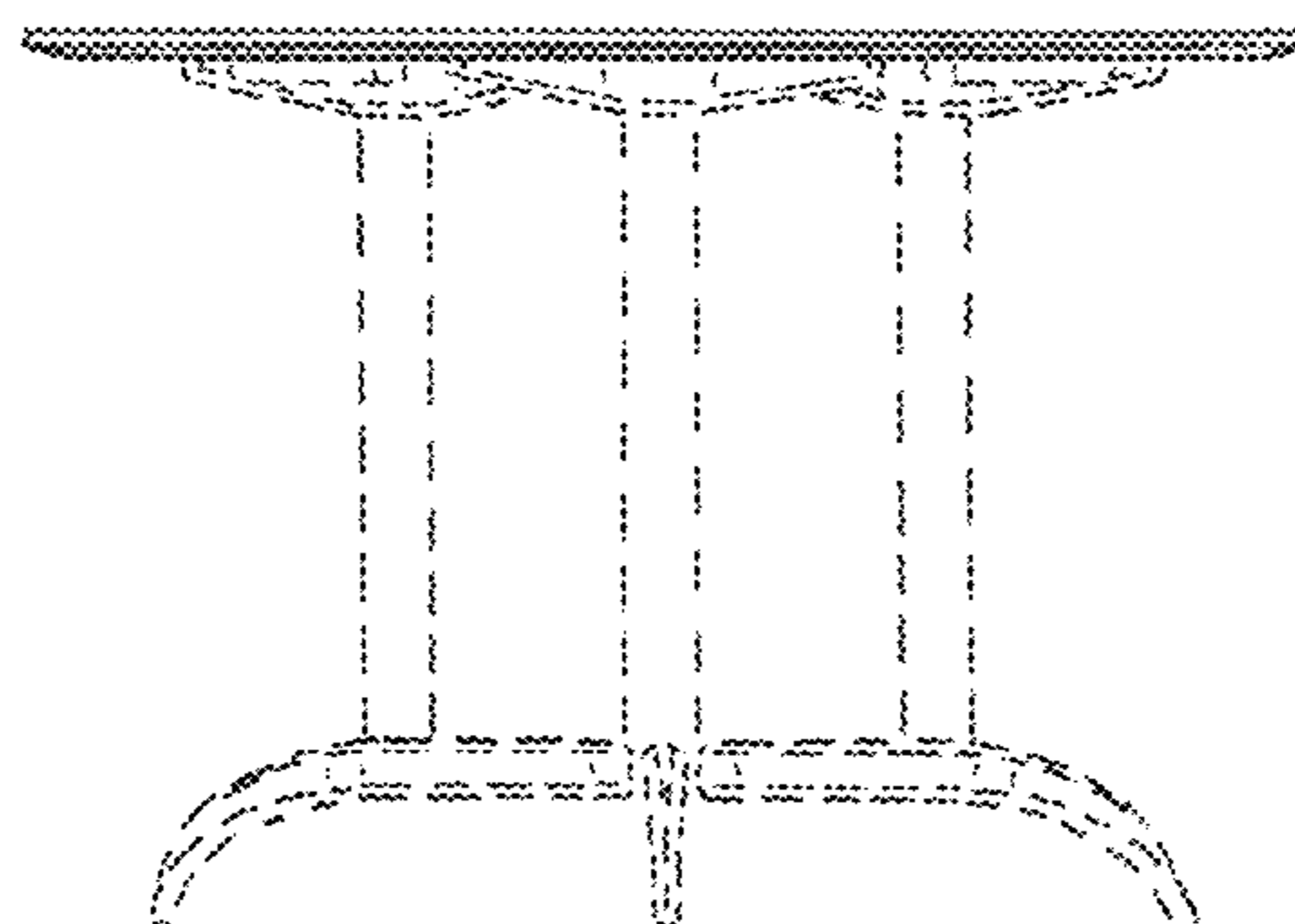


FIG. 11

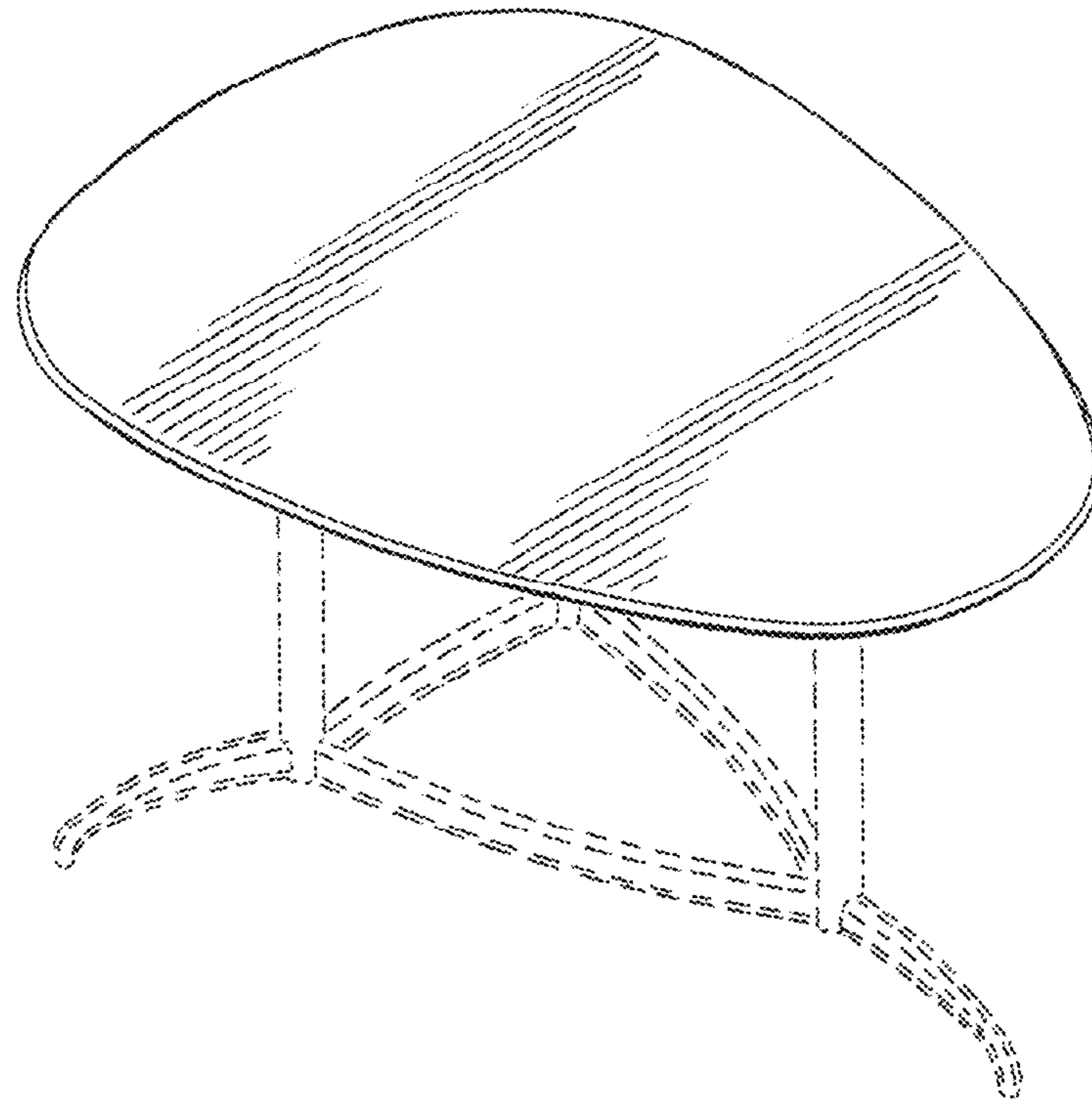


FIG. 12

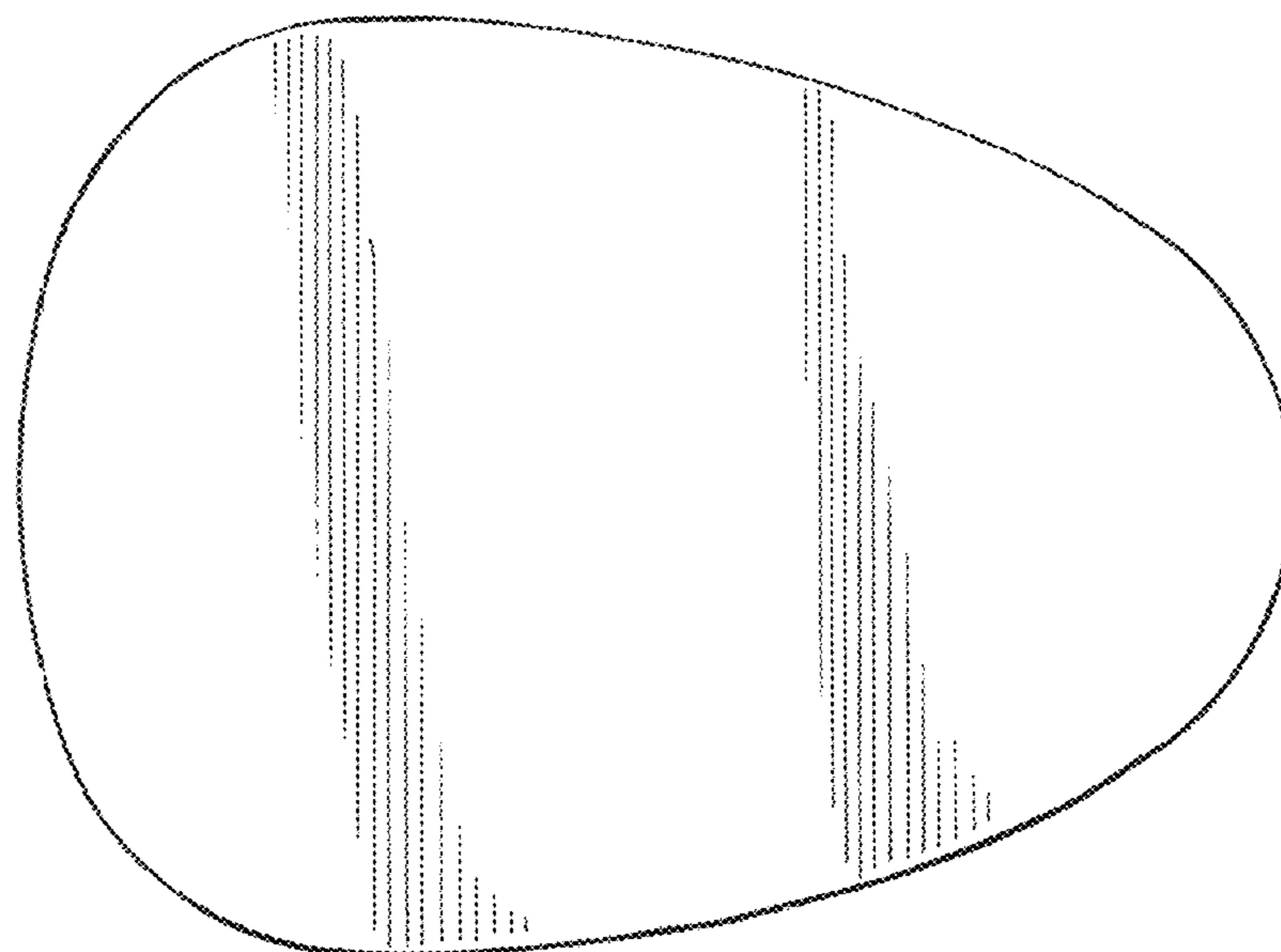


FIG. 13

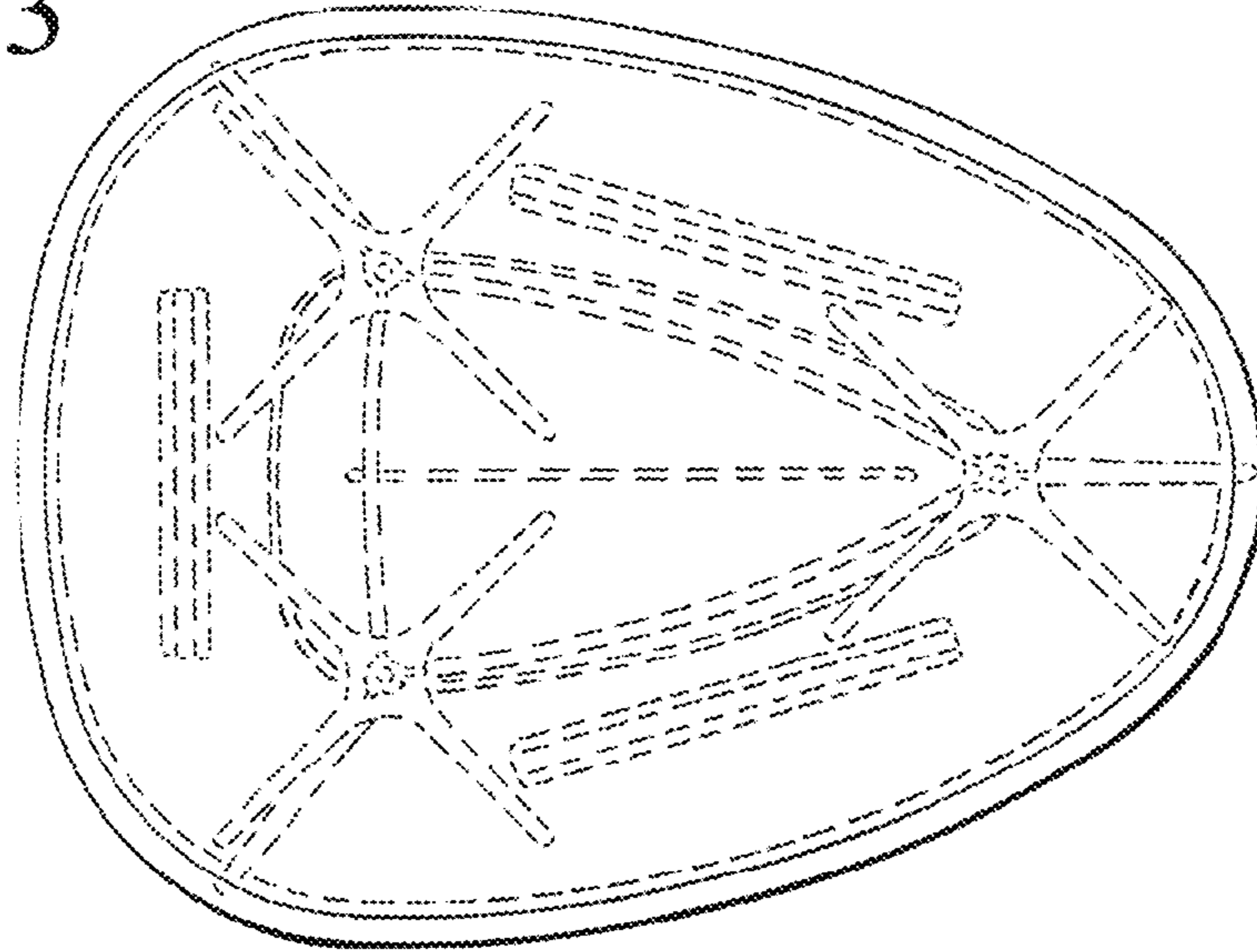


FIG. 14

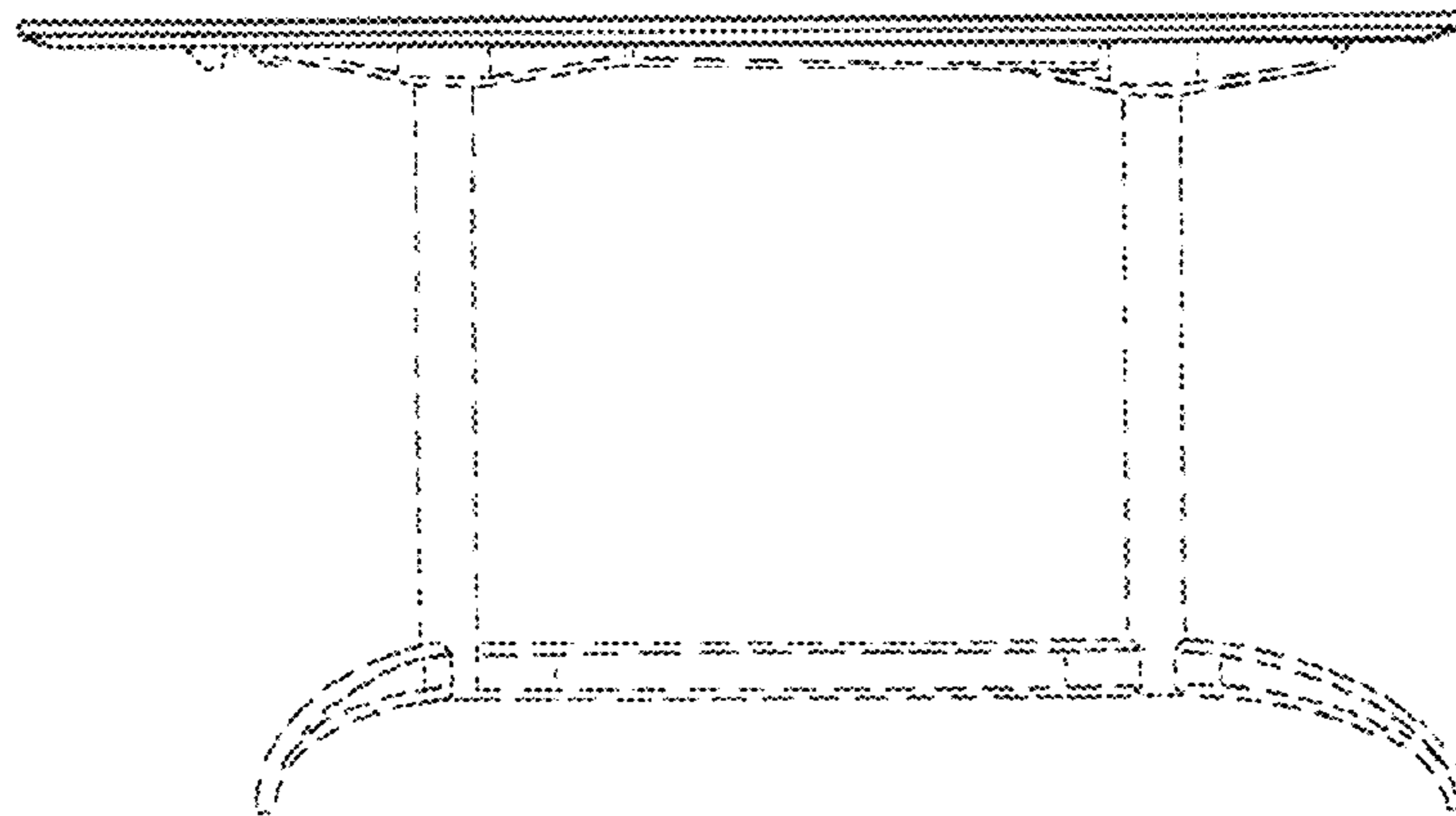


FIG. 15

