



US00D819371S

(12) **United States Design Patent**
Cao

(10) **Patent No.:** **US D819,371 S**
(45) **Date of Patent:** **** Jun. 5, 2018**

- (54) **HEIGHT ADJUSTABLE DESK**
- (71) Applicant: **Changzhou Ouerfute International Trade Co., Ltd.**, Changzhou, Jiangsu (CN)
- (72) Inventor: **Yanheng Cao**, Jiangsu (CN)
- (**) Term: **15 Years**
- (21) Appl. No.: **29/589,520**
- (22) Filed: **Jan. 2, 2017**
- (51) **LOC (11) Cl.** **06-03**
- (52) **U.S. Cl.**
USPC **D6/656.16**
- (58) **Field of Classification Search**
USPC D6/406.4, 641, 654, 656.16, 656.17, D6/656.19, 691, 698, 705, 708.16; D19/113, 114
CPC A47B 21/00; A47B 21/02; A47B 9/00; A47B 9/02; A47B 9/04; A47B 17/02; A47B 3/00; A63B 2225/093
See application file for complete search history.

(56) **References Cited**

U.S. PATENT DOCUMENTS

- 2,805,906 A * 9/1957 Humphries A47B 3/0815 108/129
- 2,843,226 A * 7/1958 Nordmark A47B 41/04 108/6
- 4,067,266 A * 1/1978 Lafargue A47B 3/00 108/172
- 4,515,087 A * 5/1985 Kurrasch A47B 9/00 108/147
- D283,094 S * 3/1986 Strand D6/654
- D354,636 S * 1/1995 Cable D19/113
- 5,394,809 A * 3/1995 Feldpausch A47B 9/00 108/147.21
- 5,598,788 A * 2/1997 Jonker A47B 9/10 108/147

- 5,601,037 A * 2/1997 Meyer A47B 9/04 108/147
- 5,913,272 A * 6/1999 Gutgsell A47B 3/00 108/132
- 6,029,587 A * 2/2000 Rozier, Jr. A47B 9/14 108/147.21
- 6,510,803 B1 * 1/2003 Agee A47B 9/00 108/147
- 6,810,820 B1 * 11/2004 Okerlund A47B 9/06 108/137
- D559,592 S * 1/2008 Glass D6/656.16
- D563,697 S * 3/2008 Glass D6/656.16
- D654,294 S * 2/2012 Davis D6/705
- D776,961 S * 1/2017 Yamamoto D6/656.16
- 9,700,135 B2 * 7/2017 Herring A47B 9/00
- 9,723,920 B1 * 8/2017 Wu A47B 21/02
- 9,820,565 B2 * 11/2017 Zebarjad A47B 9/02
- 9,839,285 B2 * 12/2017 Cassamajor A47B 21/02
- D808,204 S * 1/2018 Davis D6/691
- 2004/0083932 A1 * 5/2004 Kottman A47B 3/00 108/115

(Continued)

Primary Examiner — Kevin K Rudzinski
Assistant Examiner — Paul D Bohannon

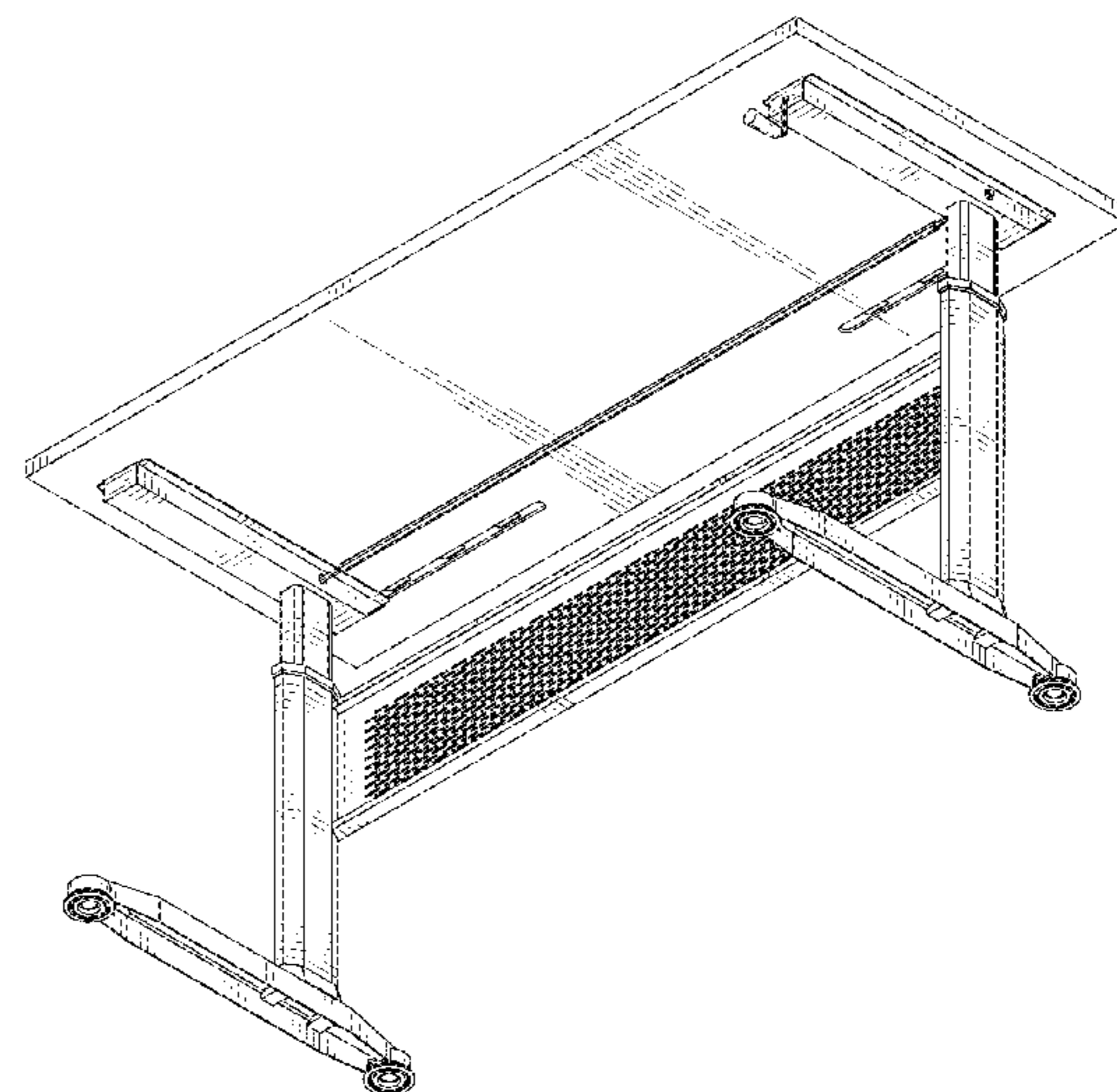
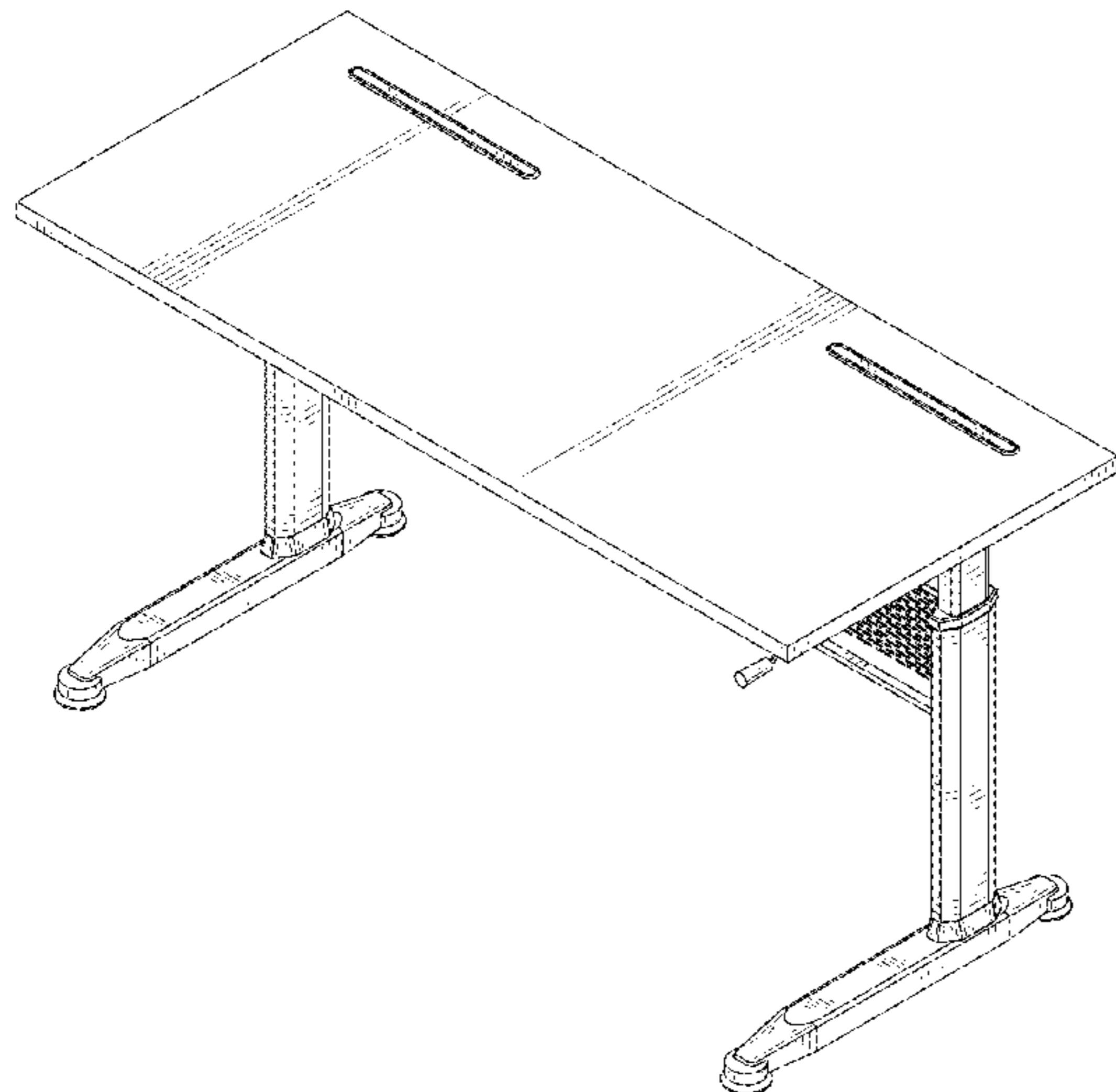
(57) **CLAIM**

The ornamental design for a height adjustable desk, as shown and described.

DESCRIPTION

FIG. 1 is a first perspective view of a height adjustable desk showing my new design;
FIG. 2 is a second perspective view thereof;
FIG. 3 is a front elevational view thereof;
FIG. 4 is a rear elevational view thereof;
FIG. 5 is a left side view thereof;
FIG. 6 is a right side view thereof;
FIG. 7 is a top plan view thereof; and,
FIG. 8 is a bottom plan view thereof.

1 Claim, 8 Drawing Sheets



(56)

References Cited

U.S. PATENT DOCUMENTS

2006/0118682 A1* 6/2006 Asquith A47B 9/04
248/188.5
2012/0248910 A1* 10/2012 Randlov A47B 9/04
310/83
2016/0038785 A1* 2/2016 Netter A63B 22/0235
482/4
2016/0106205 A1* 4/2016 Hall A47B 9/00
700/275
2017/0188698 A1* 7/2017 Chen A47B 9/20
2017/0251802 A1* 9/2017 Lu A47B 1/08
2017/0251806 A1* 9/2017 Newman A47B 21/02
2017/0340102 A1* 11/2017 Ergun A47B 9/10
2017/0360188 A1* 12/2017 Alguire A47B 9/00
2017/0360190 A1* 12/2017 Chen A47B 9/20
2018/0000240 A1* 1/2018 Yamamoto A47B 9/20

* cited by examiner

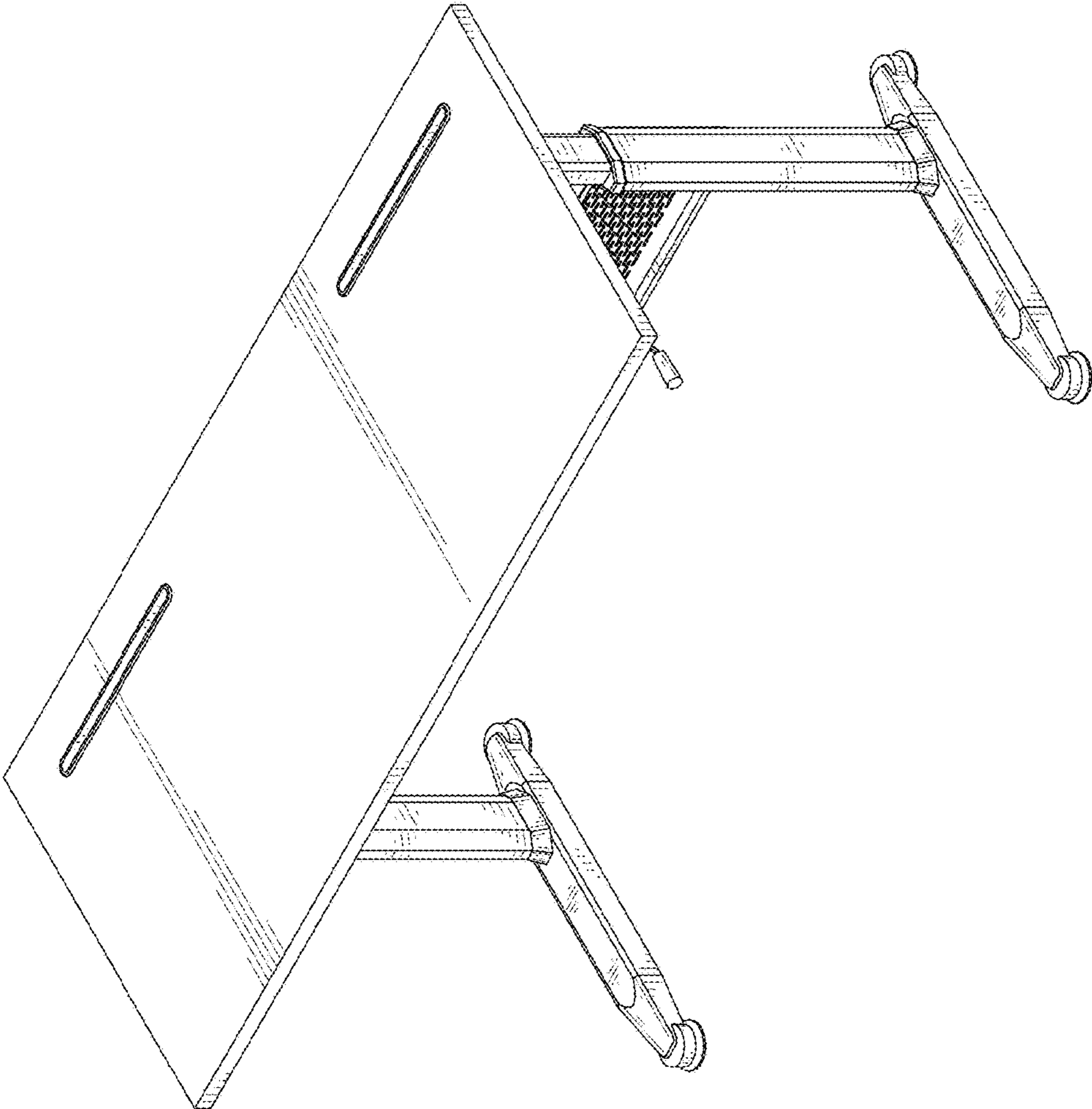


Fig. 1

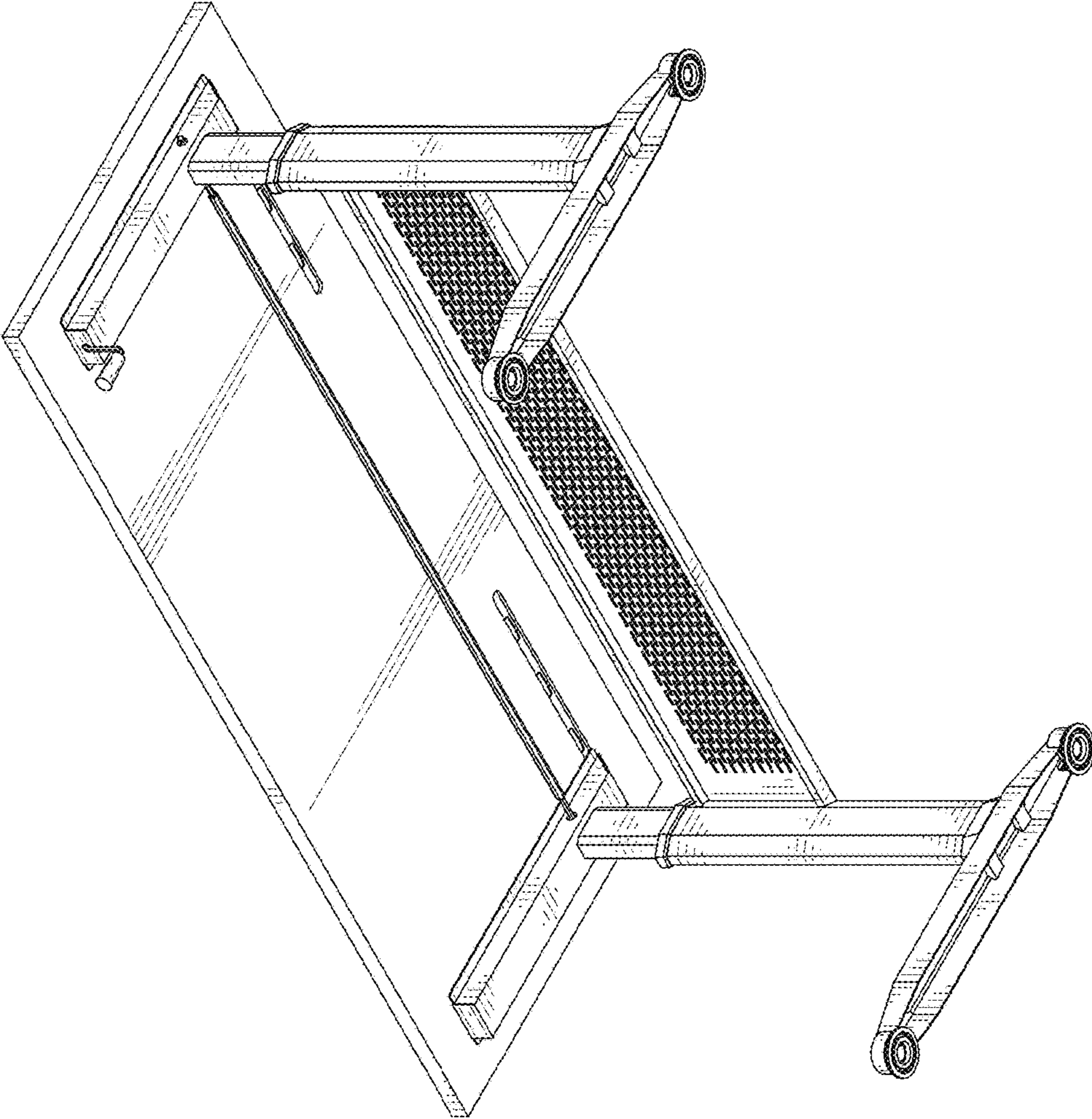


Fig. 2

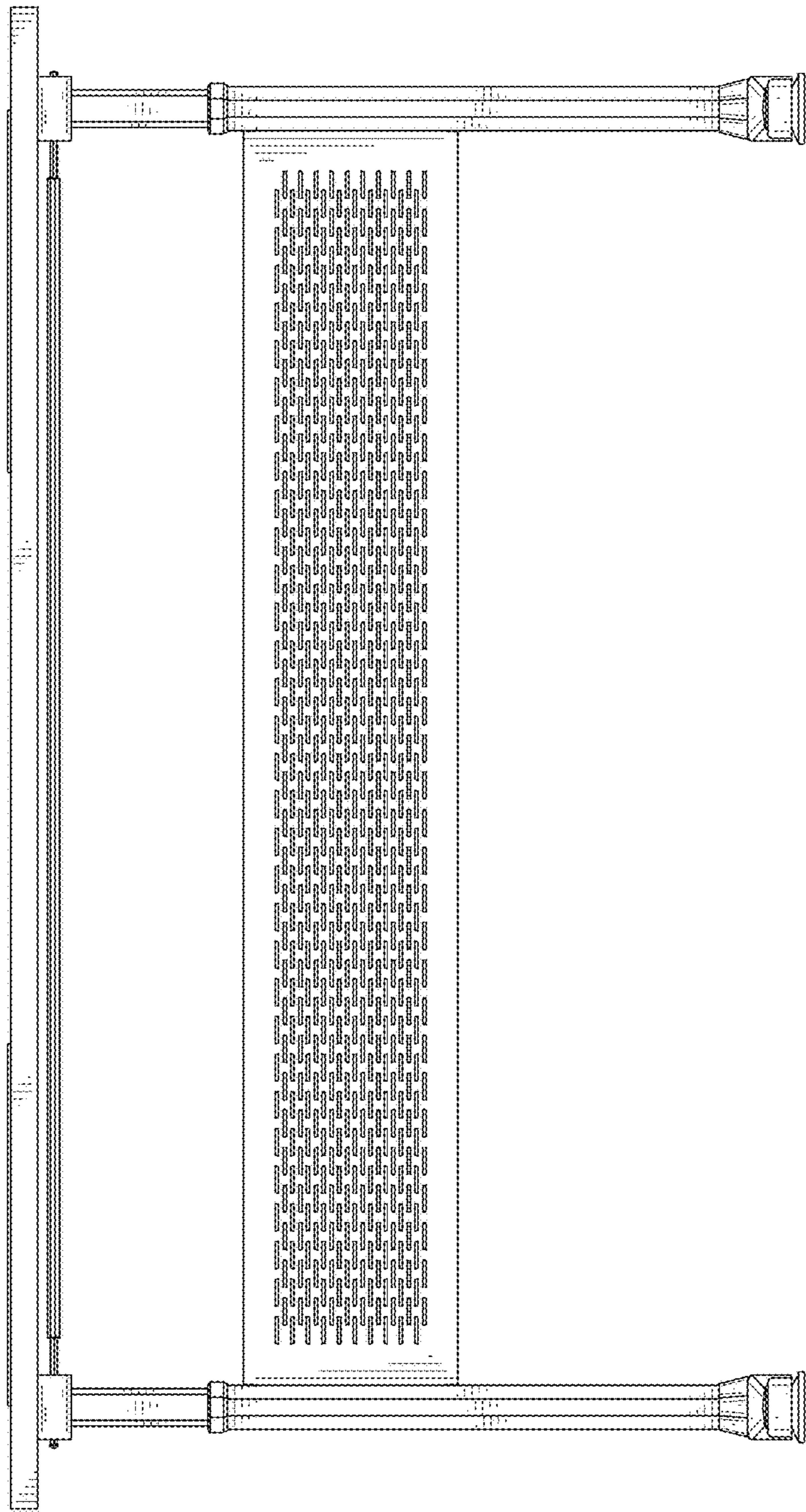


Fig. 3

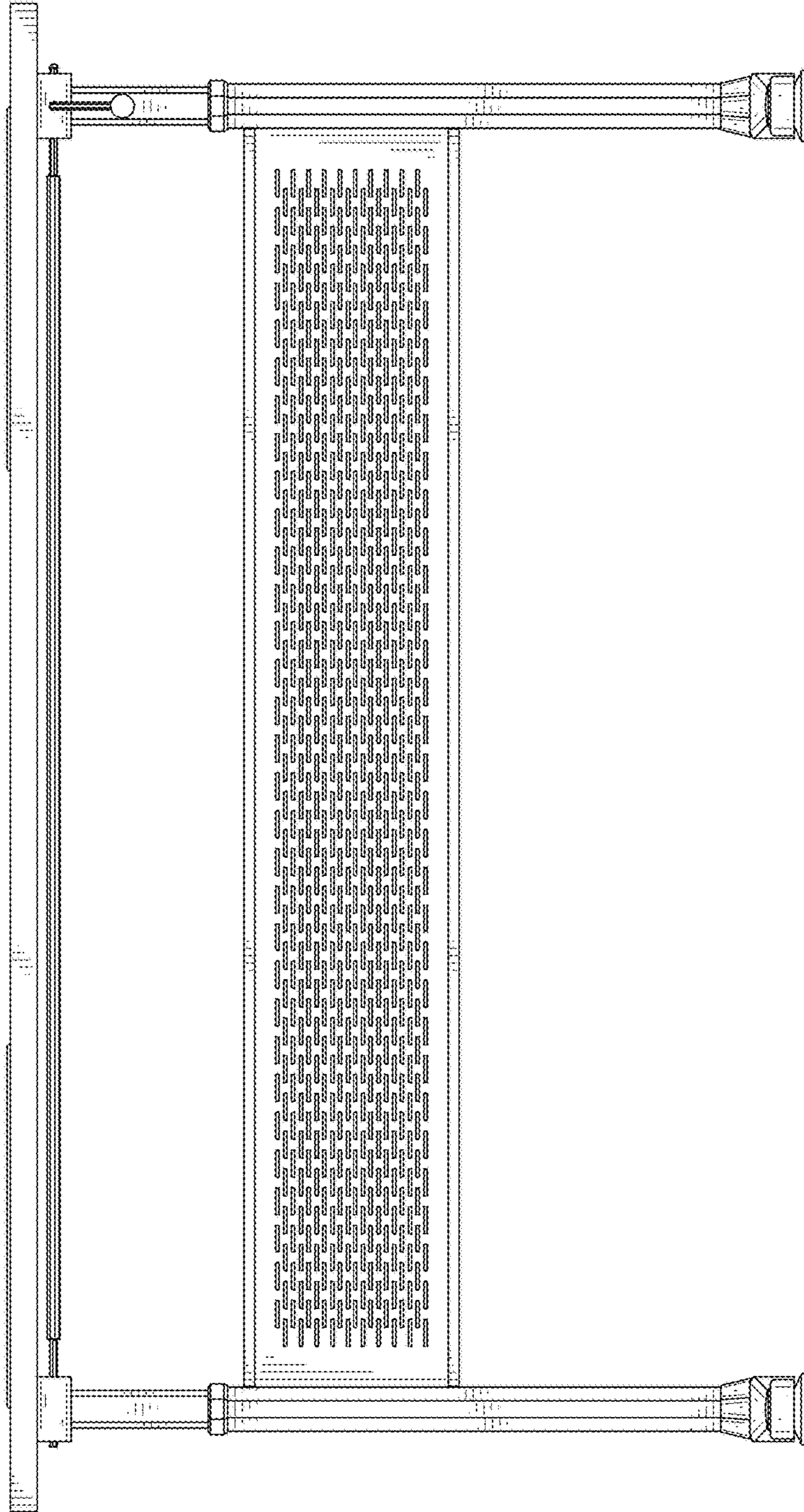


Fig. 4

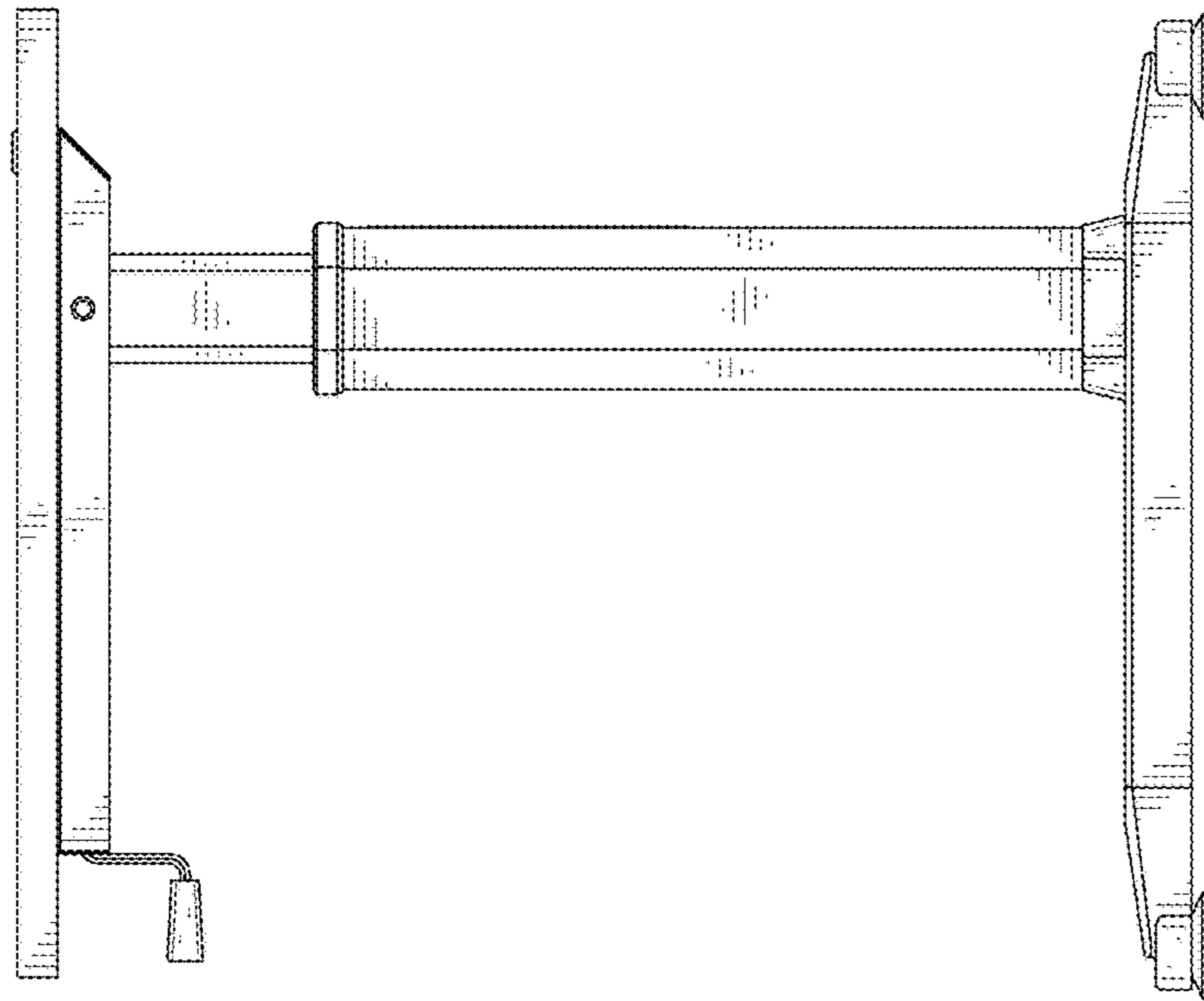


Fig. 5

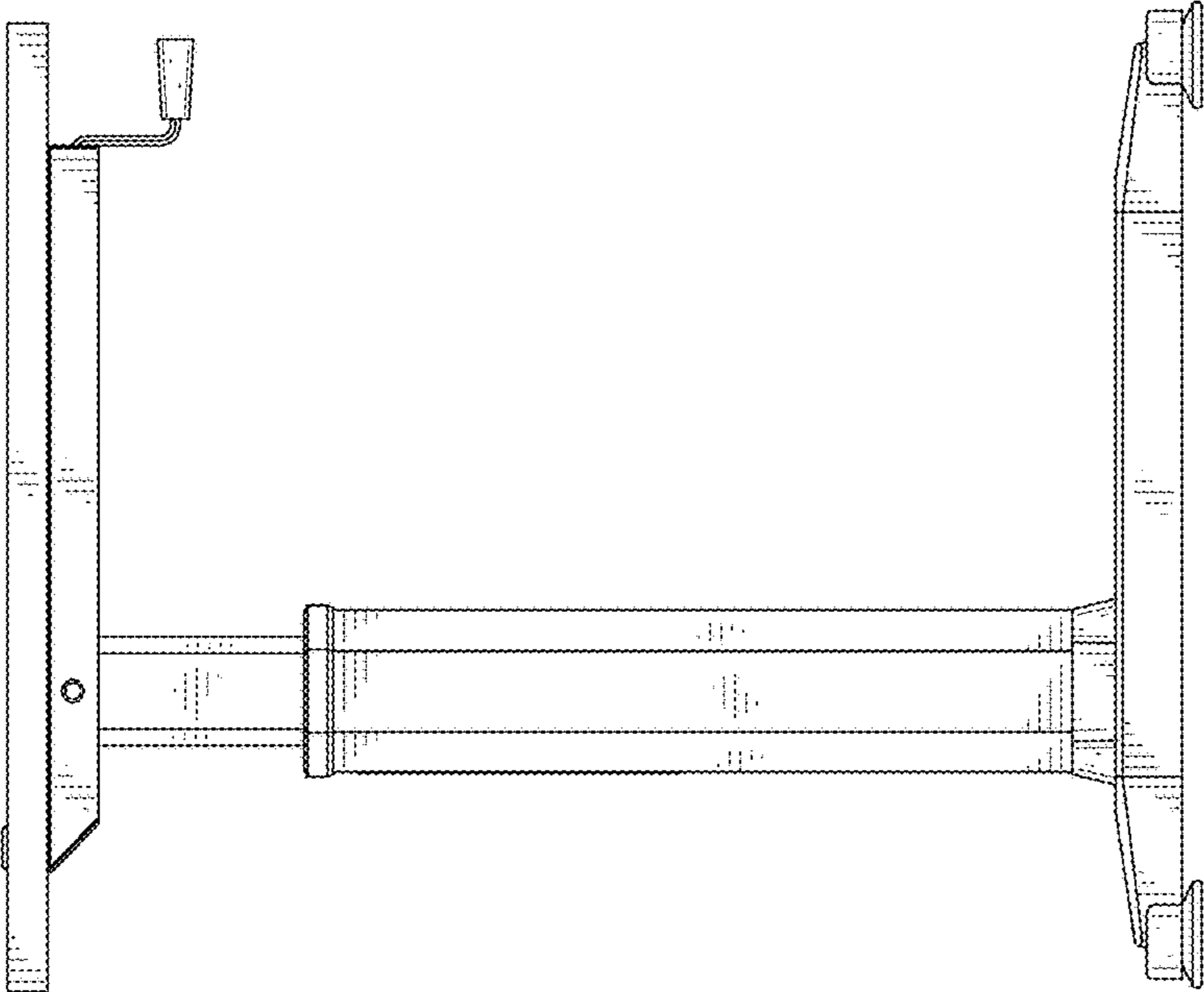


Fig. 6

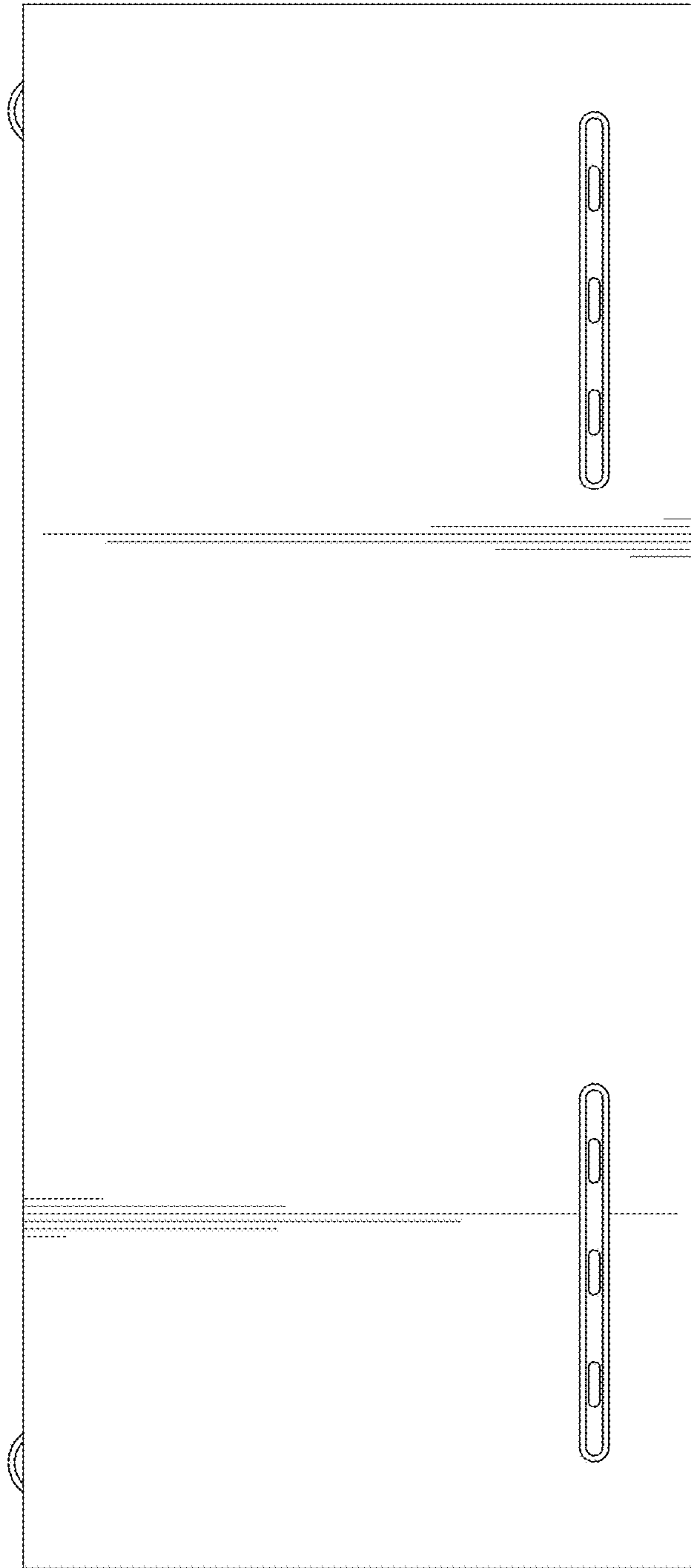


Fig. 7

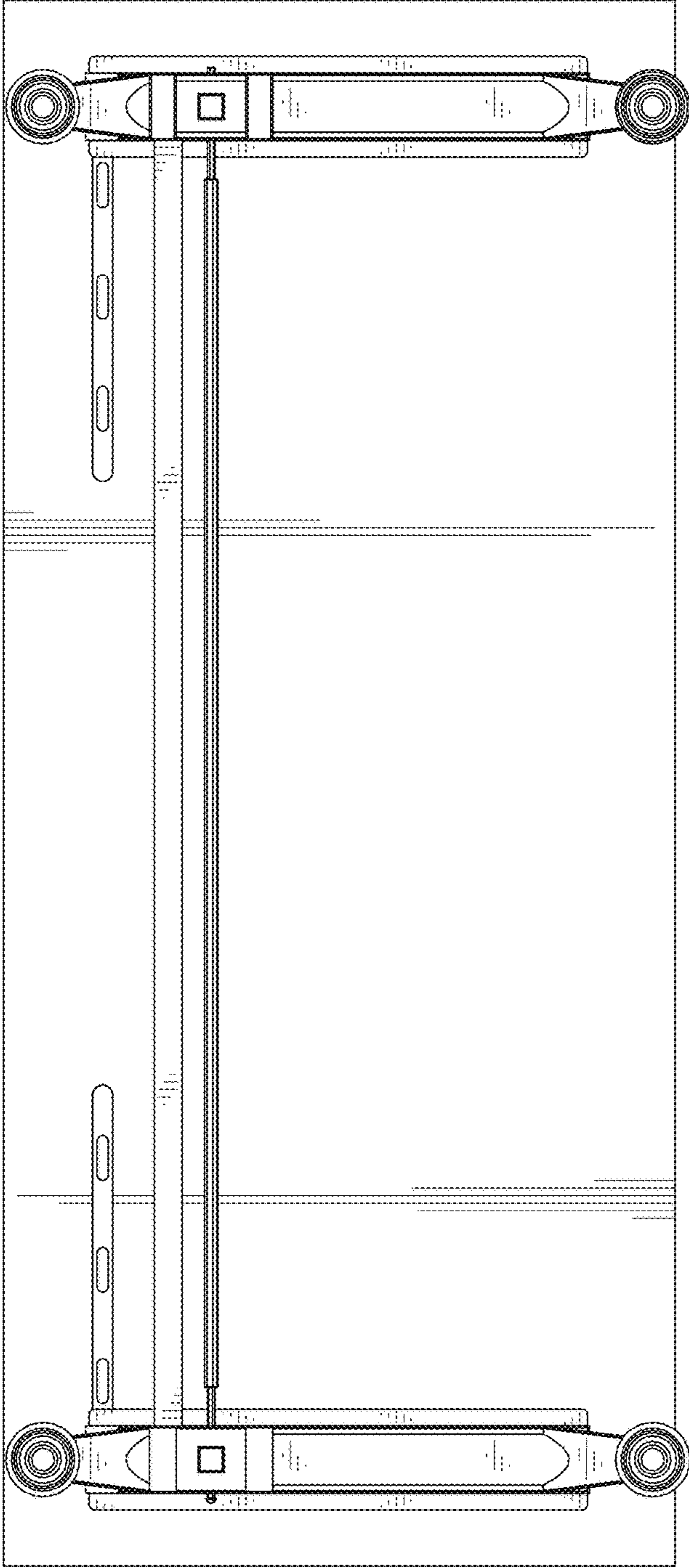


Fig. 8