



US00D819370S

(12) **United States Design Patent**
Lenhart et al.

(10) **Patent No.:** **US D819,370 S**
(45) **Date of Patent:** **** Jun. 5, 2018**

- (54) **CLASSROOM DESK**
- (71) Applicant: **Krueger International, Inc.**, Green Bay, WI (US)
- (72) Inventors: **Tad Edward Lenhart**, Cedarburg, WI (US); **Scott Anthony Bosman**, Green Bay, WI (US); **Xeng Xue Vang**, Green Bay, WI (US); **Steven C. Gevaert**, De Pere, WI (US)
- (73) Assignee: **Krueger International, Inc.**, Green Bay, WI (US)
- (**) Term: **15 Years**
- (21) Appl. No.: **29/573,033**
- (22) Filed: **Aug. 2, 2016**
- (51) **LOC (11) Cl.** **06-03**
- (52) **U.S. Cl.**
USPC **D6/656.13**
- (58) **Field of Classification Search**
USPC D6/641, 642, 648, 648.1, 648.2, 648.3, 648.4, 649, 653, 655, 655.11, 655.13, 656, 656.15, 699, 708, 708.16, 708.17, 709, 709.2
CPC A47B 7/00; A47B 13/08; A47B 13/10; A47B 21/00; A47B 2009/006; A47B 11/00; A47B 2200/002
See application file for complete search history.

- (56) **References Cited**
U.S. PATENT DOCUMENTS
4,064,815 A * 12/1977 Baum A47B 3/0812 108/129
4,444,124 A * 4/1984 Burr A47B 3/0918 108/131
D296,851 S * 7/1988 Kelley D6/656.11
D324,615 S * 3/1992 Diffrient D6/709

- 5,109,778 A * 5/1992 Berkowitz A47B 3/0911 108/117
- D415,635 S * 10/1999 Bengtsson D6/656.15
- D463,687 S * 10/2002 Goodworth D6/656.15
- D548,496 S * 8/2007 Samtani D6/656.13
- D578,324 S * 10/2008 Glass D6/708
- D581,704 S * 12/2008 Hwang D6/656.13
- D612,169 S * 3/2010 Chang D6/656.13
- D640,486 S * 6/2011 Saelid D6/656.15
- D665,191 S * 8/2012 Yamamoto D6/656.15
- D687,656 S * 8/2013 Copeland D6/656.15
- D691,840 S * 10/2013 Copeland D6/656.15
- D693,152 S * 11/2013 Yamamoto D6/656.15
- D694,044 S * 11/2013 Copeland D6/656.15
- D702,974 S * 4/2014 Madison D6/650
- D720,948 S * 1/2015 Gonzalez D6/656.13
- D730,096 S * 5/2015 Hosoya D6/709

(Continued)

Primary Examiner — Mary Ann Calabrese
Assistant Examiner — Sloan Rozin
(74) *Attorney, Agent, or Firm* — Andrus Intellectual Property Law, LLP

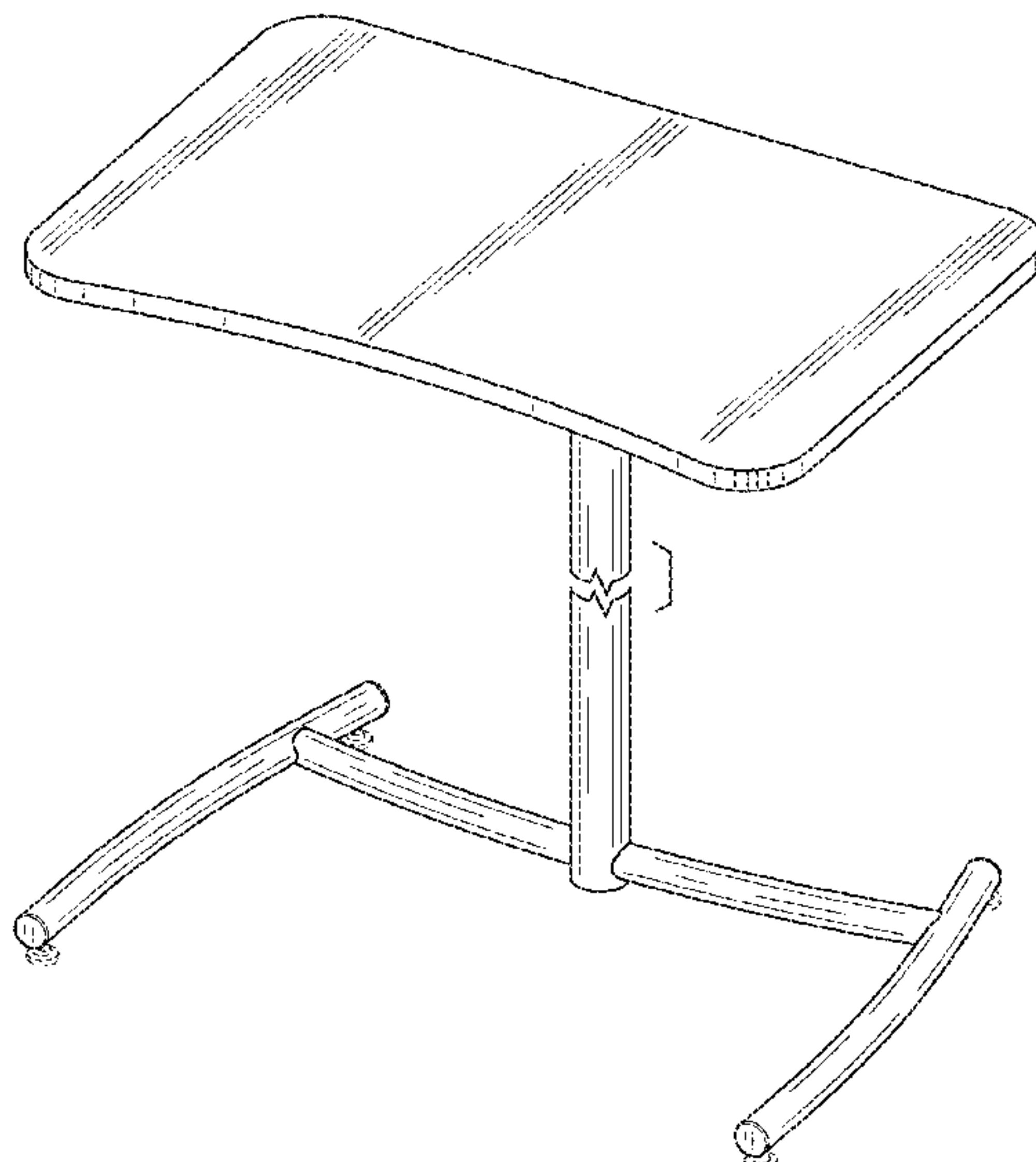
(57) **CLAIM**

The ornamental design for a classroom desk, as shown and described.

DESCRIPTION

FIG. 1 is a front isometric view of a classroom desk; FIG. 2 is a front elevation view thereof; FIG. 3 is a rear elevation view thereof; FIG. 4 is a right side elevation view thereof; FIG. 5 is a left side elevation view thereof; FIG. 6 is a top plan view thereof; and, FIG. 7 is a bottom plan view thereof. The broken lines in the drawing view are included for purposes of illustrating environment and form no part of the claimed design. The classroom desk is shown with symbolic breaks in length. The appearance of any portion of the article between the break lines forms no part of the claimed design.

1 Claim, 5 Drawing Sheets



(56)

References Cited

U.S. PATENT DOCUMENTS

D731,220 S * 6/2015 Fletcher D6/338
D731,221 S * 6/2015 Hosoya D6/708.16
D749,878 S * 2/2016 Domingo D6/656.13
D759,994 S * 6/2016 Lin D6/656.13
D770,814 S * 11/2016 Davidson D6/656.15
D787,237 S * 5/2017 Bowman D6/656.15
D799,869 S * 10/2017 Yoo D6/700
2013/0284077 A1* 10/2013 Copeland A47B 3/00
108/117
2015/0189982 A1* 7/2015 Fitzpatrick A47B 23/043
248/397

* cited by examiner

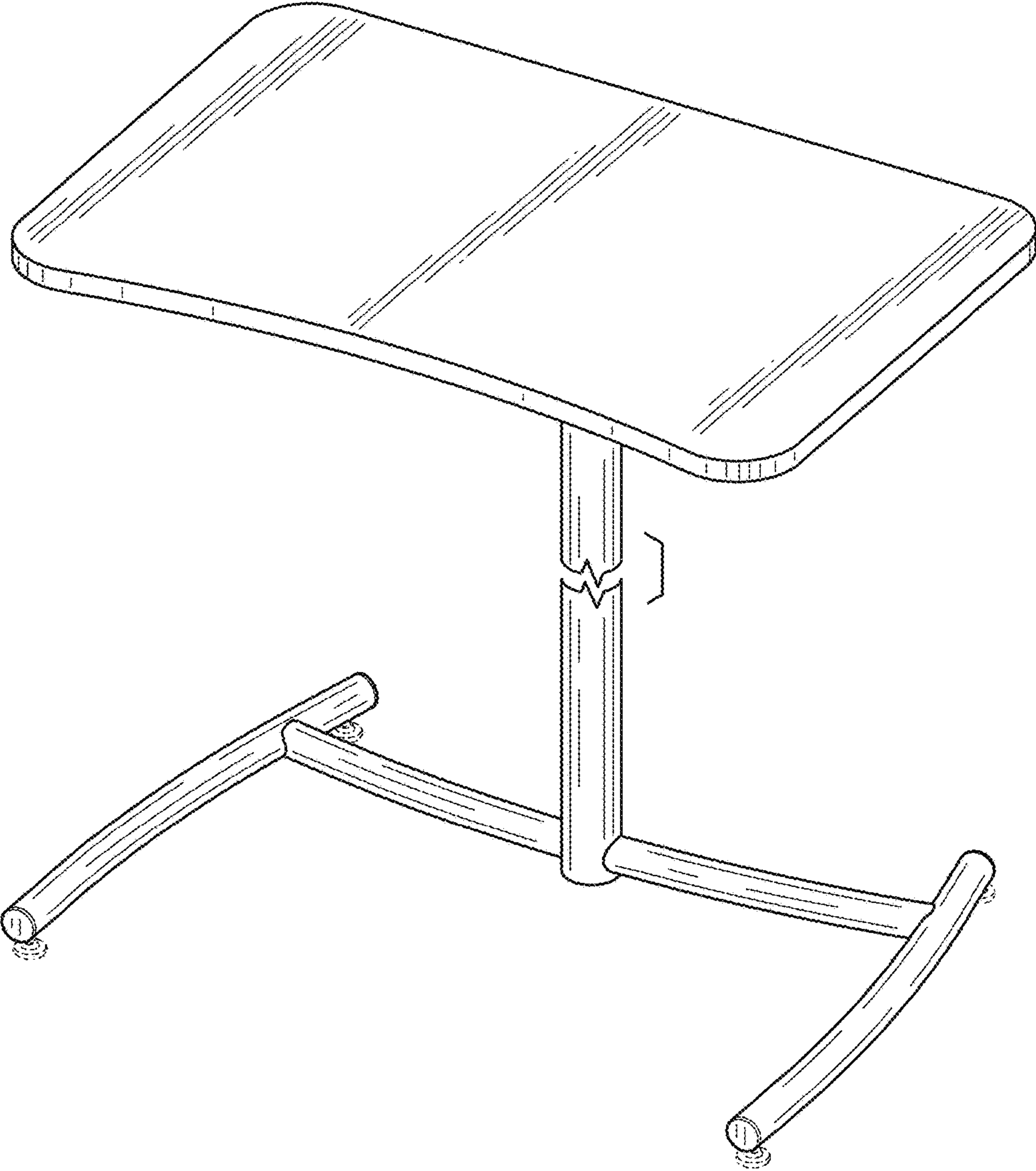


FIG. 1

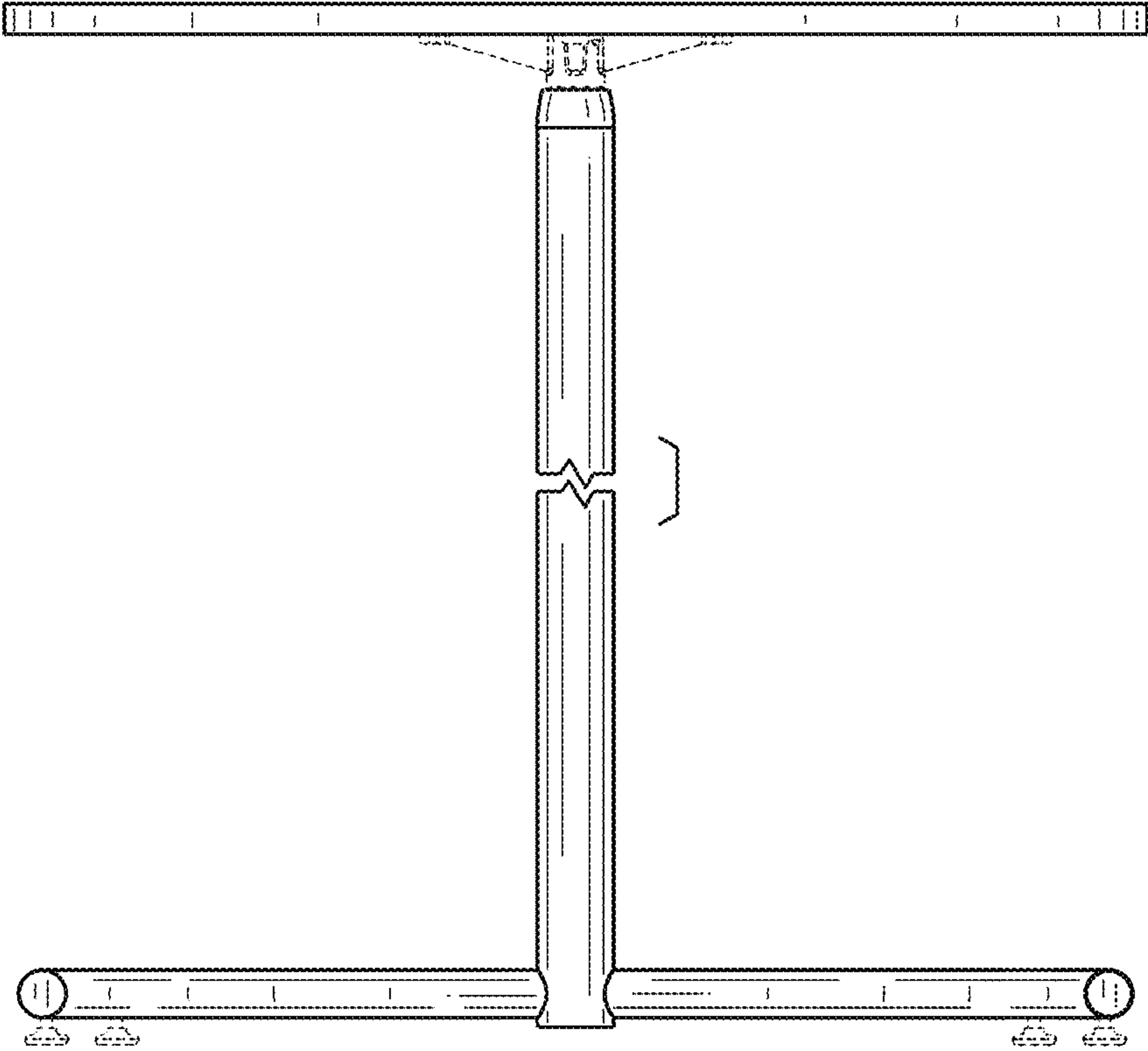


FIG. 2

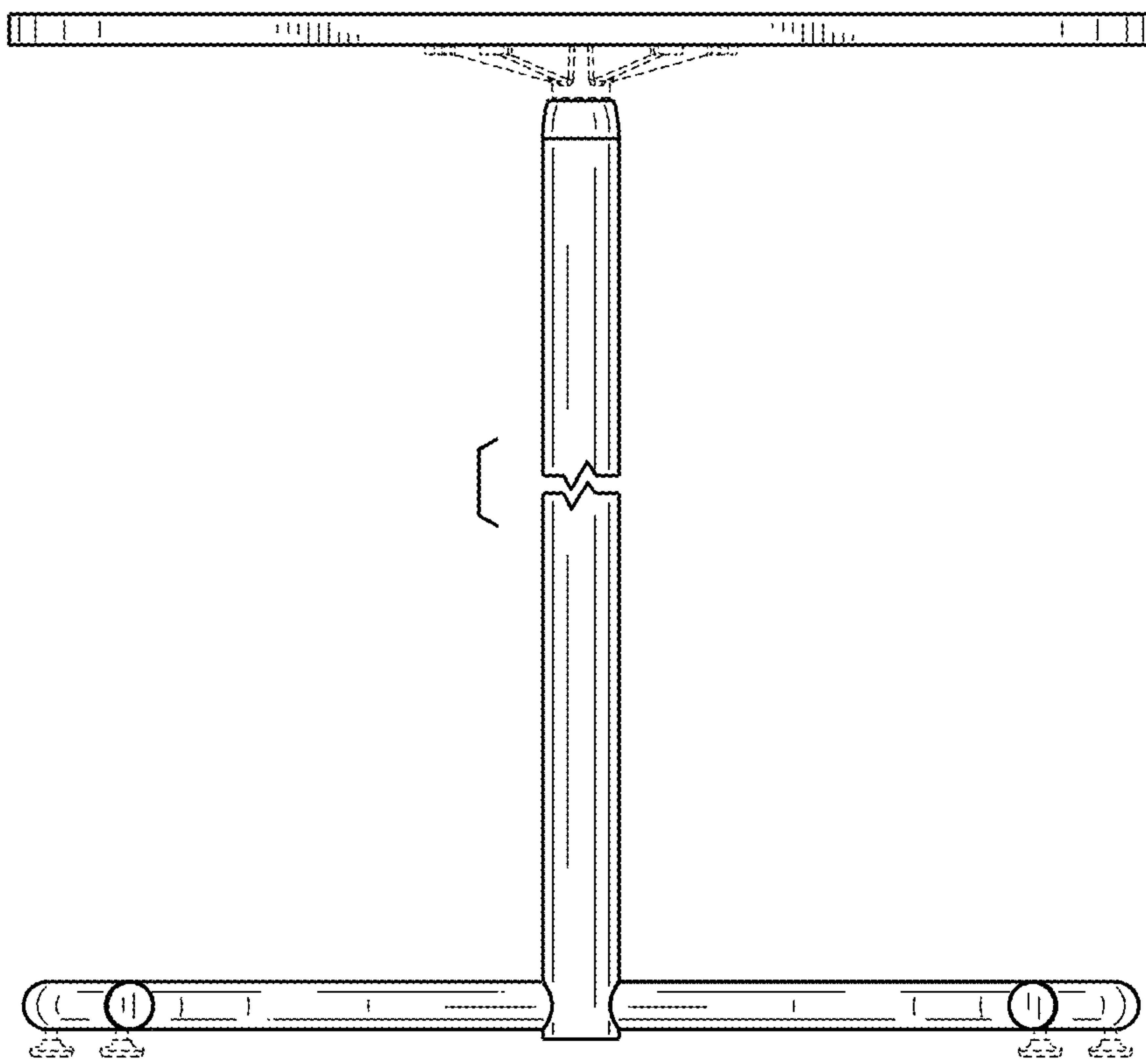


FIG. 3

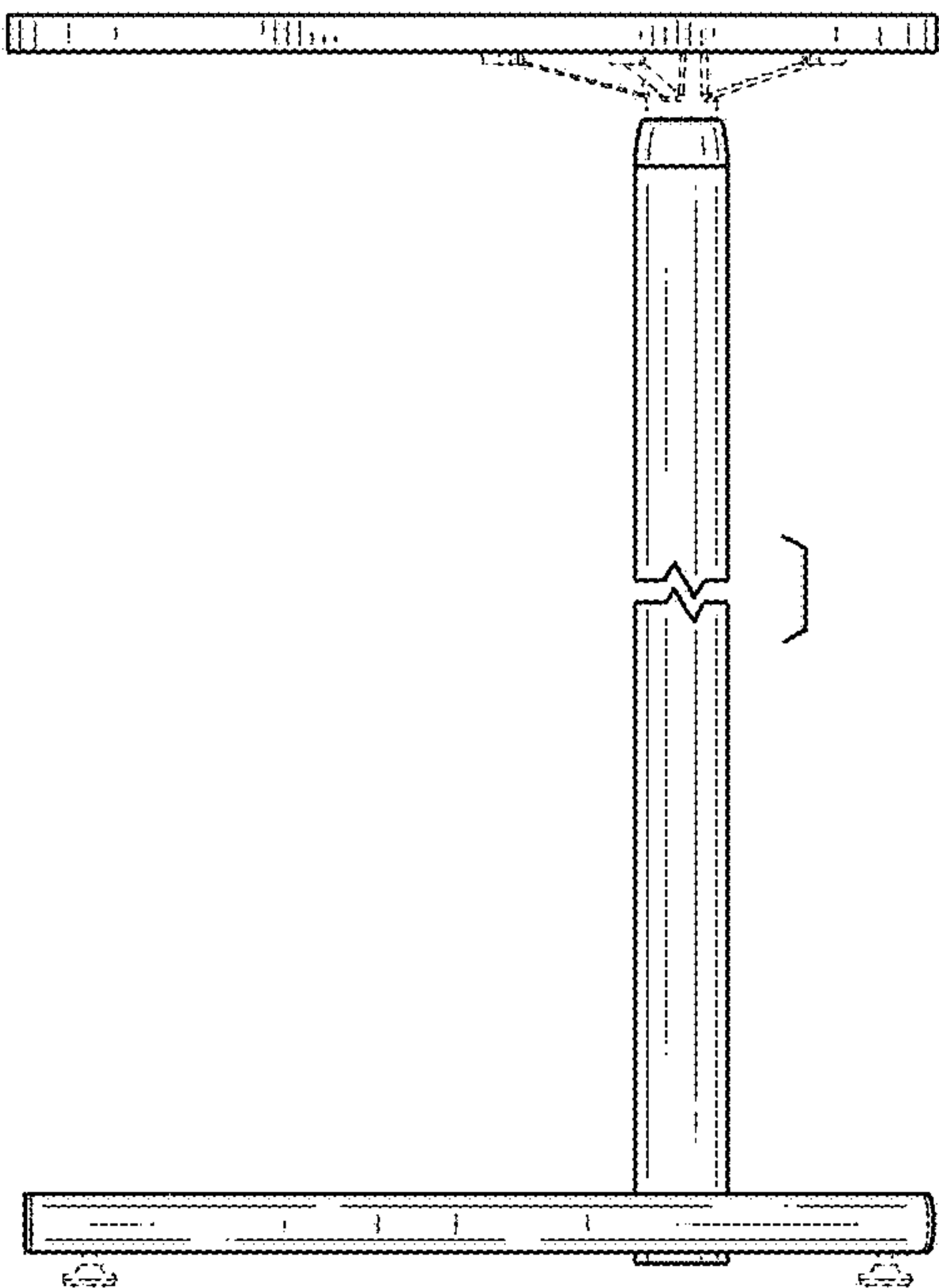


FIG. 4

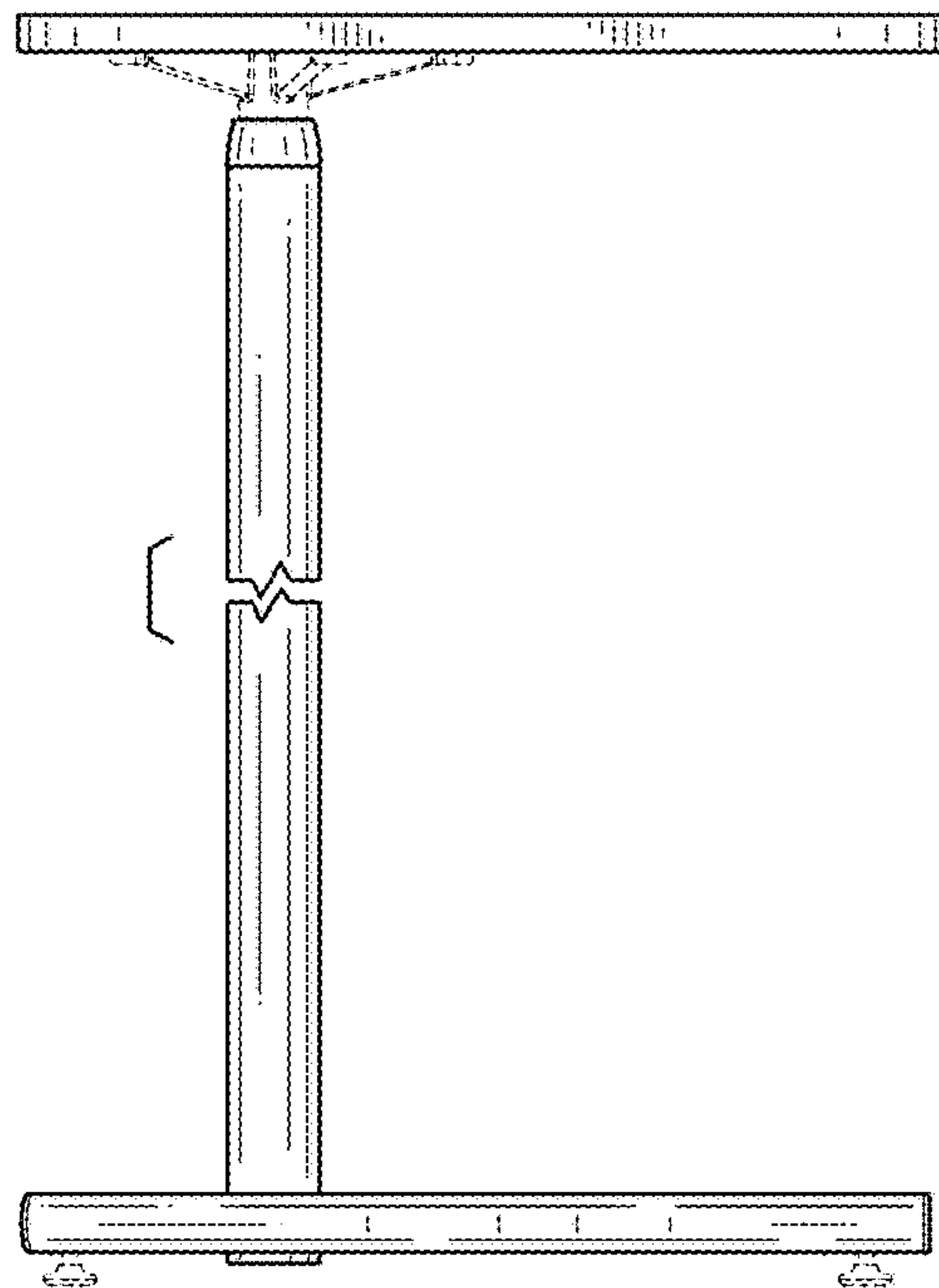


FIG. 5

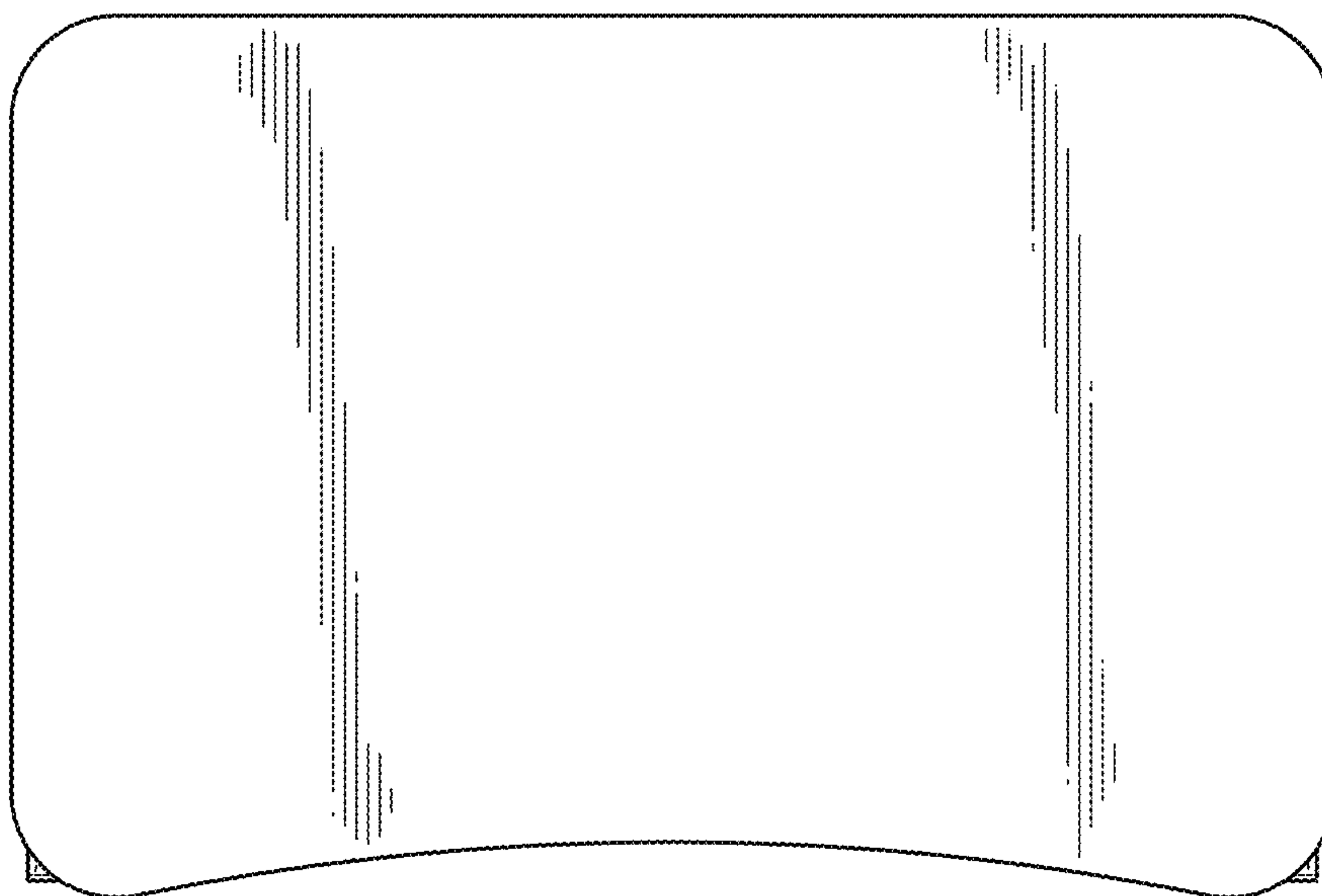


FIG. 6

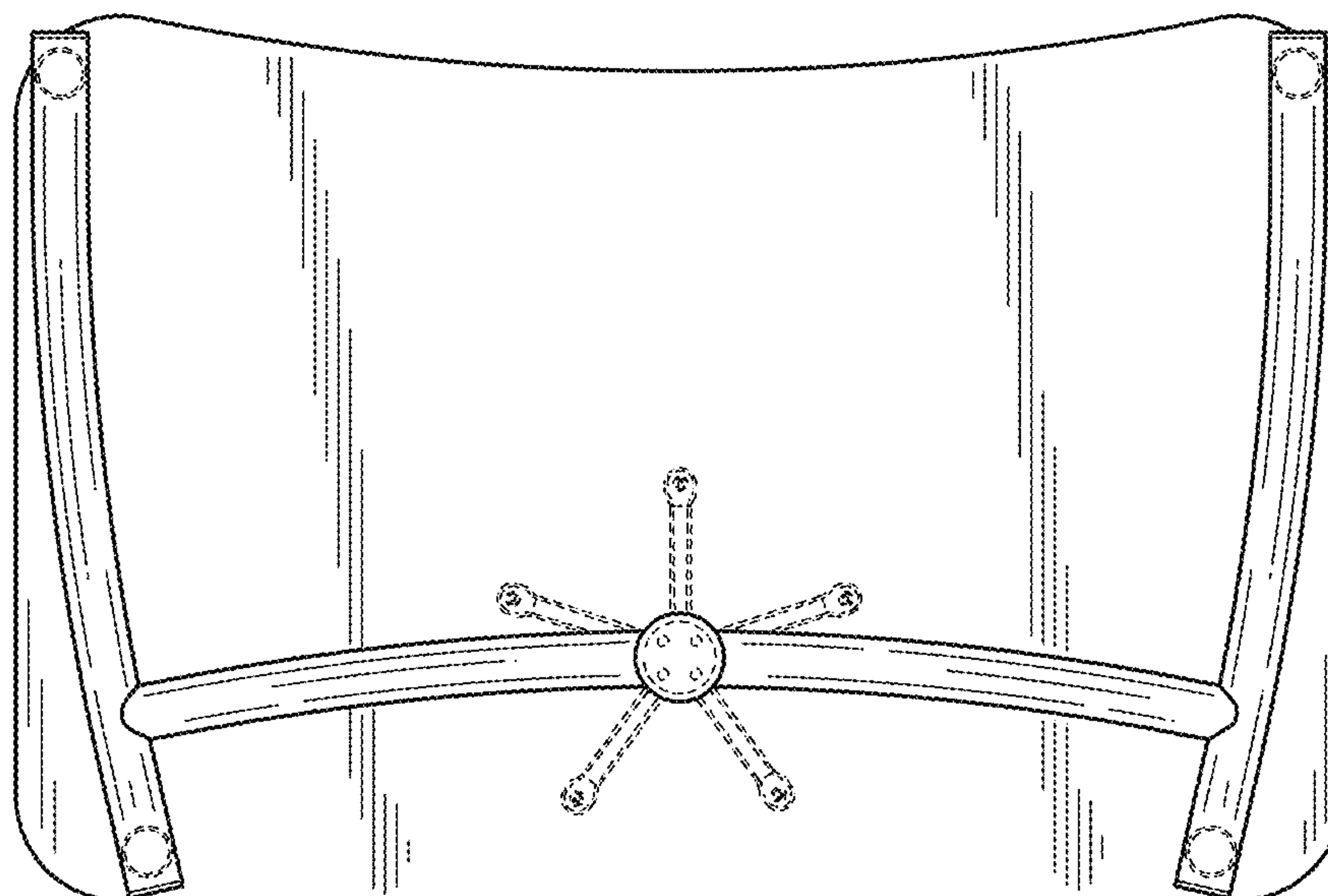


FIG. 7