



US00D819369S

(12) **United States Design Patent**  
**Kang**

(10) **Patent No.:** **US D819,369 S**

(45) **Date of Patent:** **\*\* Jun. 5, 2018**

(54) **SIT-STAND DESK**

(71) Applicant: **Fellowes, Inc.**, Itasca, IL (US)

(72) Inventor: **Richard Kang**, Elgin, IL (US)

(73) Assignee: **Fellowes, Inc.**, Itasca, IL (US)

(\*\*) Term: **15 Years**

(21) Appl. No.: **29/591,554**

(22) Filed: **Jan. 20, 2017**

(51) **LOC (11) Cl.** ..... **06-03**

(52) **U.S. Cl.**  
USPC ..... **D6/642**

(58) **Field of Classification Search**  
USPC ..... D6/642, 663, 671, 677, 687, 690, 691,  
D6/691.1, 691.2, 691.3, 691.4, 691.5,  
D6/693, 689, 691.9, 695, 695.2  
See application file for complete search history.

(56) **References Cited**

U.S. PATENT DOCUMENTS

4,537,646	A	*	8/1985	Hoyle	.....	B29C 63/04
						156/212
5,692,815	A	*	12/1997	Murphy	.....	G06F 3/0395
						108/26
D406,964	S	*	3/1999	Lewis	.....	D6/349
D512,245	S	*	12/2005	Bean	.....	D6/406.3
D517,833	S	*	3/2006	Jennings	.....	D6/406.5
D583,163	S	*	12/2008	Jennings	.....	D6/406.6
D606,788	S	*	12/2009	Goldberg	.....	D6/705

D619,823	S	*	7/2010	Jennings	.....	D6/406.3
D663,546	S	*	7/2012	Jennings	.....	D6/406.3
D701,089	S	*	3/2014	Lee	.....	D7/554.3
D720,152	S	*	12/2014	Chauss	.....	D6/406.3
D731,200	S	*	6/2015	Andersen	.....	D6/406.3
D736,549	S	*	8/2015	Andersen	.....	D6/685
D737,829	S	*	9/2015	Lee	.....	D14/447
D778,653	S	*	2/2017	Spoelhof	.....	D6/707.22

\* cited by examiner

*Primary Examiner* — Mary Ann Calabrese

*Assistant Examiner* — Sloan Rozin

(74) *Attorney, Agent, or Firm* — Wood, Phillips, Katz,  
Clark & Mortimer

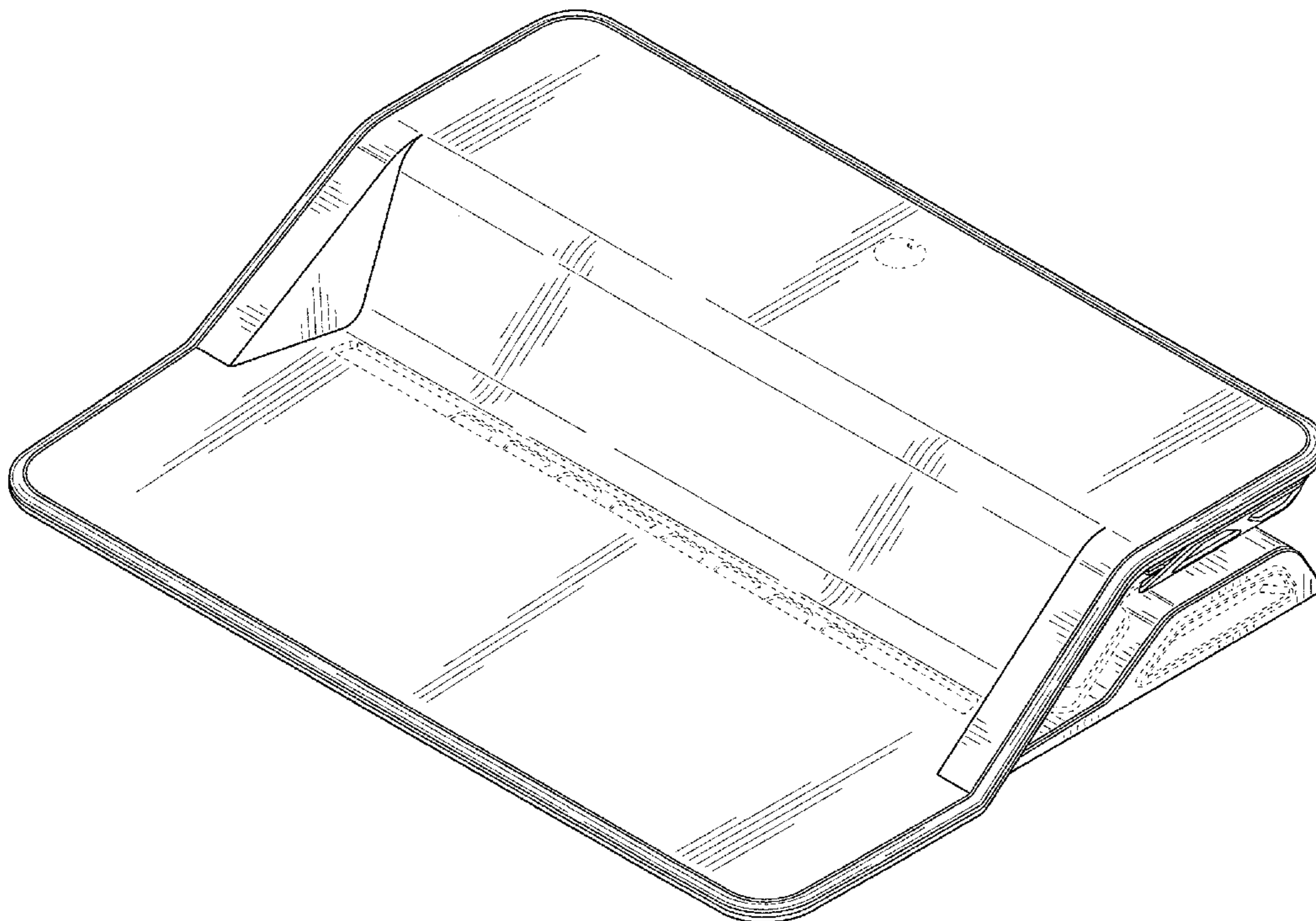
(57) **CLAIM**

The ornamental design for a sit-stand desk, substantially as shown and described.

**DESCRIPTION**

FIG. 1 is a right front top perspective view of a sit-stand desk showing my new design;  
FIG. 2 is a front elevational view thereof;  
FIG. 3 is a rear elevational view thereof;  
FIG. 4 is a right side elevational view thereof;  
FIG. 5 is a left side elevational view thereof;  
FIG. 6 is a top plan view thereof;  
FIG. 7 is a bottom plan view thereof; and,  
FIG. 8 is a left rear bottom perspective view thereof.  
The portions of the sit-stand desk shown in dotted lines do not constitute a part of the claimed design.

**1 Claim, 6 Drawing Sheets**



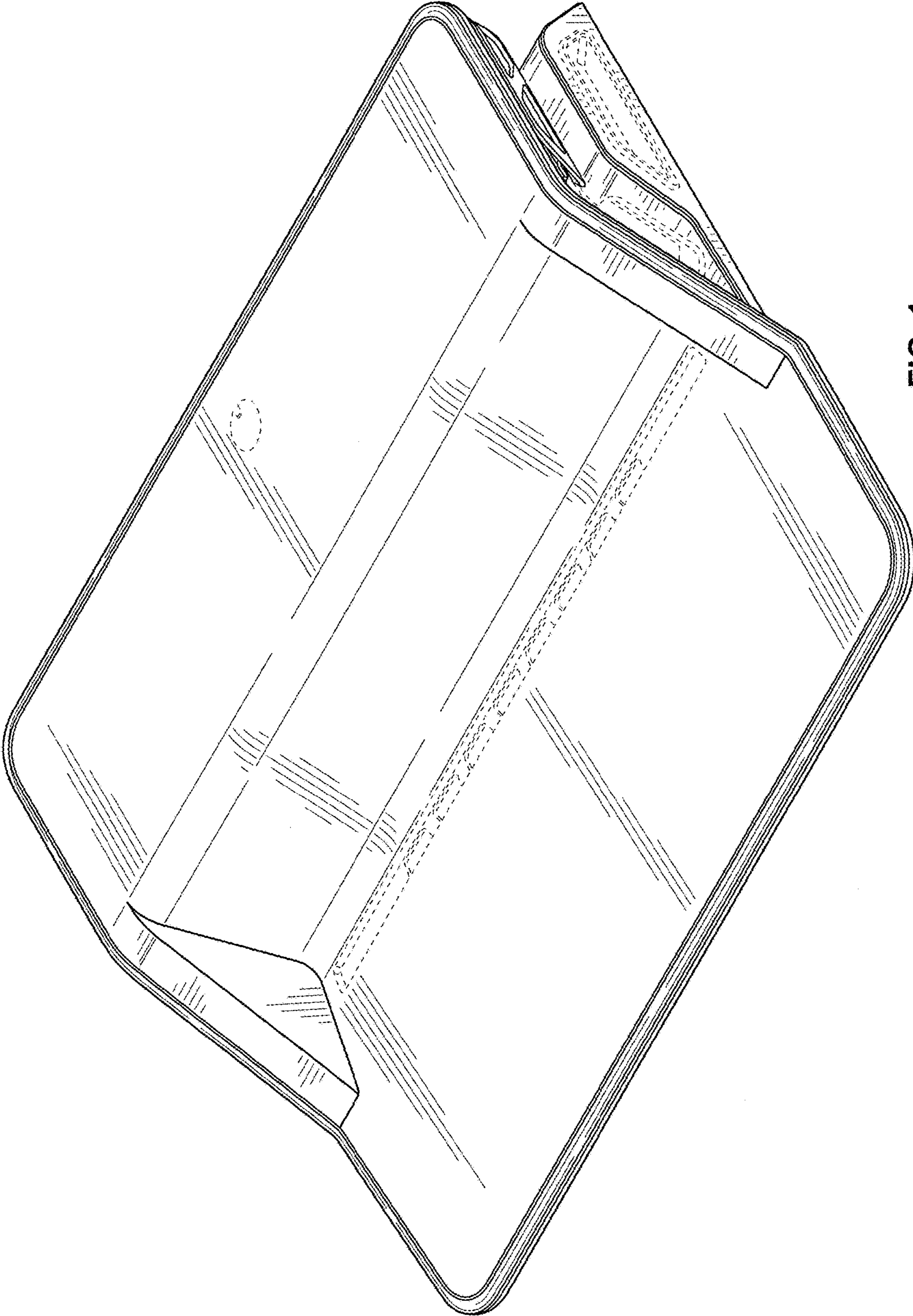


FIG. 1

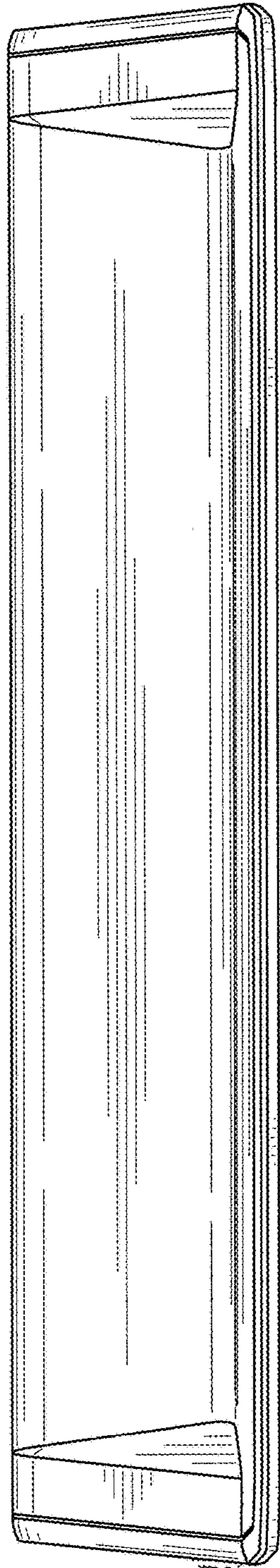


FIG. 2

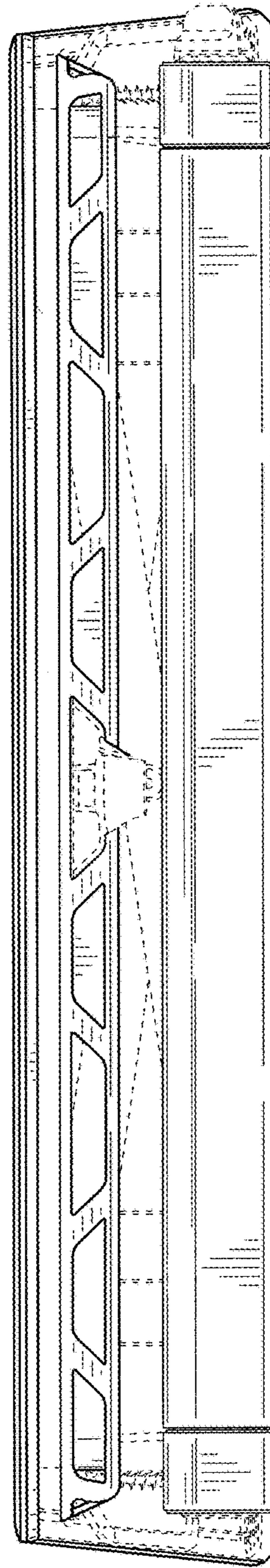


FIG. 3

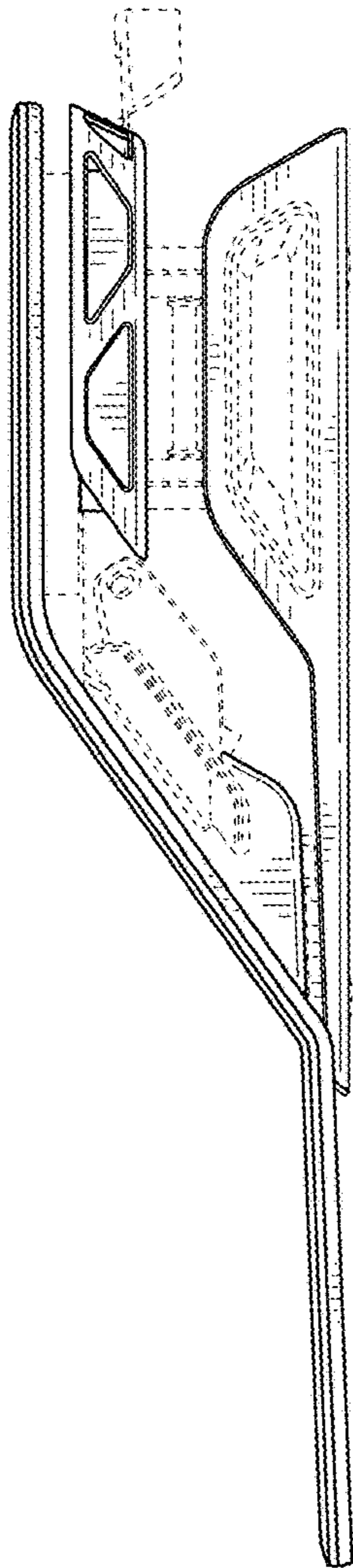


FIG. 4

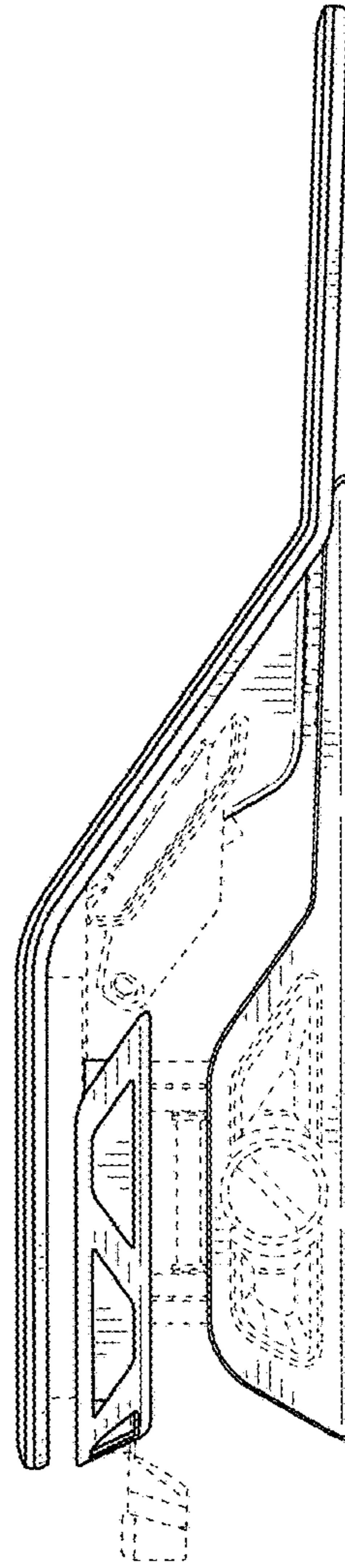


FIG. 5

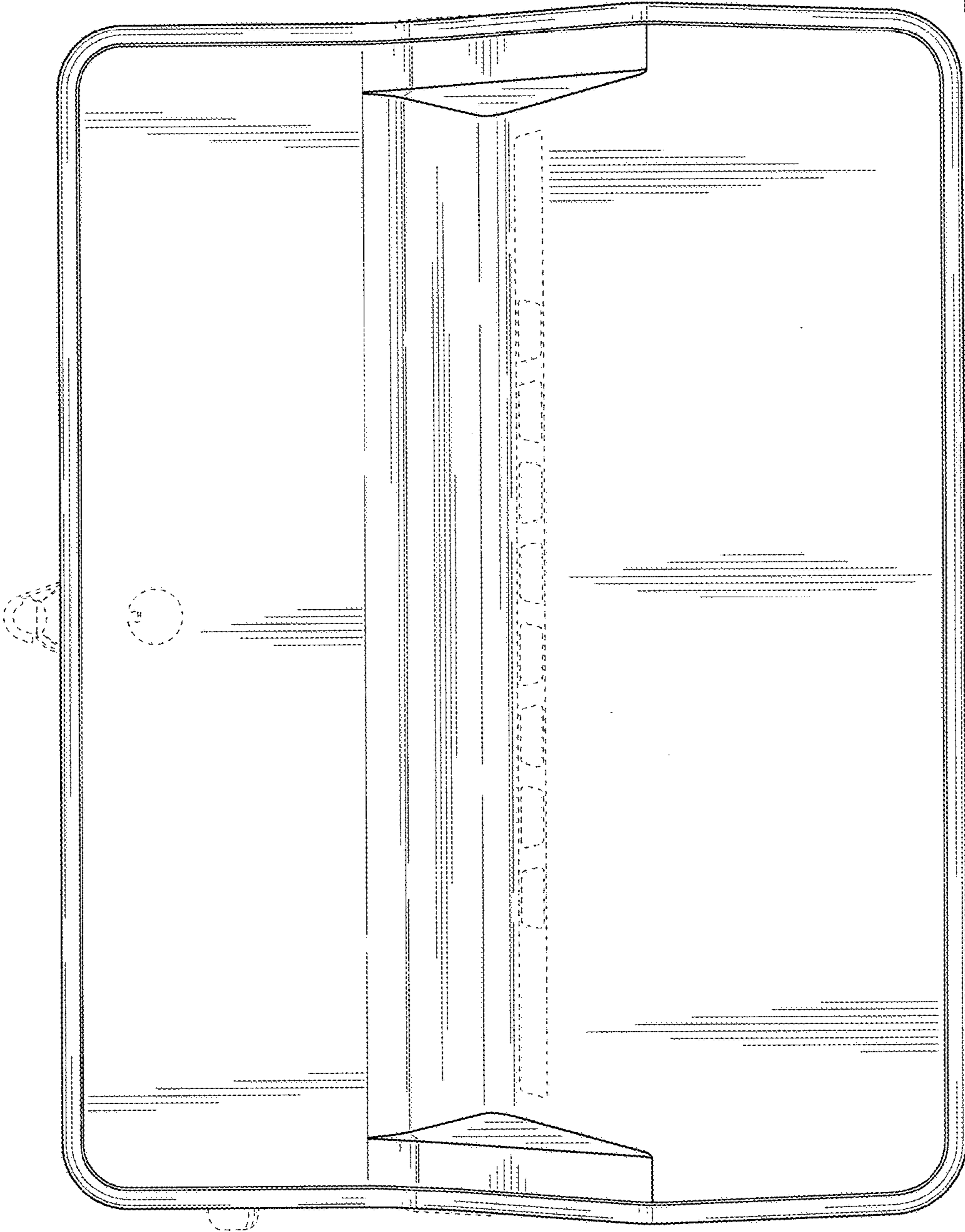


FIG. 6

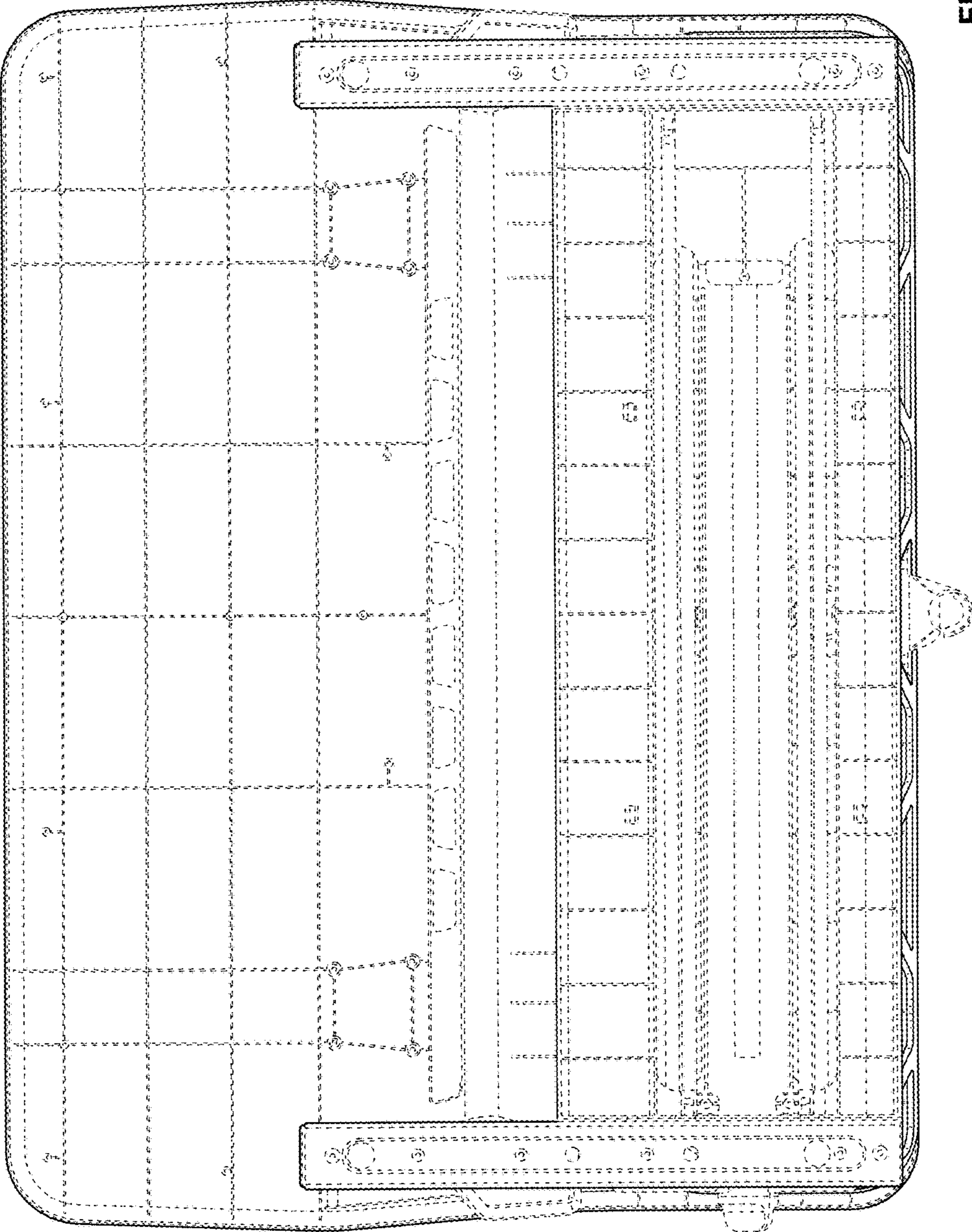


FIG. 7

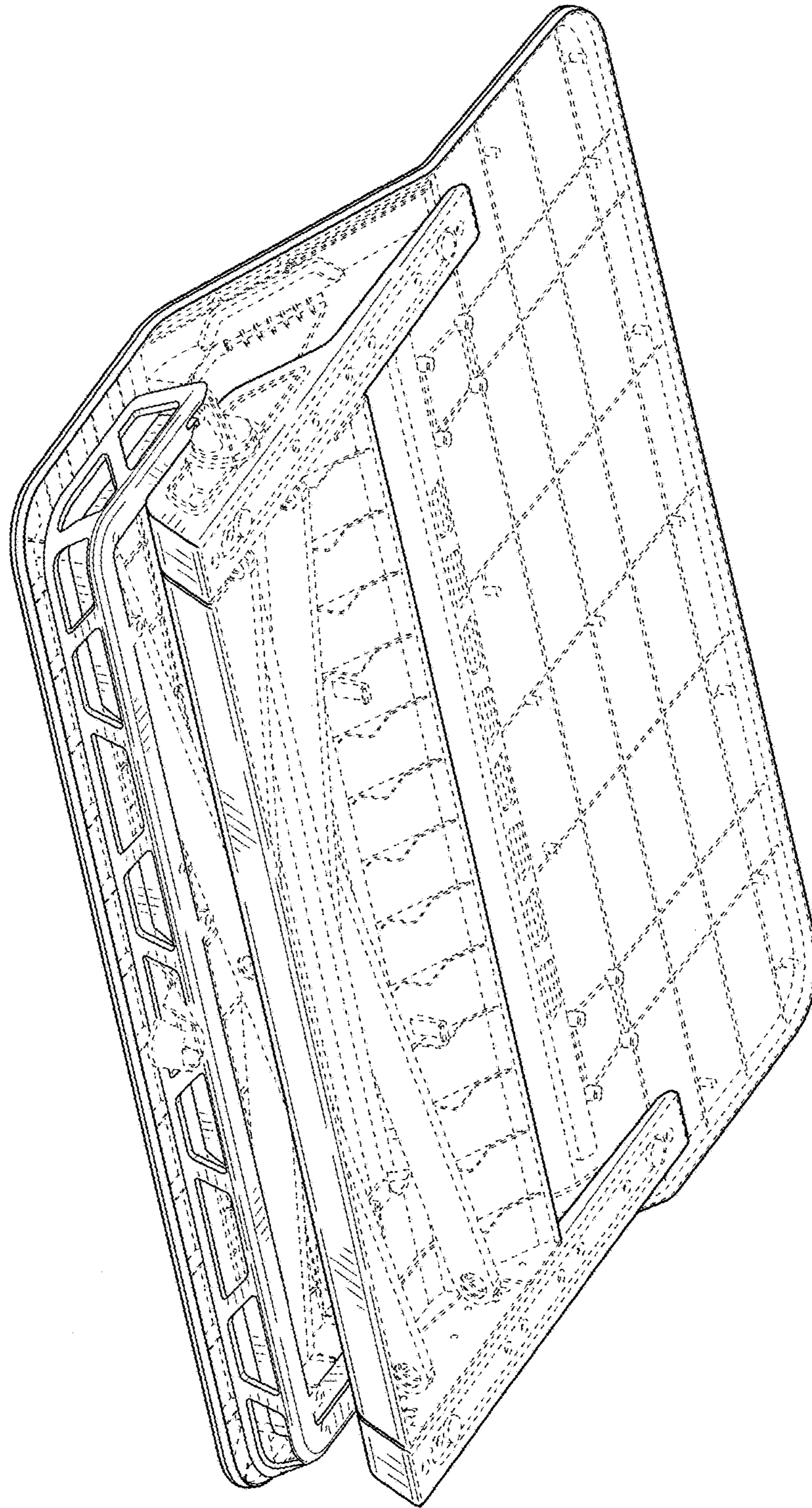


FIG. 8