



US00D819368S

(12) **United States Design Patent** (10) **Patent No.:** **US D819,368 S**
Zemel et al. (45) **Date of Patent:** **** Jun. 5, 2018**

(54) **GRILL COVER**
(71) Applicant: **Blue Rhino Global Sourcing, Inc.**,
Liberty, MO (US)
(72) Inventors: **Marc Zemel**, Melville, NY (US);
Adam Schillen, Dix Hills, NY (US)
(73) Assignee: **BLUE RHINO GLOBAL**
SOURCING, INC., Liberty, MO (US)

D549,032 S * 8/2007 Goudeau D6/610
7,866,358 B1 1/2011 Simms, II
D744,378 S * 12/2015 Bell D12/106
9,468,337 B2 * 10/2016 Simon A47J 37/0786
D779,680 S * 2/2017 Michael D25/56
9,596,958 B1 * 3/2017 Murphy A47J 37/0786
2002/0179211 A1 * 12/2002 Neal A45C 3/06
150/130
2007/0283946 A1 12/2007 Maruzzo et al.
2014/0113044 A1 * 4/2014 McIntire A47J 37/0786
426/416

(**) Term: **15 Years**

(21) Appl. No.: **29/555,543**

(22) Filed: **Feb. 23, 2016**

(51) **LOC (11) Cl.** **06-13**

(52) **U.S. Cl.**
USPC **D6/610**

(58) **Field of Classification Search**
USPC D7/402, 403, 323, 339, 347, 354, 361,
D7/362, 368, 667, 668, 669, 674, 677,
D7/688, 690, 692, 695, 369, 387, 388,
D7/396.6, 407, 213, 409, 416, 332;
D6/610

CPC A21B 1/48; A47J 37/0786
See application file for complete search history.

(56) **References Cited**

U.S. PATENT DOCUMENTS

D224,782 S * 9/1972 Kerr D12/401
6,263,648 B1 * 7/2001 Carlson B60J 11/00
150/166
6,328,083 B1 * 12/2001 Esterson A47J 37/0786
150/154
D466,752 S 12/2002 Rowe et al.
D476,518 S * 7/2003 Doppelt D6/610
D483,212 S * 12/2003 Trickett D6/610
6,863,100 B2 * 3/2005 Neal A47J 37/0786
150/154
7,152,733 B2 * 12/2006 Trickett A47J 37/0786
135/126

OTHER PUBLICATIONS

Blue Rhino—07800AA, [online], [site visited Oct. 18, 2017].
Available from Internet, URL:https://www.bluerhino.com/Outdoor-
Living-Products/Armor-All/Armor-All-Grill-Covers/07800AA.
aspx.*

(Continued)

Primary Examiner — Caron D Veynar
Assistant Examiner — Katrina N Gonzalez
(74) *Attorney, Agent, or Firm* — Carter, DeLuca, Farrell
& Schmidtl LLP

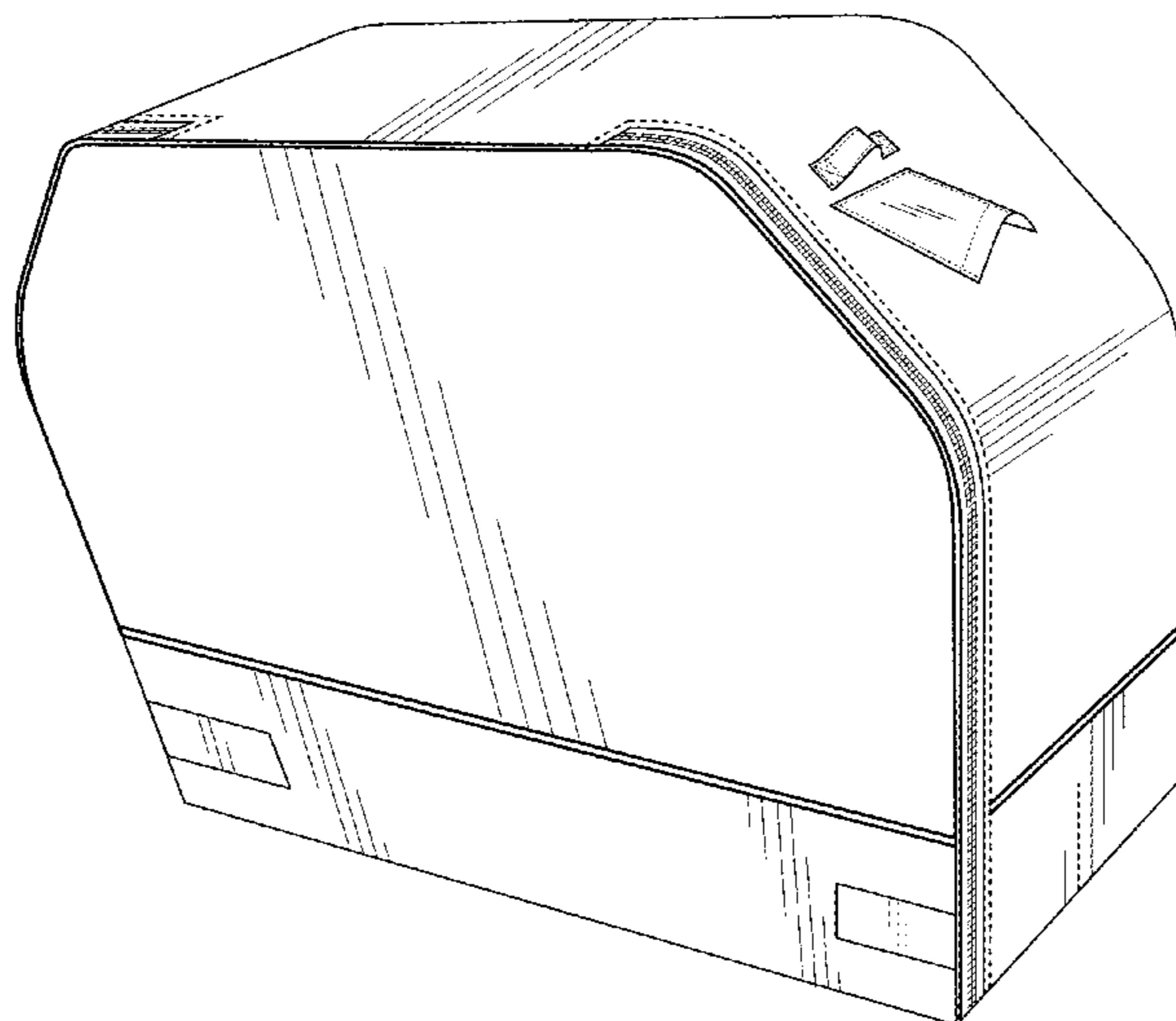
(57) **CLAIM**

The ornamental design for a grill cover, as shown and
described.

DESCRIPTION

FIG. 1 is a front right perspective view of a grill cover in
accordance with the present design;
FIG. 2 is a front side elevational view thereof;
FIG. 3 is a rear side elevational view thereof;
FIG. 4 is a right side elevational view thereof;
FIG. 5 is a left side elevational view thereof; and,
FIG. 6 is a top plan view thereof.
The broken lines shown illustrate stitching and form no part
of the claimed design.

1 Claim, 6 Drawing Sheets



(56)

References Cited

OTHER PUBLICATIONS

Grill Cover 58x25x45 Blk—Newegg, [online], [site visited Oct. 18, 2017]. Available from Internet, URL:<https://www.newegg.com/Product/Product.aspx>.*

Classic Accessories Veranda BBQ Cart Cover, [online], [site visited Oct. 18, 2017]. Available from Internet, URL:<https://www.bedbathandbeyond.com/store/product/classic-accessories-reg-veranda-bbq-cart-cover/129147>.*

Classic Accessories BBQ Grill Cover , [online], [site visited Oct. 18, 2017]. Available from Internet, URL:<https://www.bedbathandbeyond.com/store/product/classic-accessories-reg-bbq-grill-cover/3268458>.*

Grey—Bed Bath & Beyond, [online], [site visited Oct. 18, 2017]. Available from Internet, URL:<https://www.bedbathandbeyond.com/store/product/classic-accessories-reg-veranda-fadesafe-bbq-grill-cover-in-black-grey/3331203>.*

* cited by examiner

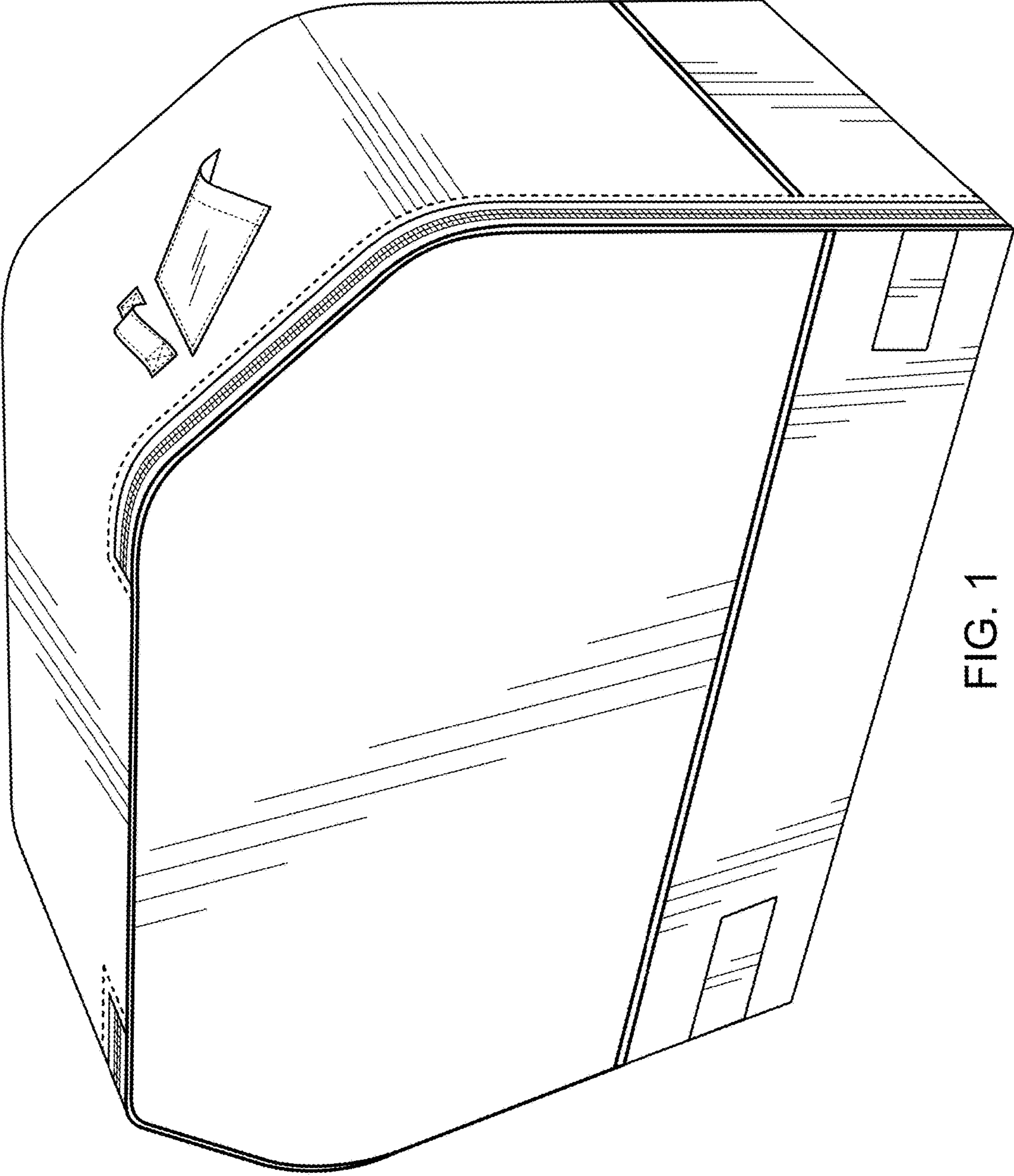


FIG. 1

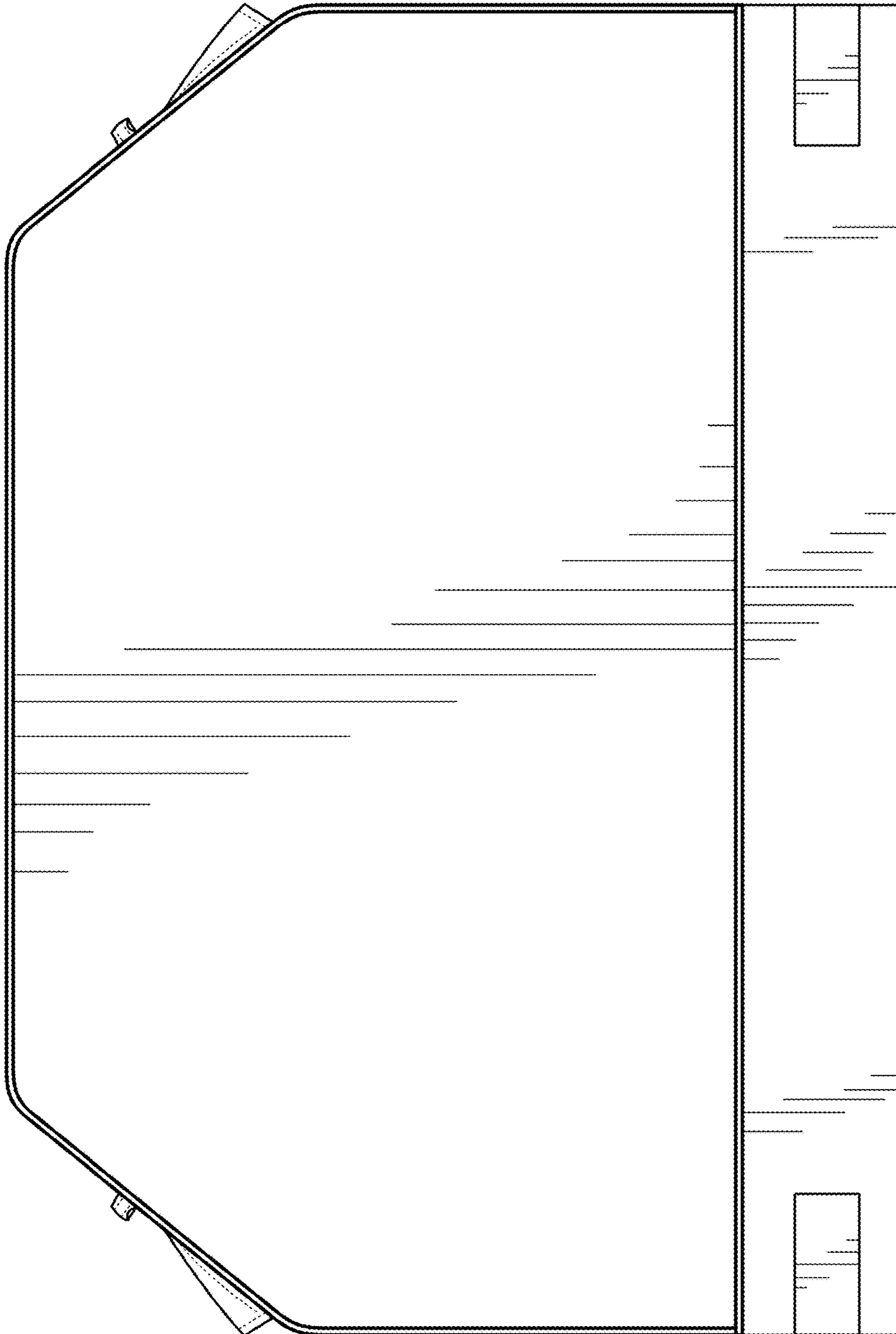


FIG. 2

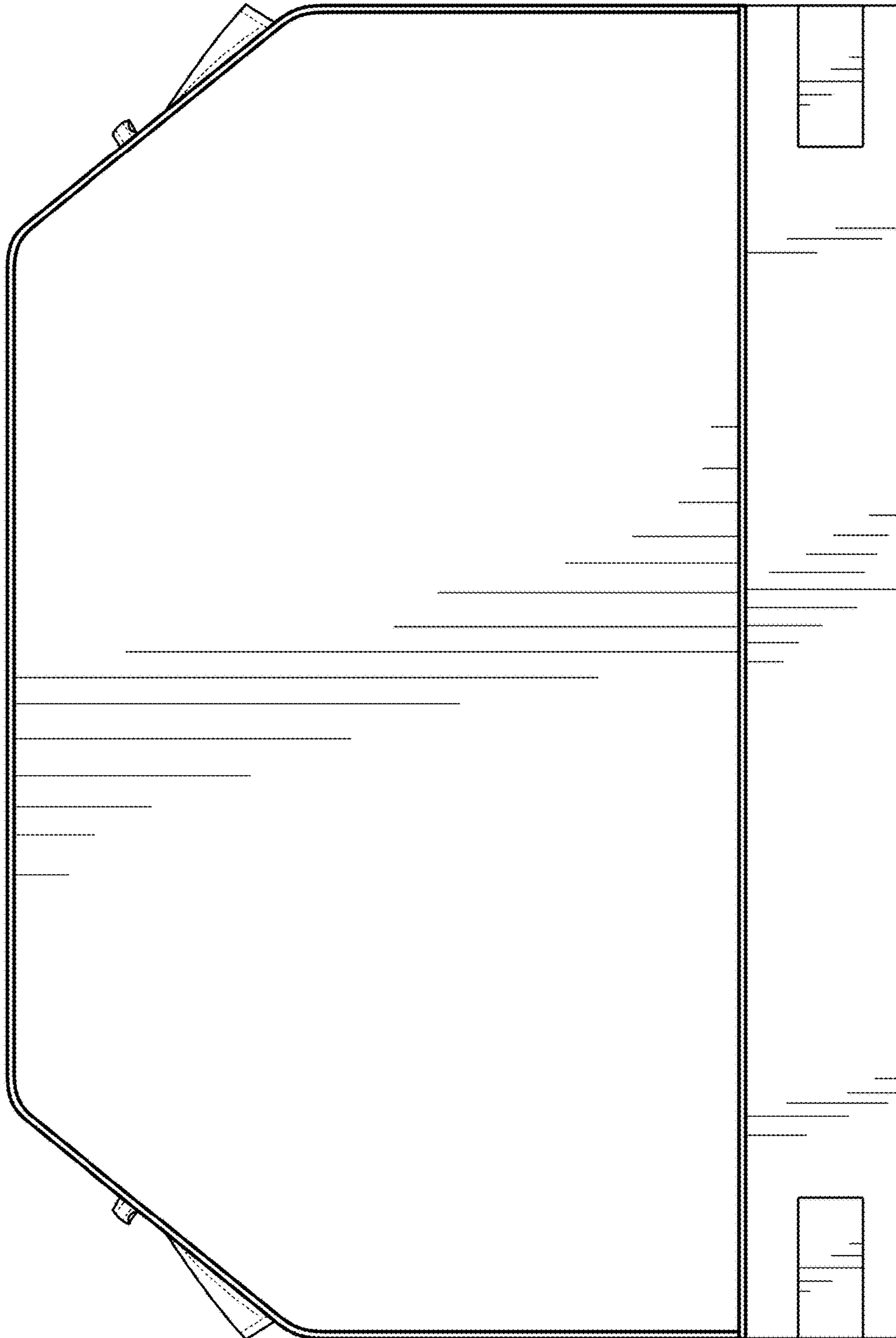


FIG. 3

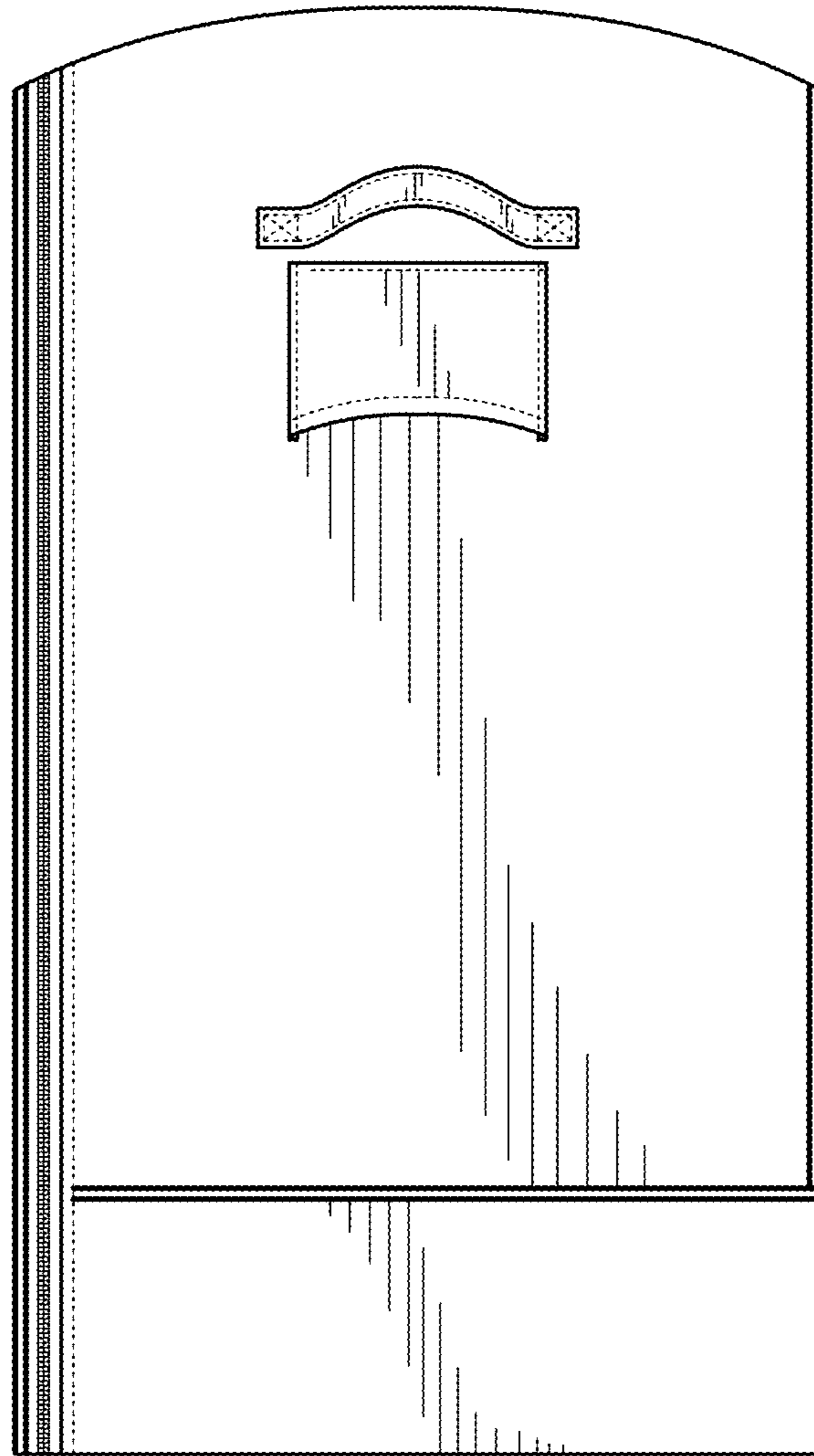


FIG. 4

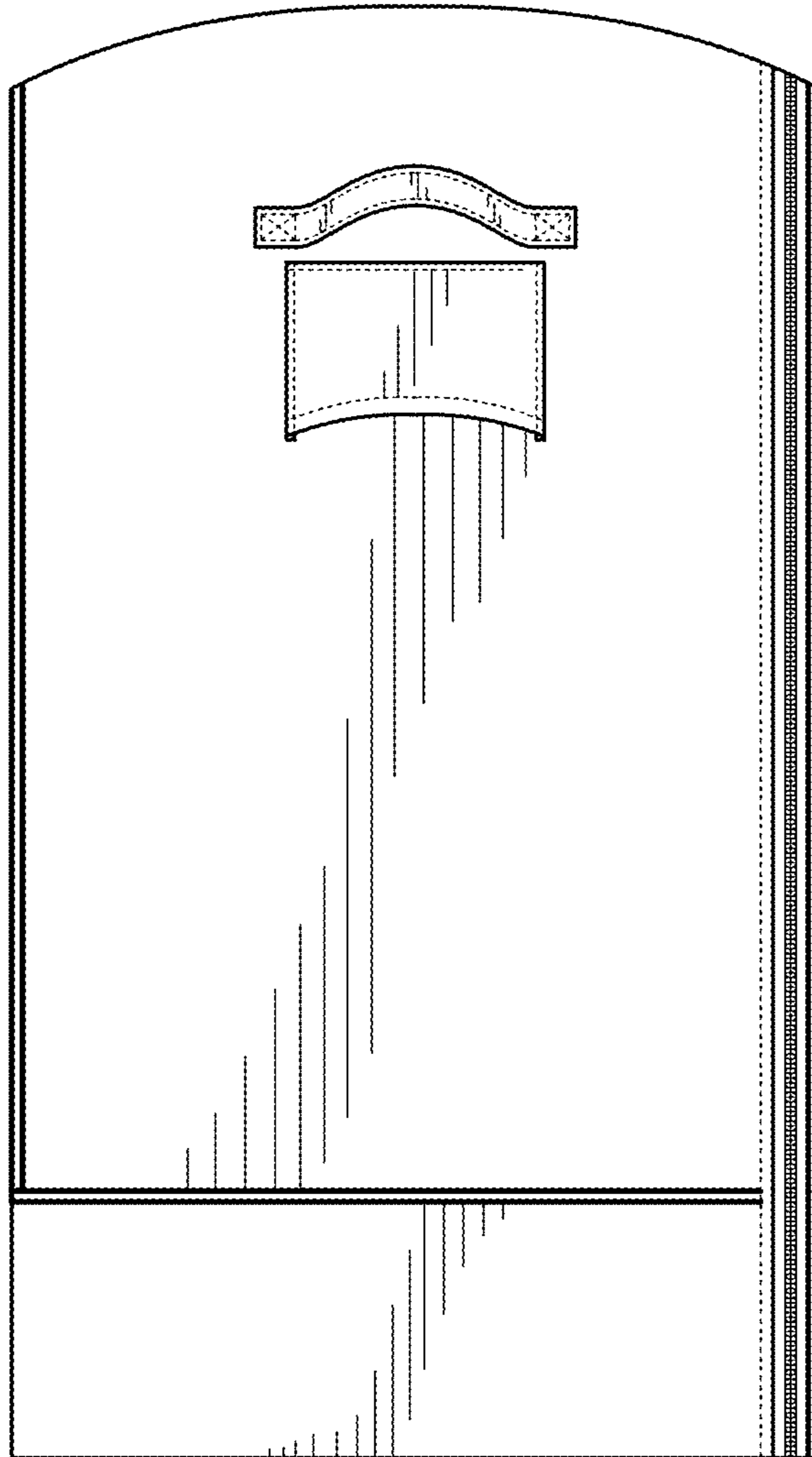


FIG. 5

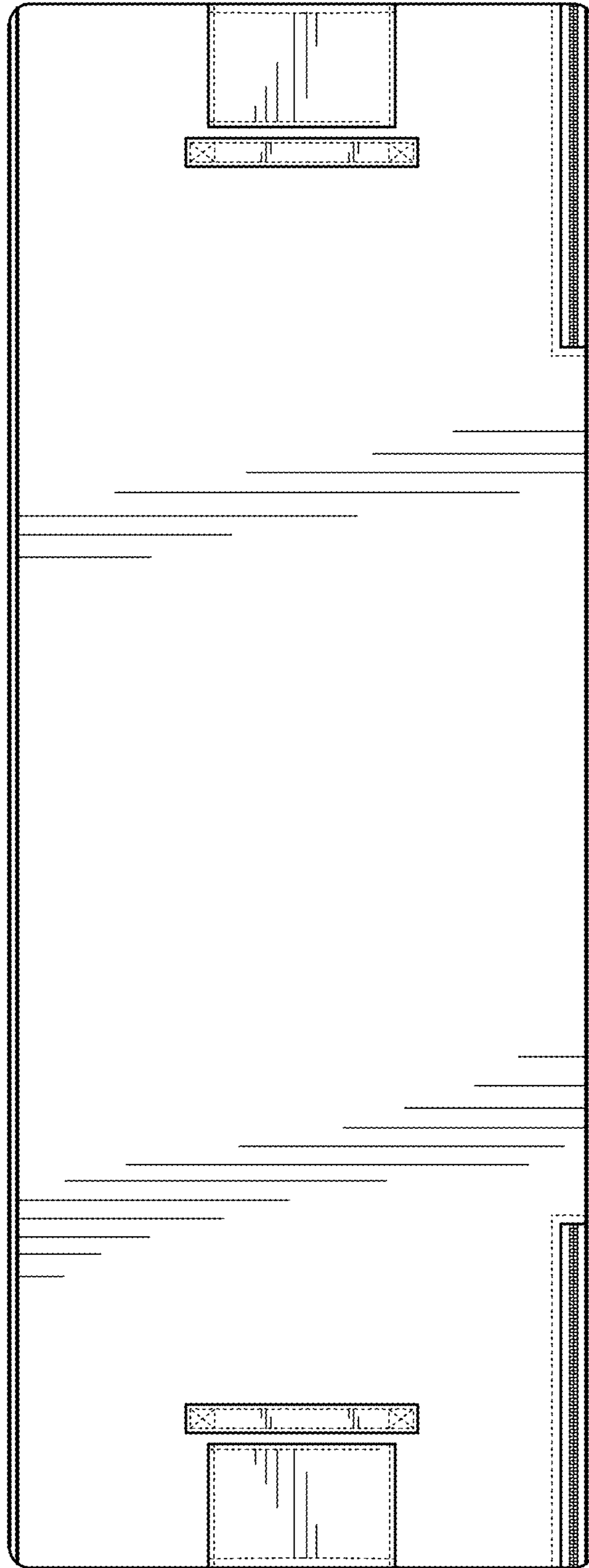


FIG. 6