



US00D819363S

(12) **United States Design Patent**
Kenjora et al.

(10) **Patent No.:** **US D819,363 S**
(45) **Date of Patent:** **** Jun. 5, 2018**

- (54) **KITCHENWARE HANGER**
- (71) Applicants: **Paul Kenjora**, Phoenix, AZ (US);
Nerijus Baronas, Tempe, AZ (US)
- (72) Inventors: **Paul Kenjora**, Phoenix, AZ (US);
Nerijus Baronas, Tempe, AZ (US)
- (**) Term: **15 Years**
- (21) Appl. No.: **29/587,543**
- (22) Filed: **Dec. 14, 2016**
- (51) **LOC (11) Cl.** **06-06**
- (52) **U.S. Cl.**
USPC **D6/569**
- (58) **Field of Classification Search**
USPC D6/569, 315, 317, 320, 324, 325,
D6/512-514, 522, 548, 549, 566, 570,
D6/574; D21/692; 206/202, 513, 557;
211/13.1, 34-39, 41.3, 41.4, 85.3, 86.01,
211/88.01, 113, 117, 134, 126.1, 181.1;
220/485, 488; 248/302, 309.2
CPC A47J 47/16; A47B 81/04; A47B 77/14;
A47B 49/006
See application file for complete search history.

D499,284 S * 12/2004 Rafoth D6/513
D661,526 S 6/2012 Evans
D728,961 S * 5/2015 Marois D6/513

* cited by examiner

Primary Examiner — Wan Laymon
Assistant Examiner — Mark Booker
(74) *Attorney, Agent, or Firm* — Dunlap Bennett &
Ludwig PLLC; Brendan E. Squire

(57) **CLAIM**

The ornamental design for a kitchenware hanger, as shown and described.

DESCRIPTION

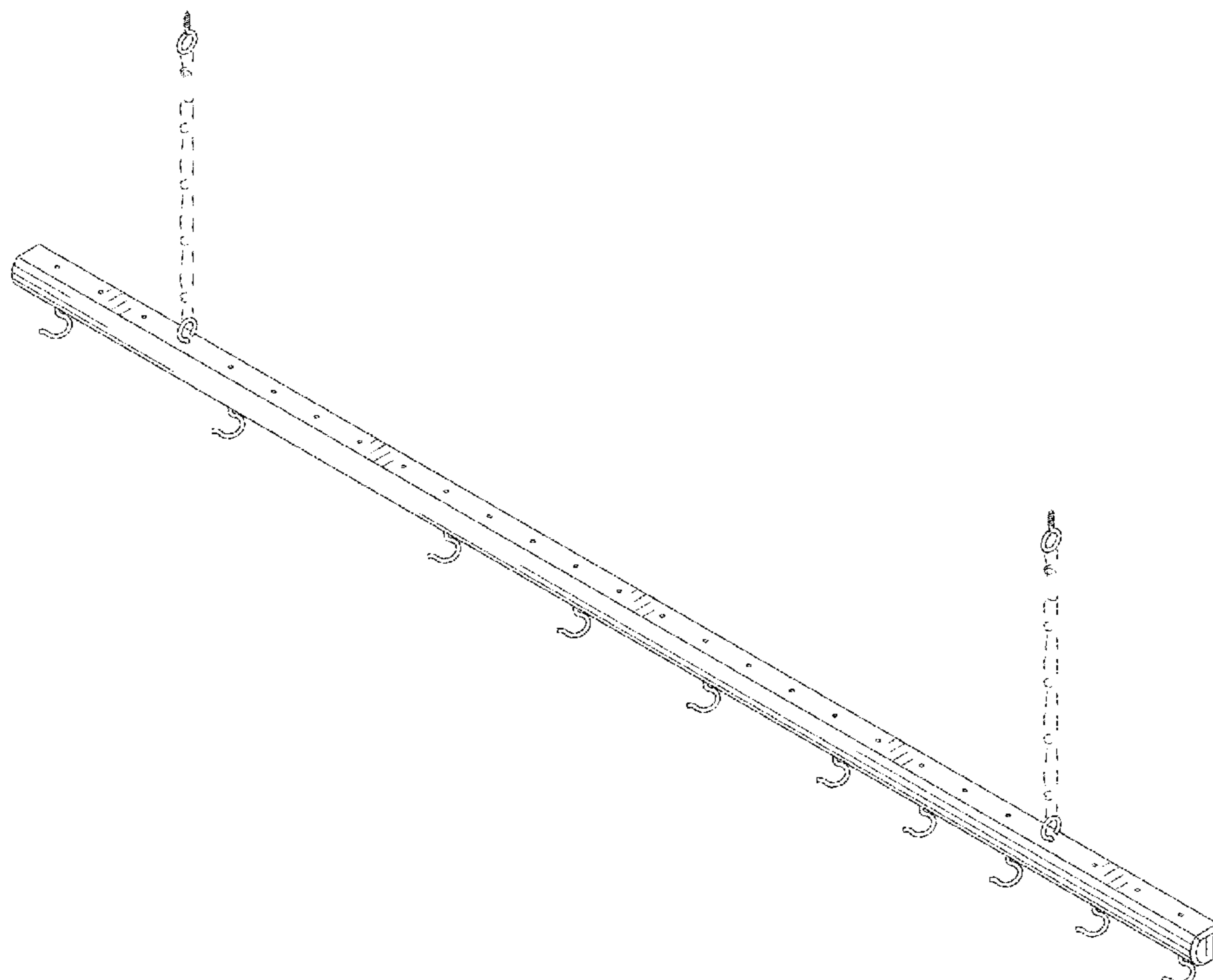
FIG. 1 is a top front perspective view of the kitchenware hanger showing our new design;
FIG. 2 is a front elevation view thereof;
FIG. 3 is a rear elevation view thereof;
FIG. 4 is a right elevation view thereof;
FIG. 5 is a left elevation view thereof;
FIG. 6 is a top elevation view thereof;
FIG. 7 is a bottom elevation view thereof;
FIG. 8 a top front perspective view thereof, shown in use;
FIG. 9 is a top front perspective view of the kitchenware hanger, shown in an alternate arrangement; and,
FIG. 10 is a top front perspective view of the kitchenware hanger, shown in an alternate arrangement.
The broken lines shown in the drawings illustrate portions of the kitchenware hanger that form no part of the claimed design.
The broken lines in FIG. 8 showing the kitchenware hanger in use illustrates environment and forms no part of the claim.

1 Claim, 6 Drawing Sheets

(56) **References Cited**

U.S. PATENT DOCUMENTS

D353,502 S * 12/1994 Liu D6/514
D392,133 S * 3/1998 Chen D6/513
D406,972 S * 3/1999 McCoy D6/513
D474,933 S * 5/2003 Kaposi D6/569



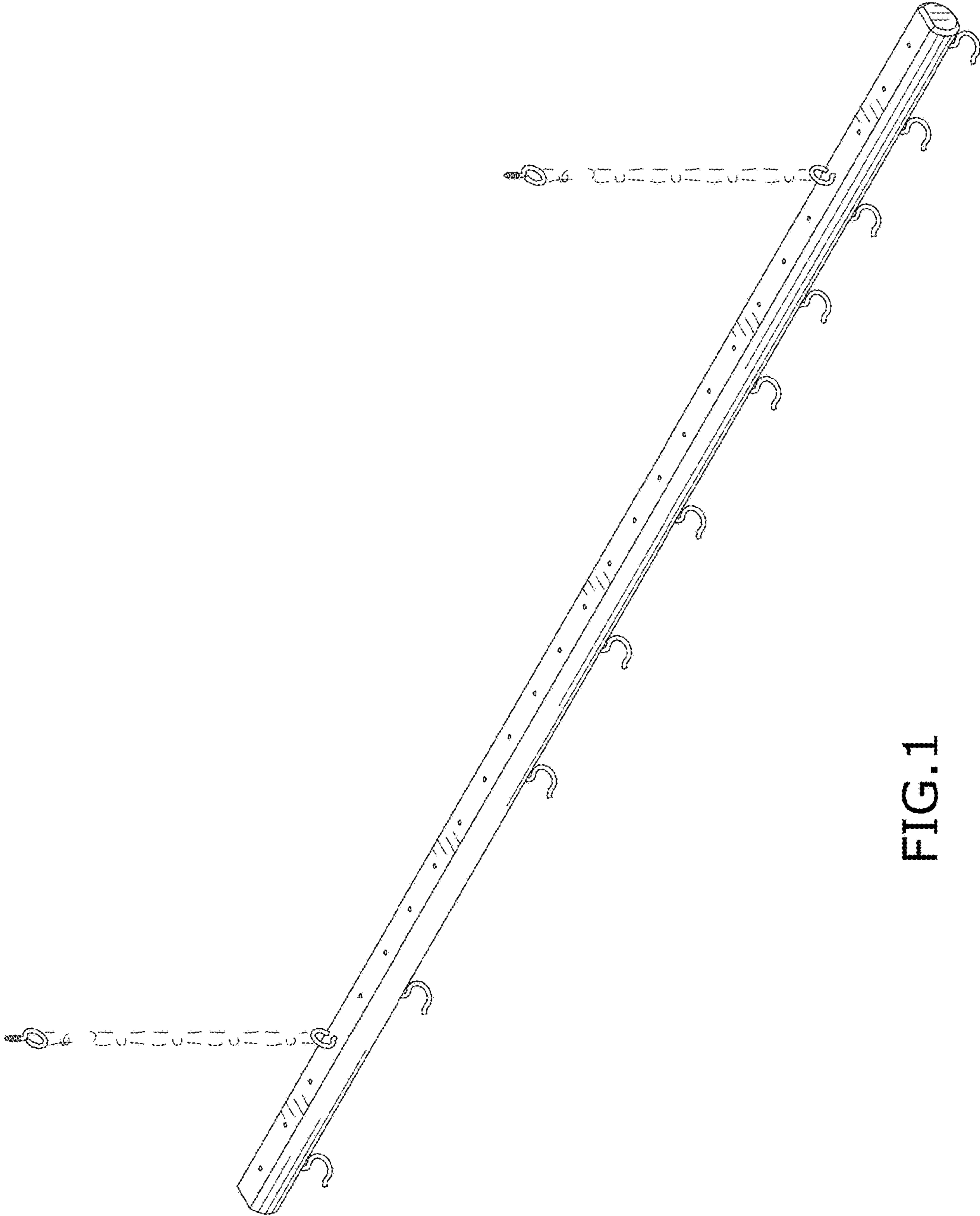


FIG.1

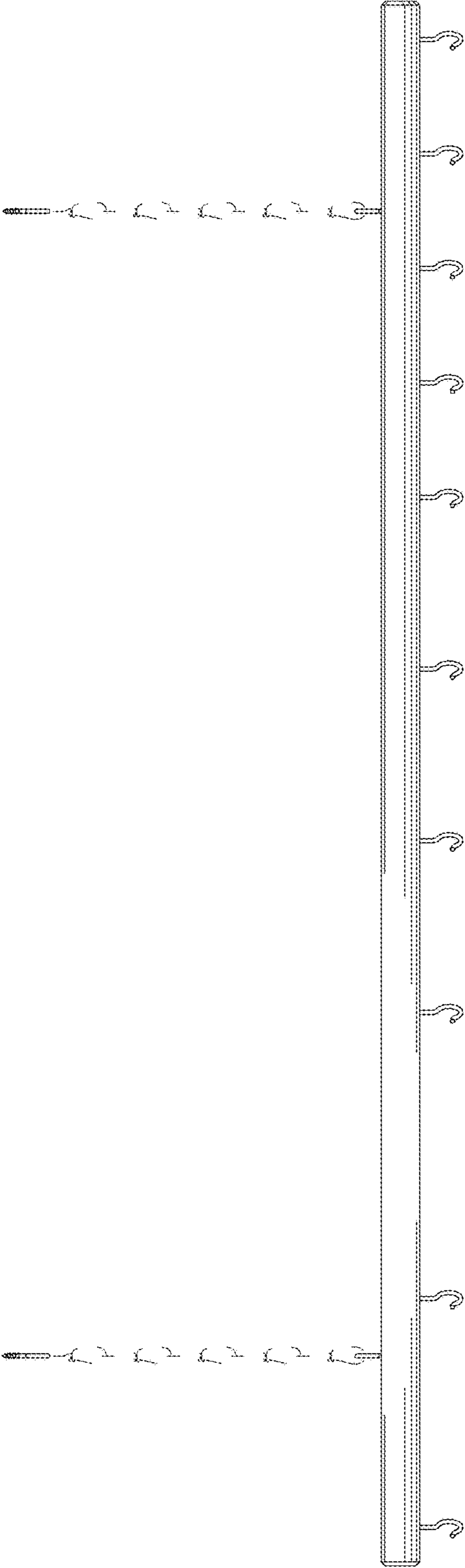


FIG. 2

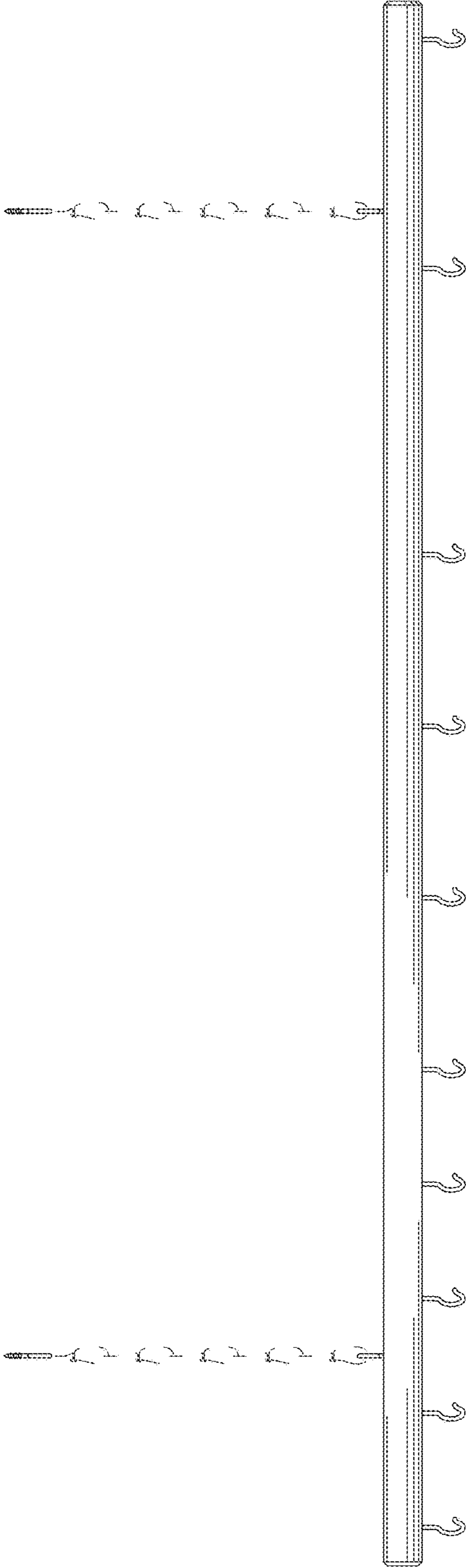


FIG. 3

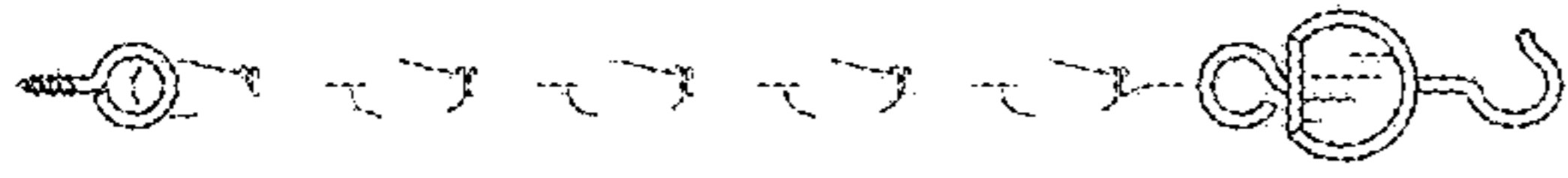


FIG. 4

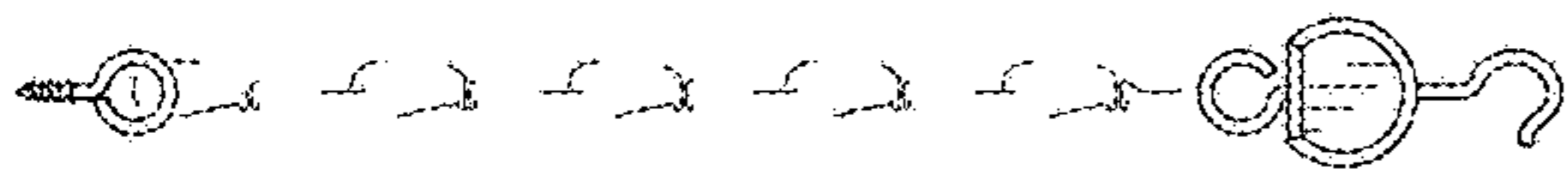


FIG. 5

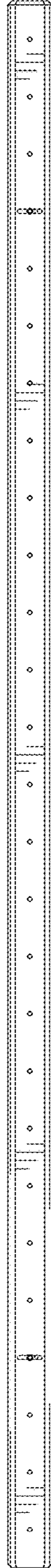


FIG. 6

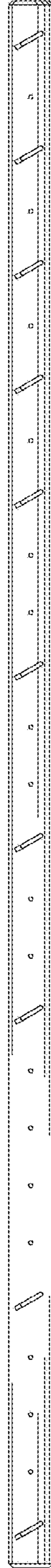


FIG. 7

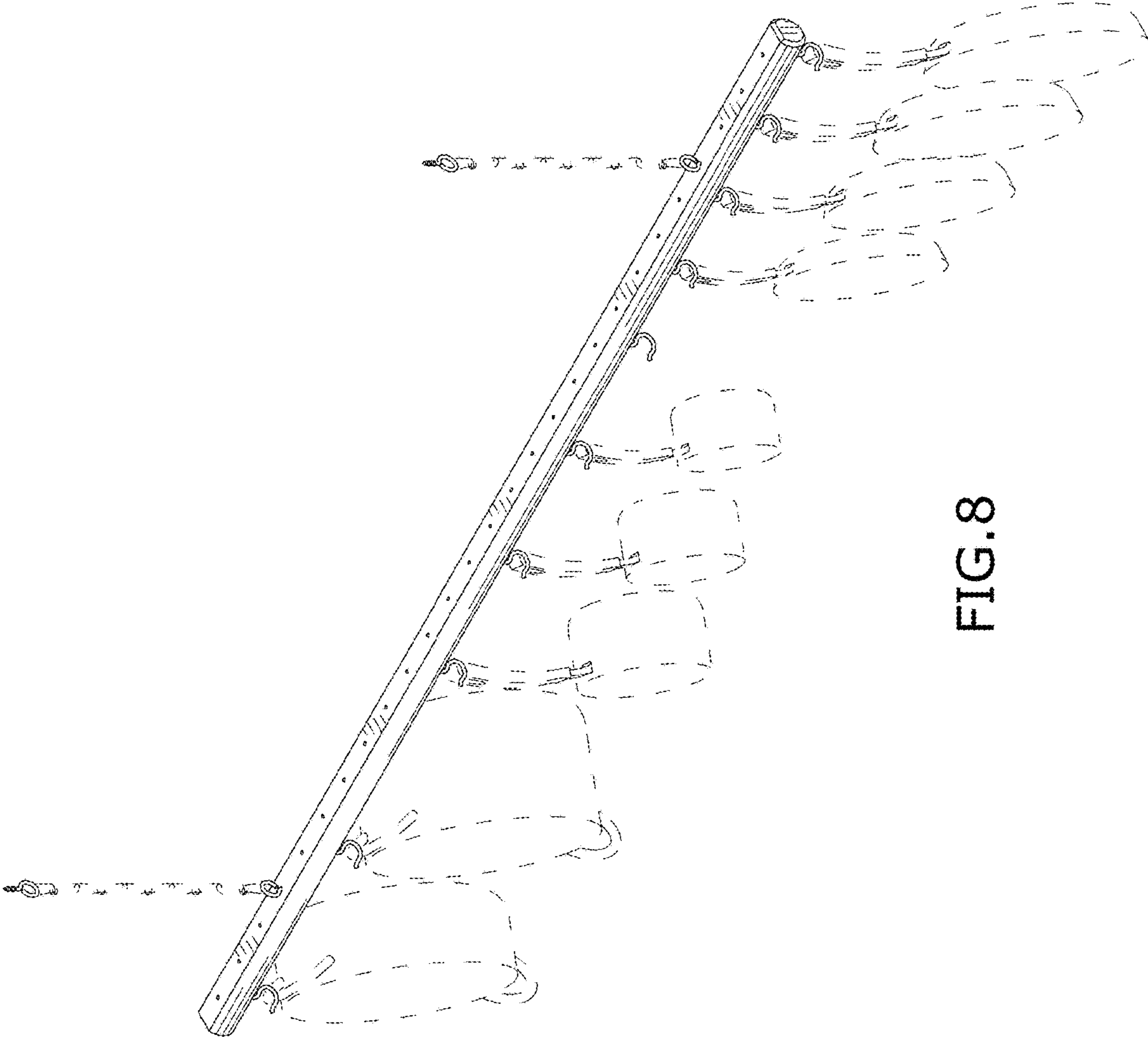


FIG.8

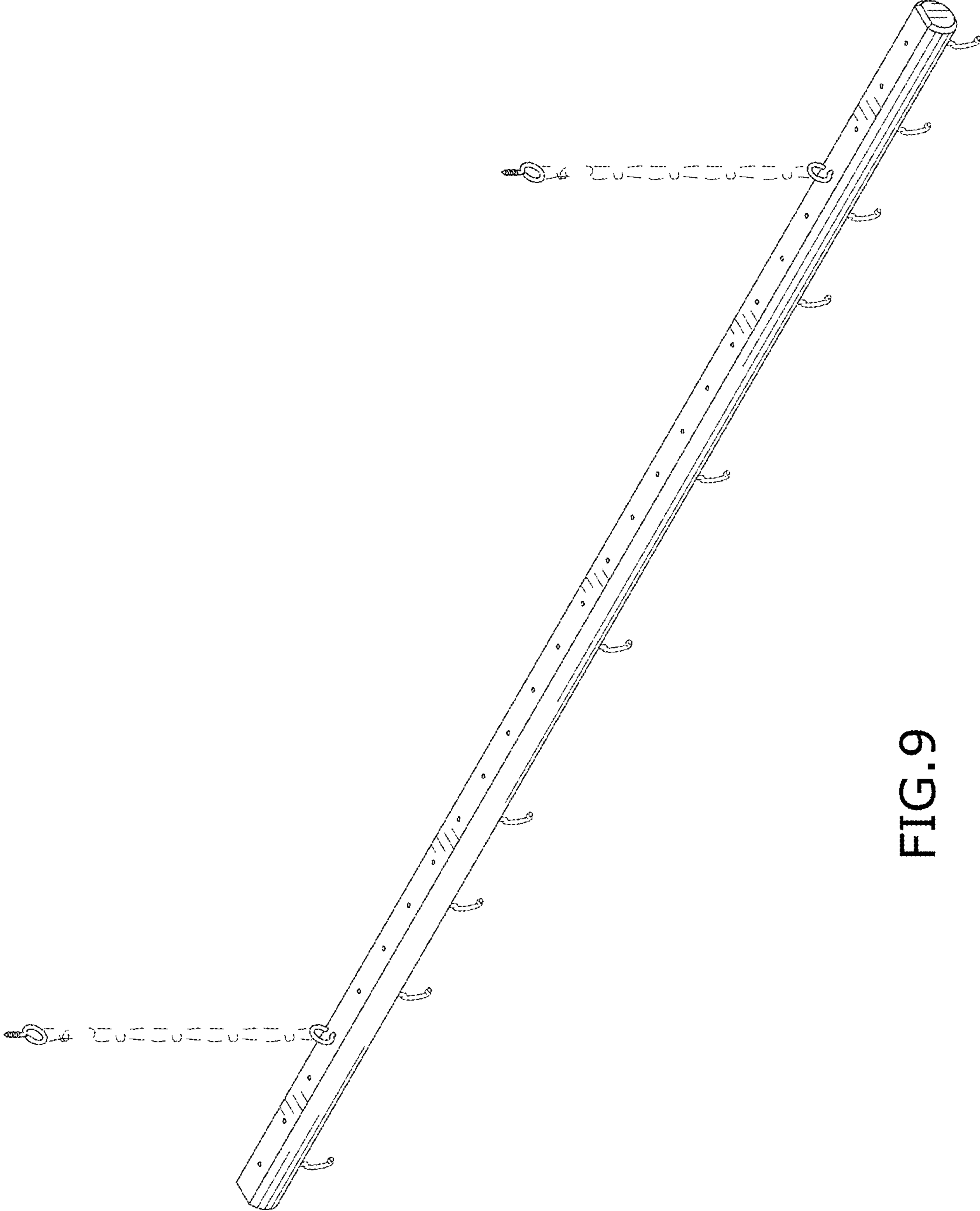


FIG.9

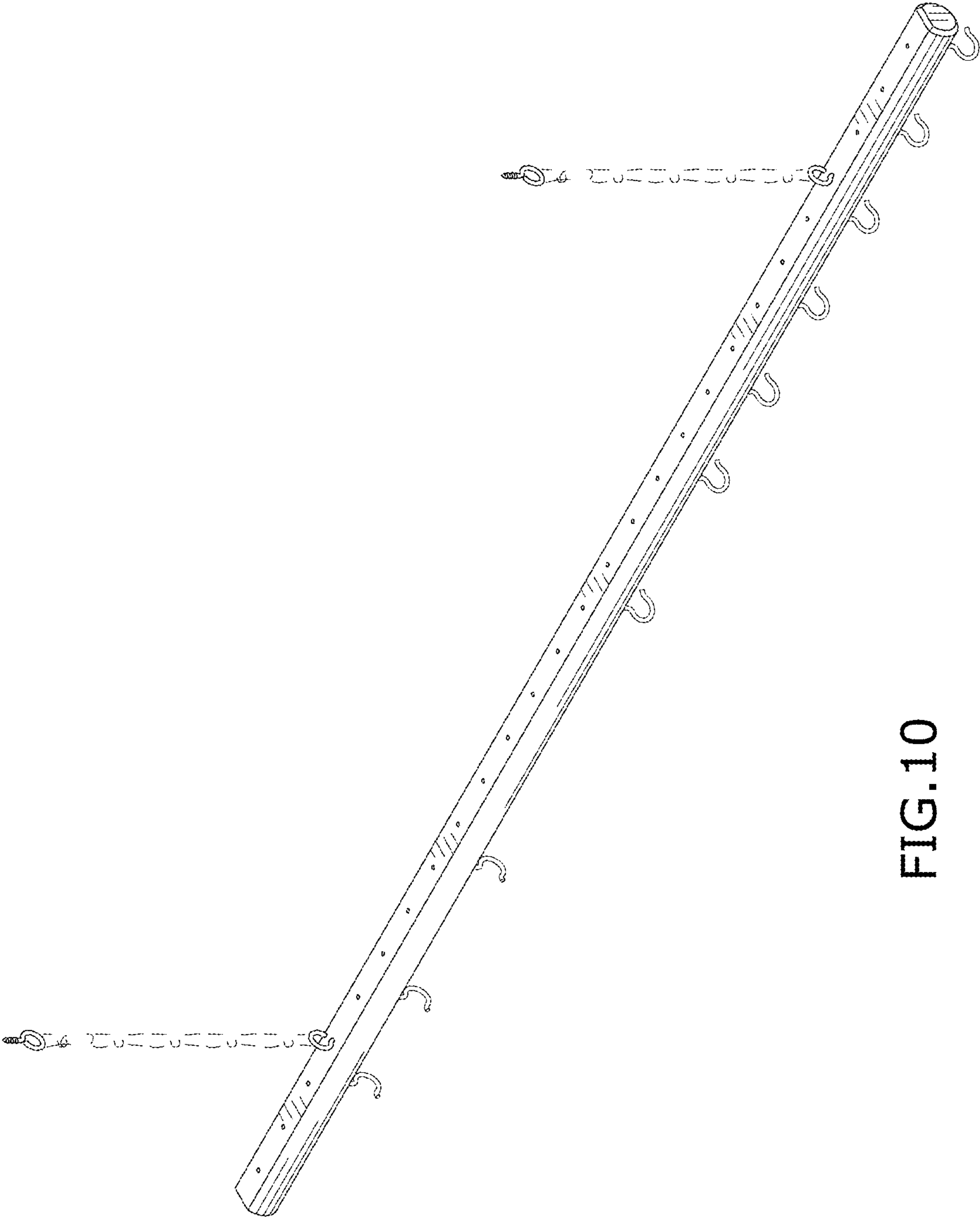


FIG.10