



US00D819360S

(12) **United States Design Patent**
Goodman et al.

(10) **Patent No.:** **US D819,360 S**
(45) **Date of Patent:** **** Jun. 5, 2018**

(54) **PAPER TOWEL HOLDER**
(71) Applicant: **Spectrum Diversified Designs, LLC**,
Strongsville, OH (US)
(72) Inventors: **Aaron Goodman**, Beachwood, OH
(US); **Xuemei Yuan**, Stow, OH (US)
(73) Assignee: **SPECTRUM DIVERSIFIED**
DESIGNS, LLC, Streetsboro, OH (US)

D628,836 S * 12/2010 Guindi D6/521
D758,755 S * 6/2016 Goodman D6/521
D794,977 S * 8/2017 Goodman D6/521

* cited by examiner

(**) Term: **15 Years**

(21) Appl. No.: **29/587,985**

(22) Filed: **Dec. 16, 2016**

(51) **LOC (11) Cl.** **20-02**

(52) **U.S. Cl.**
USPC **D6/521**

(58) **Field of Classification Search**
USPC D6/518-522; 206/389, 391; 211/13.1,
211/45, 59.1, 89.01; 242/570, 590,
242/597.7; 248/309.1, 309.2
CPC A47K 10/04; A47K 10/02; A47K 10/10;
A47K 10/3836; A47K 2010/324; A47K
2010/389; B08B 1/006
See application file for complete search history.

(56) **References Cited**

U.S. PATENT DOCUMENTS

D390,054 S * 2/1998 Goodman D6/521
D474,361 S * 5/2003 Ancona D6/521

Primary Examiner — Wan Laymon
Assistant Examiner — Mark Booker
(74) *Attorney, Agent, or Firm* — Tucker Ellis LLP;
Patrick F. Clunk

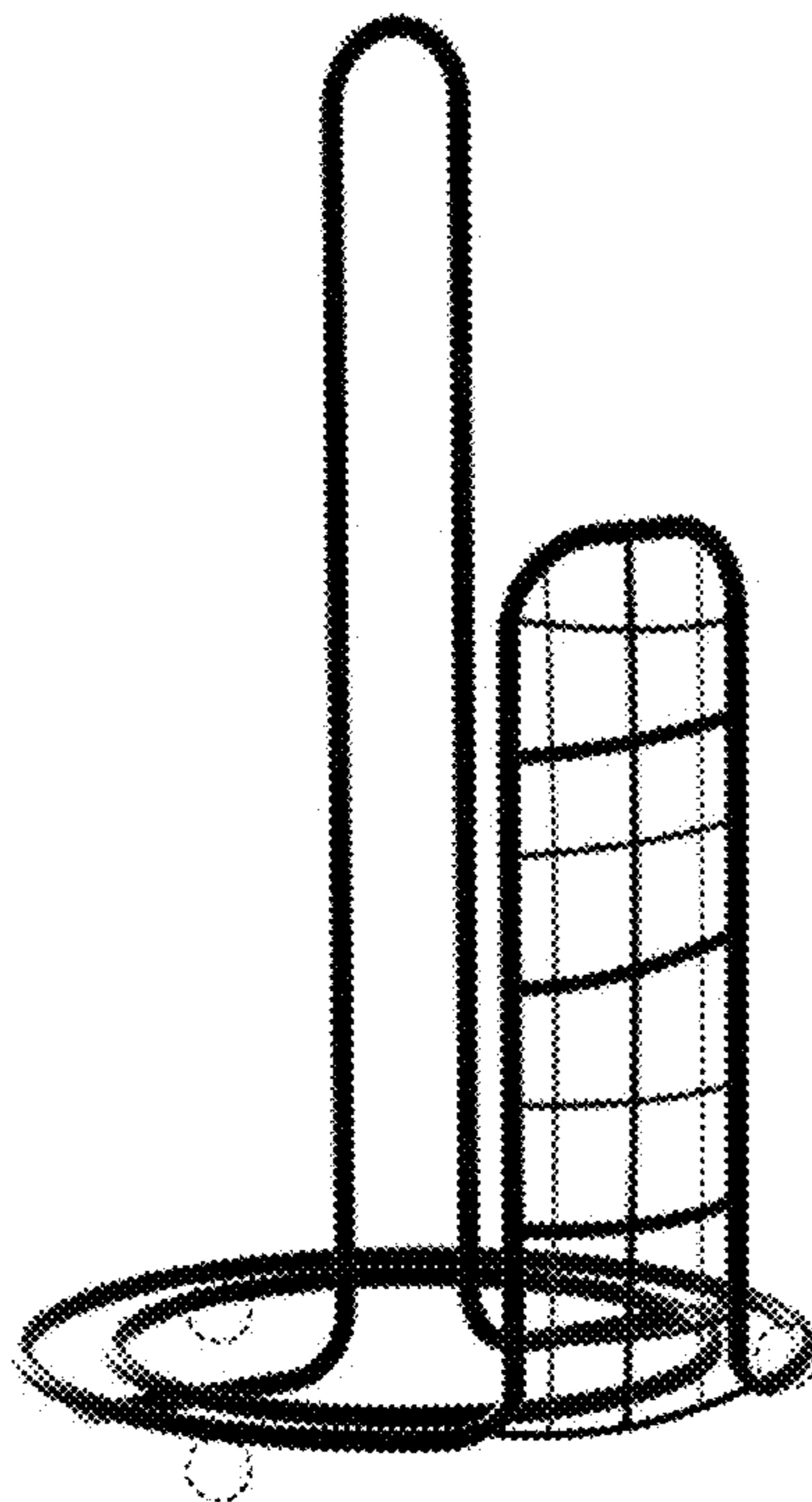
(57) **CLAIM**

The ornamental design for a paper towel holder, as shown and described.

DESCRIPTION

FIG. 1 is a perspective view of a paper towel holder showing our new design.
FIG. 2 is a front view thereof.
FIG. 3 is a left side view thereof, a right side view being a mirror image; and,
FIG. 4 is a top view thereof.
The variation in thickness of the lines is intended to show a variation in thickness in the material from which the article is made.
The broken lines shown in the figures represent portions of the paper towel holder that form no part of the claimed design.

1 Claim, 4 Drawing Sheets



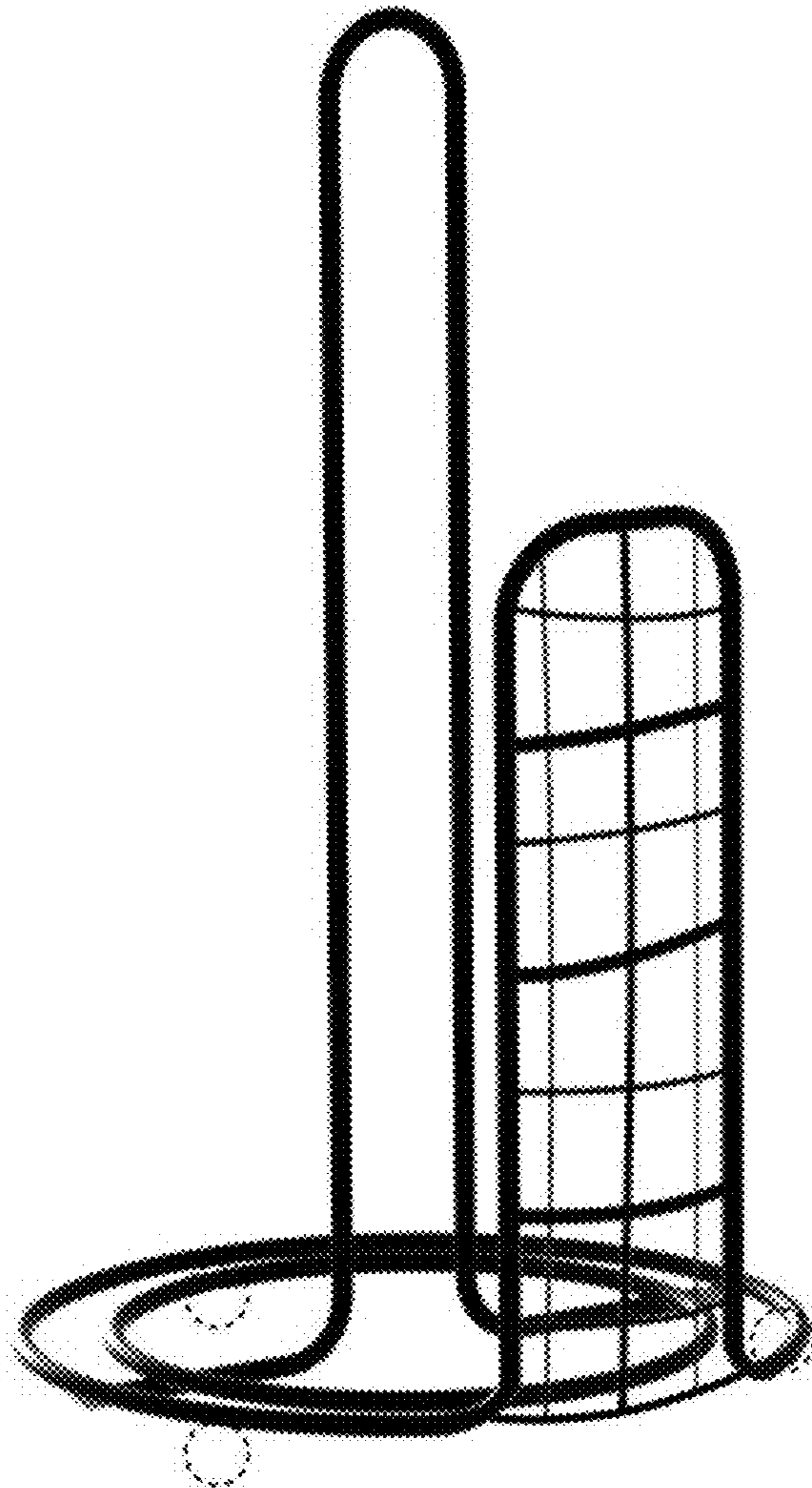


FIG. 1

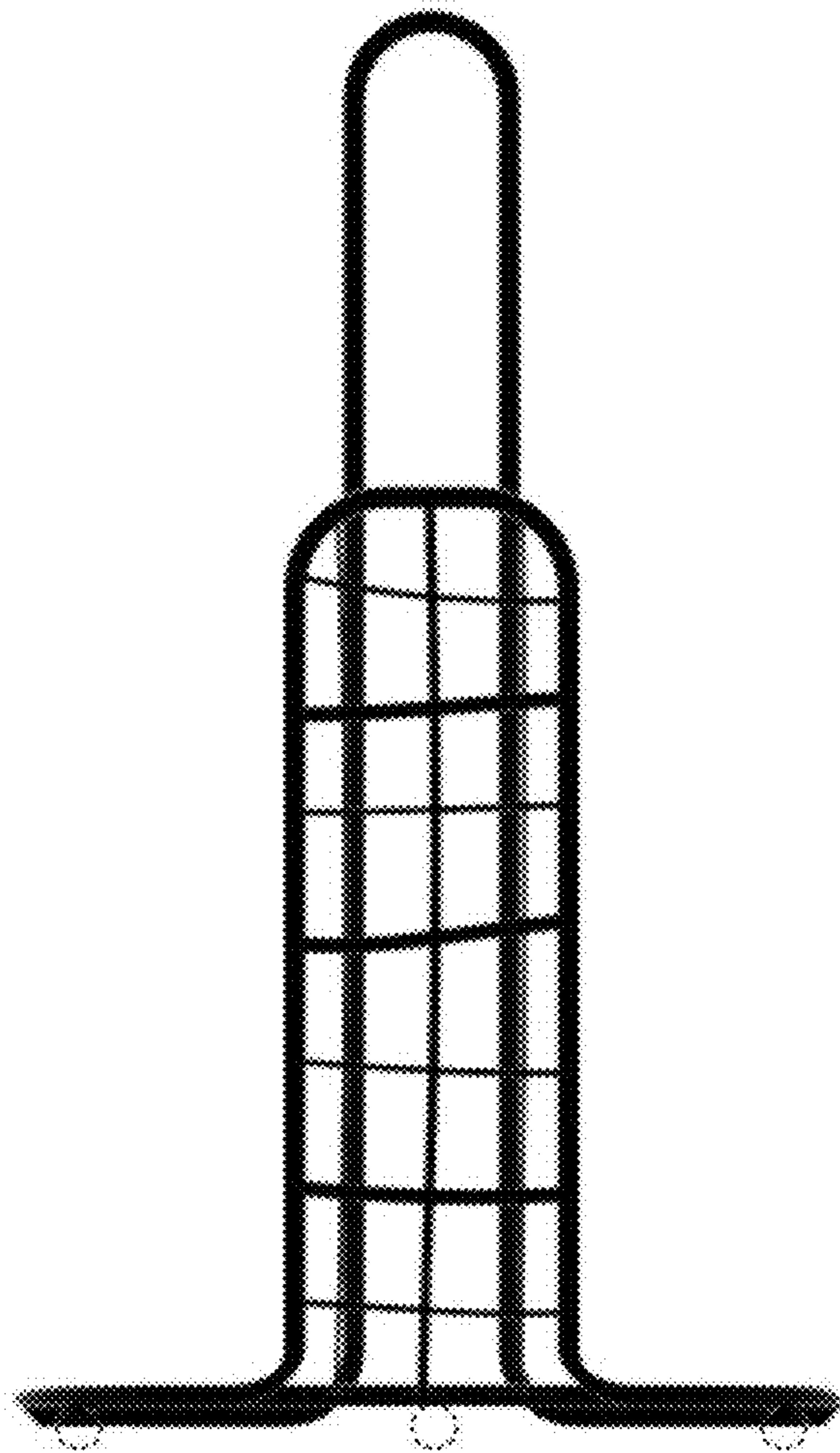


FIG. 2

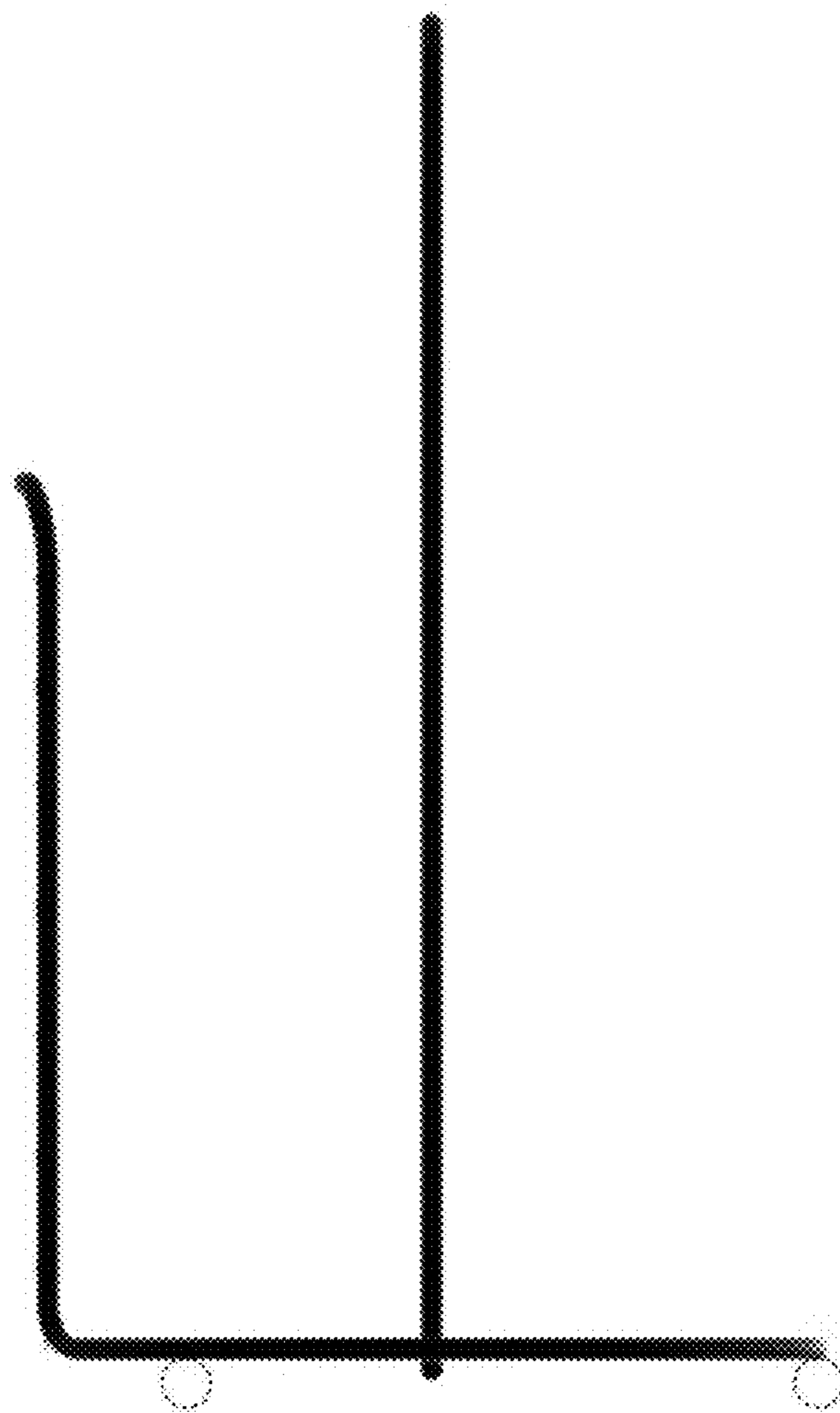


FIG. 3

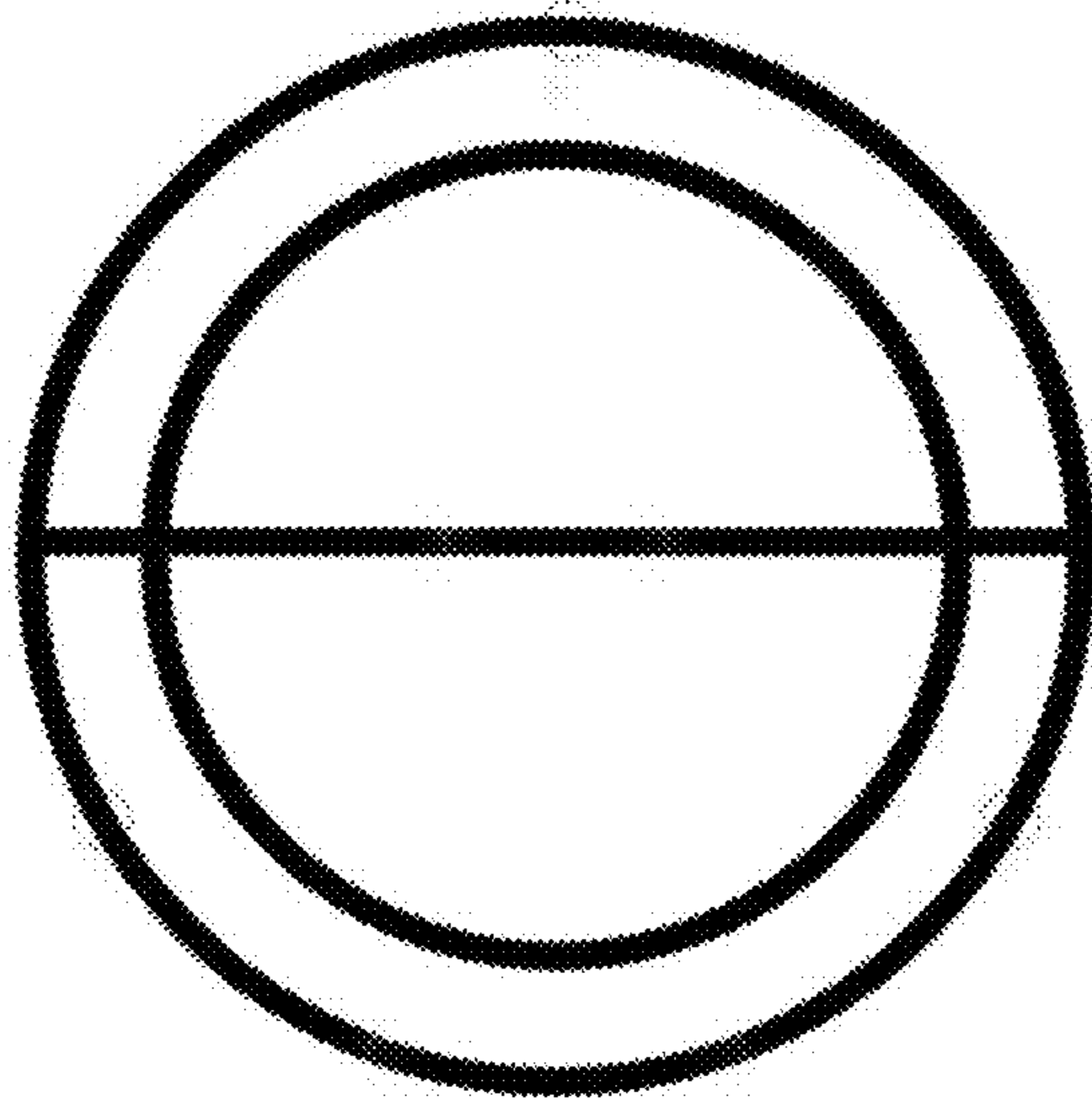


FIG. 4