



US00D819358S

(12) **United States Design Patent**  
**Czach et al.**

(10) **Patent No.:** **US D819,358 S**  
(45) **Date of Patent:** **\*\* Jun. 5, 2018**

(54) **HOSPITAL BASSINET**

(71) Applicant: **Stryker Corporation**, Kalamazoo, MI (US)

(72) Inventors: **Matthew Gregory Czach**, Kalamazoo, MI (US); **Bryce Kelly Porter**, Grand Rapids, MI (US)

(73) Assignee: **Stryker Corporation**, Kalamazoo, MI (US)

(\*\*) Term: **15 Years**

(21) Appl. No.: **29/596,787**

(22) Filed: **Mar. 10, 2017**

**Related U.S. Application Data**

(60) Division of application No. 29/516,083, filed on Jan. 29, 2015, now Pat. No. Des. 786,577, which is a continuation of application No. 14/256,013, filed on Apr. 18, 2014.

(51) **LOC (11) Cl.** ..... **06-02**

(52) **U.S. Cl.**  
USPC ..... **D6/390**

(58) **Field of Classification Search**

USPC ..... D6/360, 691, 691.1, 691.2, 691.6, 641, D6/691.3, 691.4, 656.15, 688.1, 688, 698, D6/390, 382, 692, 692.4, 691.8, 686, 353, D6/688.27, 708.1, 692.2, 692.3, 657, 672, D6/685, 707.19, 691.9, 701, 707, 707.23, D6/644, 656, 656.19; D15/199; D24/143, 171, 183-185, 188, 190-191, D24/200; D25/63  
CPC ... A61B 8/40; A61B 19/203; A61B 2017/681; A61B 5/702; A61B 5/704; A61B 5/706; A61B 5/708; A61B 6/04; A61B 5/150748; A47C 20/027; A47C 20/025; A47G 9/10; A47G 2009/1018; A61G 13/0036; A61F 5/04

See application file for complete search history.

(56) **References Cited**

U.S. PATENT DOCUMENTS

D93,203 S \* 9/1934 Burst ..... D21/520  
D136,011 S \* 7/1943 Doty ..... 5/655  
2,401,605 A \* 6/1946 Boren ..... A61G 11/00  
5/655  
2,475,775 A \* 7/1949 Boren ..... A47D 9/00  
220/665  
D183,345 S 8/1958 Gottlieb  
D250,584 S 12/1978 Oye  
D271,990 S \* 12/1983 Lyne ..... 4/572.1

(Continued)

FOREIGN PATENT DOCUMENTS

CN 201005349 1/2008

*Primary Examiner* — Mary Ann Calabrese

*Assistant Examiner* — Sloan Rozin

(74) *Attorney, Agent, or Firm* — Warner Norcross + Judd LLP

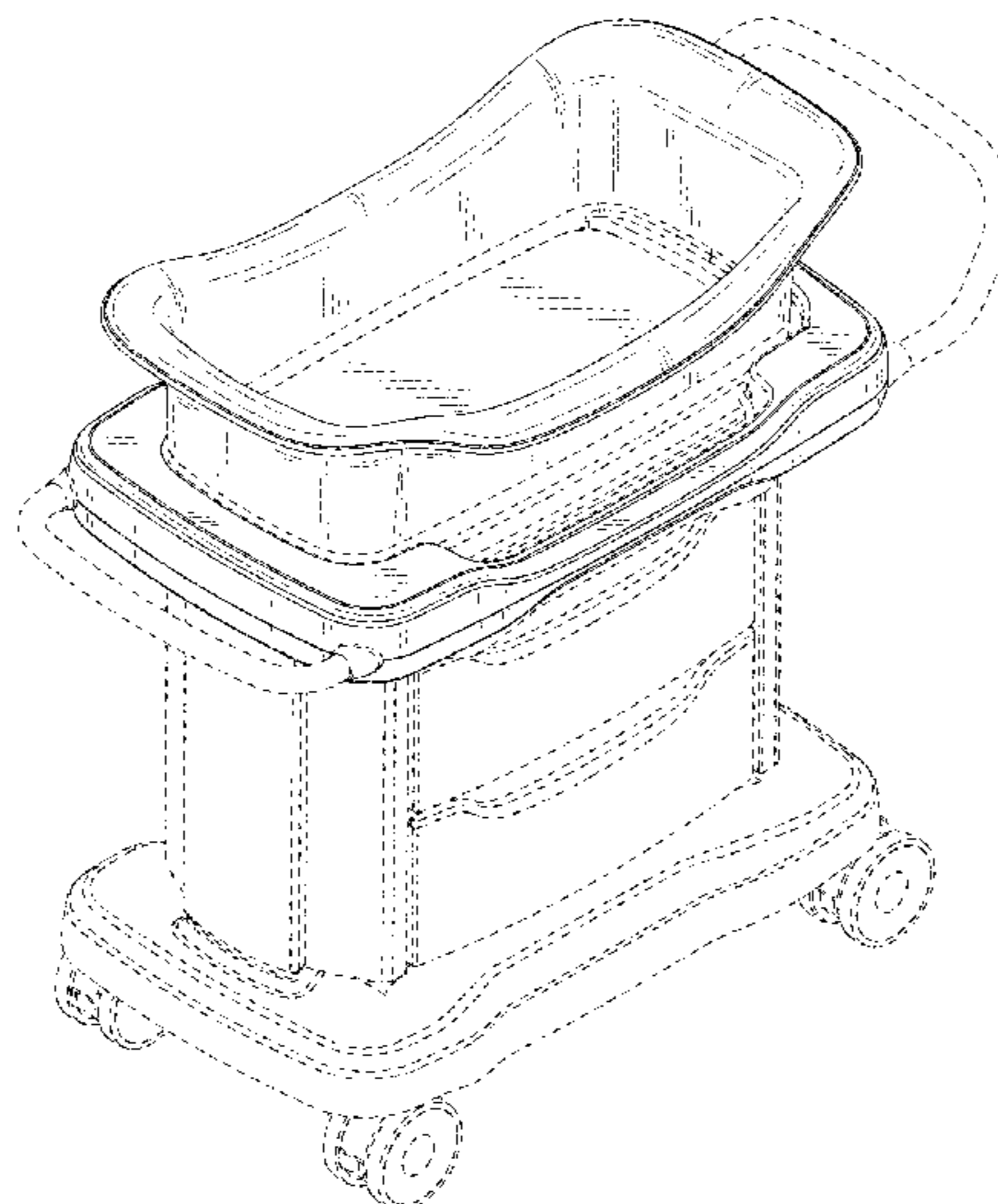
(57) **CLAIM**

The ornamental design for a hospital bassinet, as shown and described.

**DESCRIPTION**

FIG. 1 is a front perspective view of a hospital bassinet of the present disclosure;  
FIG. 2 is a front elevational view of the hospital bassinet of FIG. 1, a rear elevational view is a mirror image of this illustrated view; and,  
FIG. 3 is a first side elevational view of the hospital bassinet of FIG. 1, the opposing side elevational view of the hospital bassinet is a mirror image of this illustrated view.  
The broken line showing of elements on the hospital bassinet illustrate portions of the article that form no part of the claimed design.

**1 Claim, 3 Drawing Sheets**



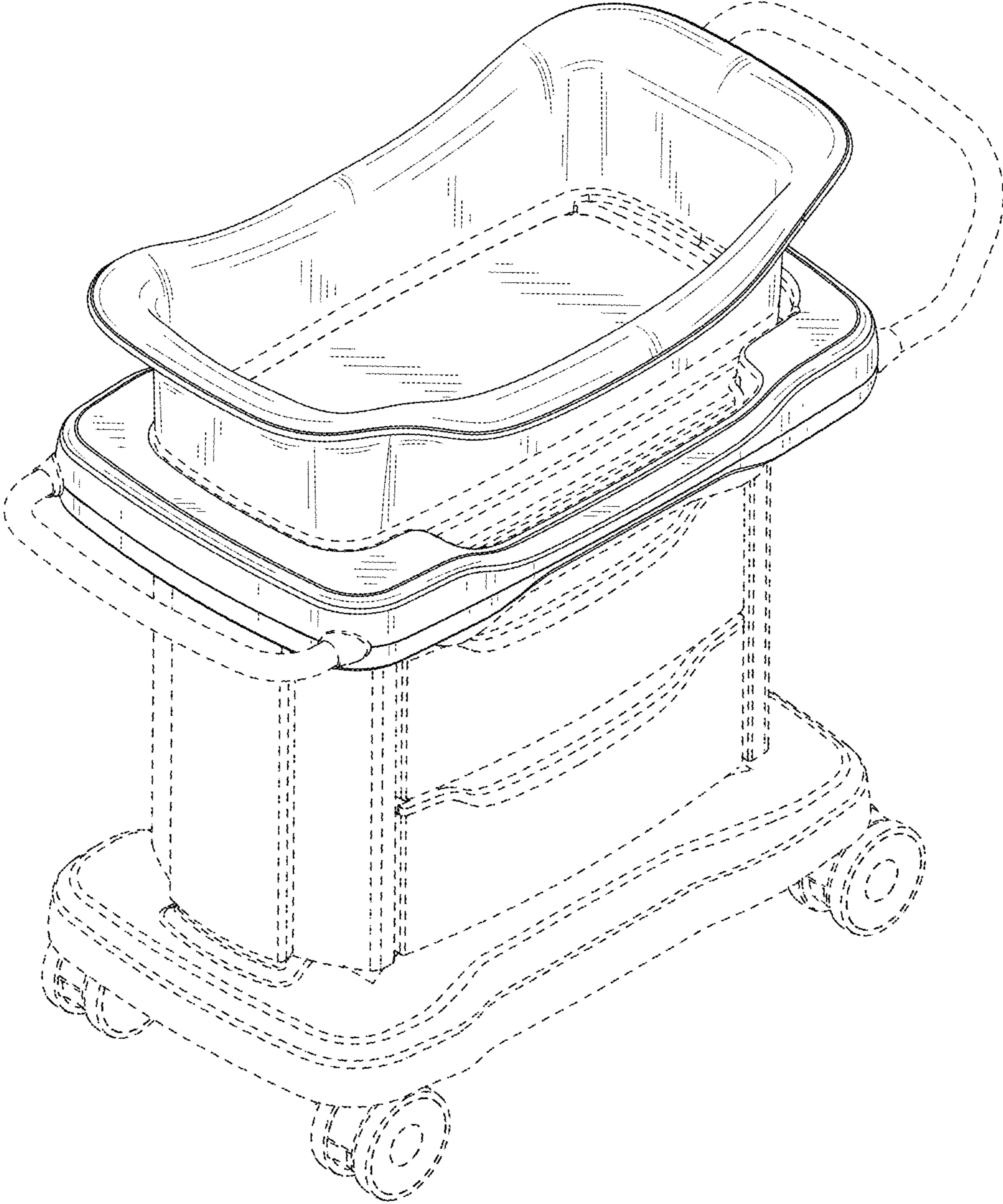
(56)

References Cited

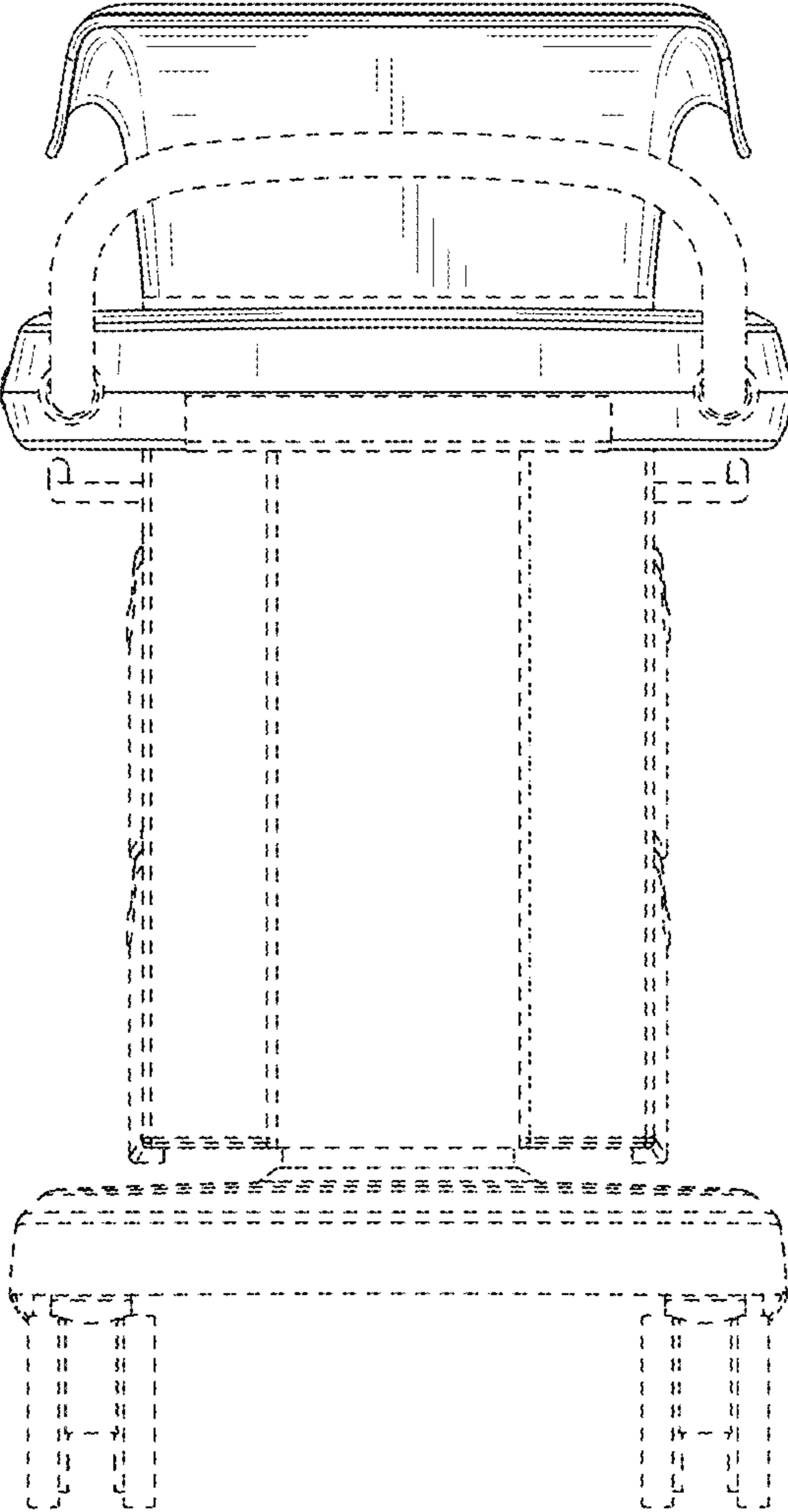
U.S. PATENT DOCUMENTS

4,628,553	A	12/1986	Buttitta et al.	
4,819,282	A	4/1989	McArthur et al.	
D357,781	S *	4/1995	Crinion .....	D34/17
D373,489	S	9/1996	Tabbia	
D382,725	S *	8/1997	Hahn .....	D23/278
5,845,590	A	12/1998	Seidl	
D407,233	S *	3/1999	Naas .....	D34/20
5,898,817	A	4/1999	Salmon et al.	
6,129,703	A	10/2000	Beneke	
6,231,499	B1	5/2001	Jones	
6,471,634	B1	10/2002	Dykes et al.	
6,611,978	B1	9/2003	Schmidt et al.	
6,659,935	B2	12/2003	Costanzo	
6,682,030	B2	1/2004	Santoro et al.	
6,711,937	B2	3/2004	Richards et al.	
6,880,188	B1	4/2005	Schmidt et al.	
6,926,663	B2	8/2005	Costanzo	
7,311,657	B2	12/2007	Boone et al.	
7,444,694	B2 *	11/2008	Brewin .....	A47D 7/04 5/655
D585,678	S *	2/2009	Thomas .....	D6/331
RE40,754	E *	6/2009	Morton .....	A47D 7/002 5/655
D612,629	S *	3/2010	Gower .....	D6/390
D643,645	S *	8/2011	Davis .....	D6/390
8,429,771	B2	4/2013	Long	
D713,537	S *	9/2014	Ben-Haim .....	D24/200
8,997,277	B2 *	4/2015	Thomas .....	A47D 5/00 5/414
D754,987	S *	5/2016	Davis .....	D6/390
D786,577	S *	5/2017	Czach .....	A47D 9/00 D6/390
2009/0211022	A1	8/2009	Harding	
2014/0310870	A1 *	10/2014	Czach .....	A47D 9/00 5/11

\* cited by examiner

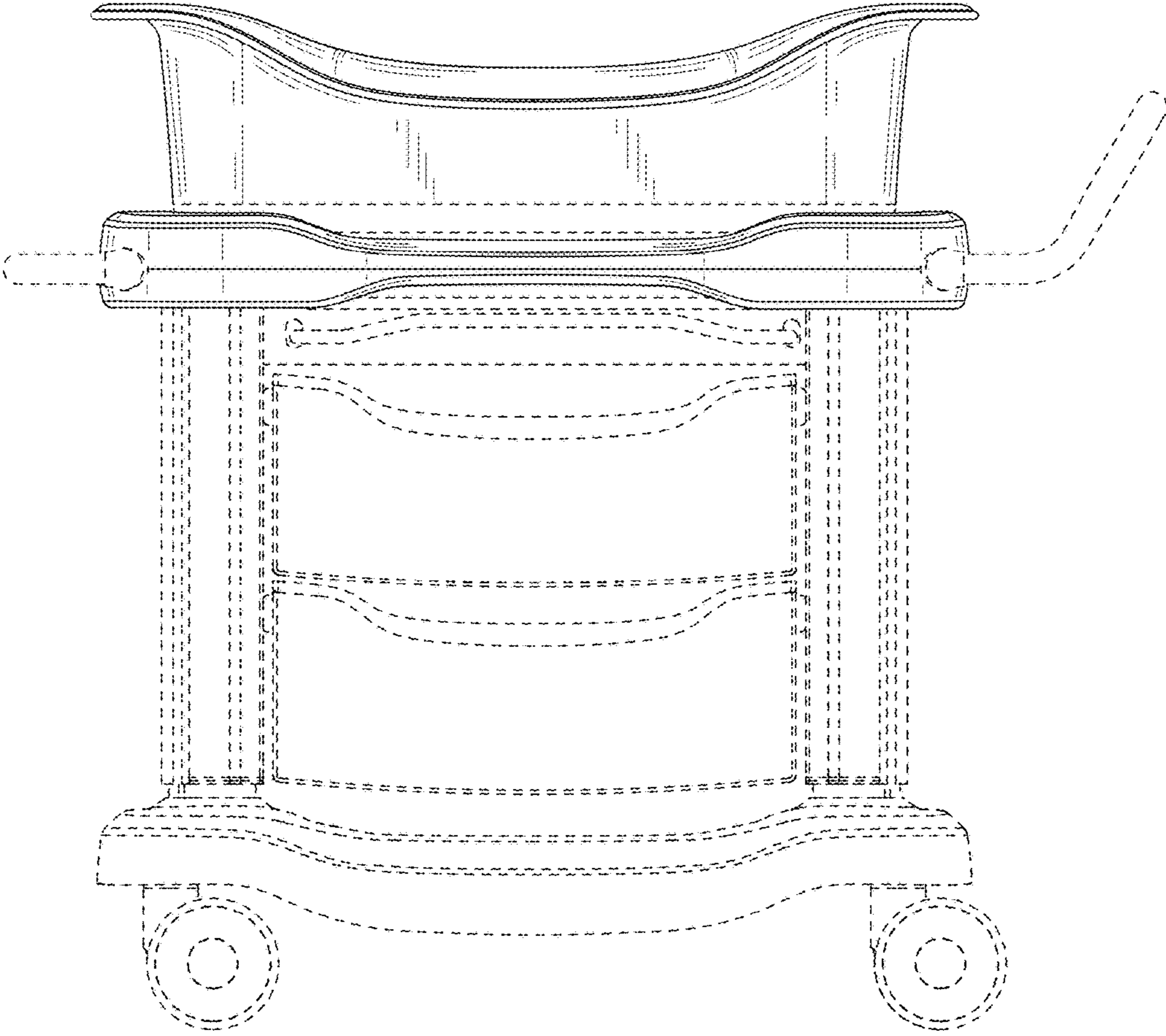


**FIG. 1**



**FIG. 2**





**FIG. 3**