



US00D819356S

(12) **United States Design Patent** (10) **Patent No.:** **US D819,356 S**
Borak et al. (45) **Date of Patent:** **** Jun. 5, 2018**

(54) **CHAIR** 8,056,976 B1 * 11/2011 Polk A47C 9/002
 297/258.1
 (71) Applicants: **Daniel Borak**, Streamwood, IL (US); D669,280 S * 10/2012 Andersson D6/379
Richard Weidner, Barrington, IL (US) D679,916 S * 4/2013 Barney D6/366
 8,721,005 B2 * 5/2014 Mankin A47C 7/46
 297/44
 (72) Inventors: **Daniel Borak**, Streamwood, IL (US); 8,919,881 B2 * 12/2014 Bay A47C 9/002
Richard Weidner, Barrington, IL (US) 297/311
 9,408,469 B1 * 8/2016 Chiu A47C 7/006
 (73) Assignee: **Black Mountain Products, Inc.**, D783,301 S * 4/2017 Hsu D6/366
 McHenry, IL (US) 9,713,383 B2 * 7/2017 Hsu A47C 4/54
 (Continued)

(**) Term: **15 Years**

FOREIGN PATENT DOCUMENTS

(21) Appl. No.: **29/587,269**
 (22) Filed: **Dec. 12, 2016**
 (51) **LOC (11) Cl.** **06-01**
 (52) **U.S. Cl.**
 USPC **D6/380**
 (58) **Field of Classification Search**
 USPC D6/334-336, 352, 364, 374, 379, 380,
 D6/716, 716.1, 716.2, 716.4
 CPC .. A47C 7/006; A47C 7/02; A47C 4/54; A47C
 7/46; A47C 9/002
 See application file for complete search history.

EP 0563820 A1 * 10/1993 A47C 3/12
 EP 0870444 A2 * 10/1998 A47C 3/16
 FR 2859640 A1 * 3/2005 A47C 3/16

Primary Examiner — Mimosa De
 (74) *Attorney, Agent, or Firm* — Jansson Munger
 McKinley & Kirby Ltd.

(57) **CLAIM**

The ornamental design for a chair, as shown and described.

DESCRIPTION

FIG. 1 is a perspective view of the chair of the present design;
 FIG. 2 is a perspective view of FIG. 1 illustrating the underside of the chair;
 FIG. 3 is a front view of the chair of FIG. 1;
 FIG. 4 is a back view of the chair of FIG. 1;
 FIG. 5 is a right side view of the chair of FIG. 1;
 FIG. 6 is a left side view of the chair of FIG. 1;
 FIG. 7 is a top view of the chair of FIG. 1;
 FIG. 8 is a bottom view of the chair of FIG. 1; and,
 FIG. 9 is a perspective view of the chair of FIG. 1 with the ball removed.

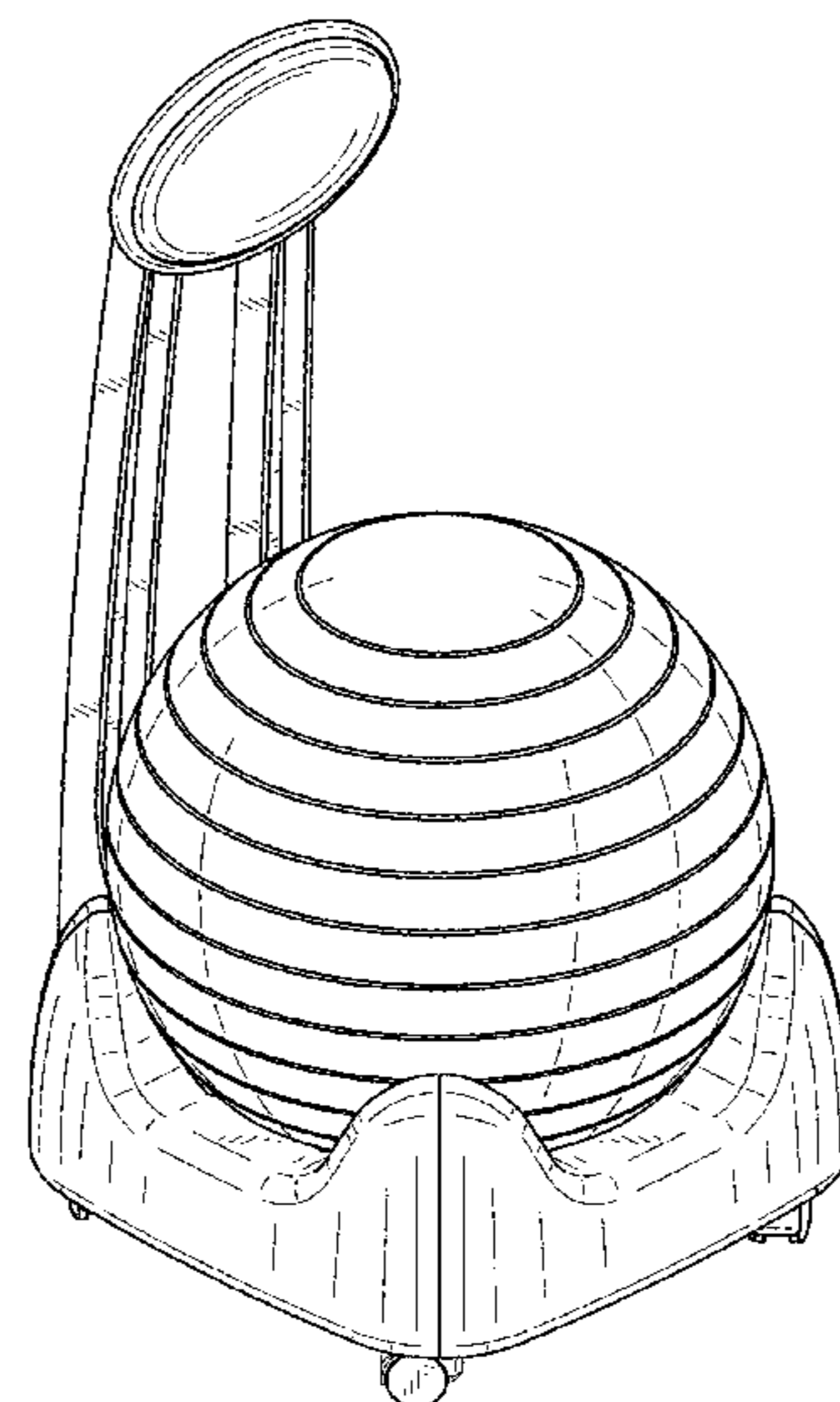
The broken lines showing portions of the chair depict environment and form no part of the claim.

1 Claim, 5 Drawing Sheets

(56) **References Cited**

U.S. PATENT DOCUMENTS

5,690,389 A * 11/1997 Ekman A47C 9/002
 248/599
 6,070,943 A * 6/2000 Guery-Strahm A47C 4/54
 297/440.1
 6,702,388 B1 * 3/2004 Chiu A47C 4/54
 297/217.1
 6,832,817 B1 * 12/2004 Chiu A47C 4/54
 297/452.41
 D503,553 S * 4/2005 Chiu D6/352
 7,044,558 B2 * 5/2006 Chiu A47C 9/002
 297/217.1
 7,140,677 B1 * 11/2006 Chiu A47C 4/54
 297/181



(56)

References Cited

U.S. PATENT DOCUMENTS

2004/0245838 A1* 12/2004 Chiu A47C 4/54
297/452.41
2008/0176727 A1* 7/2008 Heitzman A47C 9/002
482/142
2013/0057030 A1* 3/2013 Mankin A47C 4/54
297/42
2016/0353894 A1* 12/2016 Hsu A47C 9/002

* cited by examiner

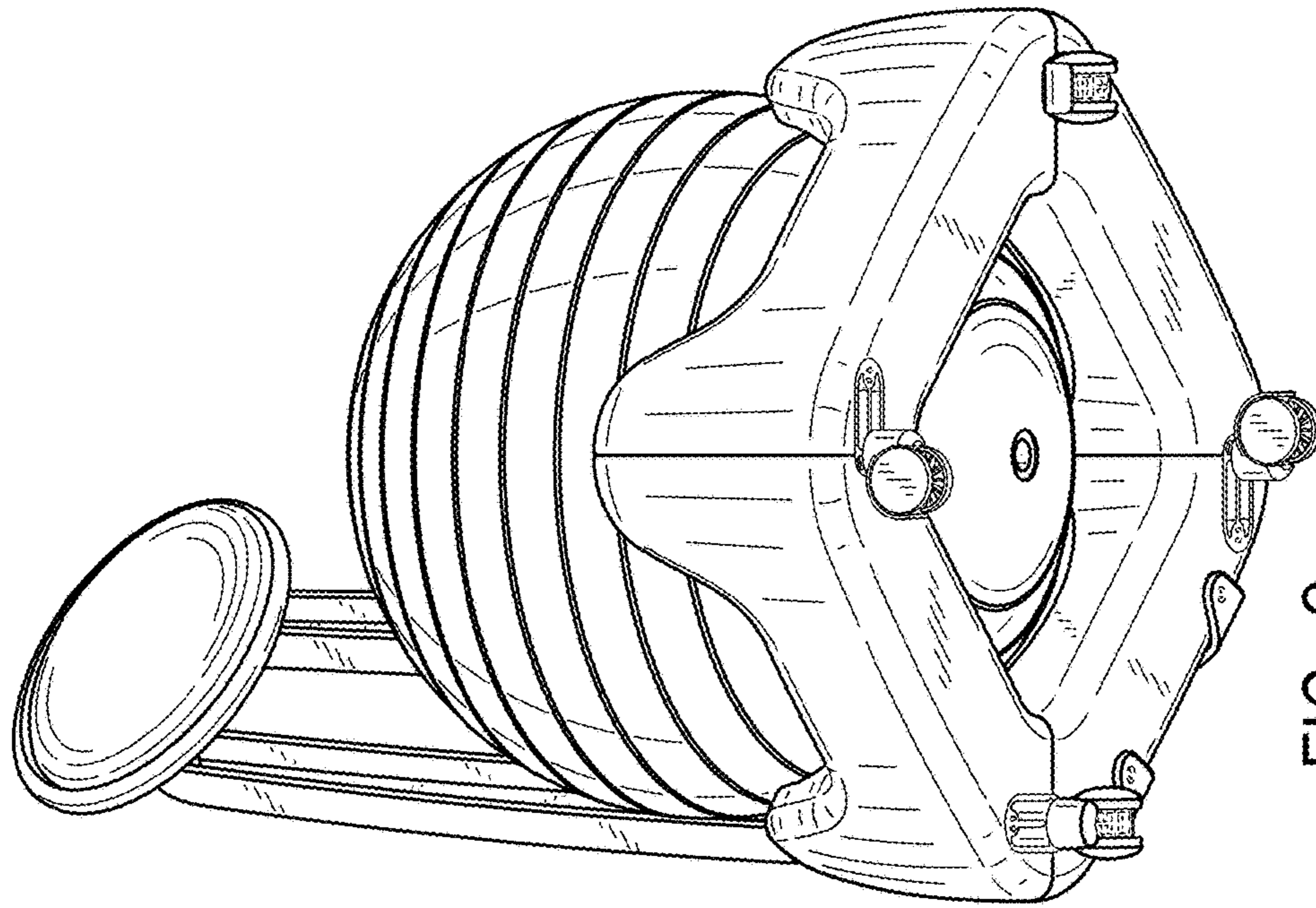


FIG. 2

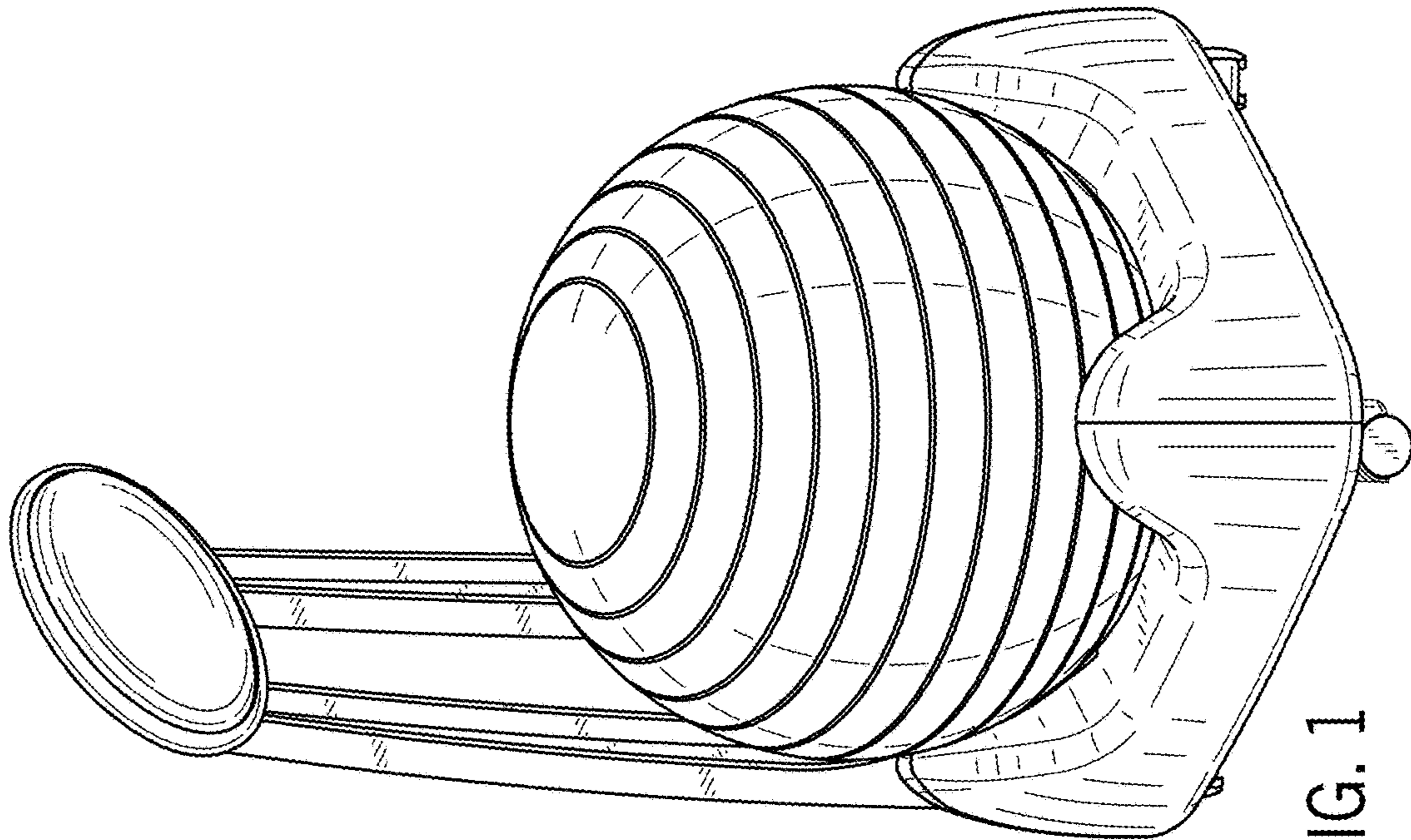


FIG. 1

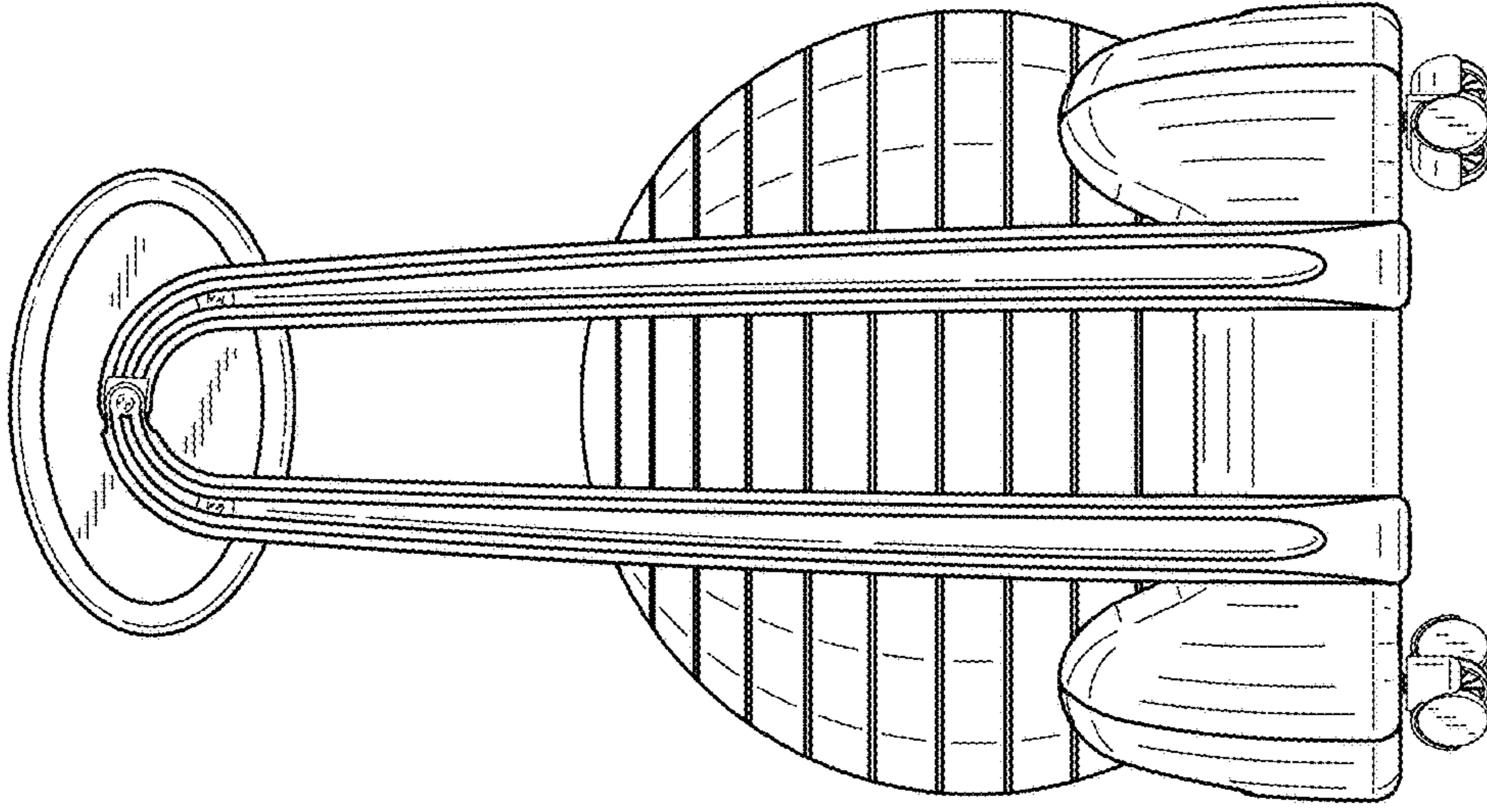


FIG. 4

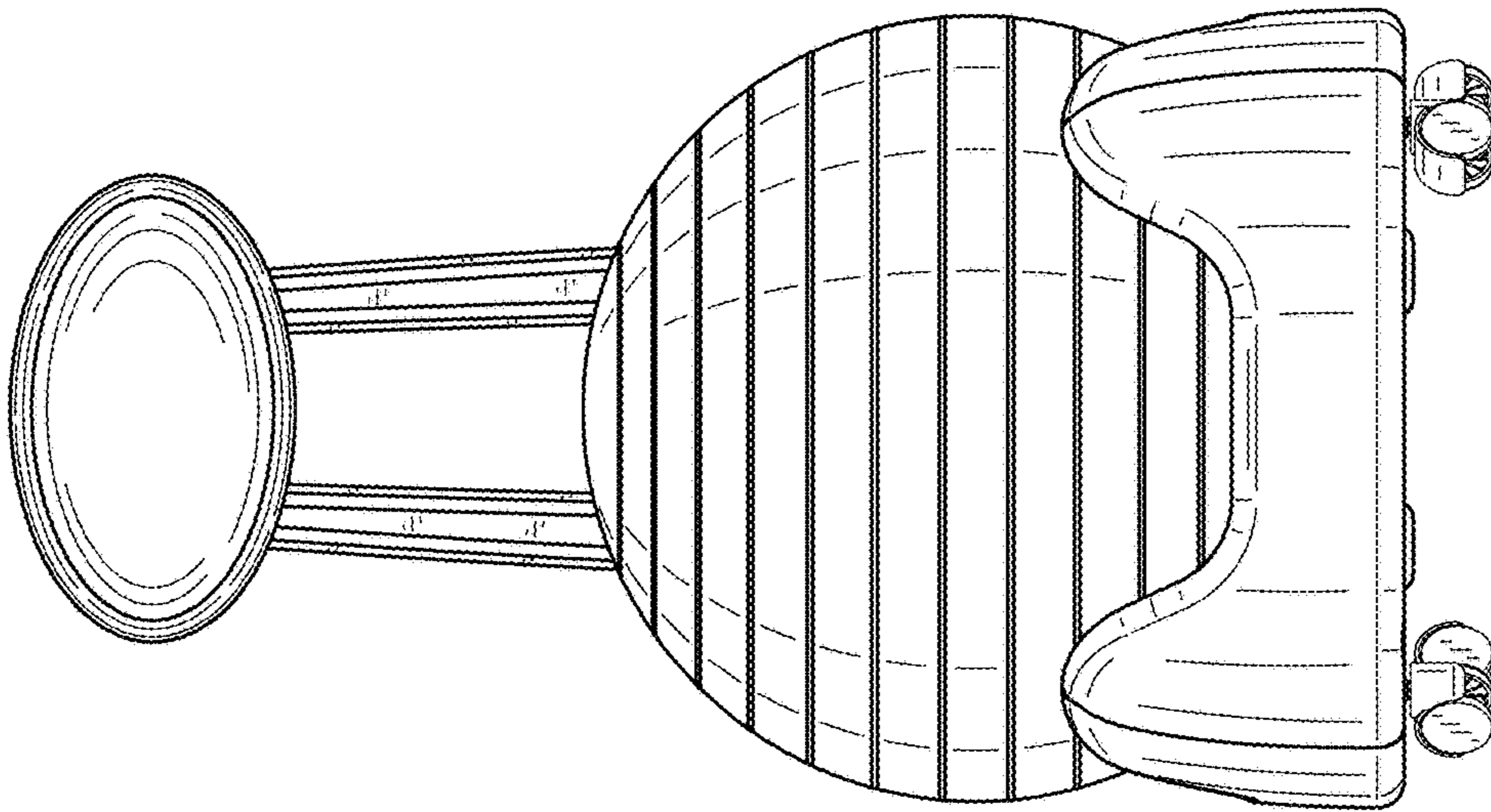


FIG. 3

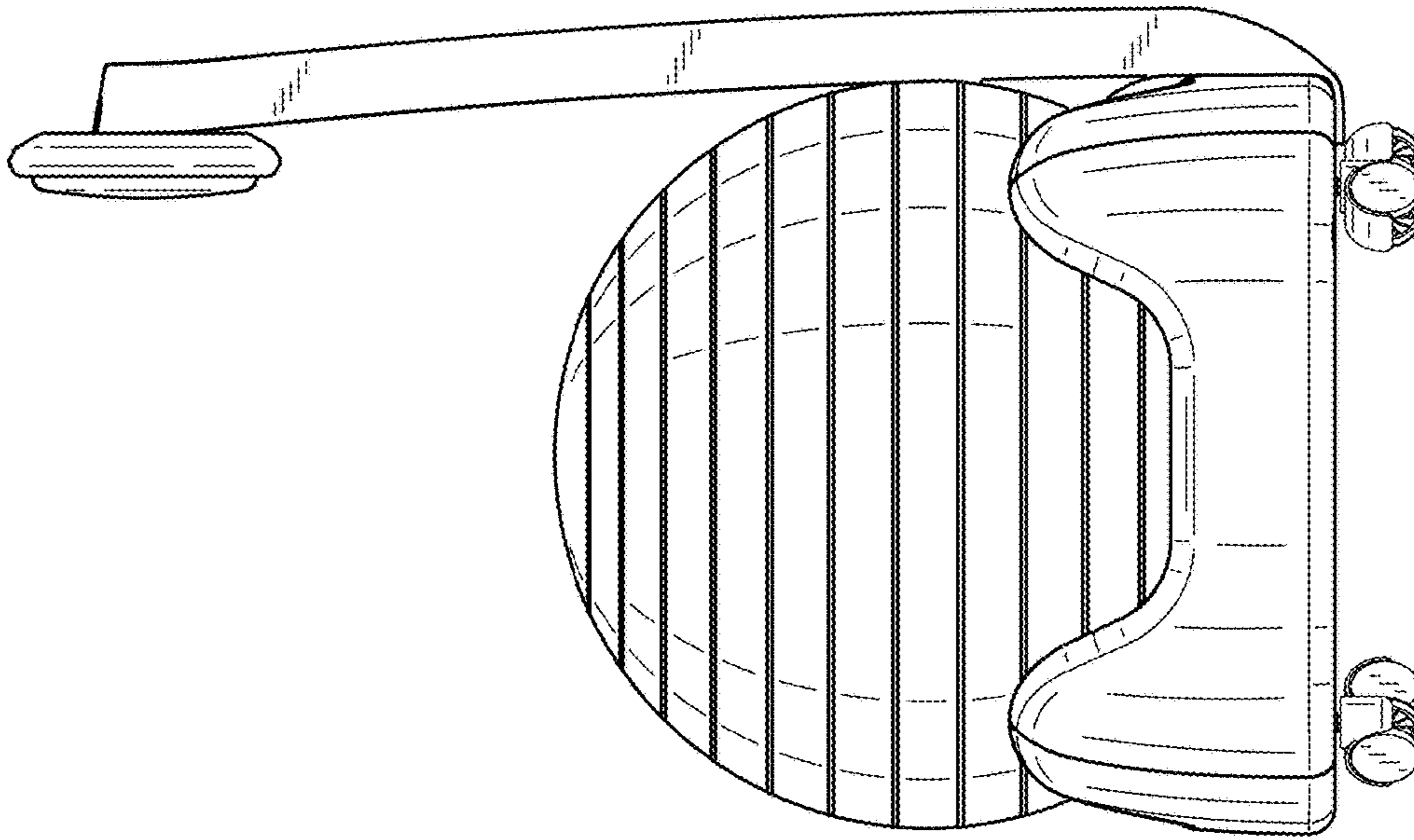


FIG. 6

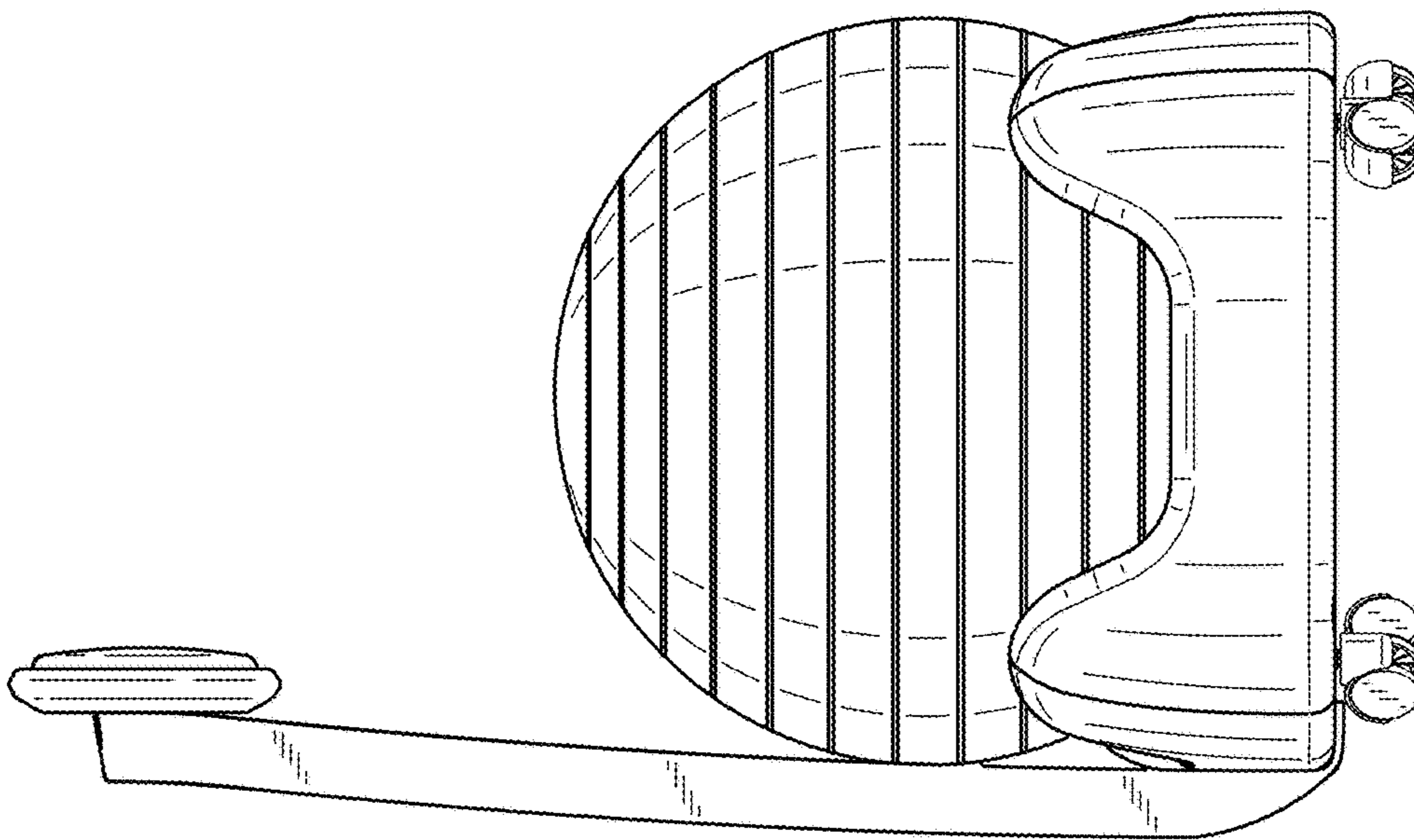


FIG. 5

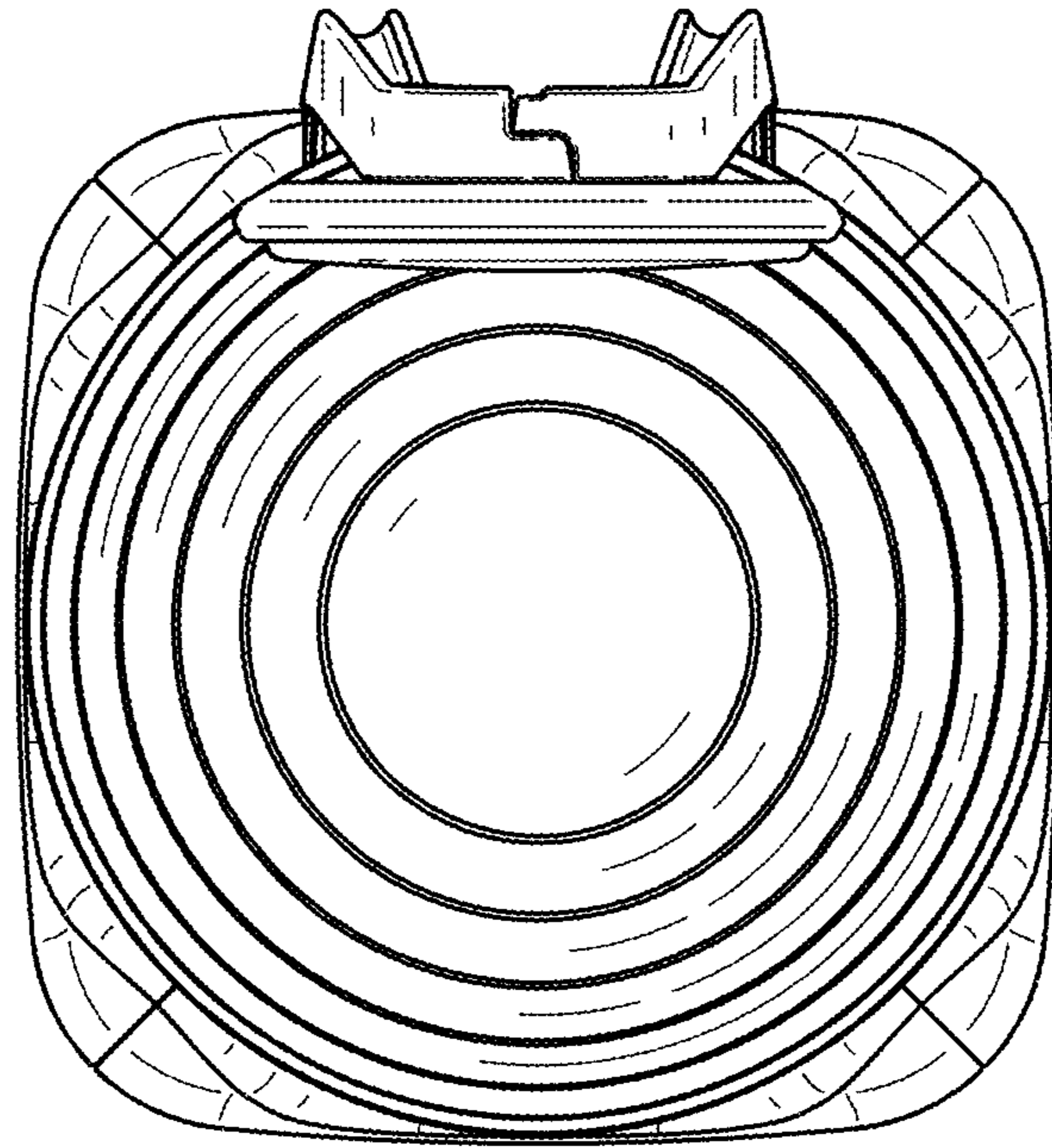


FIG. 7

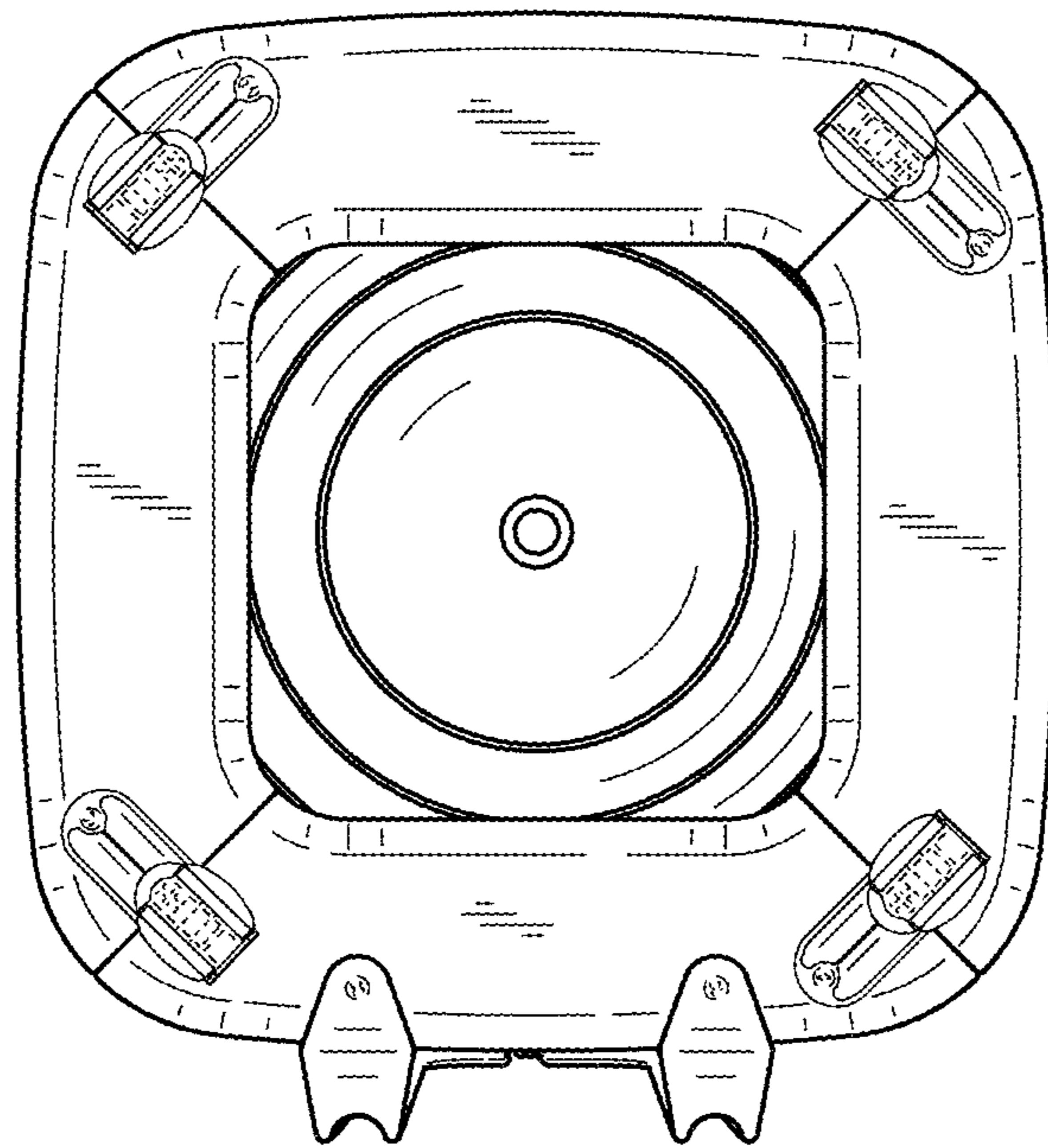


FIG. 8

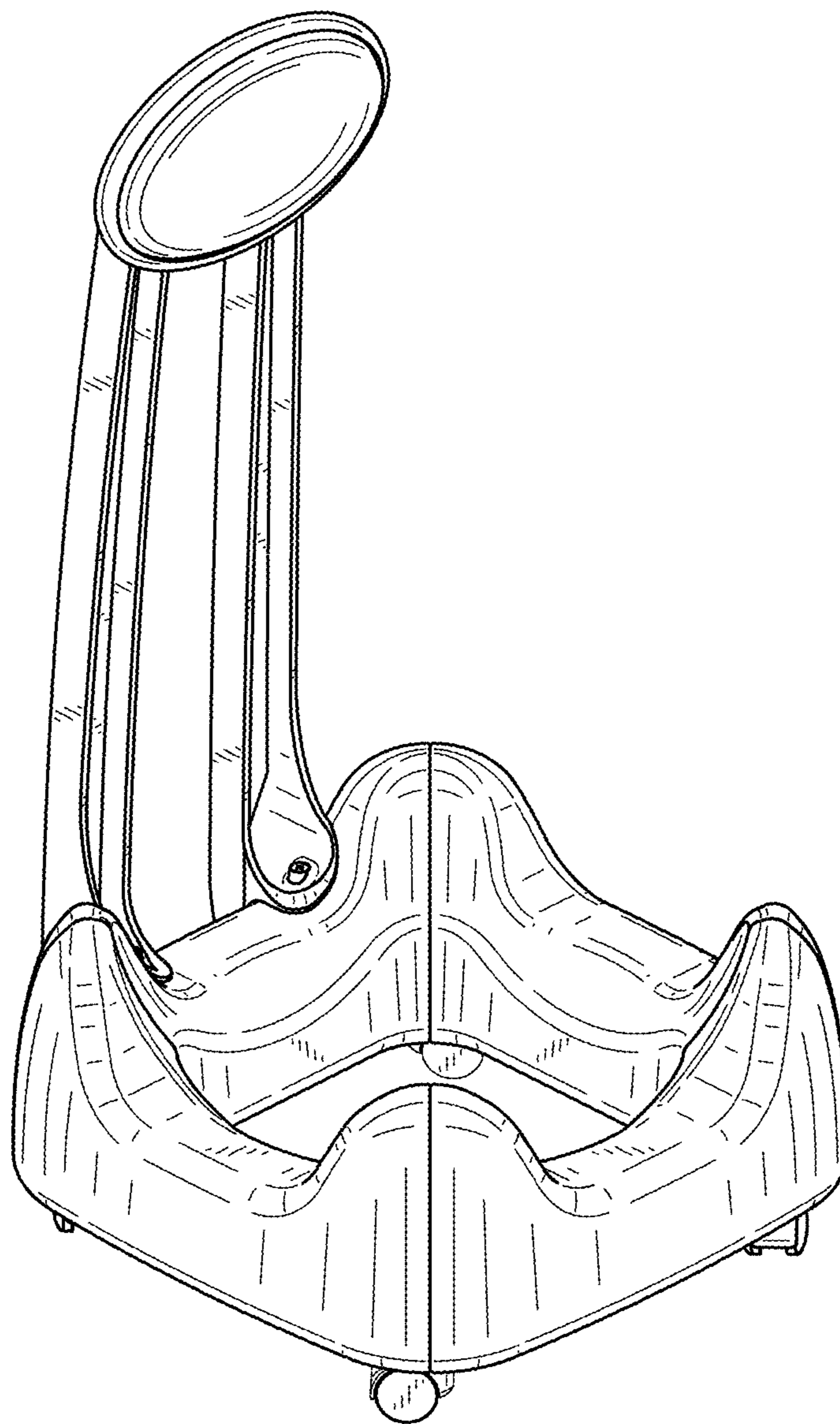


FIG. 9