



US00D819354S

(12) **United States Design Patent**
Harman

(10) **Patent No.:** **US D819,354 S**
(45) **Date of Patent:** **** Jun. 5, 2018**

(54) **CHAIR**

(71) Applicant: **Christopher Harman**, Austin, TX (US)

(72) Inventor: **Christopher Harman**, Austin, TX (US)

(**) Term: **15 Years**

(21) Appl. No.: **29/606,695**

(22) Filed: **Jun. 7, 2017**

(51) **LOC (11) Cl.** **06-01**

(52) **U.S. Cl.**
USPC **D6/370; D6/379**

(58) **Field of Classification Search**
USPC D6/334-336, 370, 371, 373, 374, 379,
D6/380, 716.1, 716.2, 716.3, 716.4
See application file for complete search history.

(56) **References Cited**

U.S. PATENT DOCUMENTS

- 2,364,452 A * 12/1944 Kramer A47C 4/02
297/343
- D215,929 S * 11/1969 Guillon D6/334
- D222,051 S * 9/1971 Shannon D6/370

- D229,135 S * 11/1973 Rouslahti D6/379
- D233,494 S * 11/1974 Bolyos D6/373
- D244,328 S * 5/1977 Heumann D6/334
- D495,156 S * 8/2004 Gower D6/370
- D698,170 S * 1/2014 Caldwell D6/370

* cited by examiner

Primary Examiner — Mimososa De

(74) *Attorney, Agent, or Firm* — Pierson IP, PLLC

(57) **CLAIM**

The ornamental design for a chair, as shown and described.

DESCRIPTION

FIG. 1 is a perspective view of a chair showing our new design thereof;
 FIG. 2 is a side view of the chair shown in FIG. 1;
 FIG. 3 is a front view of the chair shown in FIG. 1;
 FIG. 4 is a rear view of the chair shown in FIG. 1;
 FIG. 5 is a top view of the chair shown in FIG. 1;
 FIG. 6 is a bottom view of the chair shown in FIG. 1; and,
 FIG. 7 is a perspective view of the chair shown in FIG. 1.
 Elements shown in broken lines show non-claimed elements of the chair and form no part of our design.

1 Claim, 5 Drawing Sheets

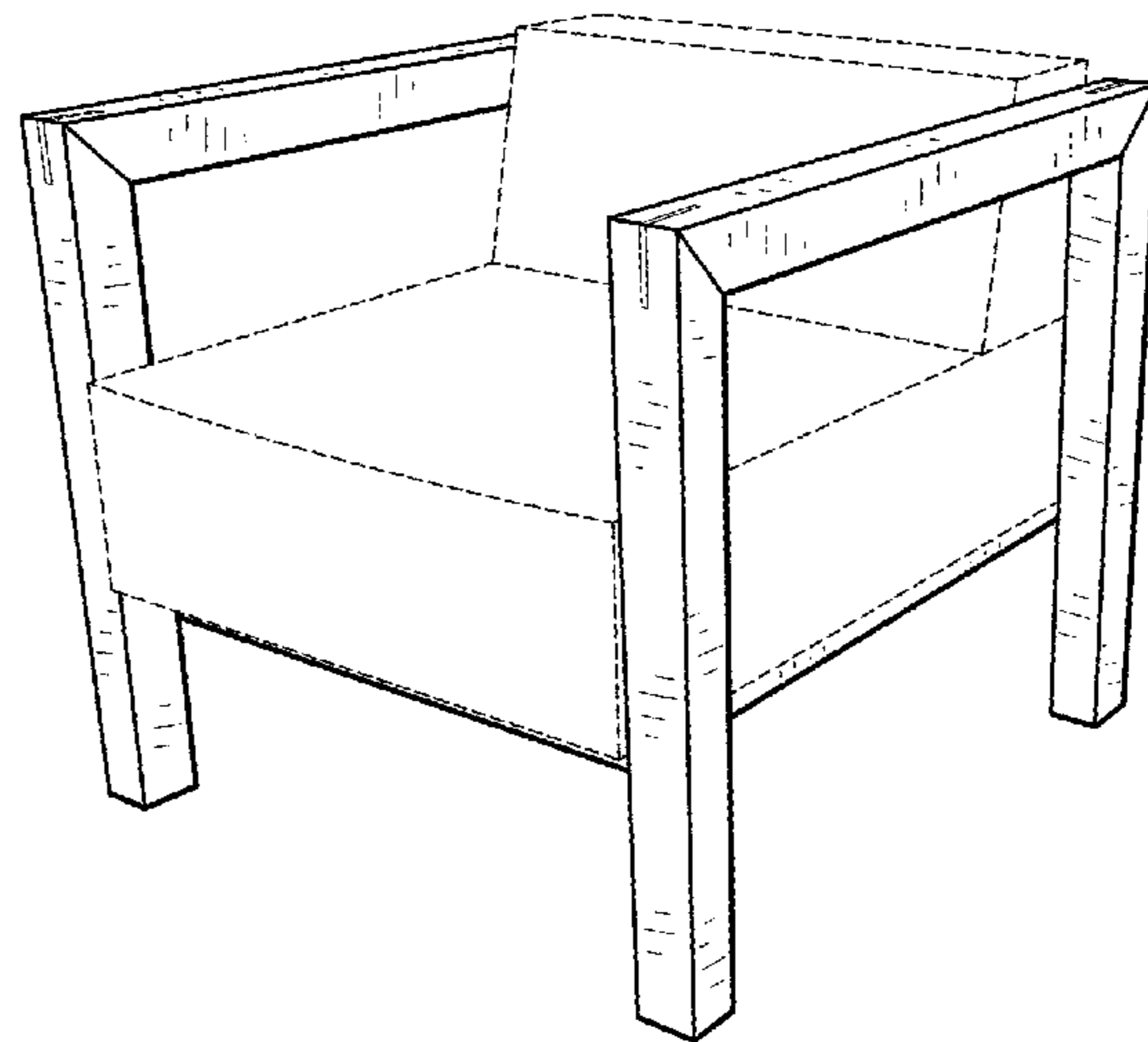
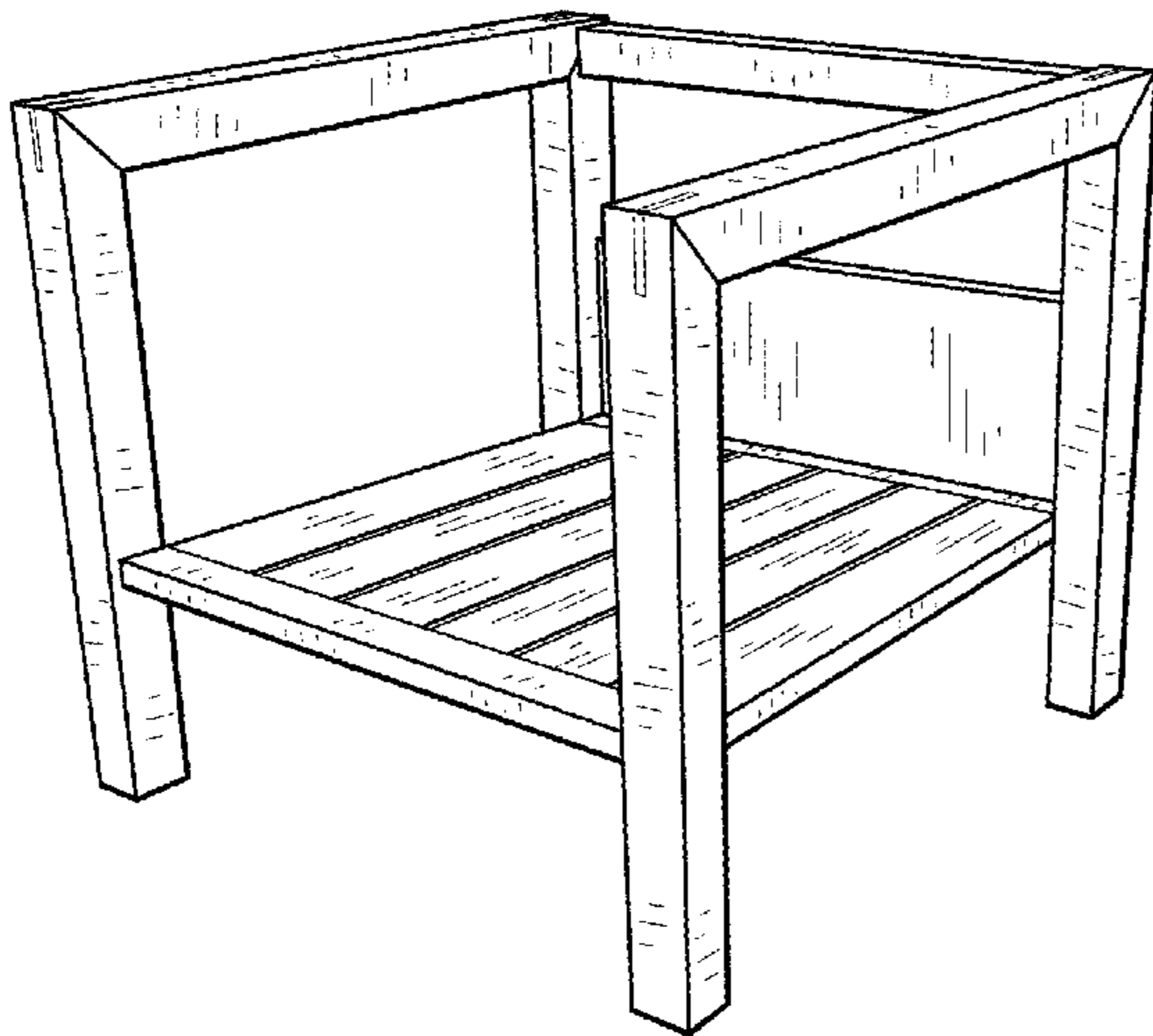


FIG. 1

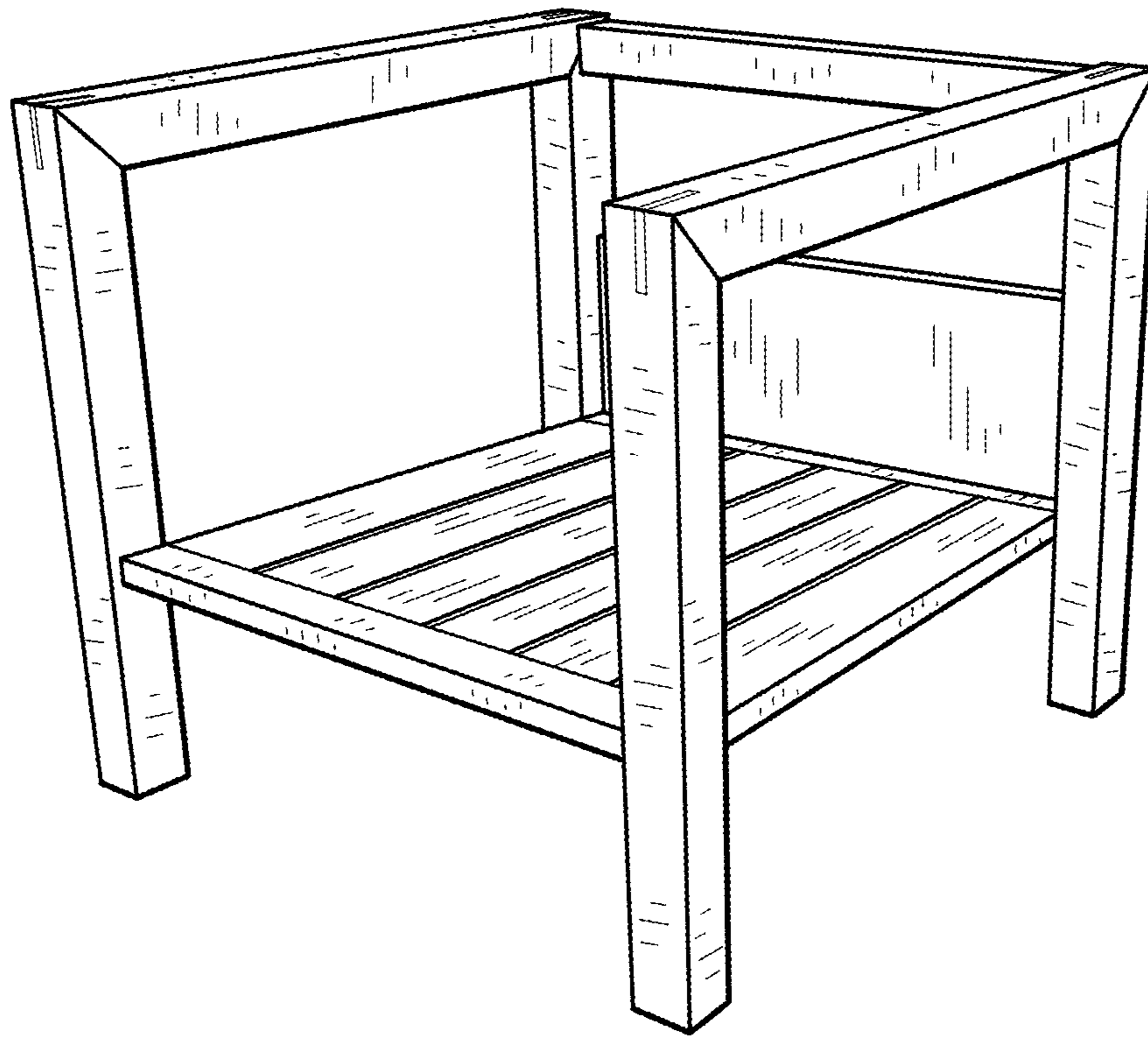


FIG. 2

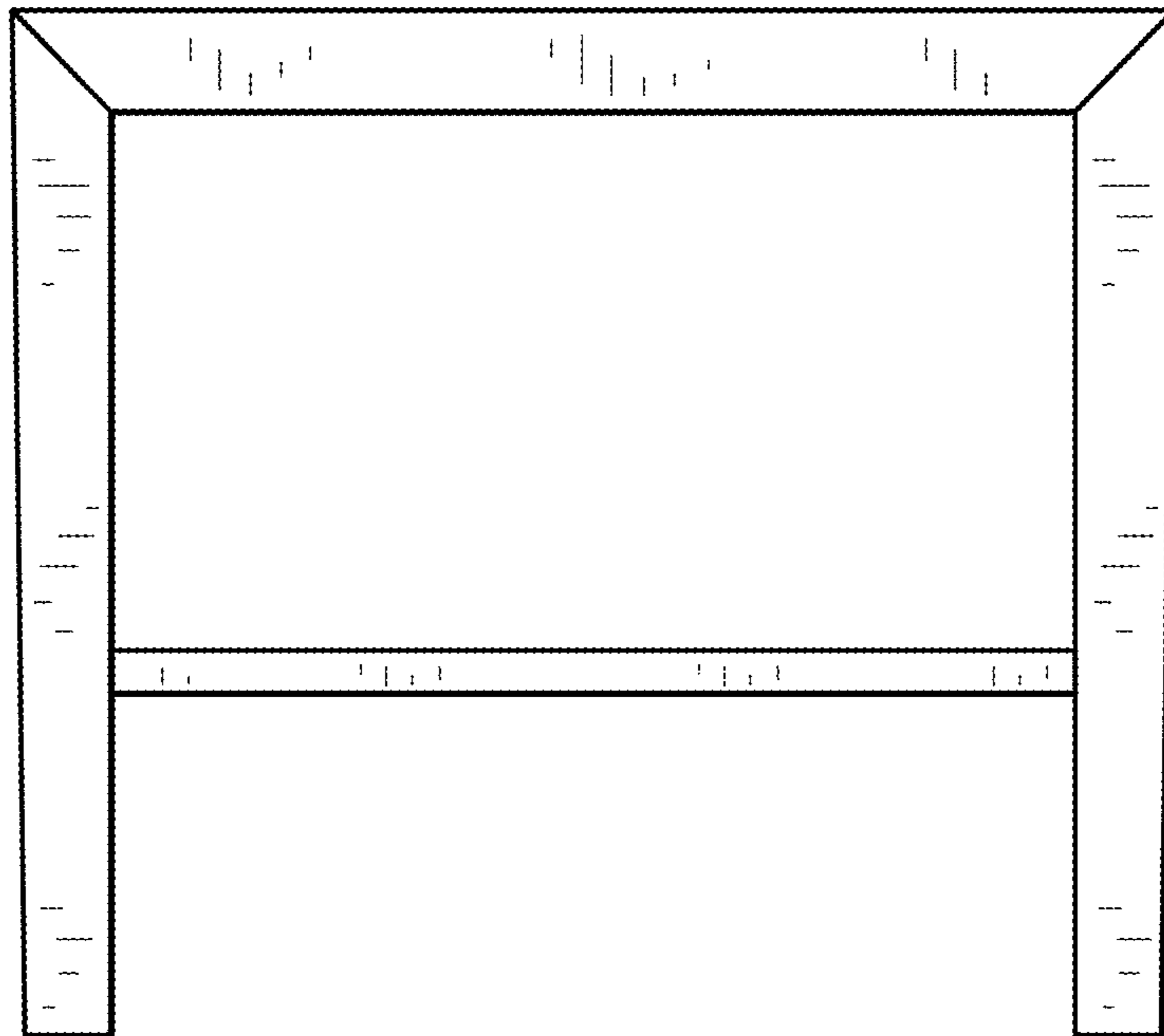


FIG. 3

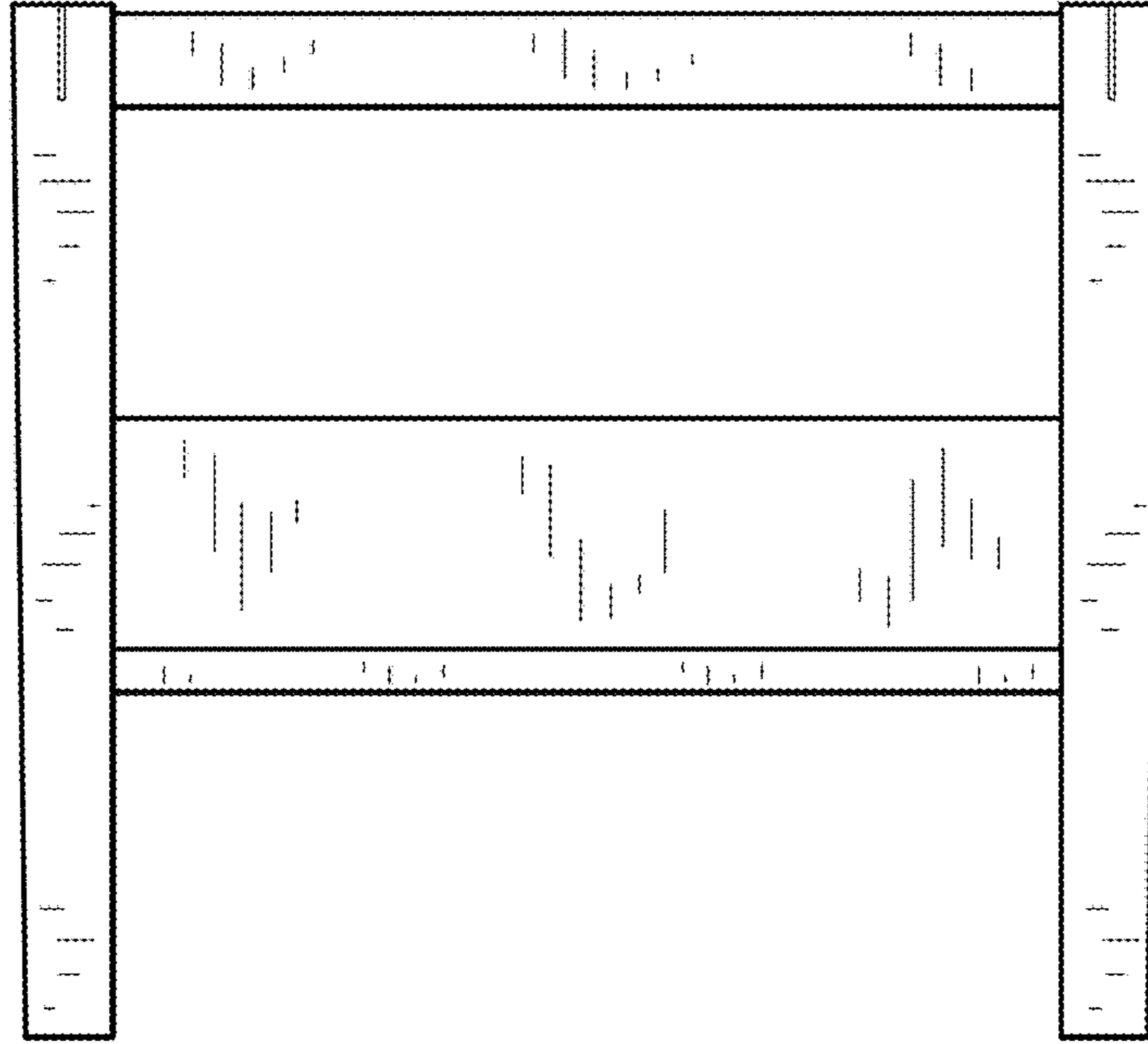


FIG. 4

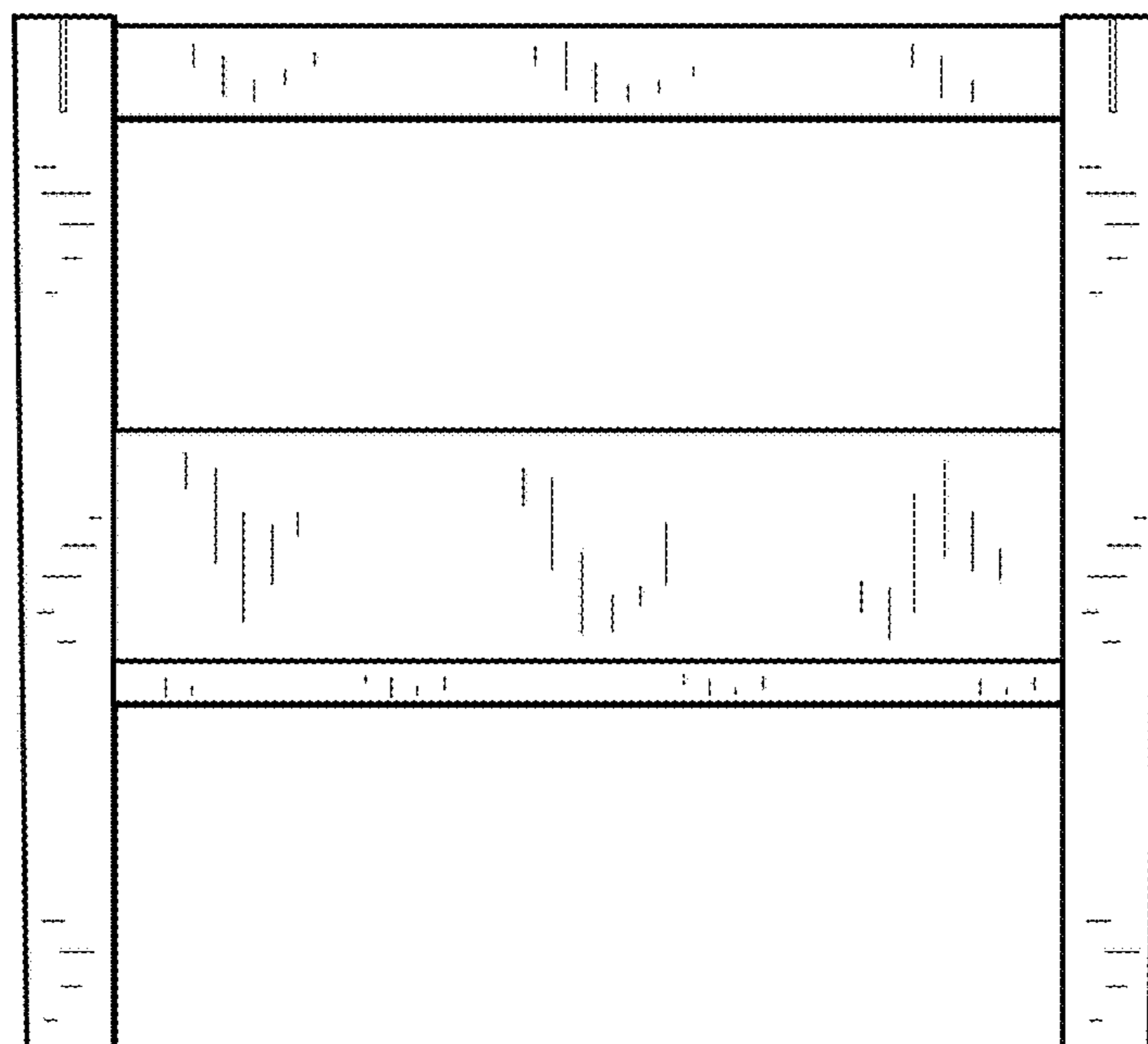


FIG. 5

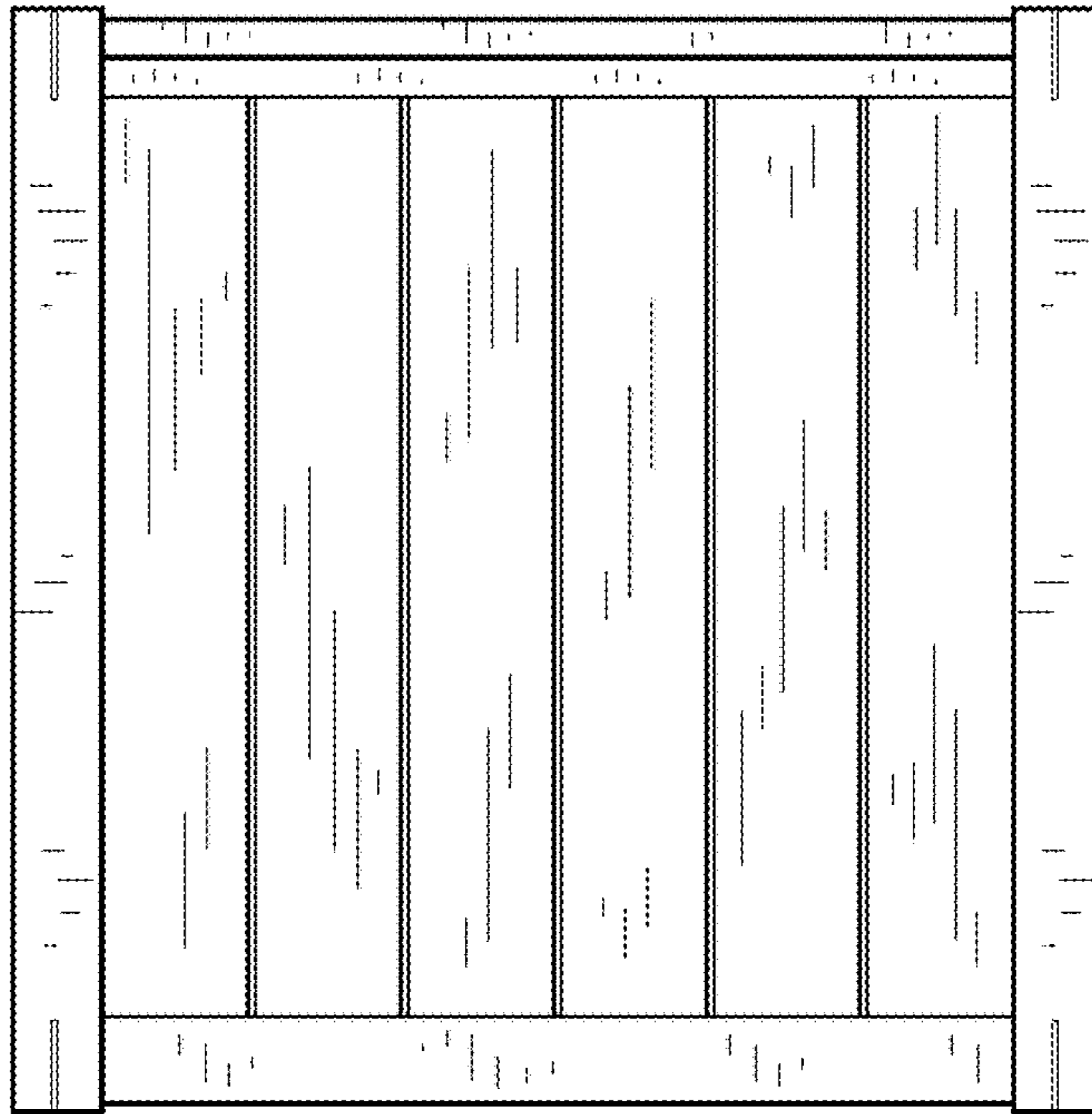


FIG. 6

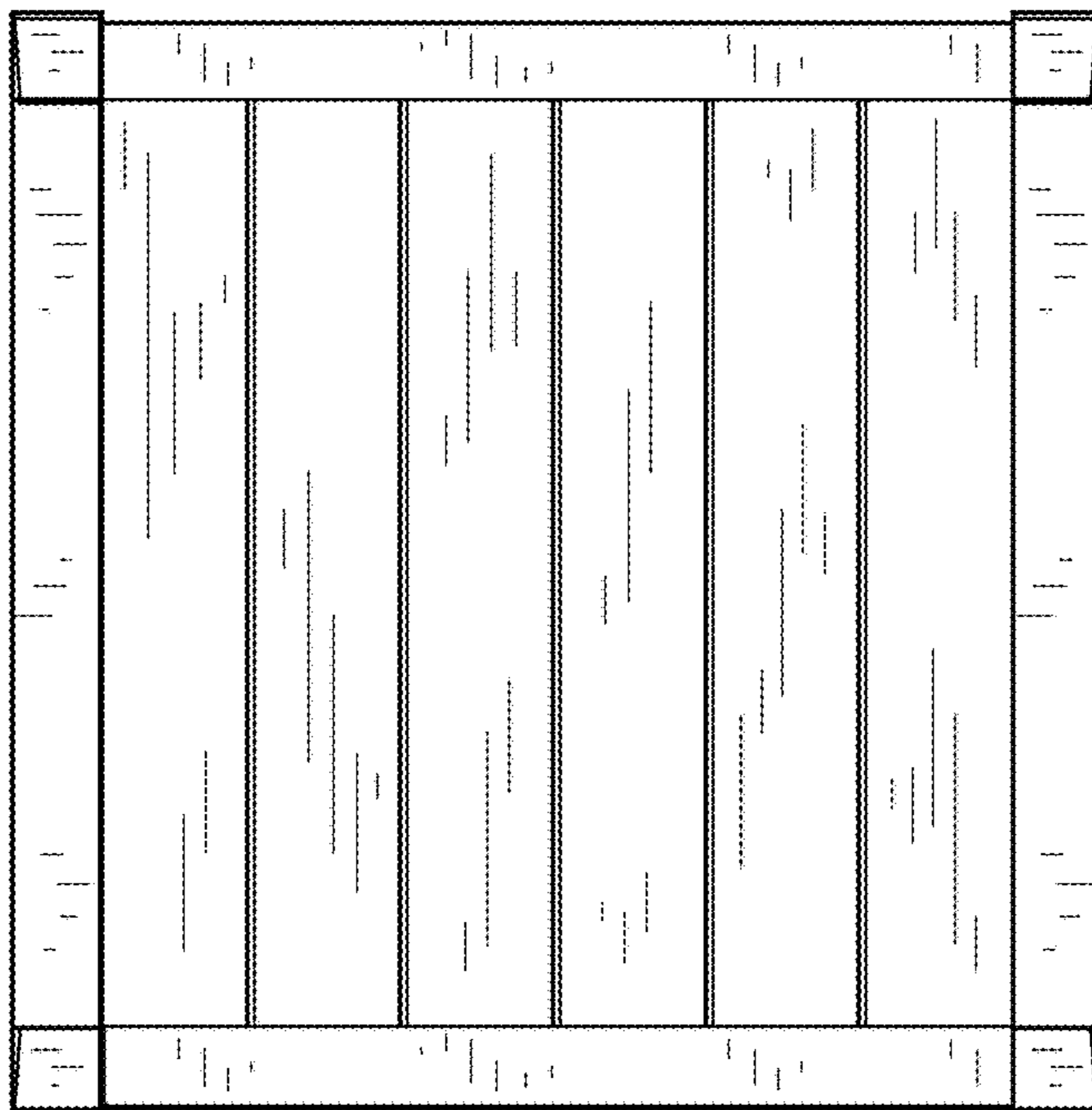


FIG. 7

