



US00D819353S

(12) **United States Design Patent** (10) **Patent No.:** **US D819,353 S**
Li (45) **Date of Patent:** **** Jun. 5, 2018**

(54) **LOUNGE CHAIR**
(71) Applicant: **STORIMODERN, LLC**, Wilmington, DE (US)
(72) Inventor: **Site Li**, Irving, TX (US)
(73) Assignee: **STORIMODERN, LLC**, Wilmington, DE (US)
(**) Term: **15 Years**
(21) Appl. No.: **29/562,975**
(22) Filed: **Apr. 29, 2016**
(51) **LOC (11) Cl.** **06-01**
(52) **U.S. Cl.**
USPC **D6/369**
(58) **Field of Classification Search**
USPC D6/334-336, 344, 347, 348, 361, D6/369-376, 380-381, 716, 716.1-716.4; 297/280
CPC .. A47C 11/00; A47C 4/02; A47C 4/03; A47C 3/04; A47C 7/16; A47C 4/022
See application file for complete search history.

D569,122 S * 5/2008 Flaherty D6/381
D646,498 S * 10/2011 Blasini D6/375
D658,397 S * 5/2012 Andreucci D6/372
D671,756 S * 12/2012 Kweton D6/348
D684,395 S * 6/2013 Leemkuil D6/372
D719,367 S * 12/2014 Karasek D6/370
D719,368 S * 12/2014 Karasek D6/370

OTHER PUBLICATIONS

Novel Lounge Chair [online] found on Feb. 9, 2018 from URL <http://www.storimodern.com/novel-lounge-chair.html>.
Tabloid Lounge Chair [online] found on Feb. 9, 2018 from URL <http://www.storimodern.com/tabloid-lounge-chair.html>.

* cited by examiner

Primary Examiner — Vy Koenig
Assistant Examiner — Keith Wilson
(74) *Attorney, Agent, or Firm* — Mark W Handley

(57) **CLAIM**

The ornamental design for a lounge chair, as shown and described.

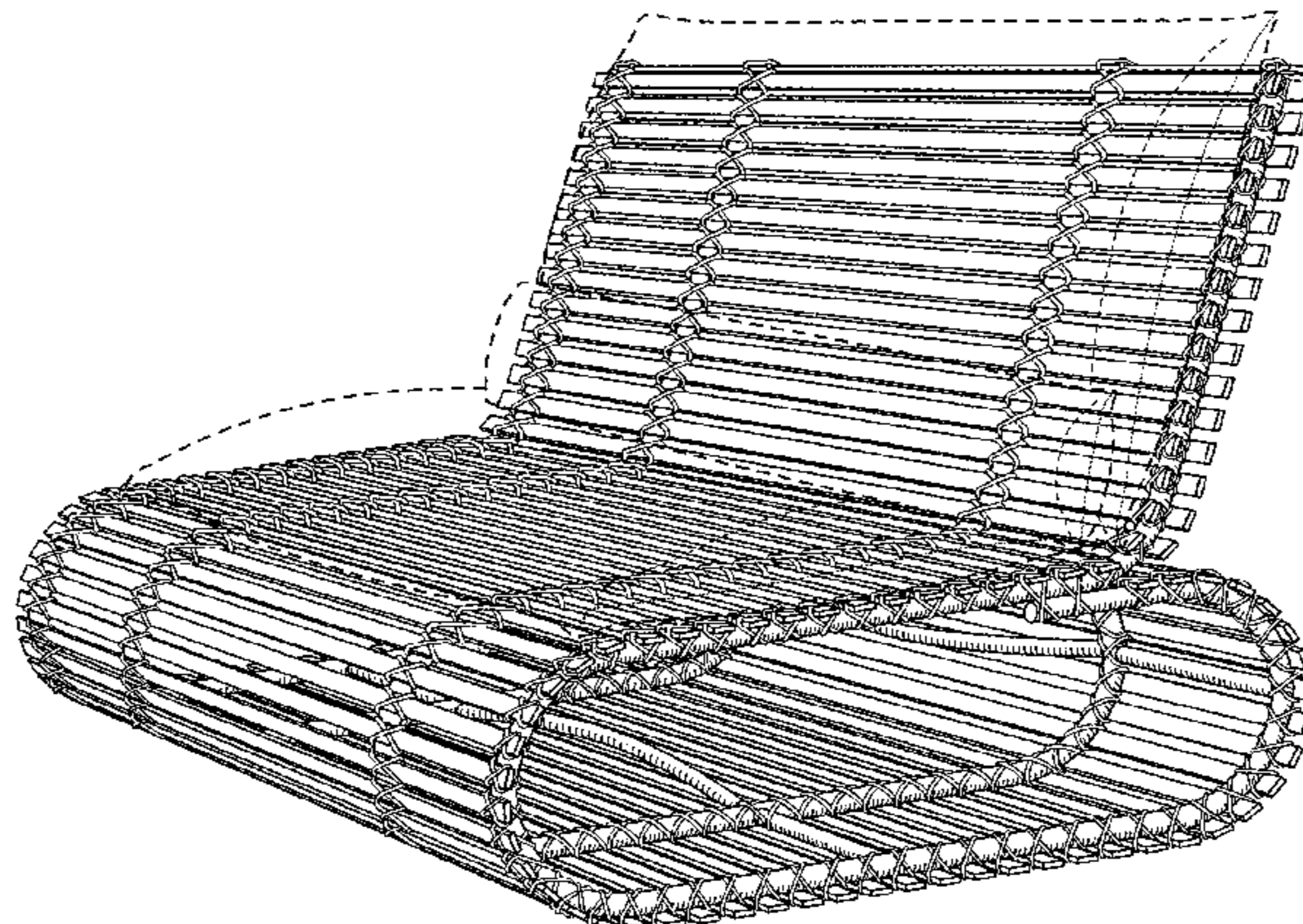
DESCRIPTION

FIG. 1 is a perspective view of a lounge chair embodying my design;
FIG. 2 is a front view of the lounge chair;
FIG. 3 is a rear view of the lounge chair;
FIG. 4 is a top view of the lounge chair;
FIG. 5 is a bottom view of the lounge chair;
FIG. 6 is a right side view of the lounge chair; and
FIG. 7 is a left side view of the lounge chair; and,
FIG. 8 is a perspective view of the lounge chair, showing a seat cushion, a back cushion and a pillow placed on the chair.

The broken lines in FIG. 1 illustrate the environment in which the claimed design is used, namely showing a pillow a seat cushion and a back cushion. None of the broken-line matter forms a part of the claimed design.

1 Claim, 5 Drawing Sheets

(56) **References Cited**
U.S. PATENT DOCUMENTS
D103,956 S * 4/1937 Rink D6/347
D263,353 S * 3/1982 Beals D6/370
D325,676 S * 4/1992 Parker D6/361
D327,584 S * 7/1992 Braxton, III D6/334
D338,563 S * 8/1993 Chiang D6/344
D361,901 S * 9/1995 Szekely D6/370
D383,627 S * 9/1997 Kane D6/370
D384,512 S * 10/1997 Skalka D6/370
5,957,536 A * 9/1999 Sullivan A47C 11/00
297/280
D414,952 S * 10/1999 Slear D6/370
D426,393 S * 6/2000 Saad Rionda D6/361
D439,757 S * 4/2001 Saad Rionda D6/361
D472,744 S * 4/2003 Noll D6/344
D520,257 S * 5/2006 Ng D6/375



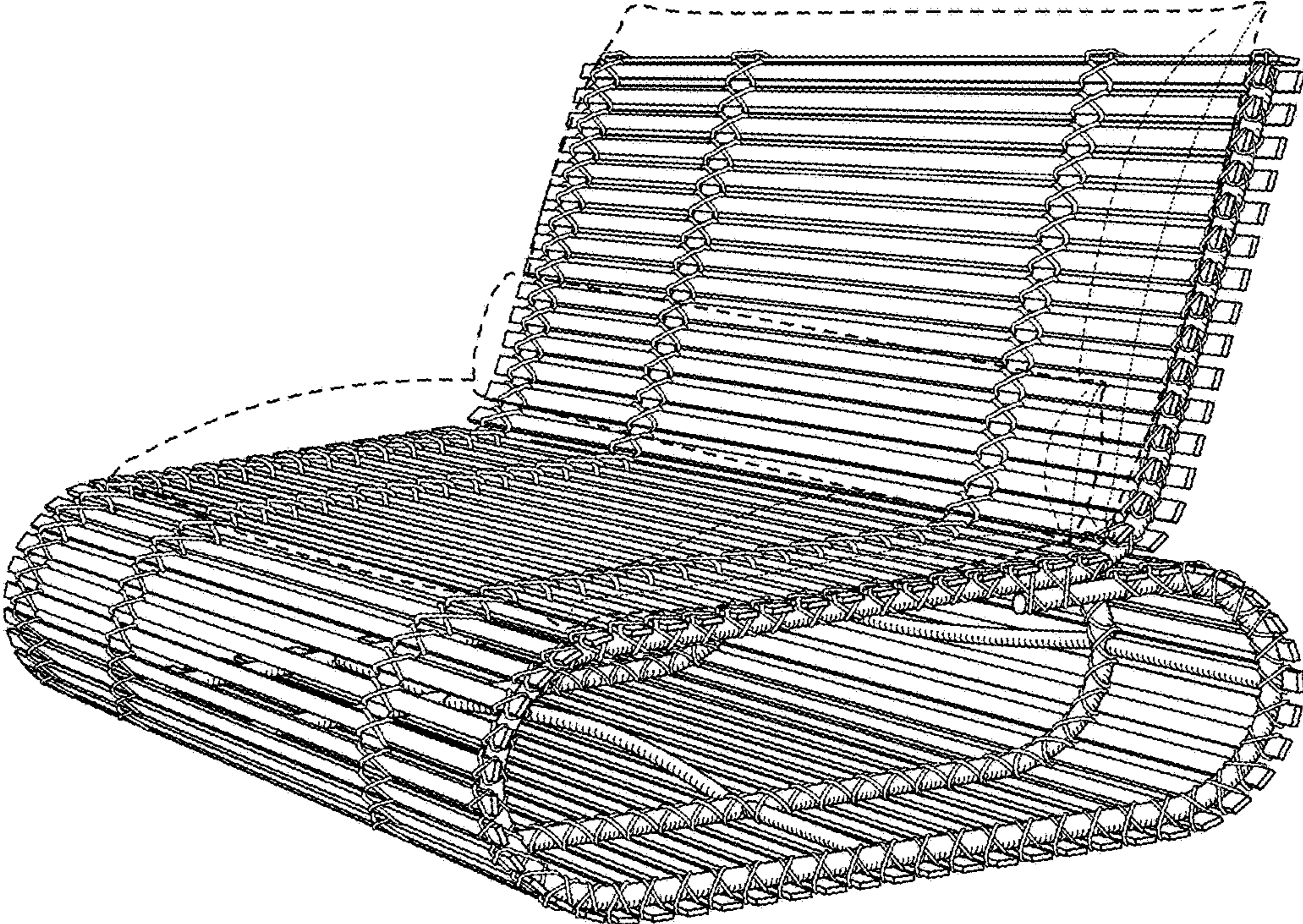


FIG. 1

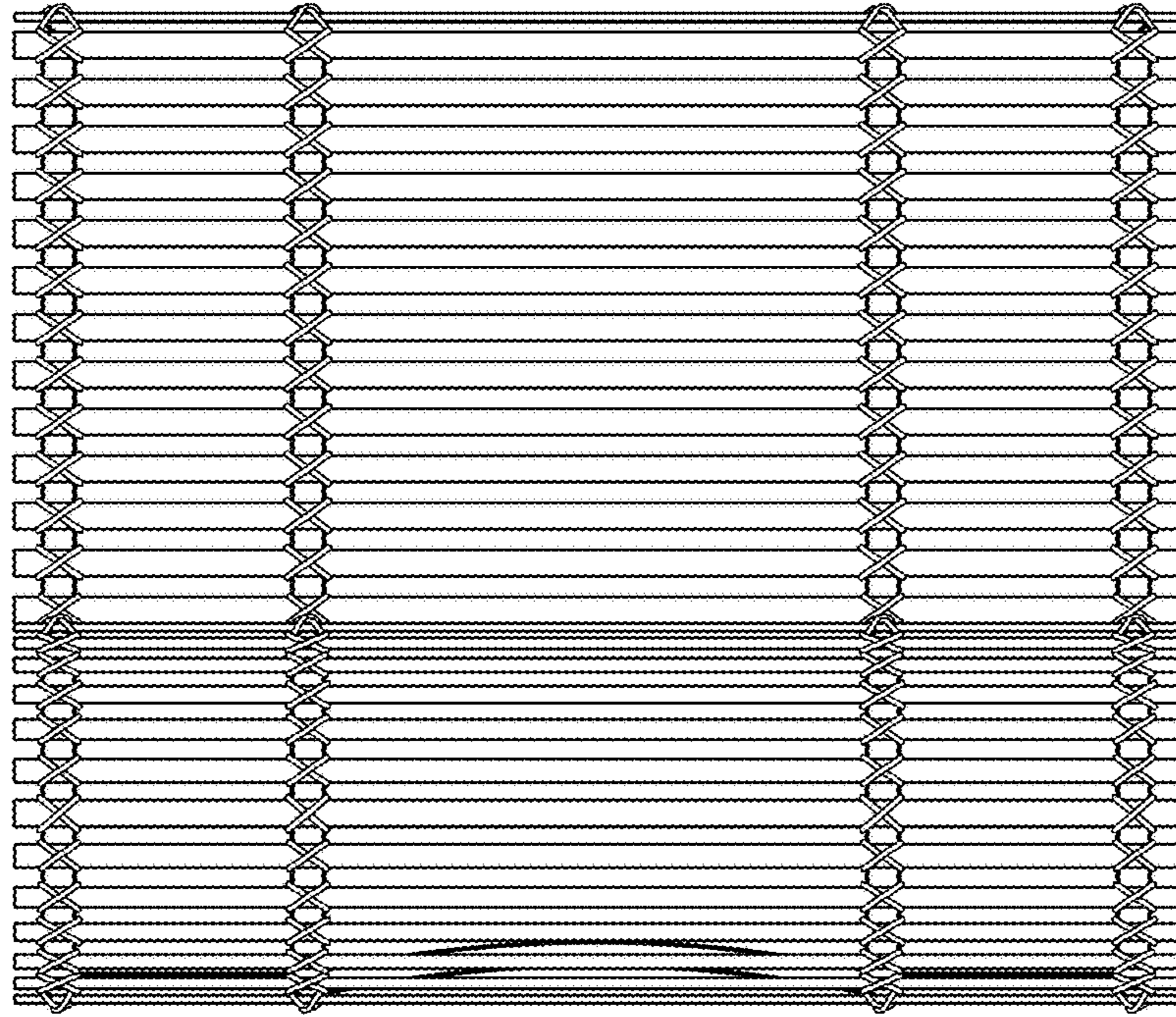


FIG. 2

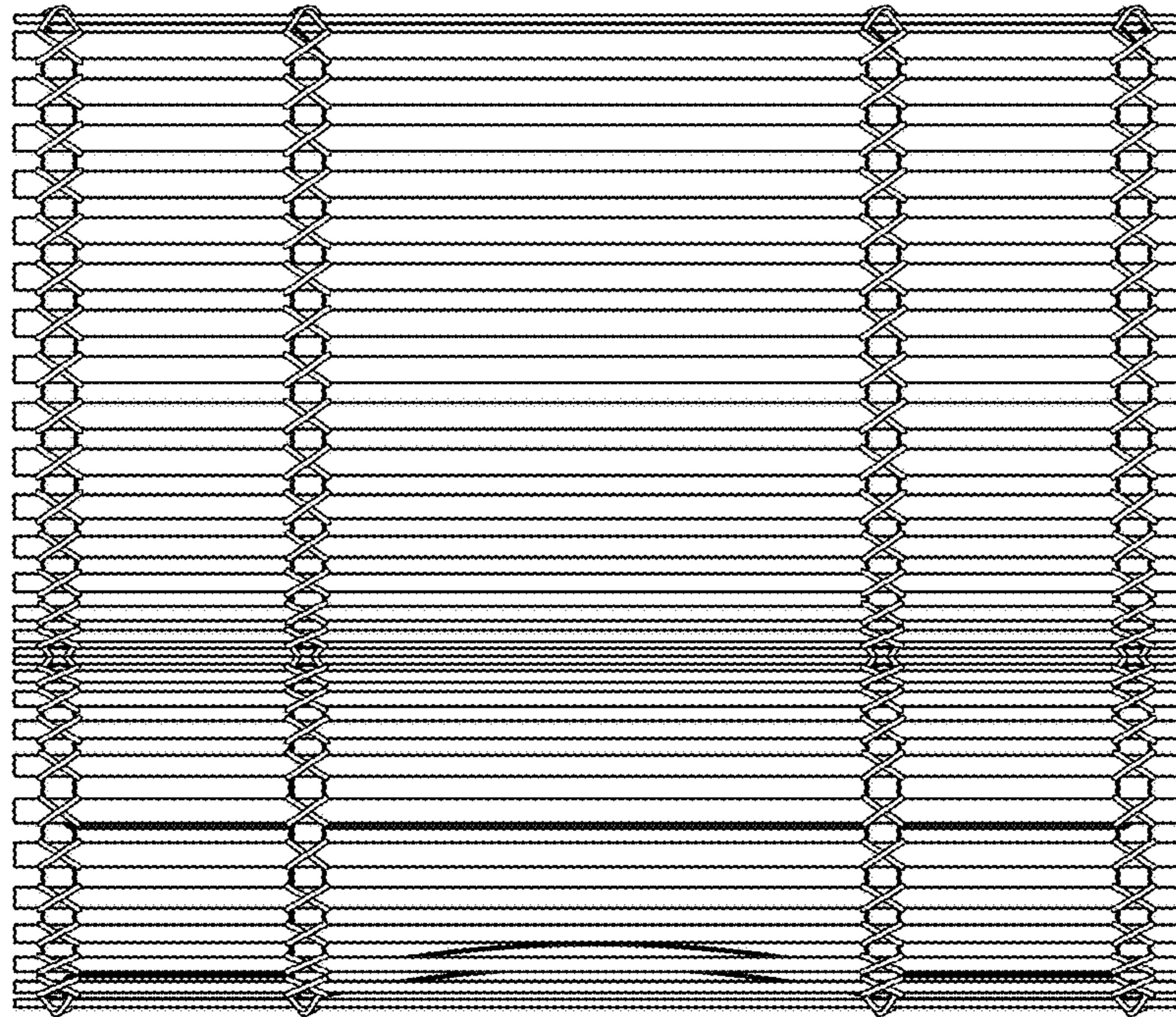


FIG. 3

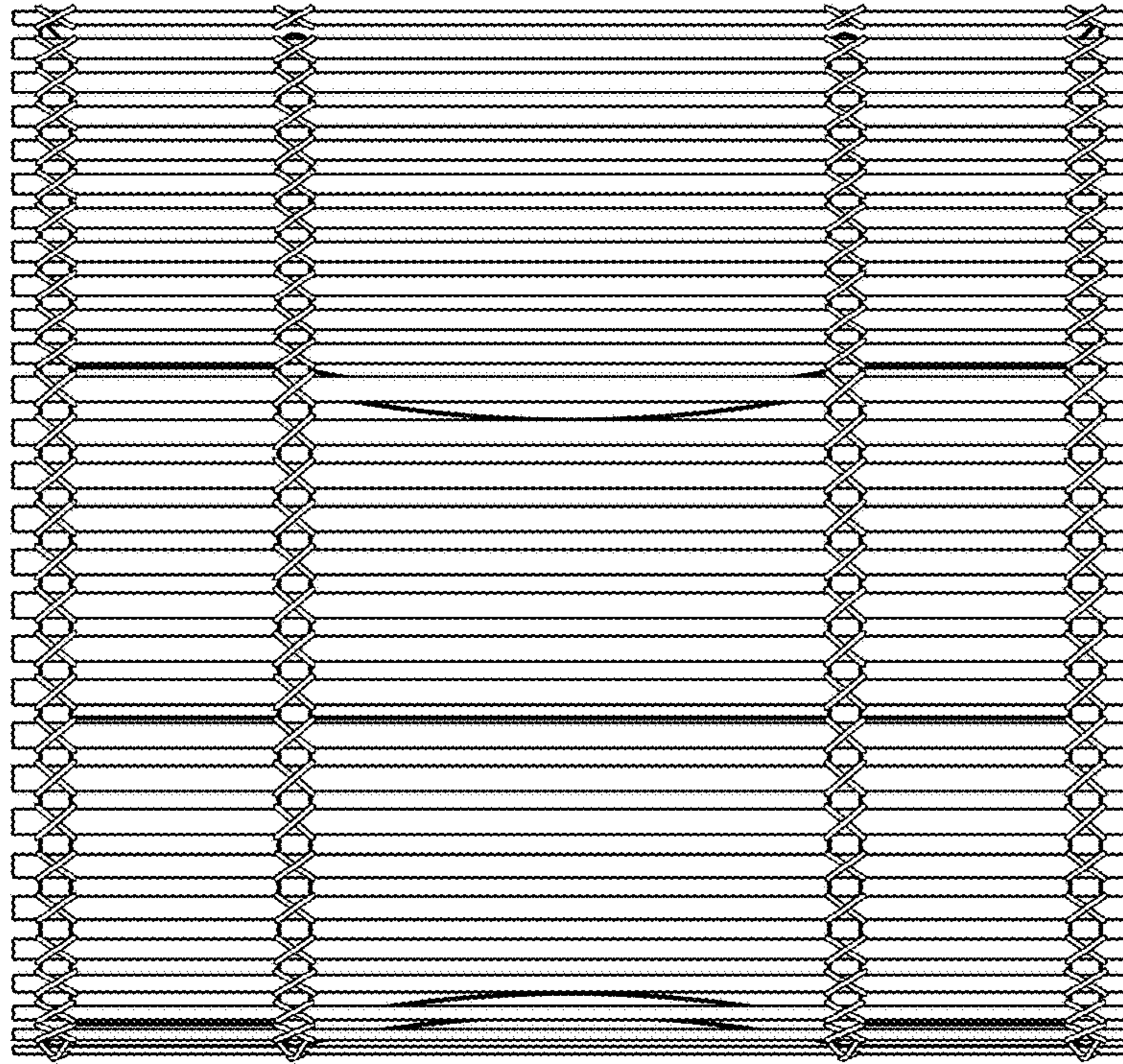


FIG. 4

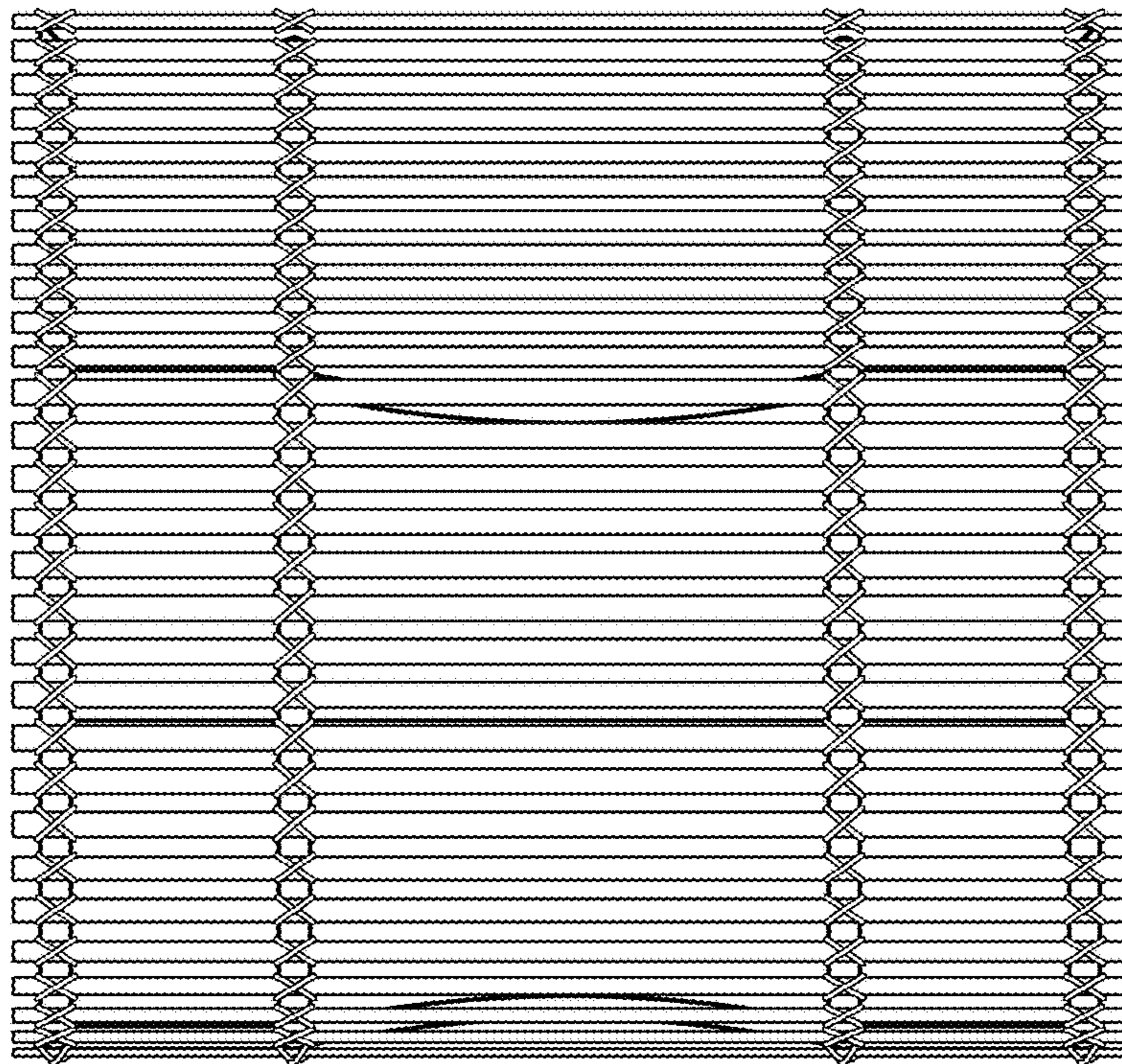


FIG. 5

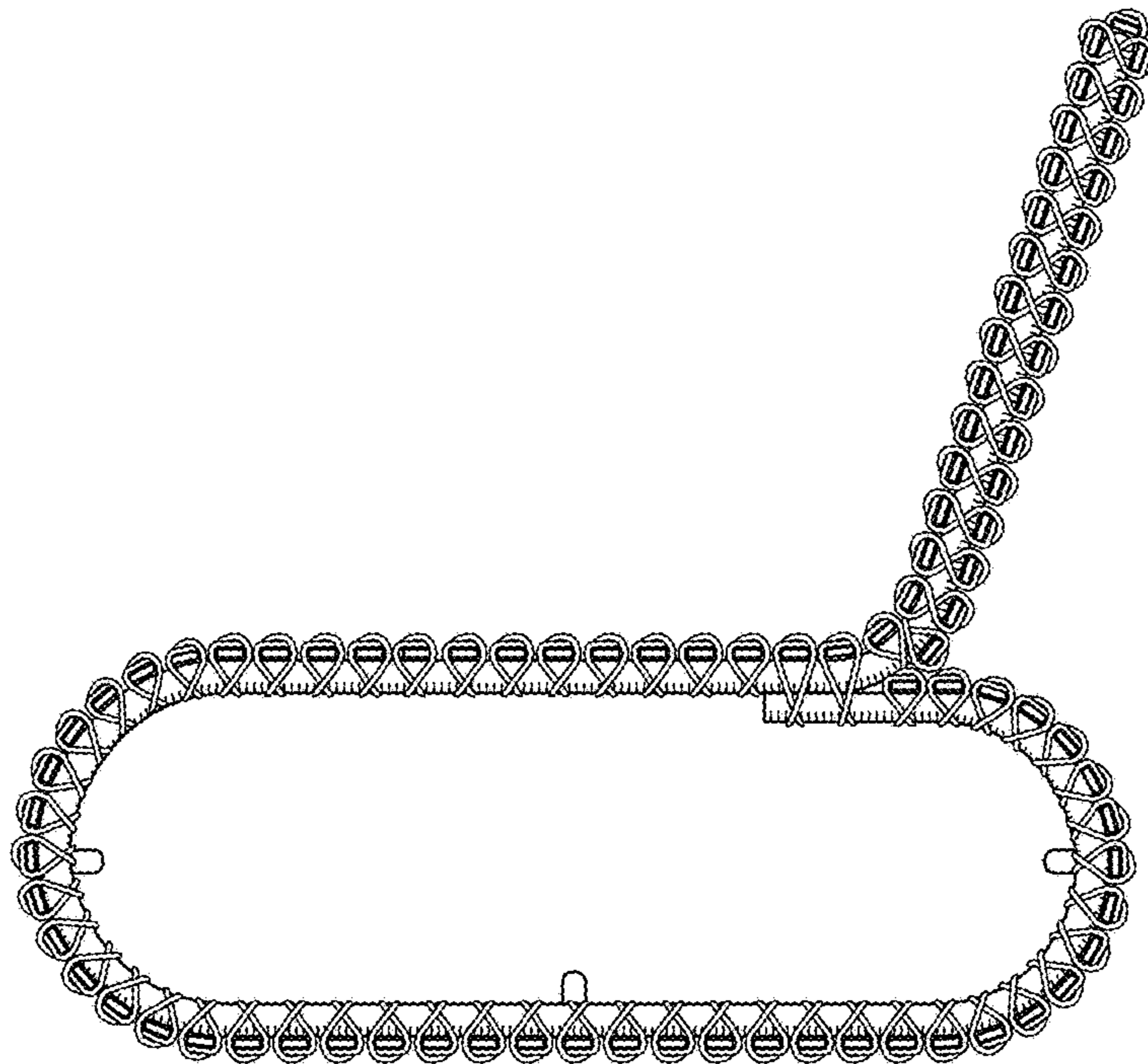


FIG. 6

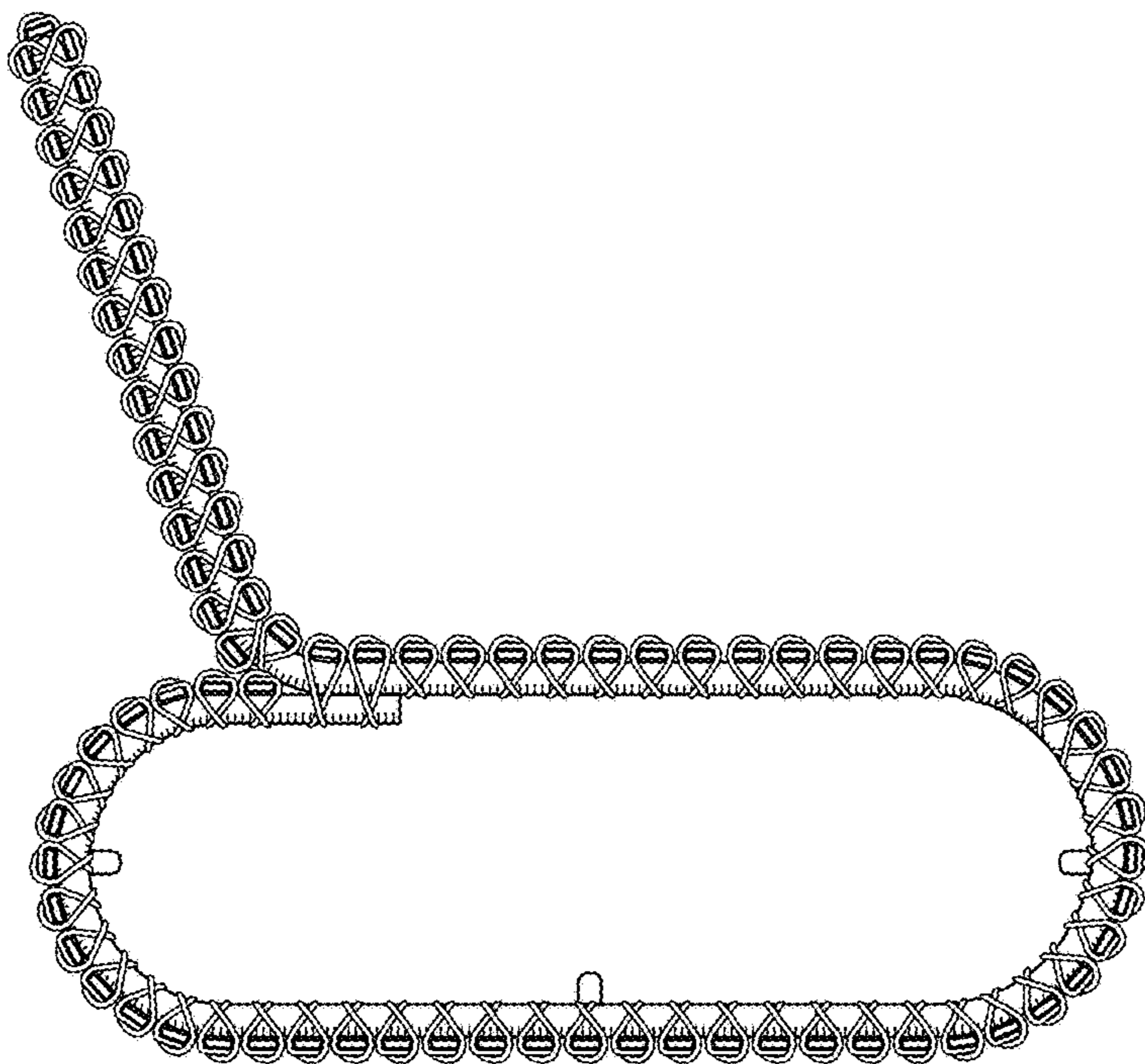


FIG. 7

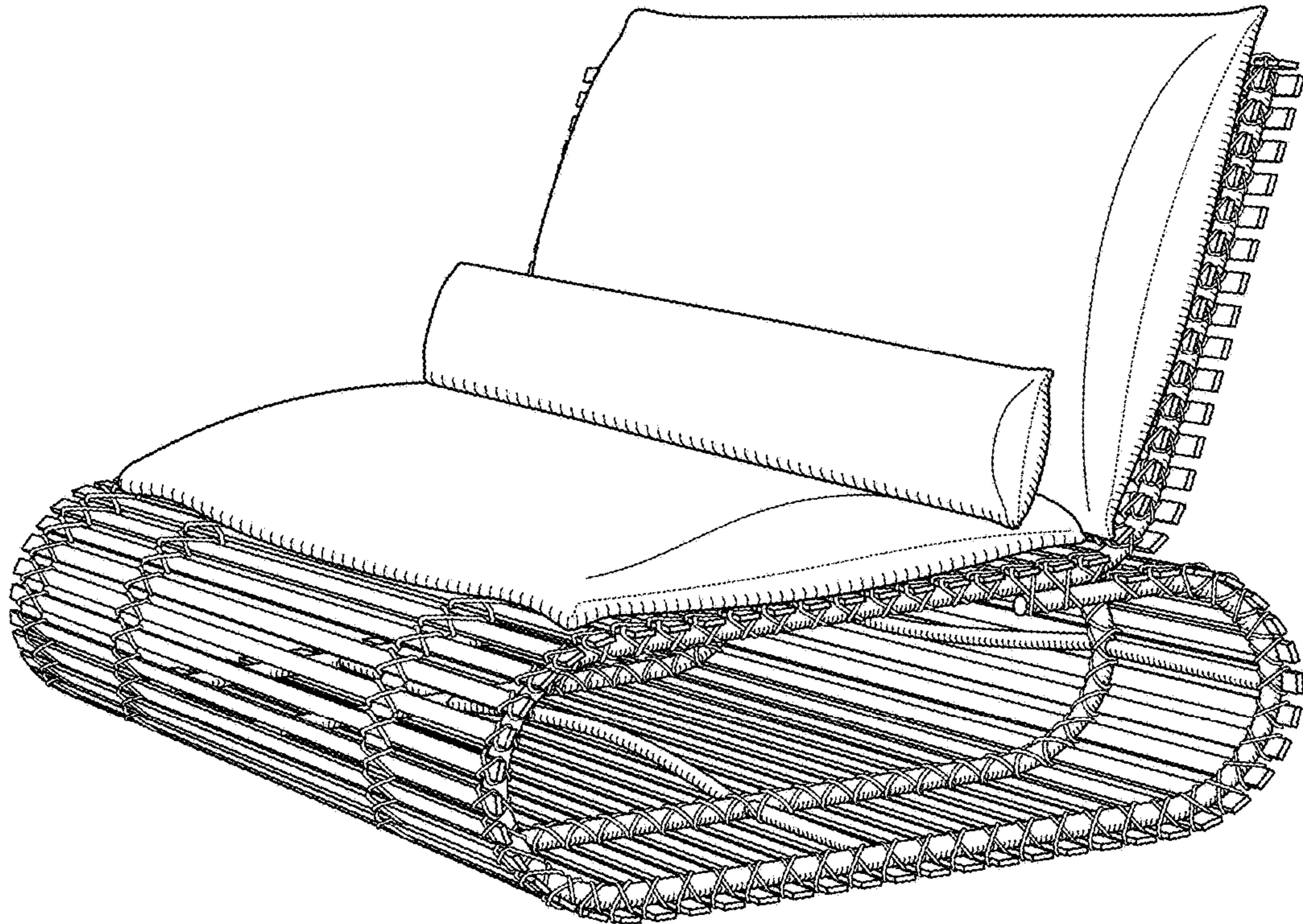


FIG. 8