



US00D819348S

(12) **United States Design Patent**
Hassman

(10) **Patent No.:** **US D819,348 S**
(45) **Date of Patent:** **** Jun. 5, 2018**

(54) **HANGING VERTICAL FOOTBALL CHAIR**

(71) Applicant: **Ellen Hassman**, Hollywood, FL (US)

(72) Inventor: **Ellen Hassman**, Hollywood, FL (US)

(**) Term: **15 Years**

(21) Appl. No.: **29/606,762**

(22) Filed: **Jun. 7, 2017**

(51) **LOC (11) Cl.** **06-01**

(52) **U.S. Cl.**
USPC **D6/345; D6/347**

(58) **Field of Classification Search**
USPC D6/345, 347, 344, 351, 358, 388, 404,
D6/658, 665, 674, 688, 703.6, 707.1,
D6/708.1, 709.1, 717.1, 718.15, 718.27,
D6/539, 597, 303, 316; D10/6;
D21/315, 318, 319, 708, 709, 712, 713,
D21/780, 816, 825, 831, 836; D11/48,
D11/81, 99, 133, 157; D20/29; D9/516,
D9/549, 550, 563
CPC A47D 13/105; A47D 13/107; A47C 1/00;
A47C 3/00; A47C 3/02; A47C 3/025;
A47C 3/0255
See application file for complete search history.

(56) **References Cited**

U.S. PATENT DOCUMENTS

D252,602 S * 8/1979 Cirrone D6/358
D259,610 S * 6/1981 Martin D6/303
D266,040 S * 9/1982 Cope D6/347
D274,133 S * 6/1984 Dillon D10/6
D278,549 S * 4/1985 Kristich D21/823
D282,970 S * 3/1986 Parkin D25/16
D346,070 S * 4/1994 Kither D6/333
D348,361 S * 7/1994 Beecher D6/364
D369,476 S * 5/1996 Quill D6/344

D421,034 S * 2/2000 Shirley D16/227
D503,554 S * 4/2005 Kay D6/358
D522,260 S * 6/2006 Strachan D6/347
D536,888 S * 2/2007 Dykstra D6/358
D541,552 S * 5/2007 Weldon D3/271.9
D565,125 S * 3/2008 Collier D21/405
D575,079 S * 8/2008 Hirsh D6/665
D577,774 S * 9/2008 Lo D21/401
D596,675 S * 7/2009 Roman Moreno D20/29
D609,987 S * 2/2010 Moman D21/712
D698,696 S * 2/2014 McBurney D11/157
D738,128 S * 9/2015 Paslawski D6/358
D800,508 S * 10/2017 Peters D7/559
9,861,181 B2 * 1/2018 Wehner A45F 3/26
2003/0024448 A1 * 2/2003 Lieberman A47B 13/16
108/161
2007/0283611 A1 * 12/2007 Laurent G09F 23/00
40/700

* cited by examiner

Primary Examiner — Deanna L Pratt

(74) *Attorney, Agent, or Firm* — Robert M. Downey, P.A.

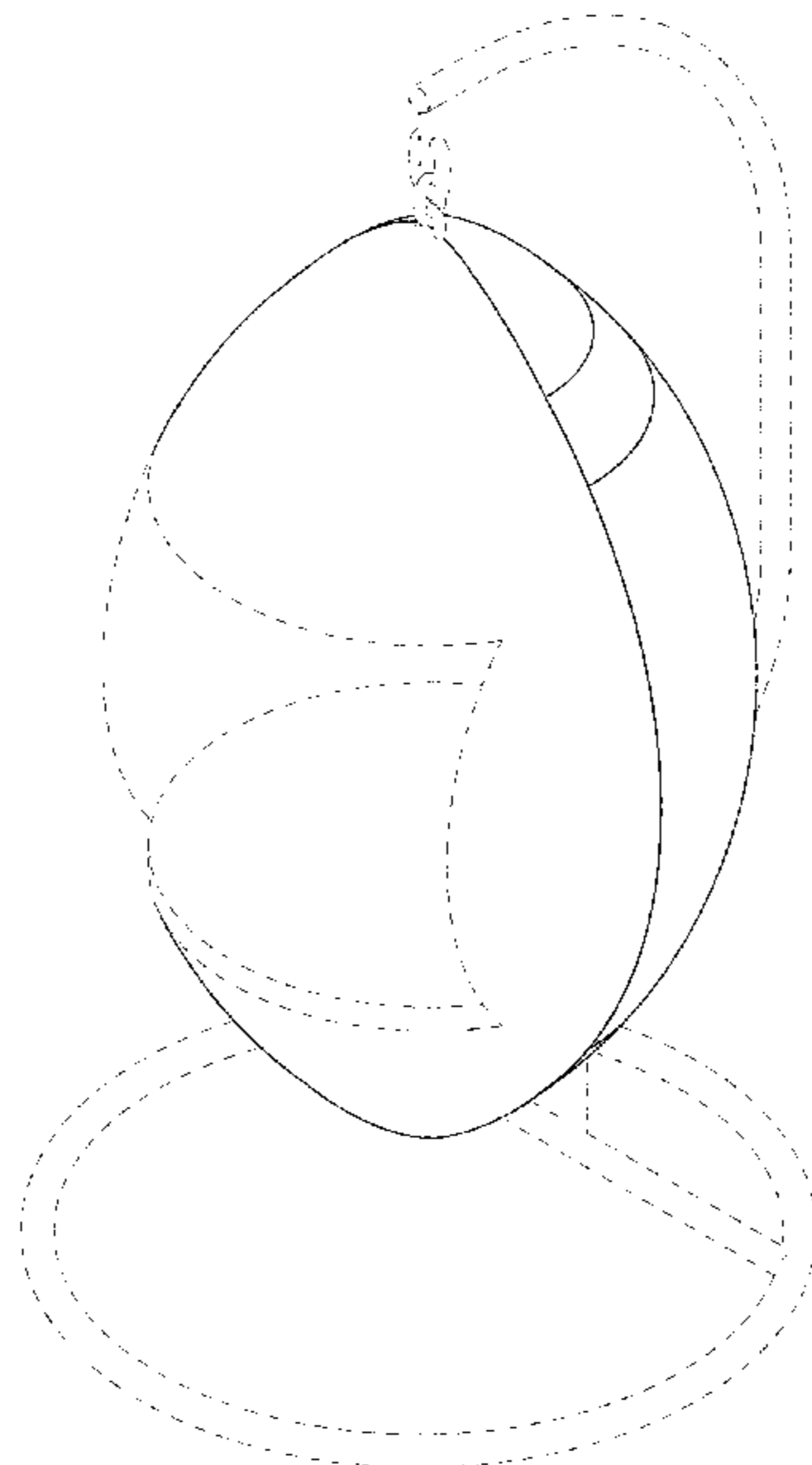
(57) **CLAIM**

The ornamental design for a hanging vertical football chair, as shown and described.

DESCRIPTION

FIG. 1 is a front, top perspective view of a hanging vertical football chair showing my new design;
FIG. 2 is a front elevational view thereof;
FIG. 3 is a rear elevational view thereof;
FIG. 4 is a left side elevational view thereof;
FIG. 5 is a right side elevational view thereof;
FIG. 6 is a top plan view thereof; and,
FIG. 7 is a bottom plan view thereof.
The broken lines illustrate portions of the hanging vertical football chair that form no part of the claimed design.

1 Claim, 7 Drawing Sheets



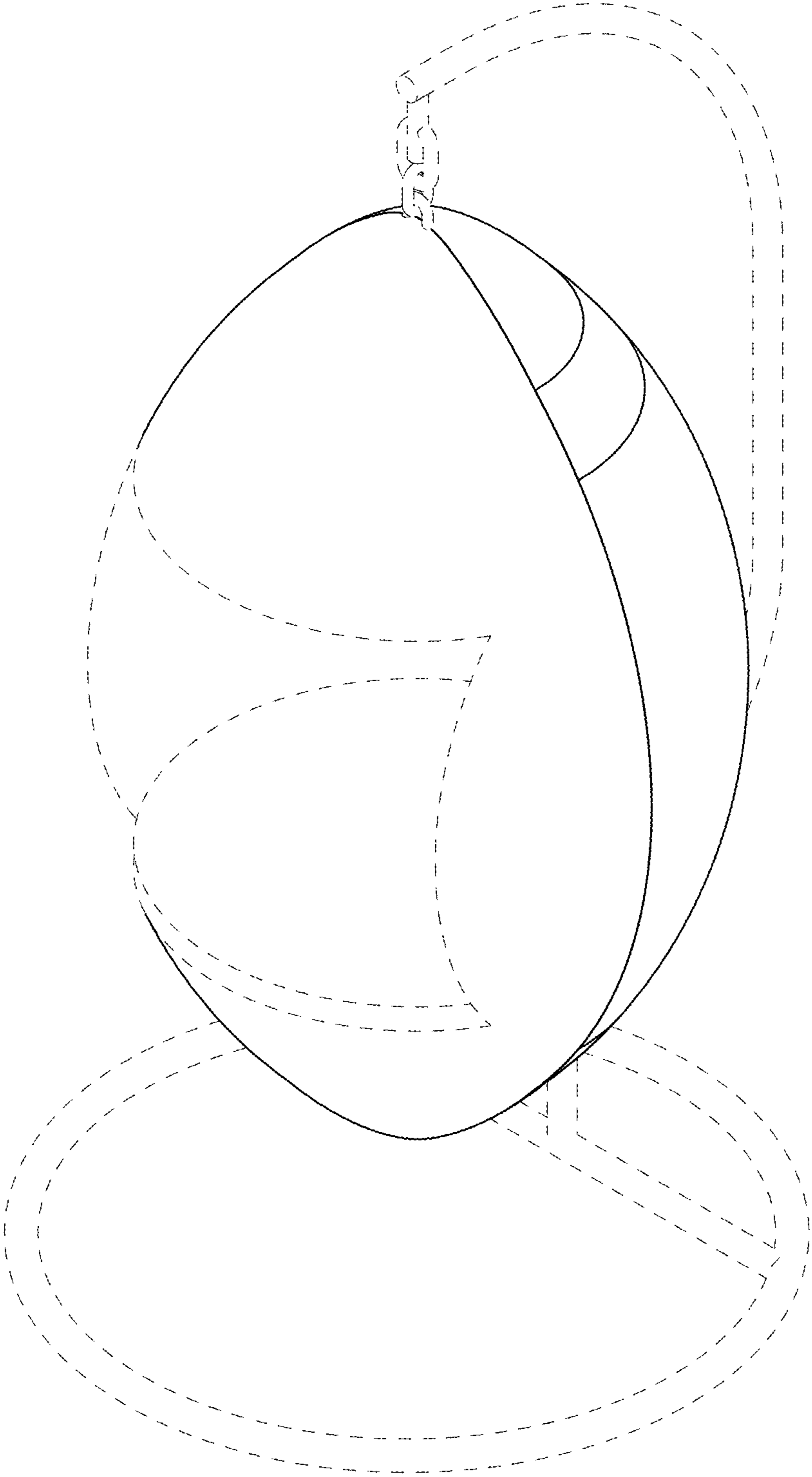


FIG. 1

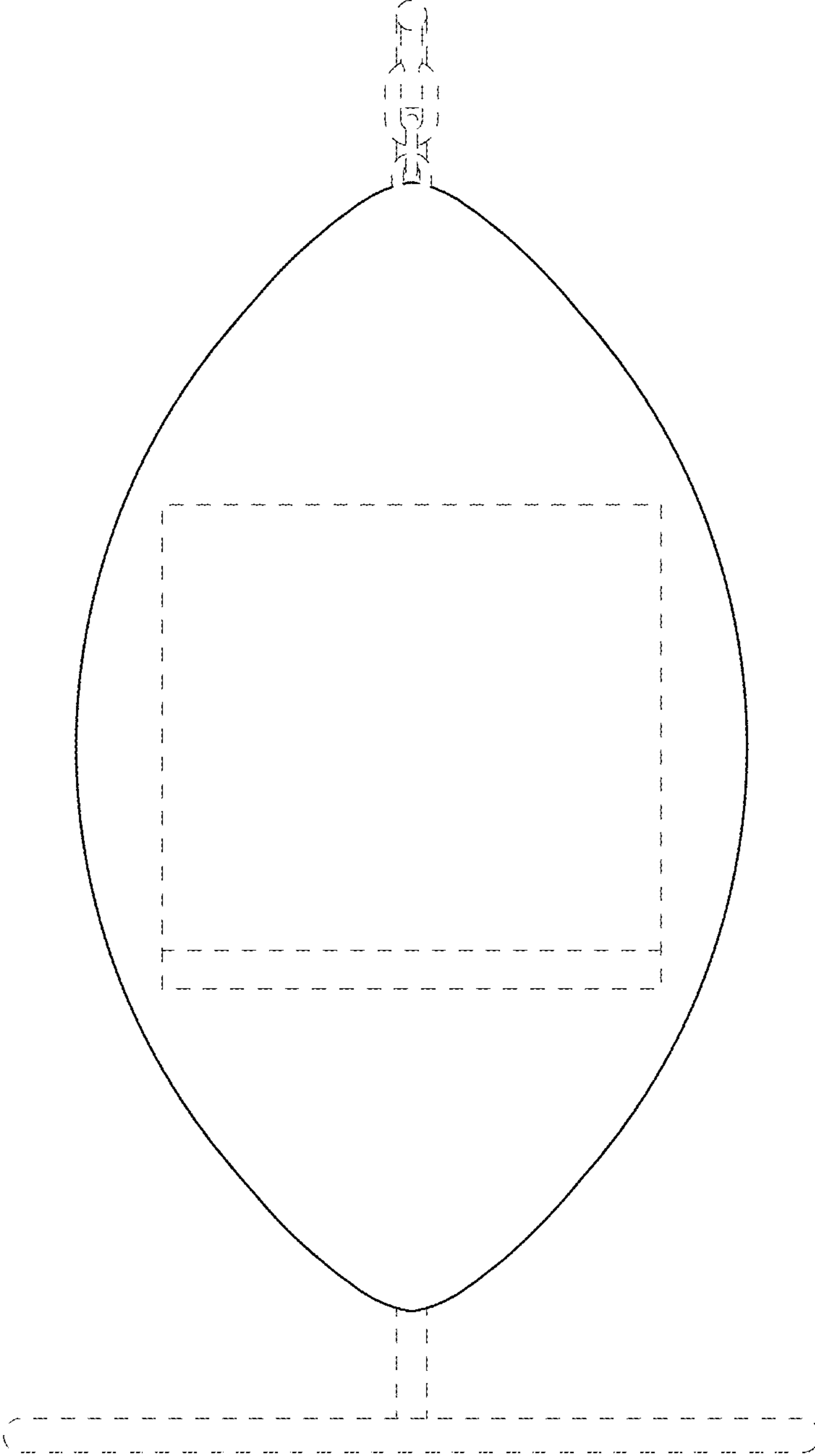


FIG. 2

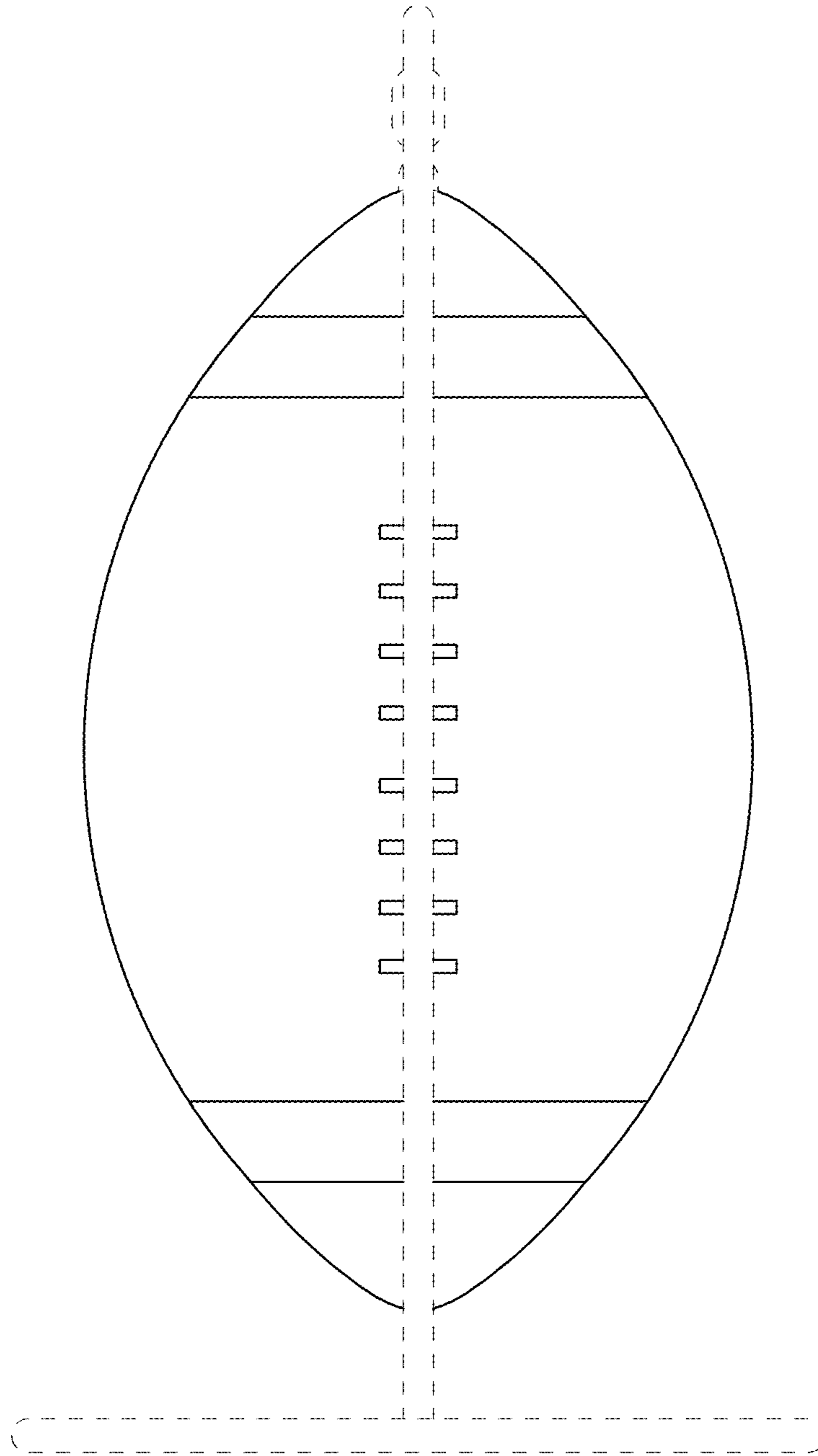


FIG. 3

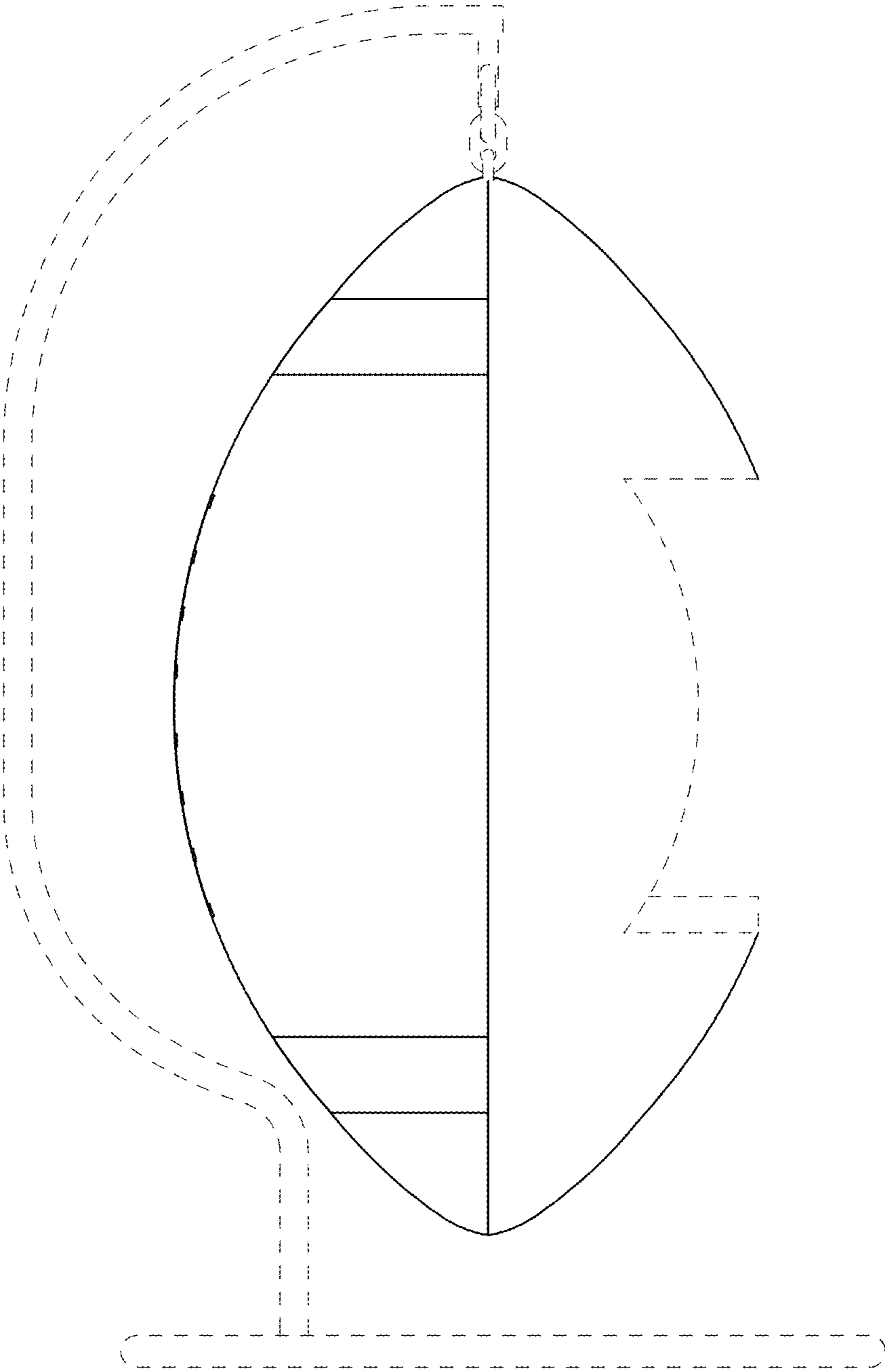


FIG. 4

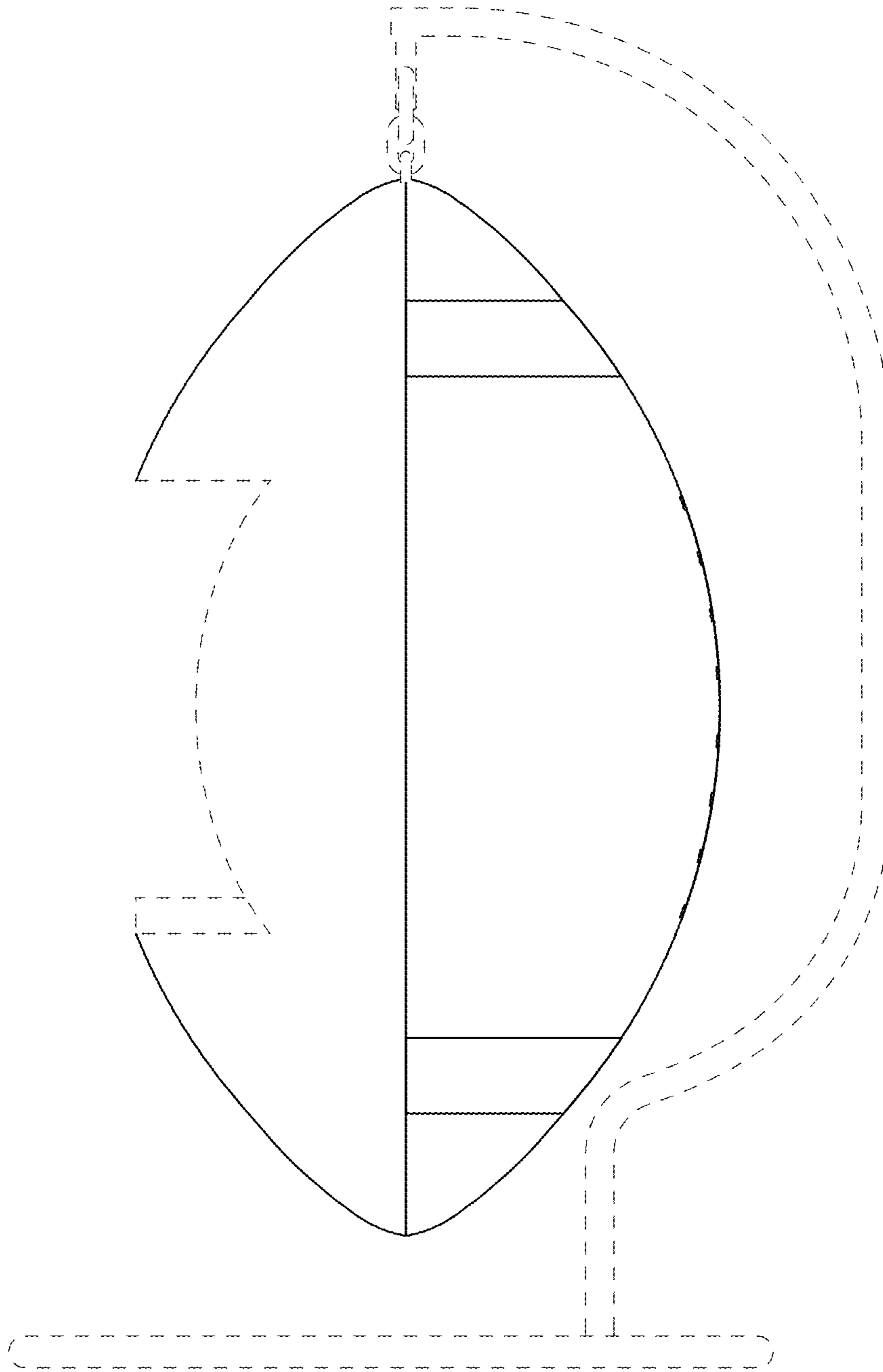


FIG. 5

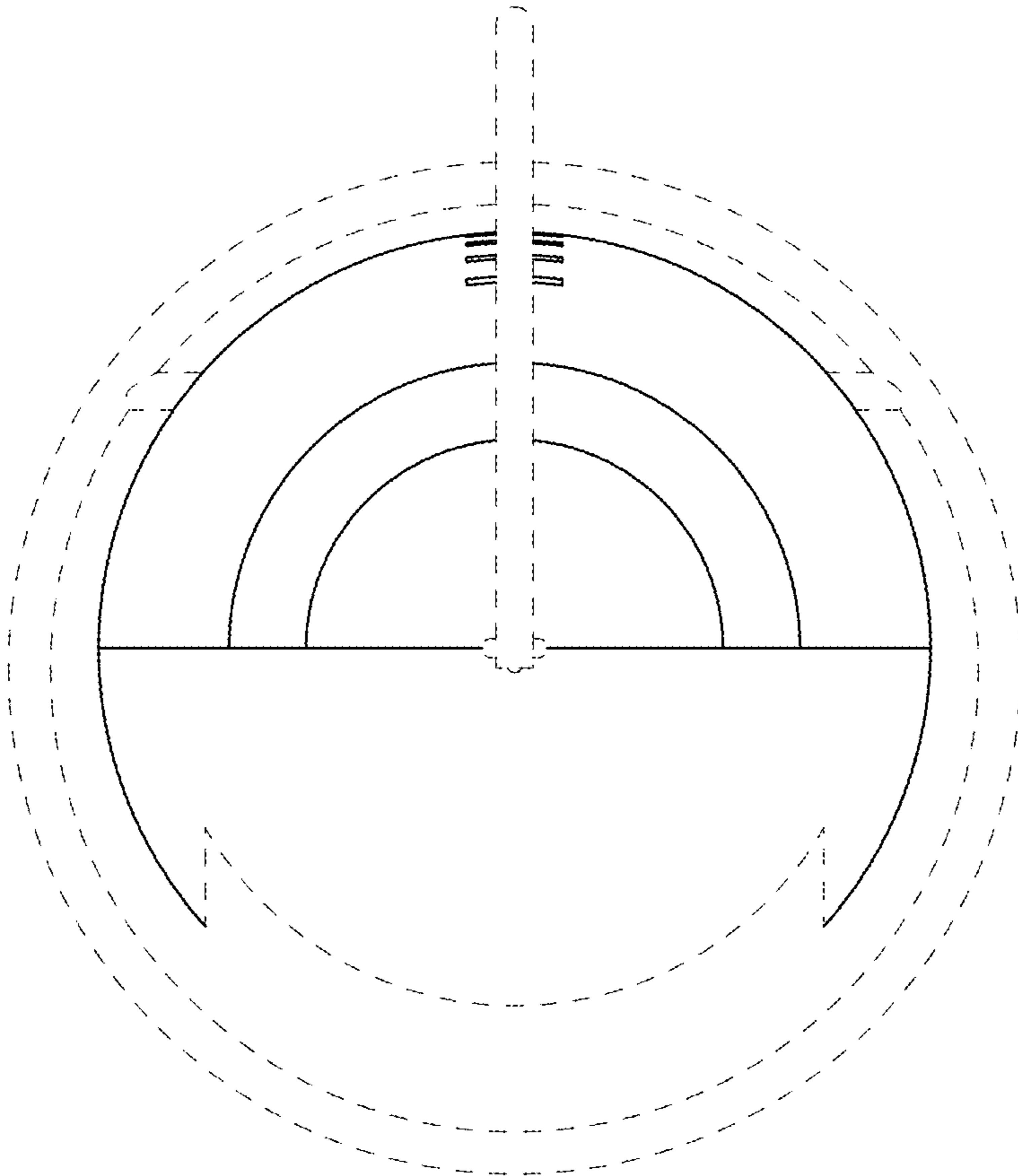


FIG. 6

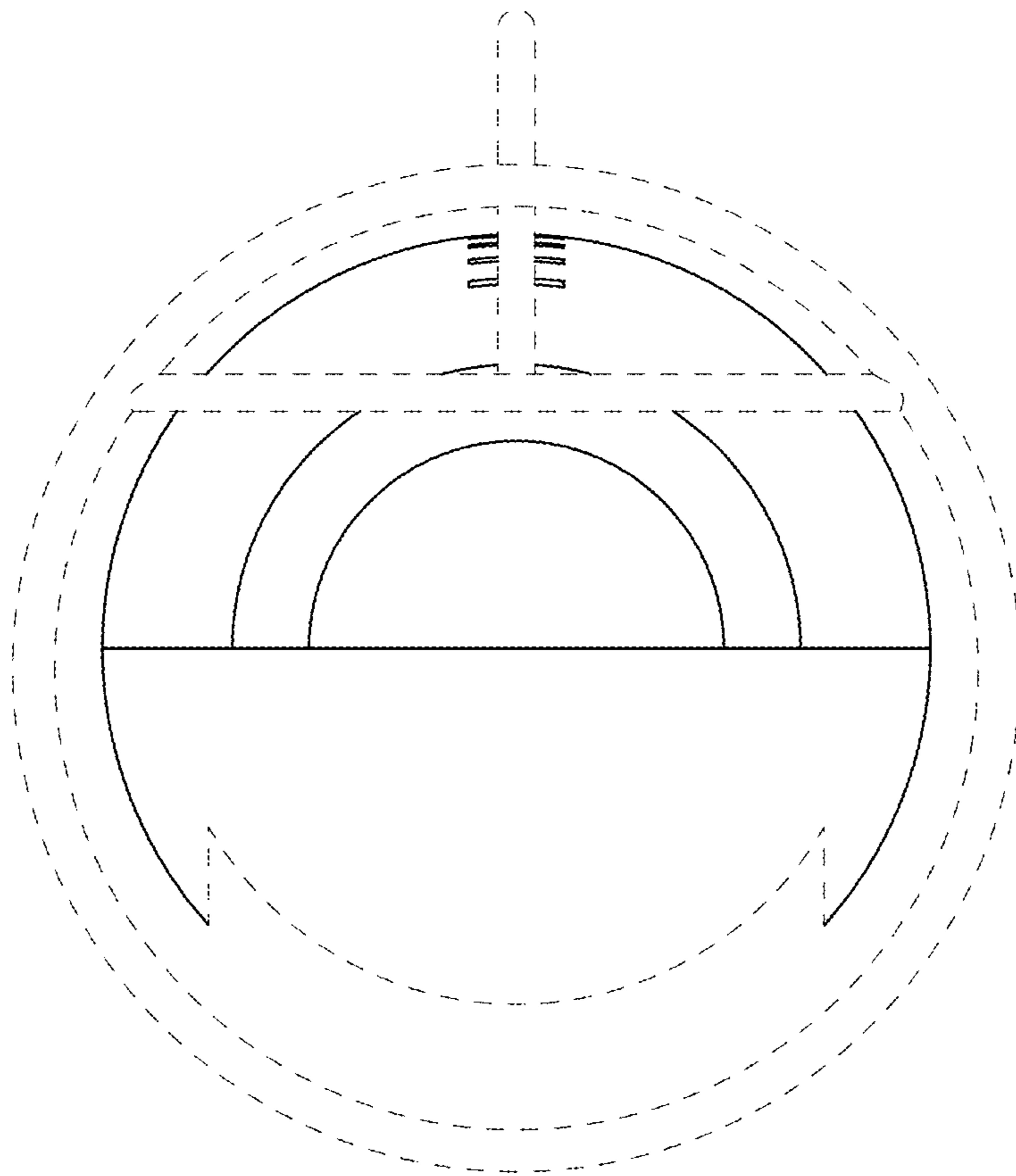


FIG. 7