



US00D819347S

(12) **United States Design Patent** (10) **Patent No.:** **US D819,347 S**
Young (45) **Date of Patent:** **** Jun. 5, 2018**

(54) **FOLDING BASSINET FRAME**

(71) Applicant: **Larktale Pty Ltd**, Brookvale (AU)

(72) Inventor: **Anthony Michael Young**, Brookvale (AU)

(73) Assignee: **LARKTALE PTY LTD**, Brookvale NSW (AU)

(**) Term: **15 Years**

(21) Appl. No.: **29/590,267**

(22) Filed: **Jan. 9, 2017**

(30) **Foreign Application Priority Data**

Jul. 12, 2016 (CN) 2016 3 0317772

(51) **LOC (11) Cl.** **06-01**

(52) **U.S. Cl.**
USPC **D6/333**

(58) **Field of Classification Search**
 USPC D6/333-335, 344, 339, 702, 716,
 D6/716.1-716.7; 4/572.1, 571.1, 578.1,
 4/586, 590; 297/183.1-183.4, 184.13,
 297/184.17, 256.1, 467, 487, 488, 445.1;
 D21/419, 412; 5/94, 98.2, 103-104, 93.1,
 5/99.1, 101, 98.1, 12.1; D12/129-130;
 280/30-31
 CPC A47C 3/029; A47C 3/025; A47C 3/021;
 A47C 3/0252

See application file for complete search history.

(56) **References Cited**

U.S. PATENT DOCUMENTS

D282,791 S *	3/1986	Lockett, III	D6/333
D337,894 S *	8/1993	Mariol	D6/333
D447,879 S *	9/2001	Hsia	D6/333
D478,220 S *	8/2003	Chang	D6/333
D492,851 S *	7/2004	Kane	D6/333
D648,144 S *	11/2011	Oren	D6/344
D751,305 S *	3/2016	Robbins	D6/333
D796,853 S *	9/2017	Bassan	D6/333

* cited by examiner

Primary Examiner — Abraham Bahta

(74) *Attorney, Agent, or Firm* — Dorsey & Whitney LLP

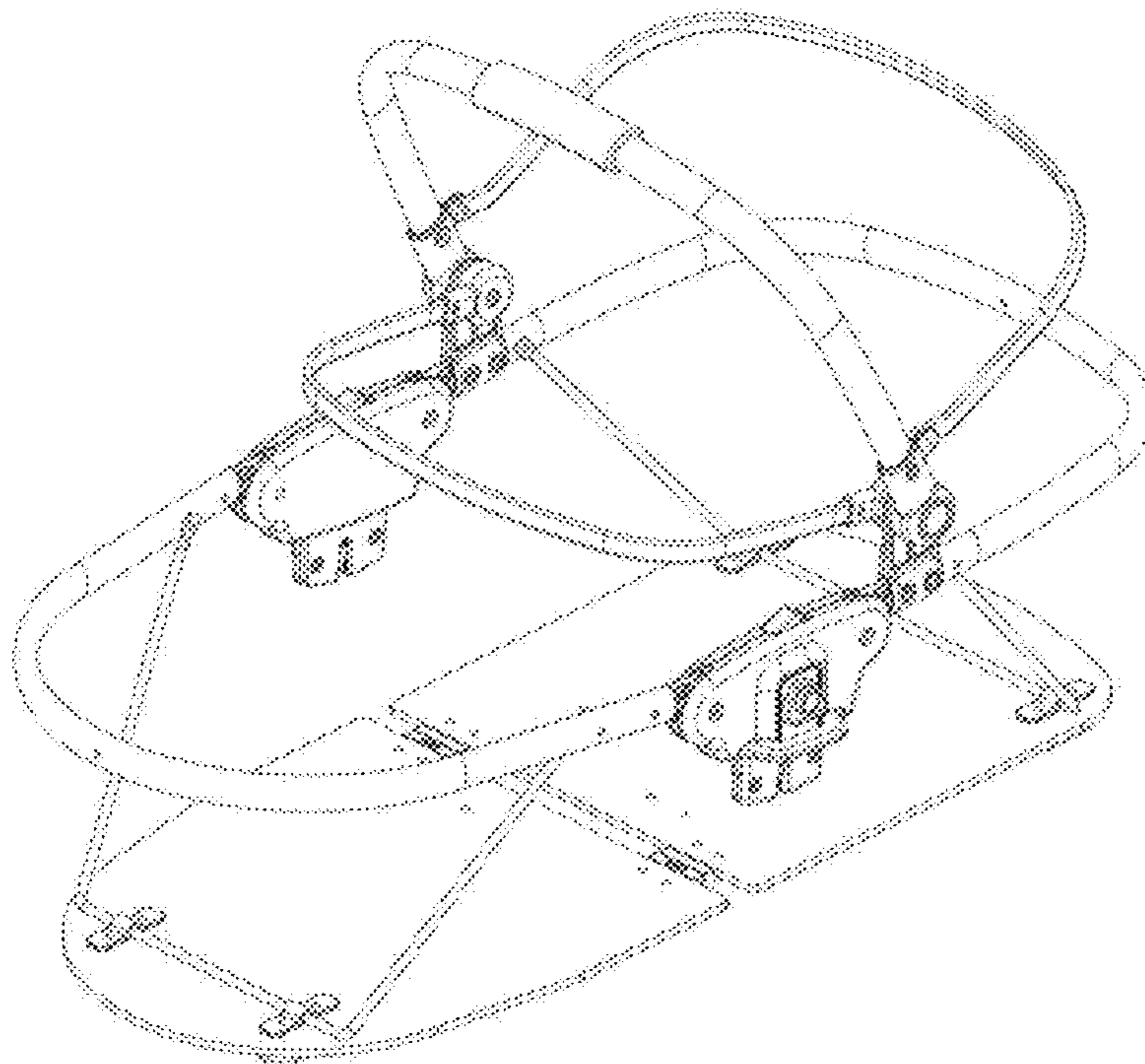
(57) **CLAIM**

The ornamental design for a folding bassinet frame, as shown and described.

DESCRIPTION

FIG. 1 is an isometric view of the folding bassinet frame showing my new design;
 FIG. 2 is a front elevation view thereof;
 FIG. 3 is a rear elevation view thereof;
 FIG. 4 is a left side elevation view thereof;
 FIG. 5 is a right side elevation view thereof;
 FIG. 6 is a top plan view thereof; and,
 FIG. 7 is a bottom plan view thereof.

1 Claim, 7 Drawing Sheets



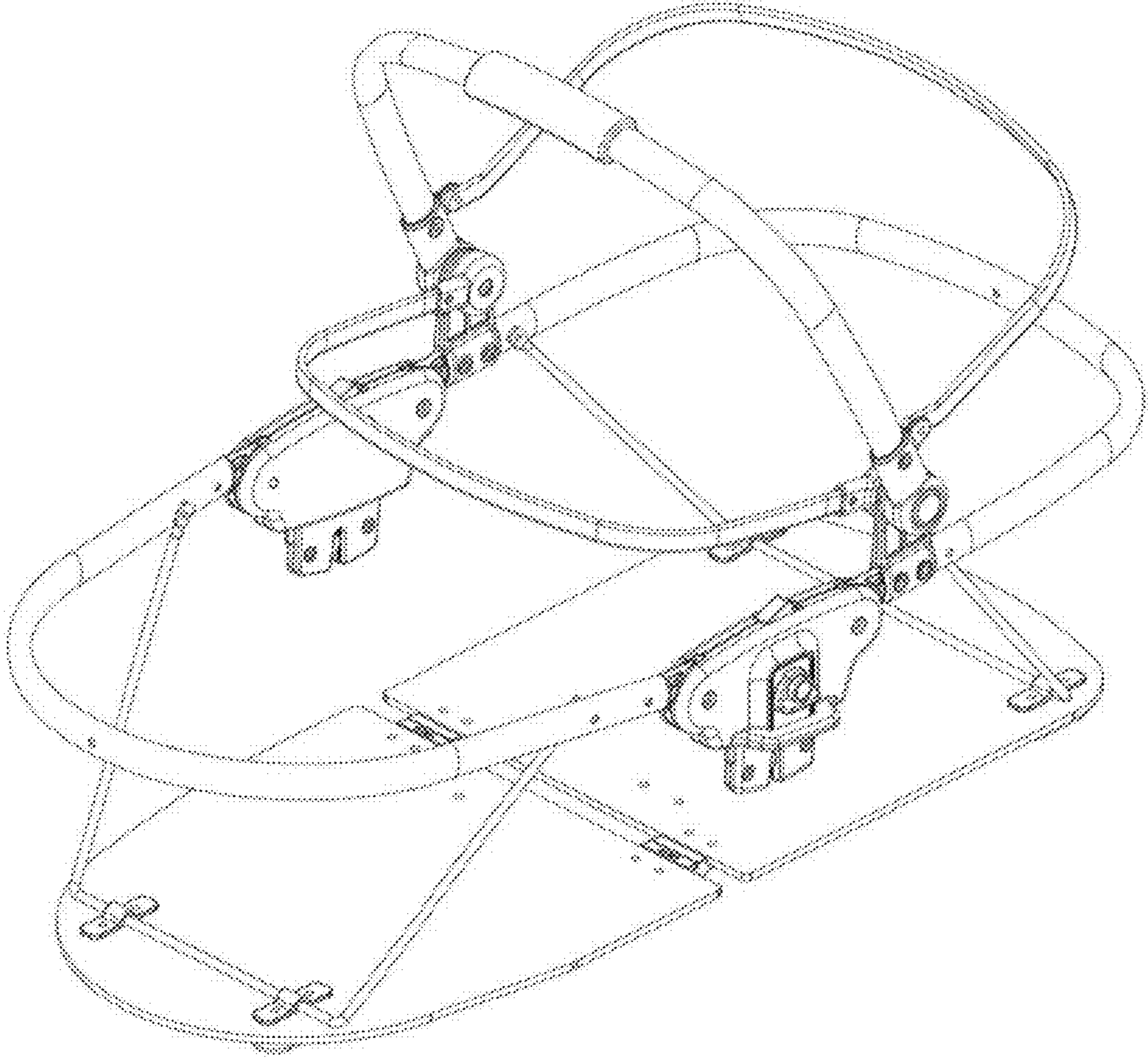


Fig. 1

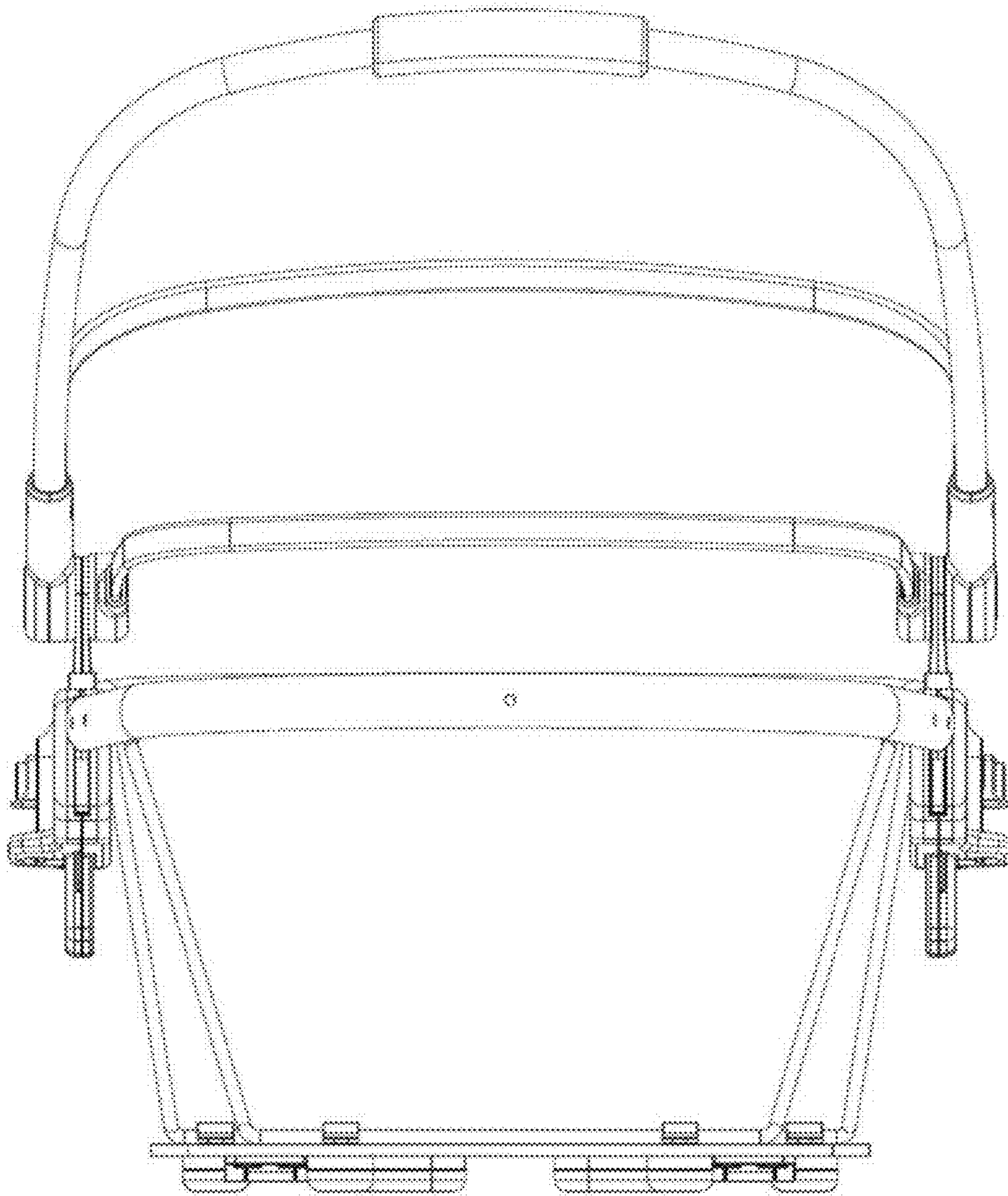


Fig. 2

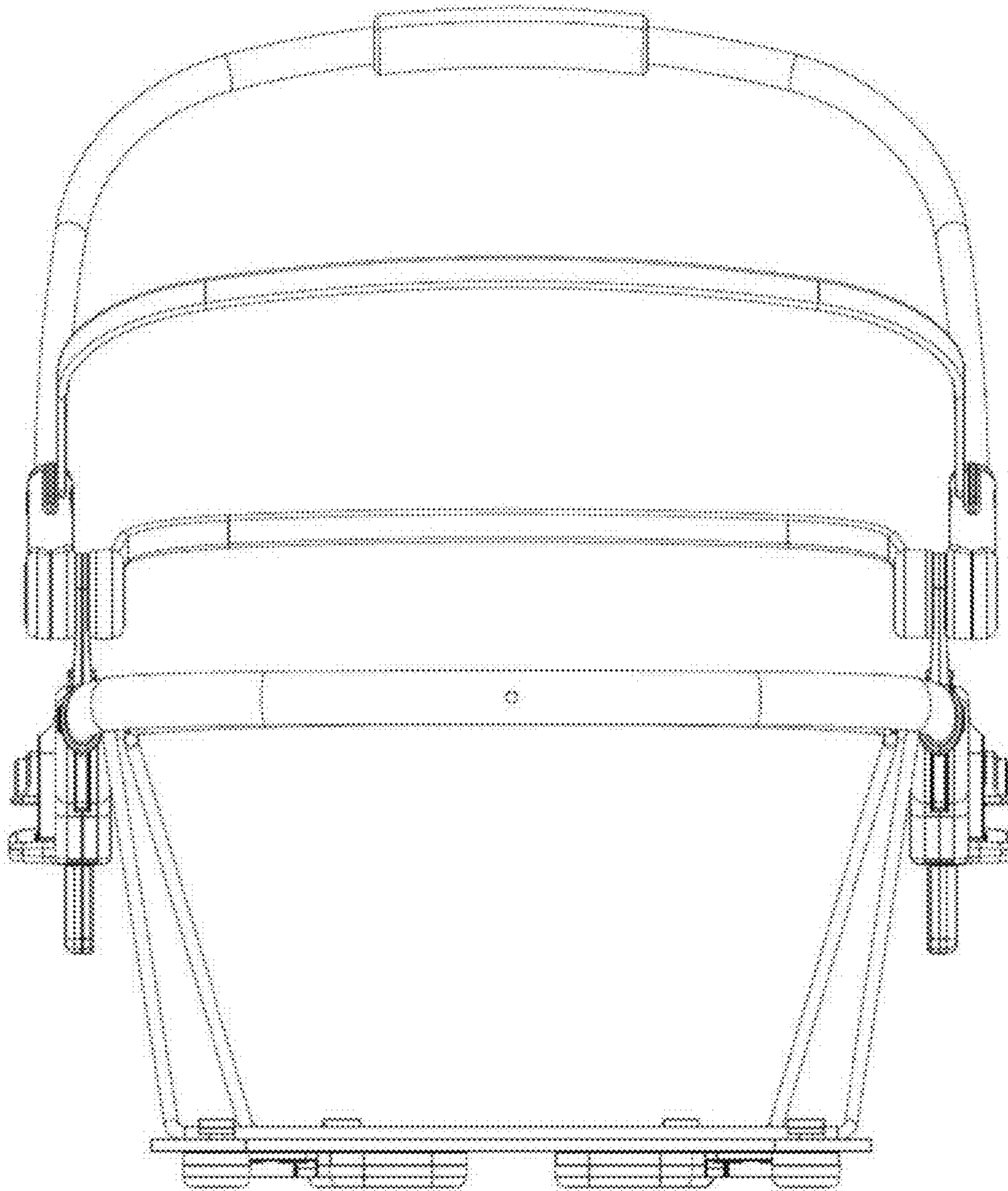


Fig. 3

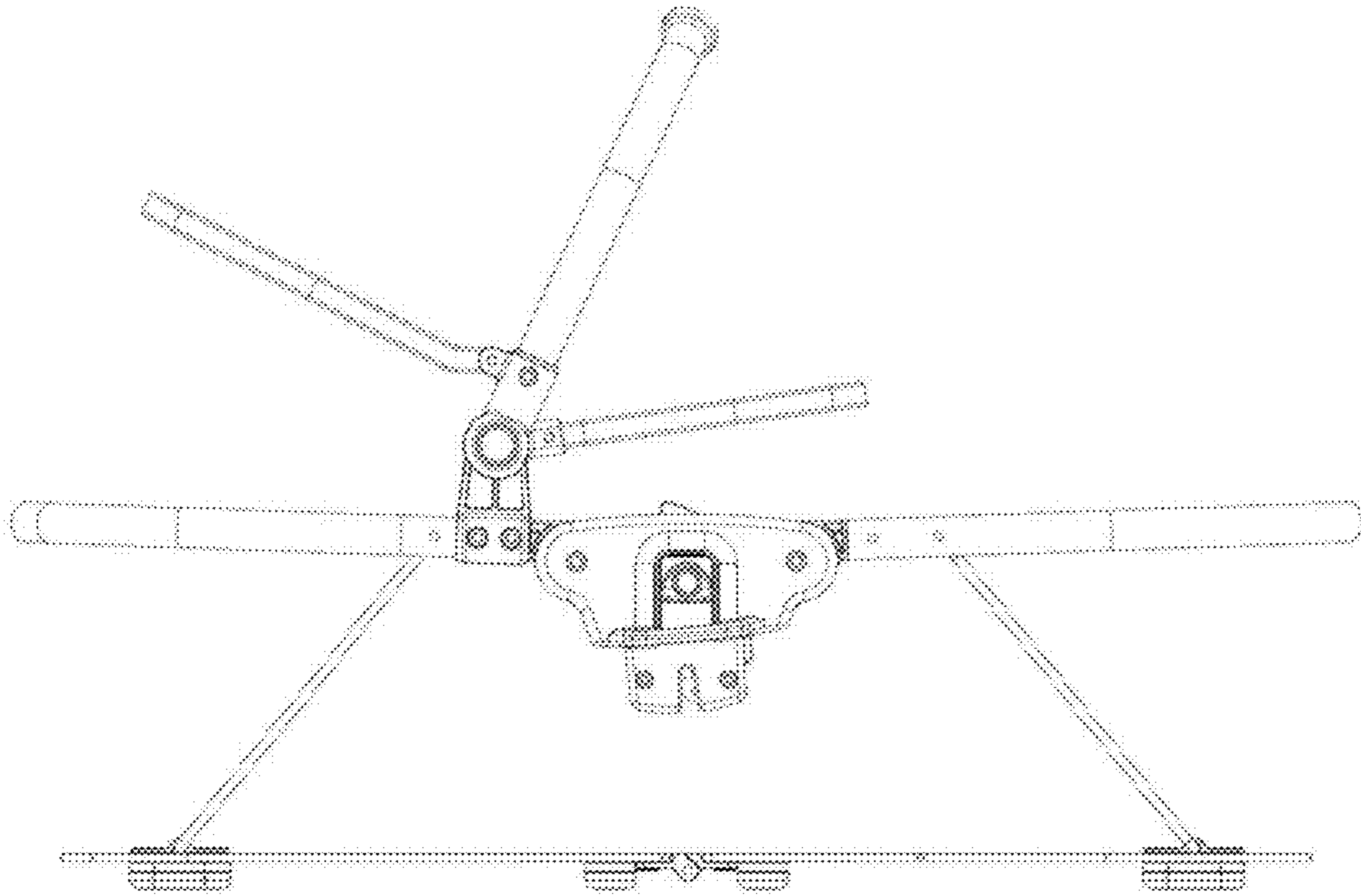


Fig. 4

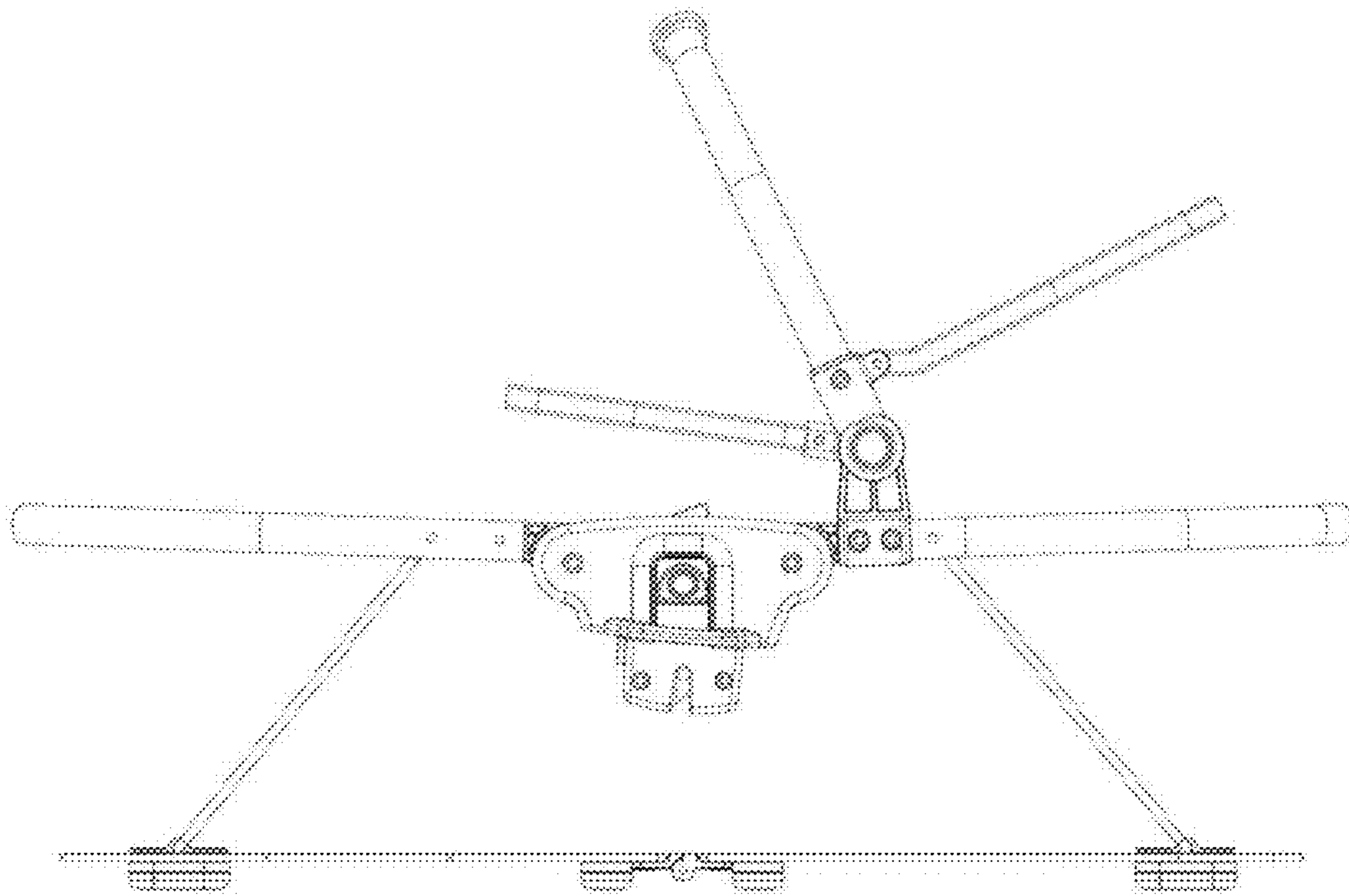


Fig. 5

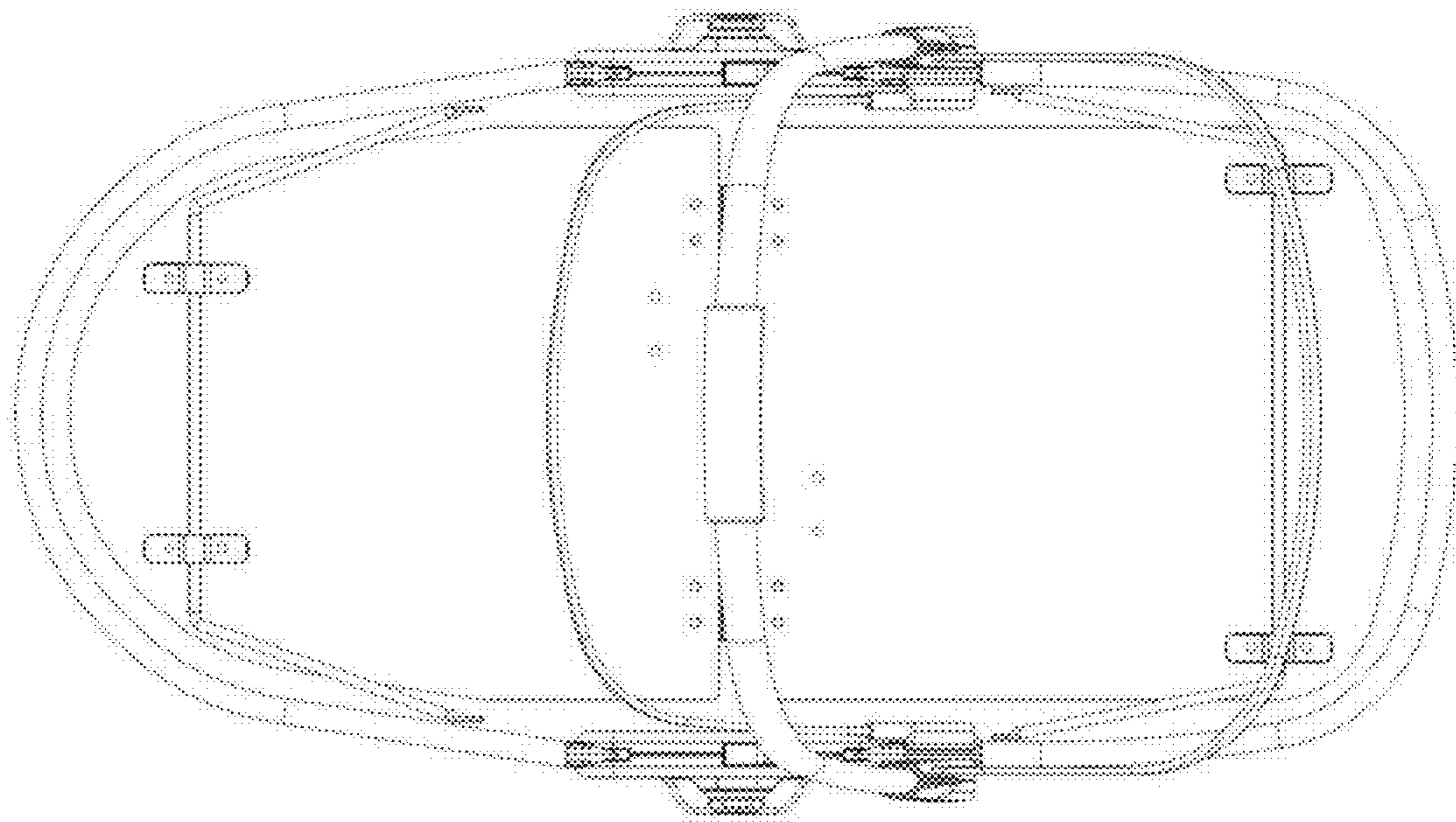


Fig. 6

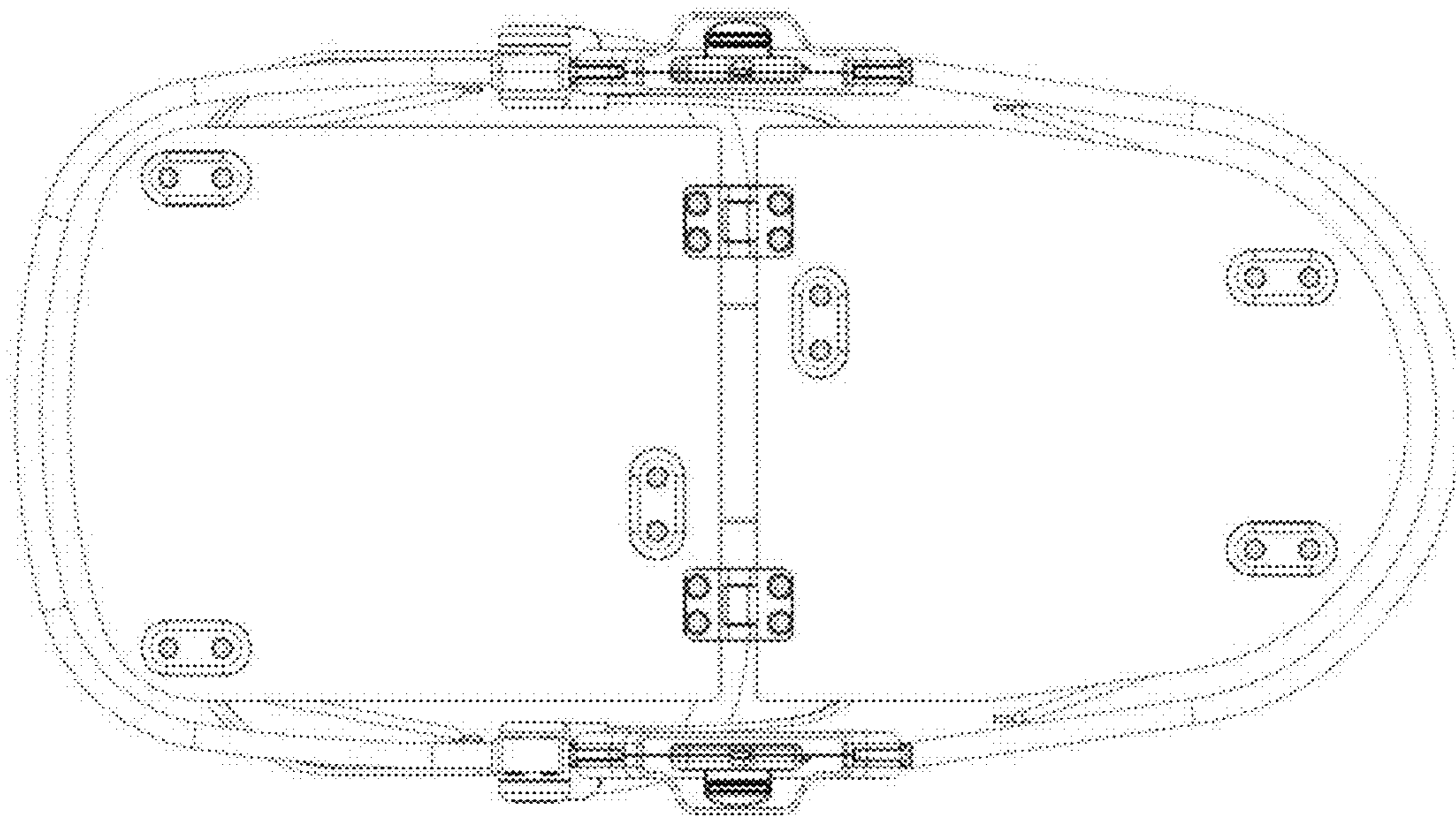


Fig. 7