



US00D819340S

(12) **United States Design Patent**
Nicoline et al.

(10) **Patent No.: US D819,340 S**
(45) **Date of Patent: ** Jun. 5, 2018**

(54) **MAKEUP BRUSH**

FOREIGN PATENT DOCUMENTS

(71) Applicant: **Paris Presents Incorporated**, Gurnee, IL (US)

CN 301850467 * 3/2012
CN 301855897 * 3/2012

(Continued)

(72) Inventors: **Alyssa Carolyn Nicoline**, Chicago, IL (US); **Jessica Briggs**, Highland Park, IL (US)

OTHER PUBLICATIONS

(73) Assignee: **PARIS PRESENTS INCORPORATED**, Gurnee, IL (US)

Tom Ford Cheek Brush and Cream Foundation Brush, as shown in blog article by Maria Pia [on-line]. Posted to the Internet Sep. 20, 2013; retrieved from the Internet Jan. 18, 2018. URL: <http://ifmakeupcouldtalk.com/toolsaccessories/tom-ford-cream-foundation-brush-review-pohotos-and-comparisons/>. (5 pages) (Year: 2013).*

(**) Term: **15 Years**

Primary Examiner — Karen E Eldridge Powers

(21) Appl. No.: **29/587,852**

(74) *Attorney, Agent, or Firm* — Quarles & Brady LLP

(22) Filed: **Dec. 15, 2016**

(51) **LOC (11) Cl.** **04-02**

(52) **U.S. Cl.**
USPC **D4/138**

(57) **CLAIM**

(58) **Field of Classification Search**
USPC D4/104, 105, 106, 107, 108, 109, 110, 111, 112, 121, 127, 132, 134, 135, 136, 137, 138, 122, 123, 124, 125, 128, 129, 130, 131, 133, 136, 137, 199; 132/313, 317, 320; 15/DIG. 15; D14/411; D19/159, 173, 914, 929; D28/7, 56

The ornamental design for a makeup brush, as shown and described.

CPC A46B 9/021; A46B 2200/1046
See application file for complete search history.

DESCRIPTION

(56) **References Cited**

U.S. PATENT DOCUMENTS

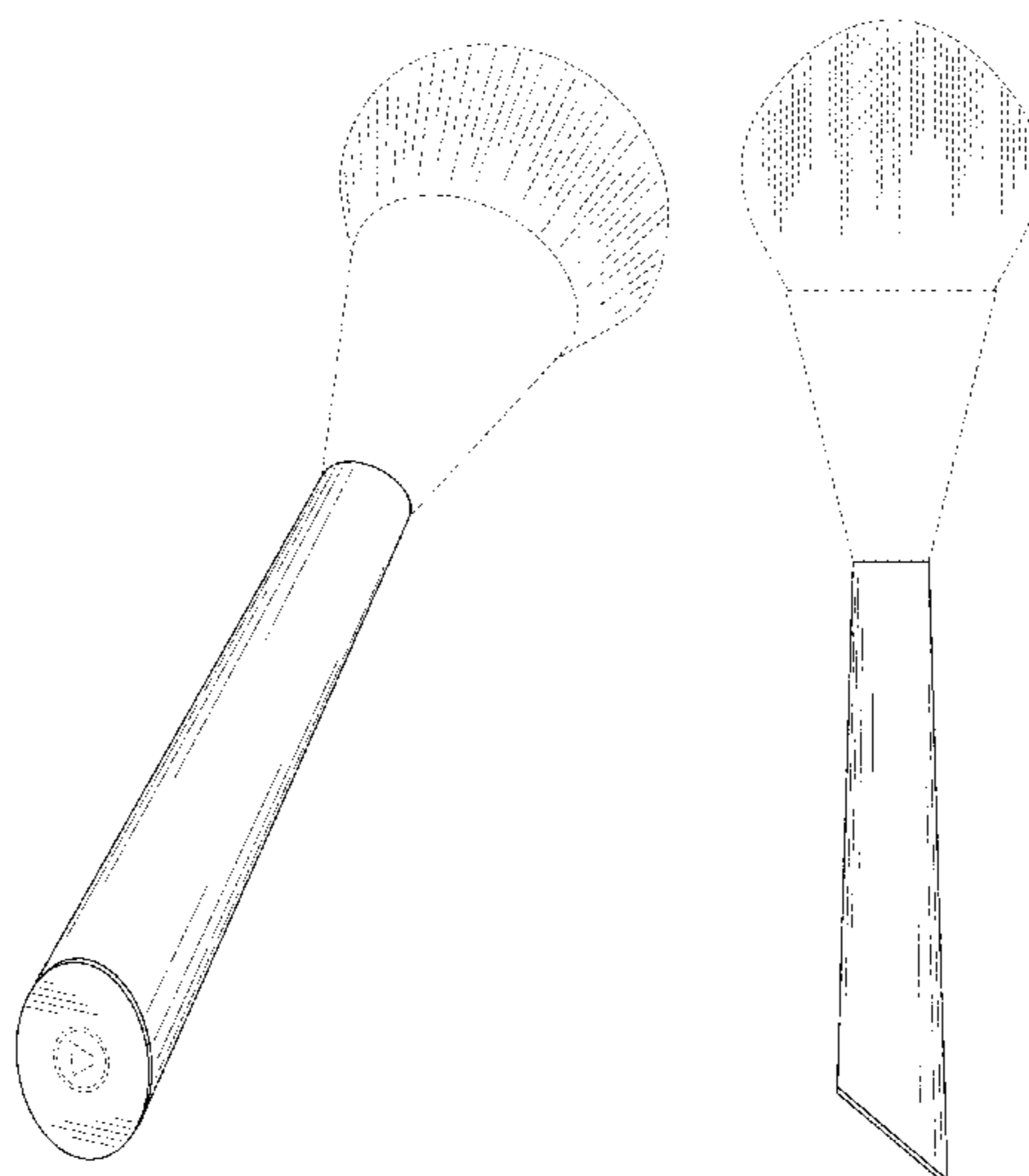
- RE16,869 E * 2/1928 Goldman A45D 29/16 132/75.3
- D116,216 S * 8/1939 Brekke 132/73
- D139,381 S * 11/1944 Harris D19/901
- D189,374 S * 11/1960 Harris D9/504
- D238,631 S 2/1976 Leighton
- D258,240 S 2/1981 Takada
- D263,807 S * 4/1982 Kingsford D9/504
- D274,474 S * 6/1984 Castiglioni D26/108

FIG. 1 is an isometric view of a front, bottom, and right side of an ornamental design for a makeup brush;
FIG. 2 is a front elevational view of the makeup brush of FIG. 1;
FIG. 3 is a rear elevational view of the makeup brush of FIG. 1;
FIG. 4 is a right side elevational view of the makeup brush of FIG. 1;
FIG. 5 is a left side elevational view of the makeup brush of FIG. 1;
FIG. 6 is a top plan view of the makeup brush of FIG. 1; and, FIG. 7 is a bottom plan view of the makeup brush of FIG. 1.

The dash-dash-dash-dash lines are for the purpose of illustrating environmental structure and form no part of the claimed design.

1 Claim, 4 Drawing Sheets

(Continued)



(56)

References Cited

U.S. PATENT DOCUMENTS

D275,040 S 8/1984 Holloway
 D278,951 S 5/1985 Kalinsky
 D278,952 S 5/1985 Kalinsky
 D285,730 S * 9/1986 Bulwick D19/901
 D304,392 S 11/1989 Reich
 D312,729 S 12/1990 Auttajark
 D319,736 S * 9/1991 Thuresson D4/135
 D323,186 S * 1/1992 Clark D19/175
 D327,979 S 7/1992 Carranza
 D346,277 S 4/1994 Sherman
 D361,236 S 8/1995 Murgalo
 D368,093 S * 3/1996 Starck D14/189
 D376,696 S 12/1996 Vogel
 D376,910 S 12/1996 Tuchman
 D386,311 S 11/1997 Moskovich
 D395,552 S 6/1998 Cunningham
 D404,647 S * 1/1999 Federighi D9/439
 6,039,051 A * 3/2000 Dorf A45D 40/28
 132/313
 D427,777 S 7/2000 Kim
 D430,608 S 9/2000 Krieglstein et al.
 D433,537 S * 11/2000 Schoon D28/56
 D435,349 S 12/2000 Kim
 D438,383 S * 3/2001 Doat D4/104
 D446,212 S * 8/2001 Chang D14/411
 D447,602 S * 9/2001 Dumler D28/76
 D451,285 S 12/2001 Andersson
 D452,948 S 1/2002 Mink
 D460,111 S * 7/2002 Veillon D19/168
 D463,735 S * 10/2002 Gobe D9/689
 D469,180 S * 1/2003 Mark D24/119
 6,513,183 B2 2/2003 Dorf
 D478,213 S 8/2003 Ping
 D480,272 S * 10/2003 Yang D7/598
 D485,575 S * 1/2004 Lovell D19/175
 6,779,532 B2 8/2004 Dorf
 D516,257 S 2/2006 Brackett et al.
 D522,866 S * 6/2006 Bakic D9/521
 D527,188 S 8/2006 Langer
 D528,304 S 9/2006 Langer
 D528,305 S 9/2006 Langer
 D529,292 S 10/2006 Langer
 D529,293 S 10/2006 Langer
 D529,719 S 10/2006 Langer
 D530,097 S 10/2006 Langer
 D530,519 S 10/2006 Langer
 D541,979 S 5/2007 Montoli
 D571,105 S 6/2008 Godin
 D571,559 S 6/2008 Riaz
 D572,010 S 7/2008 Riaz
 D573,348 S 7/2008 Dumler et al.
 D573,349 S 7/2008 Dumler et al.
 D574,154 S 8/2008 Dumler et al.
 D574,155 S 8/2008 Dumler et al.
 D598,655 S 8/2009 Thorpe
 D599,113 S 9/2009 Jackel-Marken
 D617,954 S * 6/2010 L'Abbate D28/76
 RE41,710 E 9/2010 Dumler et al.
 RE41,711 E 9/2010 Dumler et al.
 D625,522 S 10/2010 Riaz
 D627,977 S 11/2010 Magallances Orozco
 D628,811 S 12/2010 Masuyama
 D630,437 S 1/2011 Carey
 D631,666 S 2/2011 Lim
 D632,086 S 2/2011 Kulik
 D634,127 S 3/2011 Burgess et al.
 D642,805 S 8/2011 Burgess et al.
 D645,665 S 9/2011 Del Ponte

D655,006 S 2/2012 Rajaiah
 D658,385 S 5/2012 Lim et al.
 8,230,543 B2 7/2012 Shrier
 D676,663 S 2/2013 Ptok
 D676,666 S 2/2013 Nelson
 D677,904 S 3/2013 Hammer
 D678,682 S 3/2013 Hammer
 D678,683 S 3/2013 Hammer
 D678,684 S 3/2013 Hammer
 D699,041 S 2/2014 Waitesmith
 D702,554 S * 4/2014 Cole D28/76
 D706,542 S 6/2014 Lavigne
 D718,060 S 11/2014 Filho et al.
 D718,941 S 12/2014 Matsuishi
 D743,632 S 11/2015 Schlickman
 D746,010 S 12/2015 Xavier et al.
 D747,835 S 1/2016 Barnard et al.
 9,237,790 B2 * 1/2016 Takagi A45D 19/02
 D749,327 S 2/2016 Thierer et al.
 D749,858 S 2/2016 Snook
 D749,859 S 2/2016 Snook
 D750,383 S 3/2016 Serrano
 D752,149 S 3/2016 Fairweather
 D756,127 S 5/2016 Nicoline
 D756,661 S 5/2016 Waitesmith
 D757,441 S 5/2016 Hwang
 D757,443 S 5/2016 Waitesmith
 D757,447 S 5/2016 White
 D762,988 S 8/2016 Xavier et al.
 D763,676 S 8/2016 Filho et al.
 D764,807 S 8/2016 Waitesmith
 D765,421 S 9/2016 Cole
 D766,586 S 9/2016 Hwang
 D767,903 S 10/2016 Lim
 D768,998 S 10/2016 Kim et al.
 D771,389 S 11/2016 Since
 D776,440 S 1/2017 Jain
 D778,067 S 2/2017 Jain
 D778,617 S 2/2017 Jain
 D778,618 S 2/2017 Jain
 D778,619 S 2/2017 Jain
 D778,620 S 2/2017 Jain
 D778,621 S 2/2017 Jain
 D778,623 S 2/2017 Jain
 D779,137 S 2/2017 Taylor
 D779,213 S 2/2017 Jain
 D782,138 S 3/2017 Xavier et al.
 D782,198 S 3/2017 Hwang
 D782,199 S 3/2017 Hwang
 D782,201 S 3/2017 Hwang
 D782,826 S 4/2017 Kim et al.
 D783,291 S 4/2017 Lin
 D790,973 S * 7/2017 Kern D28/7
 D800,457 S * 10/2017 Kaicker D4/138
 D807,611 S * 1/2018 Almarales D2/642
 2002/0083953 A1 7/2002 Dorf
 2006/0248669 A1 * 11/2006 Dovellos A46B 3/12
 15/159.1
 2014/0166041 A1 * 6/2014 King A46B 9/021
 132/320
 2014/0331422 A1 * 11/2014 Lim A45D 40/262
 15/106
 2015/0027495 A1 * 1/2015 Xavier A46B 17/06
 134/6
 2017/0188691 A1 * 7/2017 Richards A46B 5/0095

FOREIGN PATENT DOCUMENTS

CN 303901885 * 11/2016
 WO 2012142545 10/2012

* cited by examiner

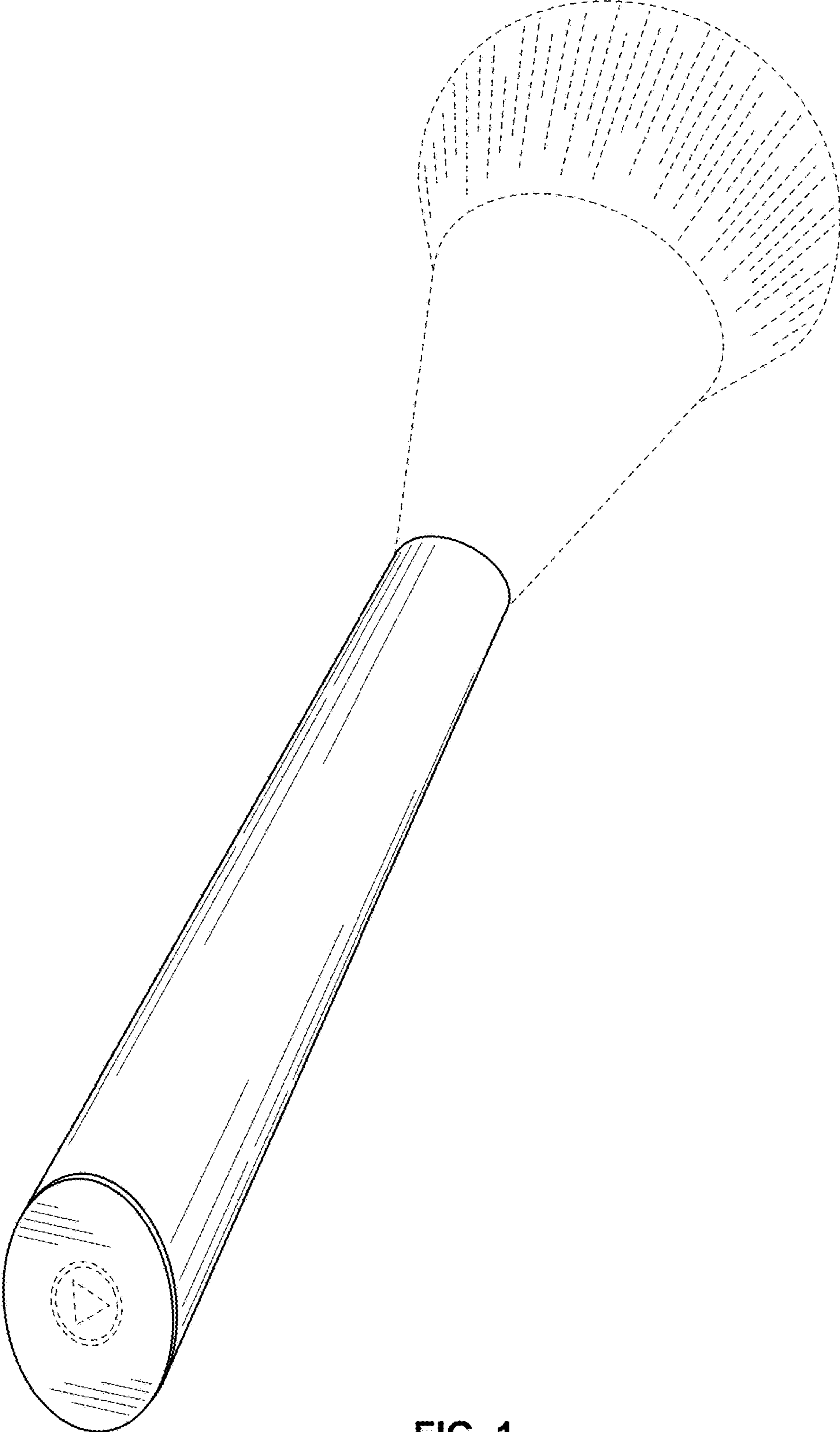


FIG. 1

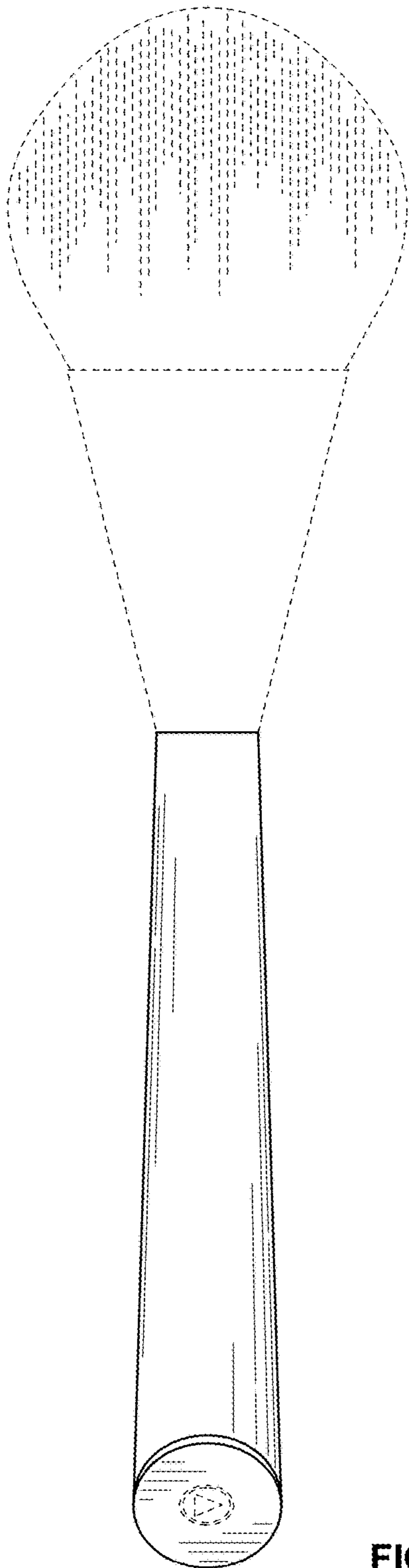


FIG. 2

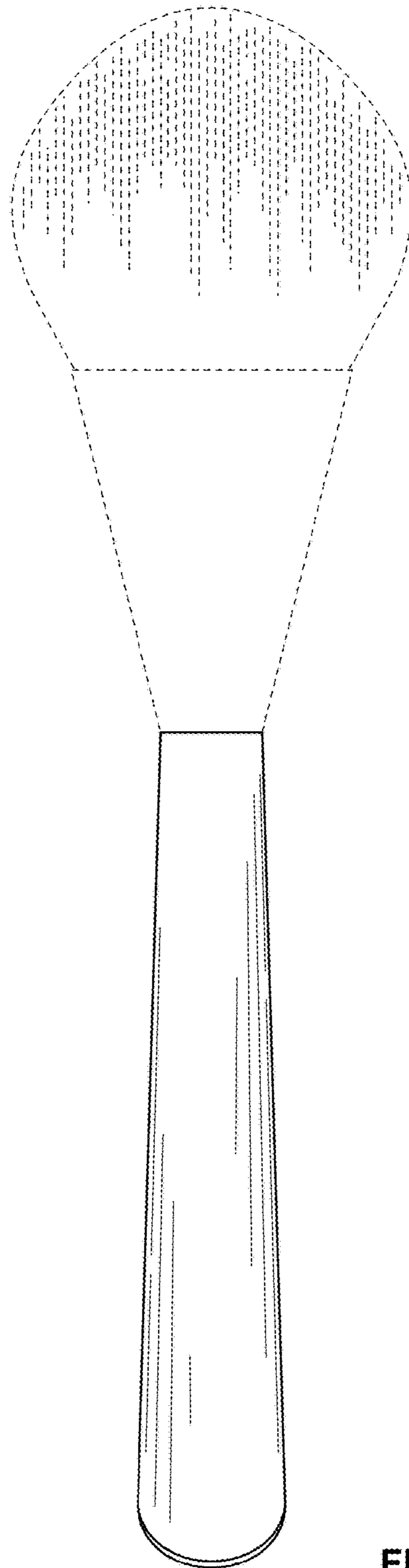


FIG. 3

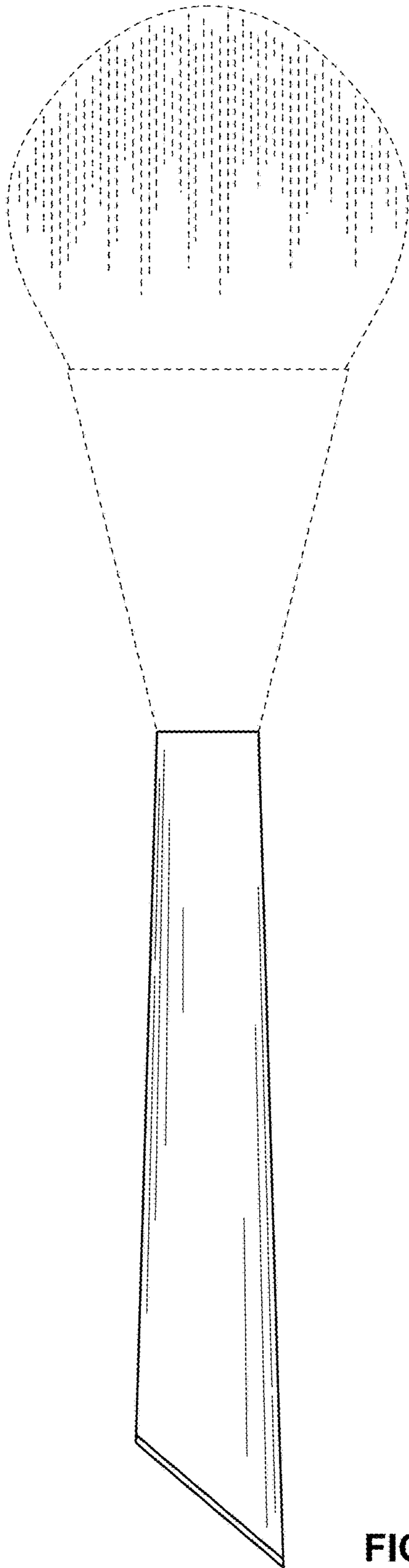


FIG. 4

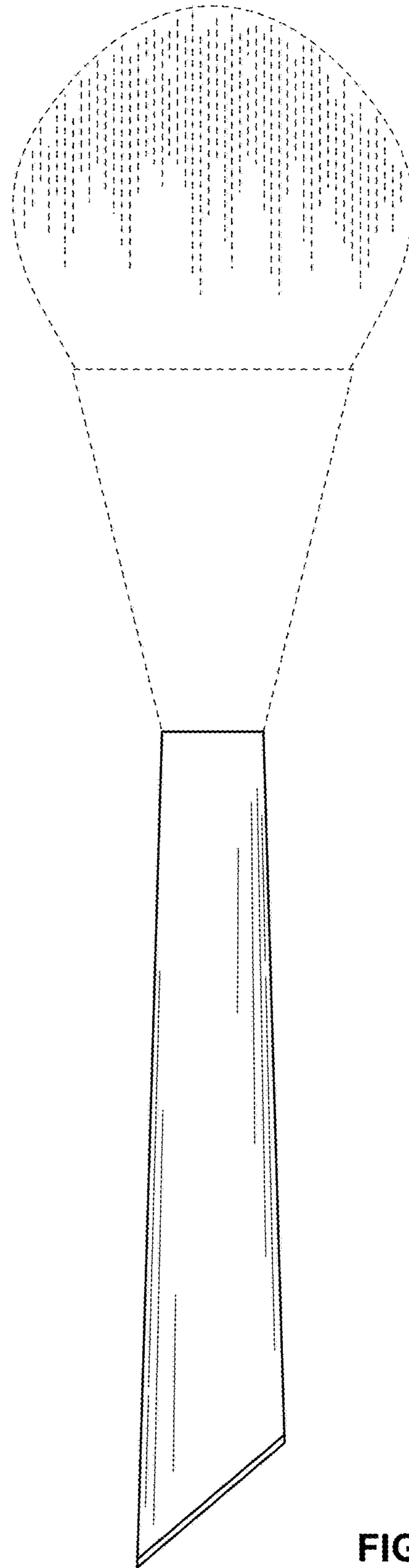


FIG. 5

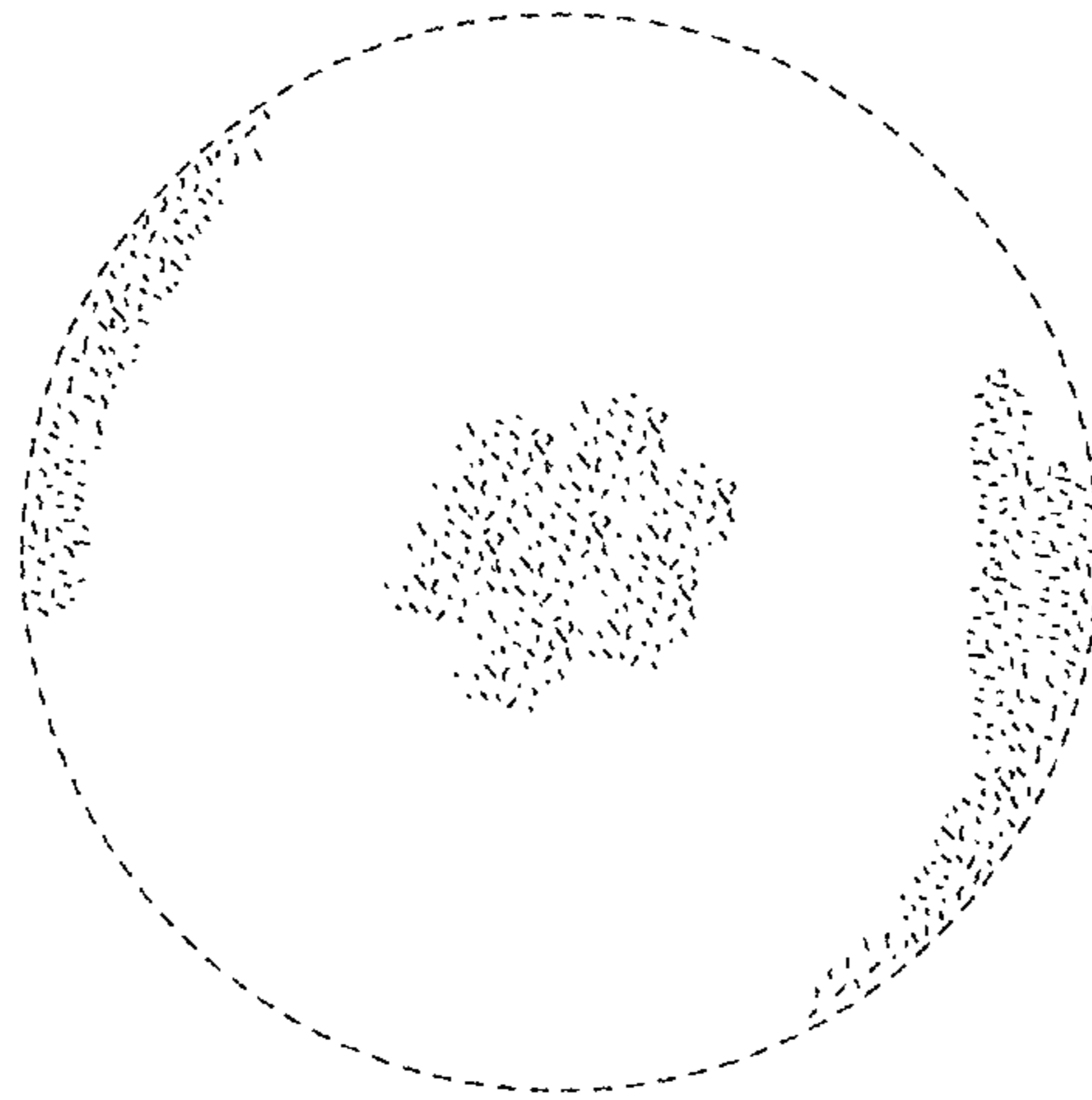


FIG. 6

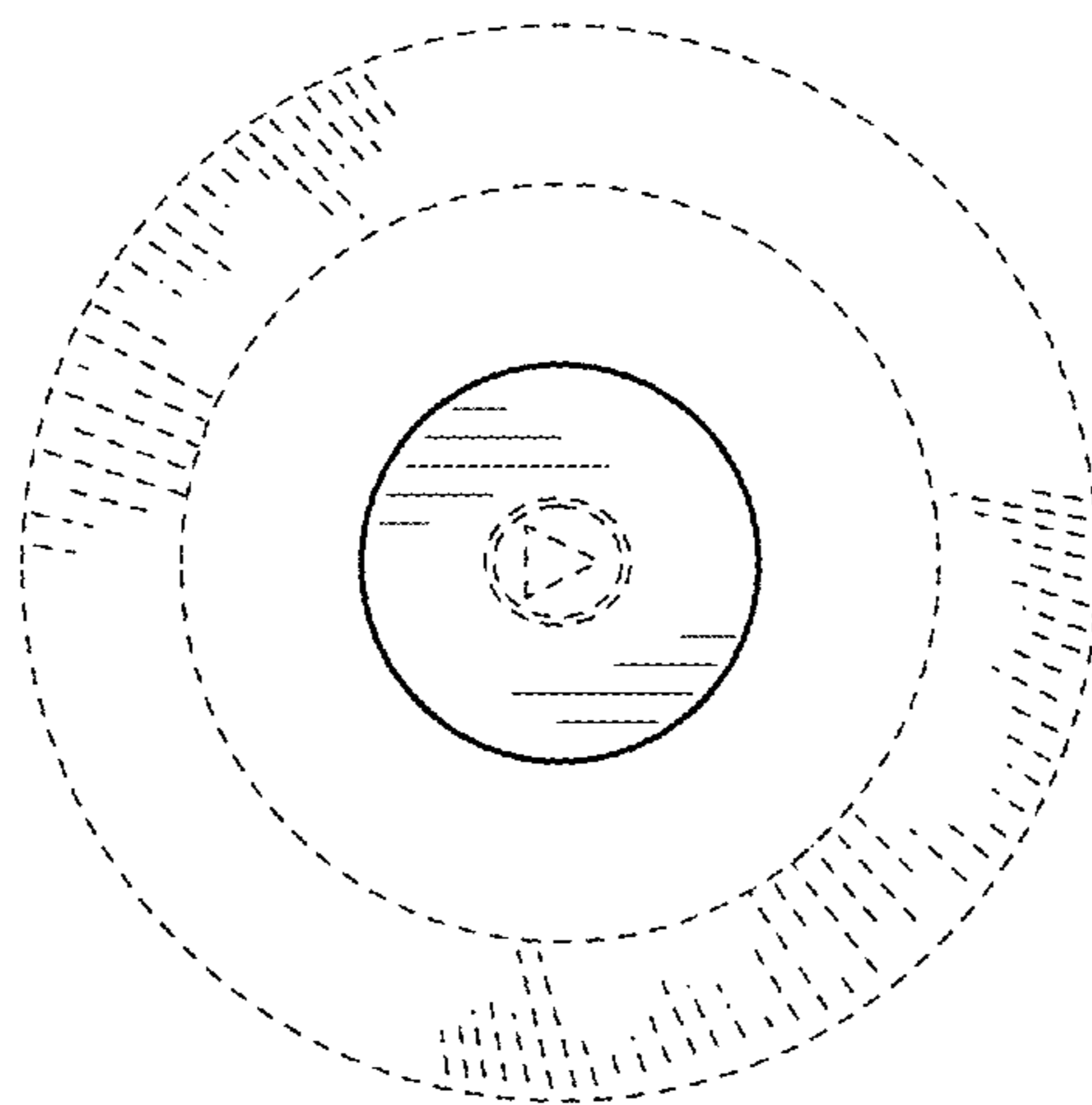


FIG. 7