



US00D819334S

(12) **United States Design Patent** (10) **Patent No.:** **US D819,334 S**
Chang (45) **Date of Patent:** **** Jun. 5, 2018**

(54) **CONTAINER**

(71) Applicant: **Oceanstar Design Group, Inc.**,
Diamond Bar, CA (US)

(72) Inventor: **Charles Yaochung Chang**, Diamond
Bar, CA (US)

(73) Assignee: **Oceanstar Design Group, Inc.**,
Diamond Bar, CA (US)

(**) Term: **15 Years**

(21) Appl. No.: **29/598,826**

(22) Filed: **Mar. 29, 2017**

(51) **LOC (11) Cl.** **03-01**

(52) **U.S. Cl.**
USPC **D3/314**

(58) **Field of Classification Search**
USPC D3/304-305, 307-309, 312, 314, 315;
D6/672-673, 675
CPC B65D 1/34; B65D 21/00; B65D 21/0209
See application file for complete search history.

(56) **References Cited**

U.S. PATENT DOCUMENTS

D245,170 S *	7/1977	Evenson	D19/92
D247,025 S *	1/1978	Cherry	D3/312
D310,896 S *	9/1990	Winjum	D3/313
D352,516 S *	11/1994	Newman	D24/218
D377,294 S *	1/1997	Brady	D30/161
D460,691 S *	7/2002	Morris	D9/456
D512,836 S *	12/2005	Marnell, II	D3/313
D515,114 S *	2/2006	Grobleben	D15/89
D555,904 S *	11/2007	Snell	D3/304
D598,285 S *	8/2009	Mittelstaedt	D9/456
D695,796 S *	12/2013	Lee	D15/89
D712,153 S *	9/2014	Lee	D3/313

D727,154 S *	4/2015	Lee	D9/456
D750,892 S *	3/2016	Rego	D3/305
2008/0258593 A1 *	10/2008	Berger	A47B 88/90 312/348.3

* cited by examiner

Primary Examiner — Kelley Donnelly

(74) *Attorney, Agent, or Firm* — Dunlap Bennett &
Ludwig PLLC

(57) **CLAIM**

The ornamental design for a container, as shown and described.

DESCRIPTION

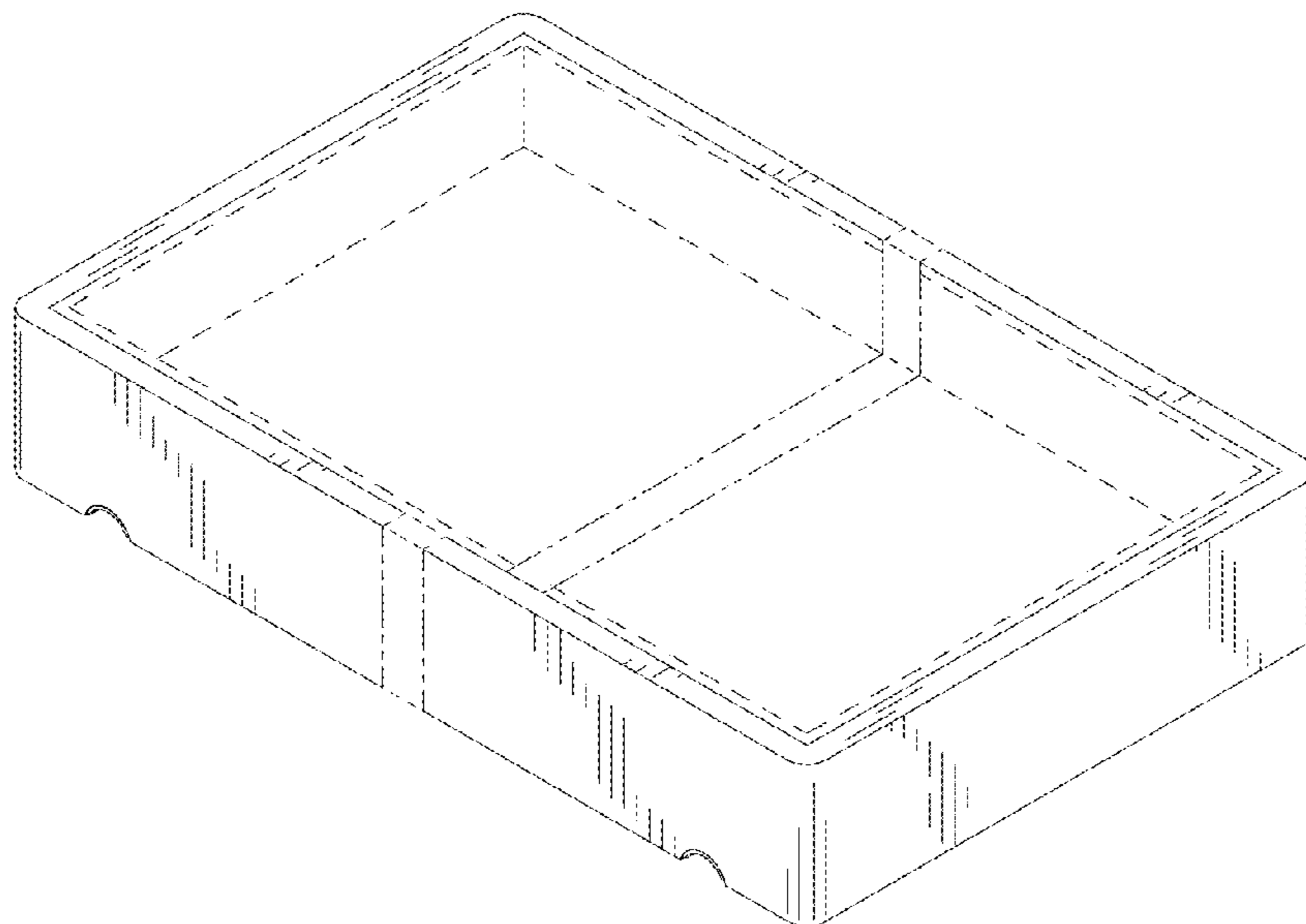
FIG. 1 is a perspective view of a container;
FIG. 2 is a right side elevation view thereof, the left side elevation view being a mirror image thereof;
FIG. 3 is a front elevation view thereof, the rear elevation view being a mirror image thereof;
FIG. 4 is a top plan view thereof;
FIG. 5 is a bottom plan view thereof; and,
FIG. 6 is an enlarged view thereof taken along line 6-6 of FIG. 2.

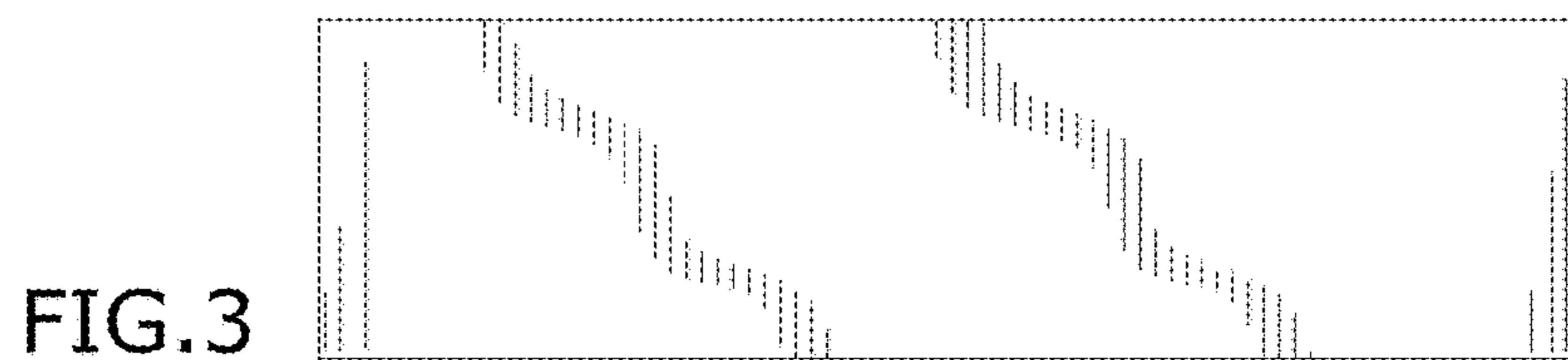
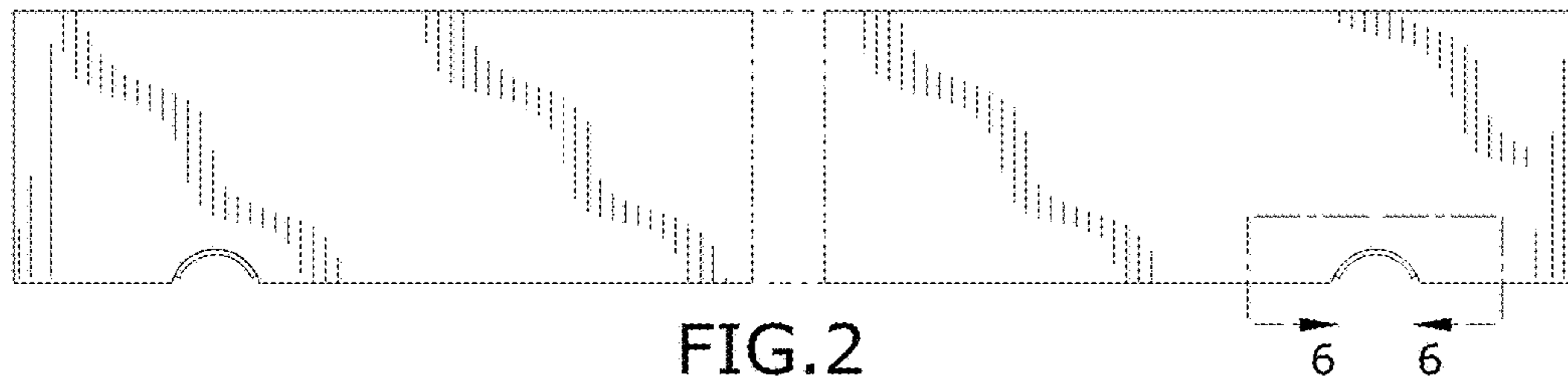
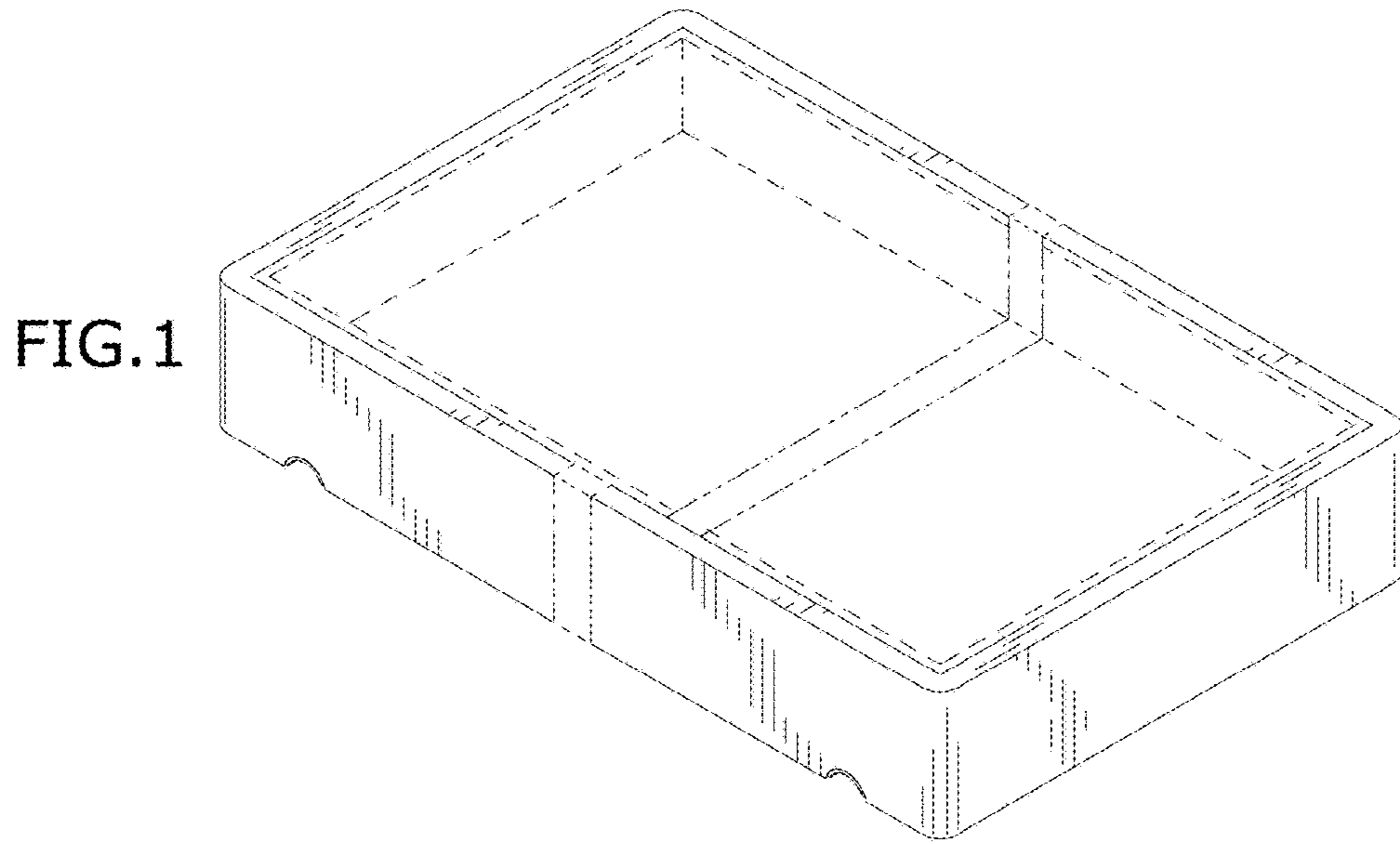
The dash-dash broken lines shown in the drawings depict portions of the container that form no part of the claimed design.

The dash-dot-dash broken lines shown in the drawings depict extents of the enlarged view of FIG. 6, in both FIG. 2 and FIG. 6.

The container is shown with dash-dot-dot-dash symbolic breaks in its lengths. The appearance of any portion of the article between the break lines forms not part of the claimed design.

1 Claim, 4 Drawing Sheets





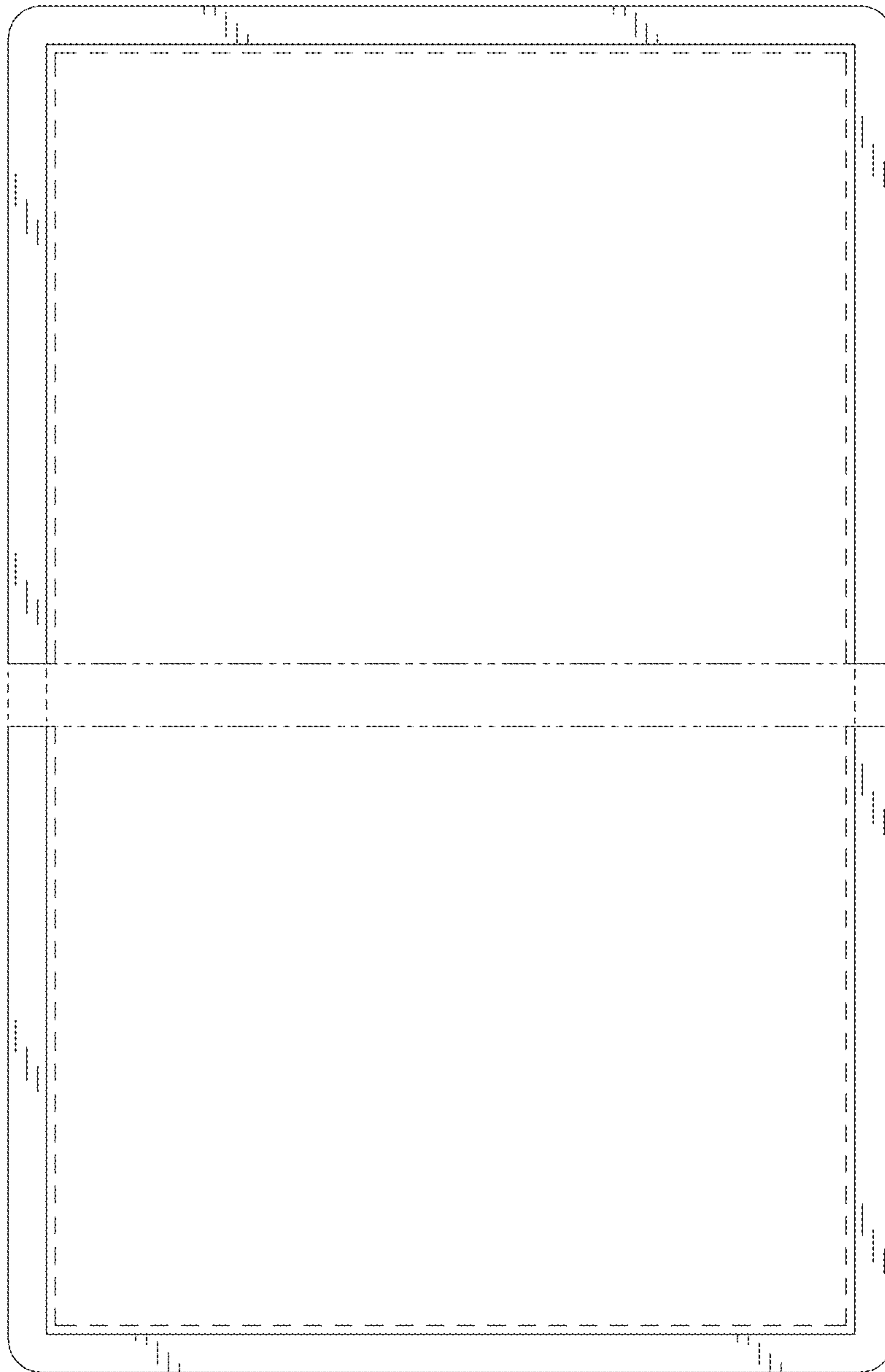


FIG. 4

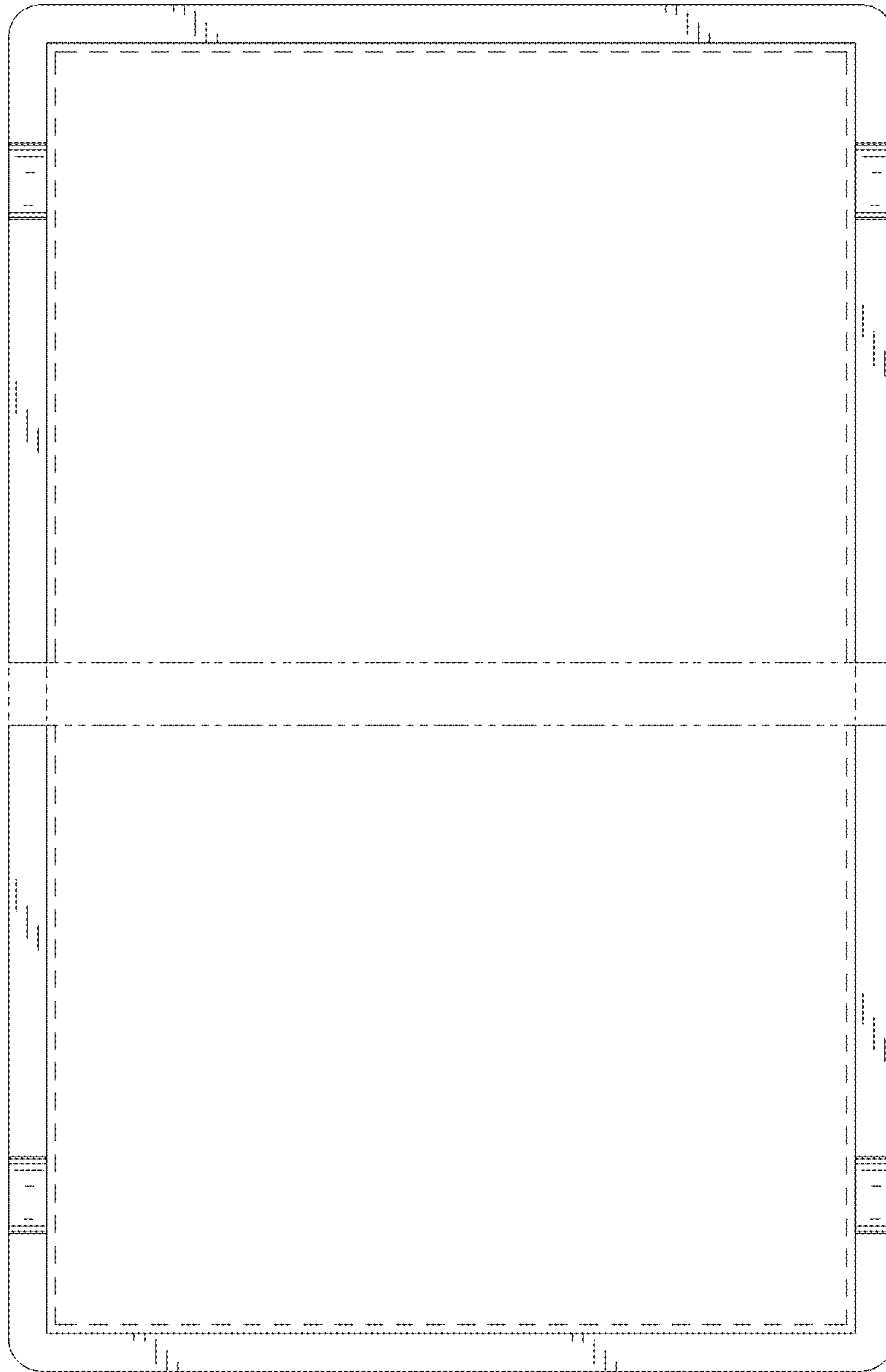


FIG. 5

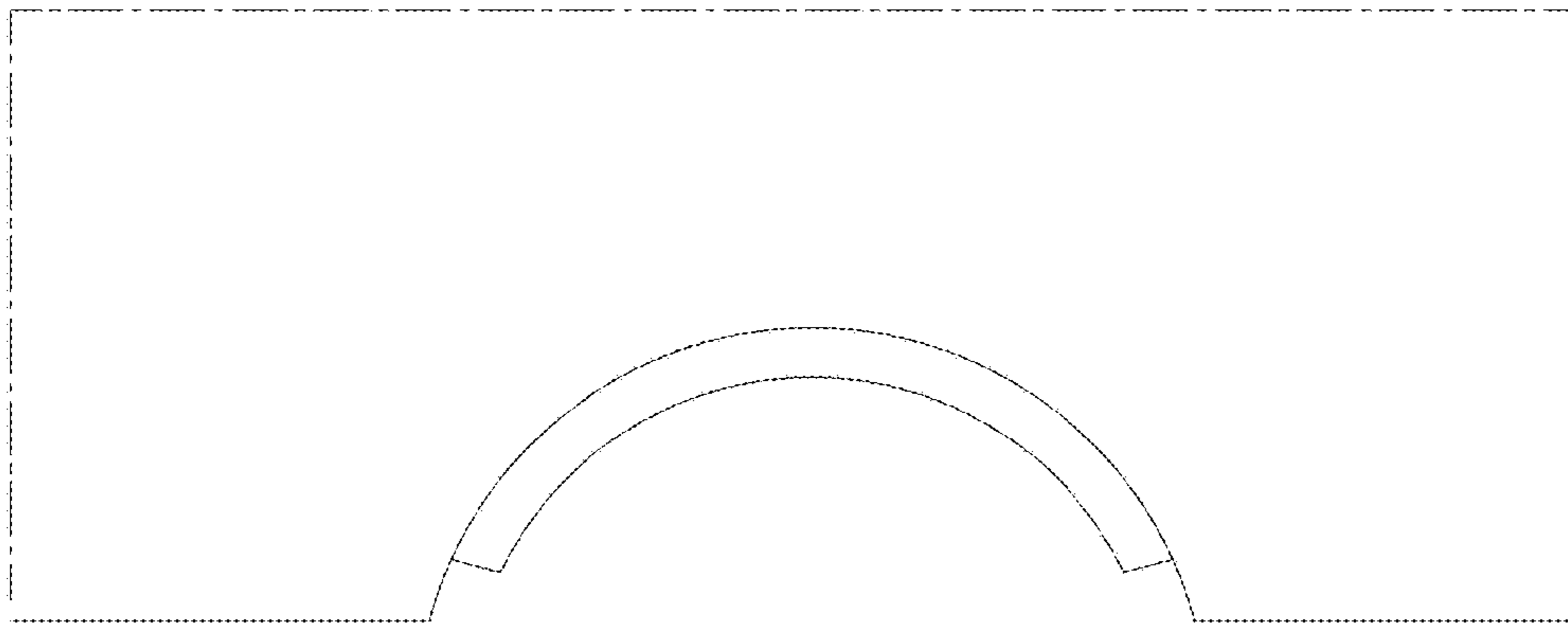


FIG. 6