

US00D819333S

(12) **United States Design Patent** (10) **Patent No.:** **US D819,333 S**
Goodman et al. (45) **Date of Patent:** **** Jun. 5, 2018**

(54) **BASKET**
(71) Applicant: **Spectrum Diversified Designs, LLC**,
Streetsboro, OH (US)
(72) Inventors: **Aaron Goodman**, Beachwood, OH
(US); **Xuemei Yuan**, Stow, OH (US)
(73) Assignee: **SPECTRUM DIVERSIFIED**
DESIGNS, LLC, Streetsboro, OH (US)

D785,333 S * 5/2017 Goodman D3/307
D786,557 S * 5/2017 Goodman D3/306
D796,771 S * 9/2017 Bacallao D34/27
D808,603 S * 1/2018 Yuan D32/55
D808,604 S * 1/2018 Yuan D32/55
D808,605 S * 1/2018 Yuan D32/55
2016/0096542 A1 * 4/2016 Fukushima B62B 3/1468
224/411

(**) Term: **15 Years**

(21) Appl. No.: **29/607,706**

(22) Filed: **Jun. 15, 2017**

(51) **LOC (11) Cl.** **03-01**

(52) **U.S. Cl.**
USPC **D3/306**

(58) **Field of Classification Search**
USPC D3/201, 304, 305, 306, 312, 314–315,
D3/318–319; D19/75–77, 86;
D7/601–602
CPC ... B65D 1/00; B65D 1/34; B65D 1/38; B65D
7/14
See application file for complete search history.

(56) **References Cited**

U.S. PATENT DOCUMENTS

D616,680 S * 6/2010 Snider D6/513
D650,209 S * 12/2011 Snider D6/513
D690,108 S * 9/2013 Goodman D3/306
D693,577 S 11/2013 Goodman et al.
D718,054 S * 11/2014 Goodman D3/306
D720,538 S * 1/2015 Goodman D3/304
D728,255 S * 5/2015 Guindi D6/513
D747,876 S * 1/2016 Goodman D3/306
D748,938 S * 2/2016 Hsu D6/683
D784,699 S * 4/2017 Goodman D3/306

OTHER PUBLICATIONS

U.S. Appl. No. 29/596,718, filed Mar. 10, 2017 entitled Sink Cradle;
2 pgs.

* cited by examiner

Primary Examiner — Kelley Donnelly

(74) *Attorney, Agent, or Firm* — Tucker Ellis LLP;
Patrick F. Clunk

(57) **CLAIM**

The ornamental design for a basket, as shown and described.

DESCRIPTION

FIG. 1 is a perspective view of a basket showing our new design.

FIG. 2 is a front view thereof.

FIG. 3 is a rear view thereof.

FIG. 4 is a right side view thereof.

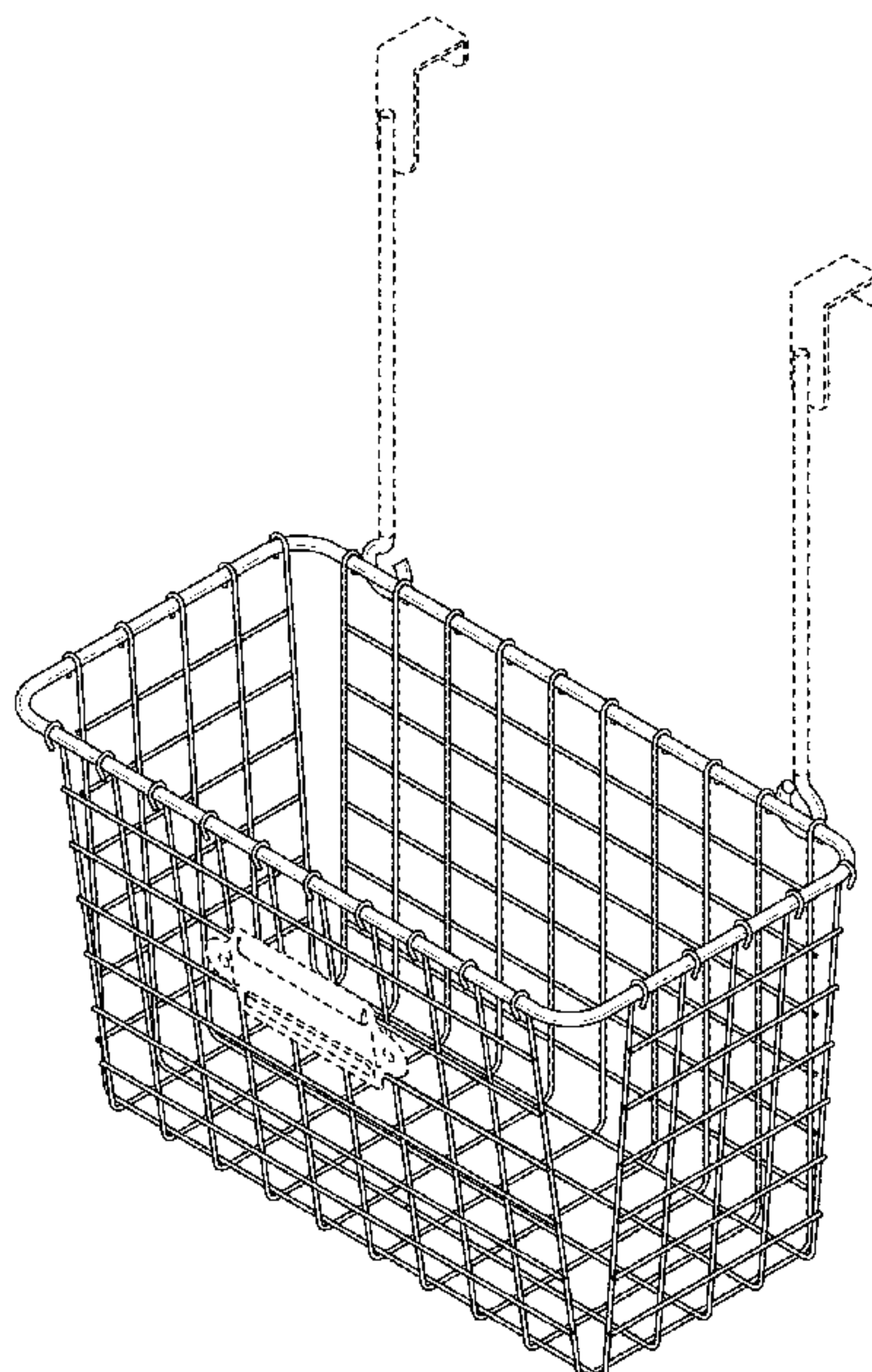
FIG. 5 is a left side view thereof.

FIG. 6 is a top view thereof; and,

FIG. 7 is a bottom view thereof.

The broken lines shown herein are for illustrative purposes only and form no part of the claimed design.

1 Claim, 4 Drawing Sheets



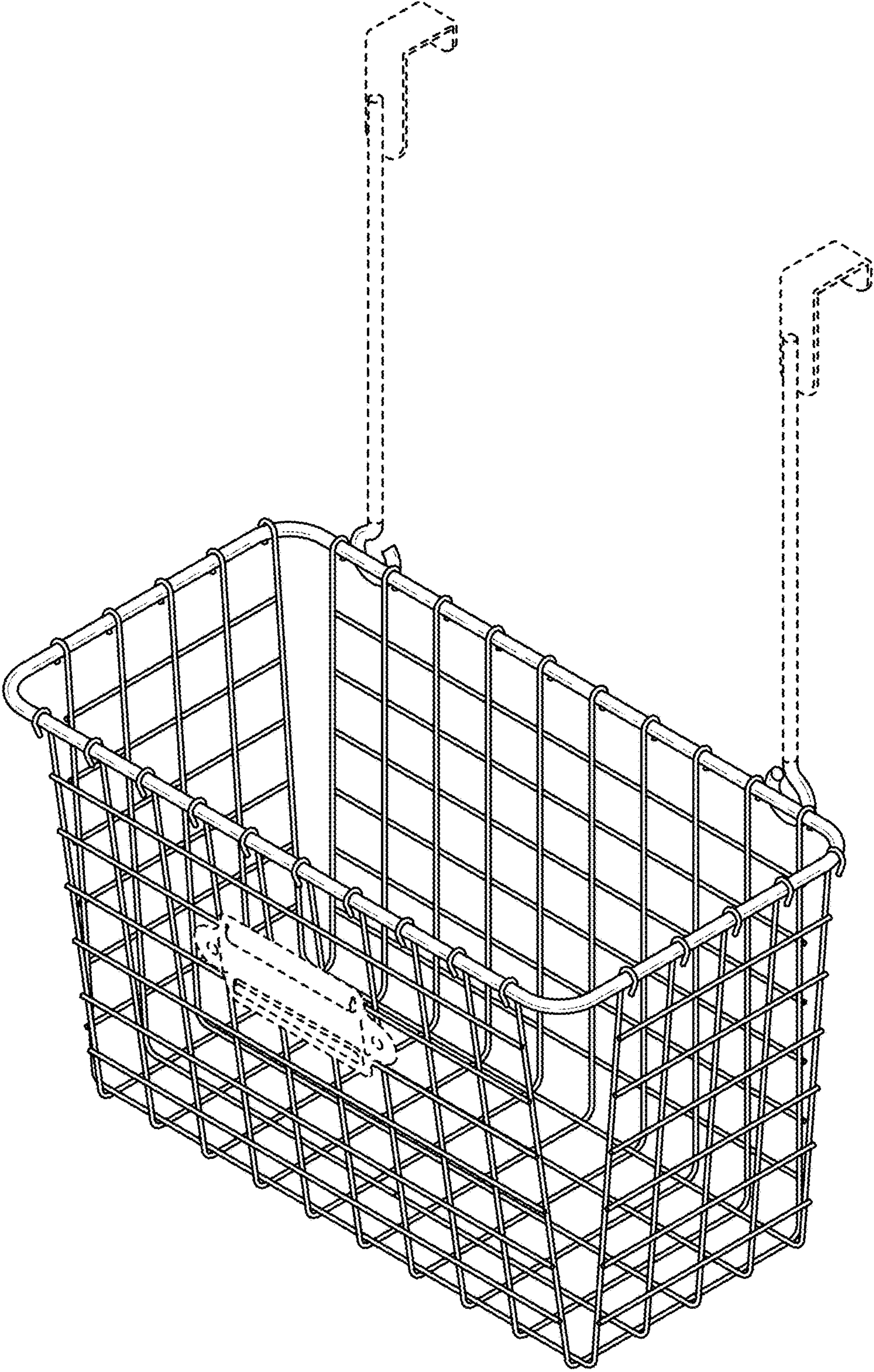


FIG. 1

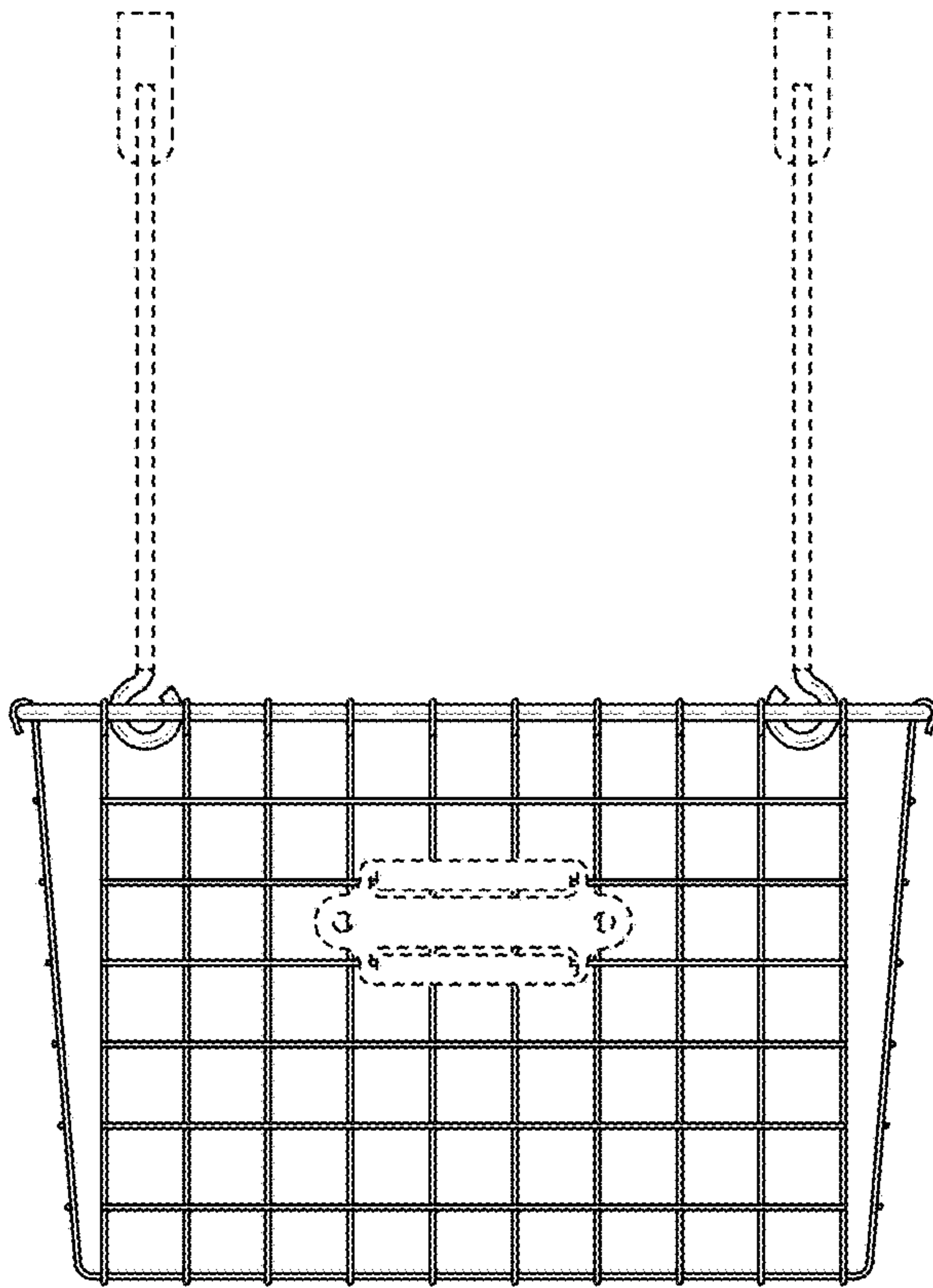


FIG. 2

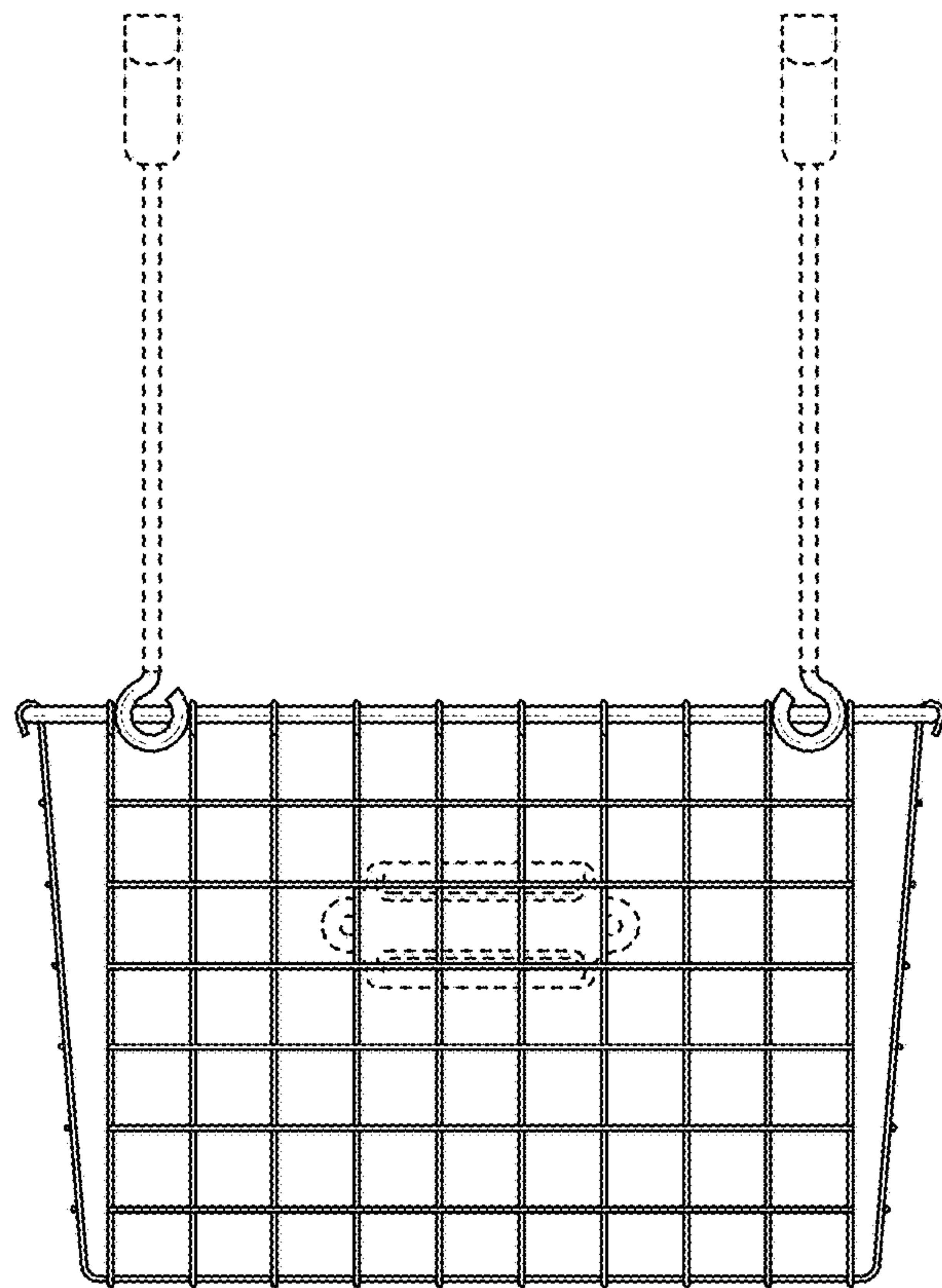


FIG. 3

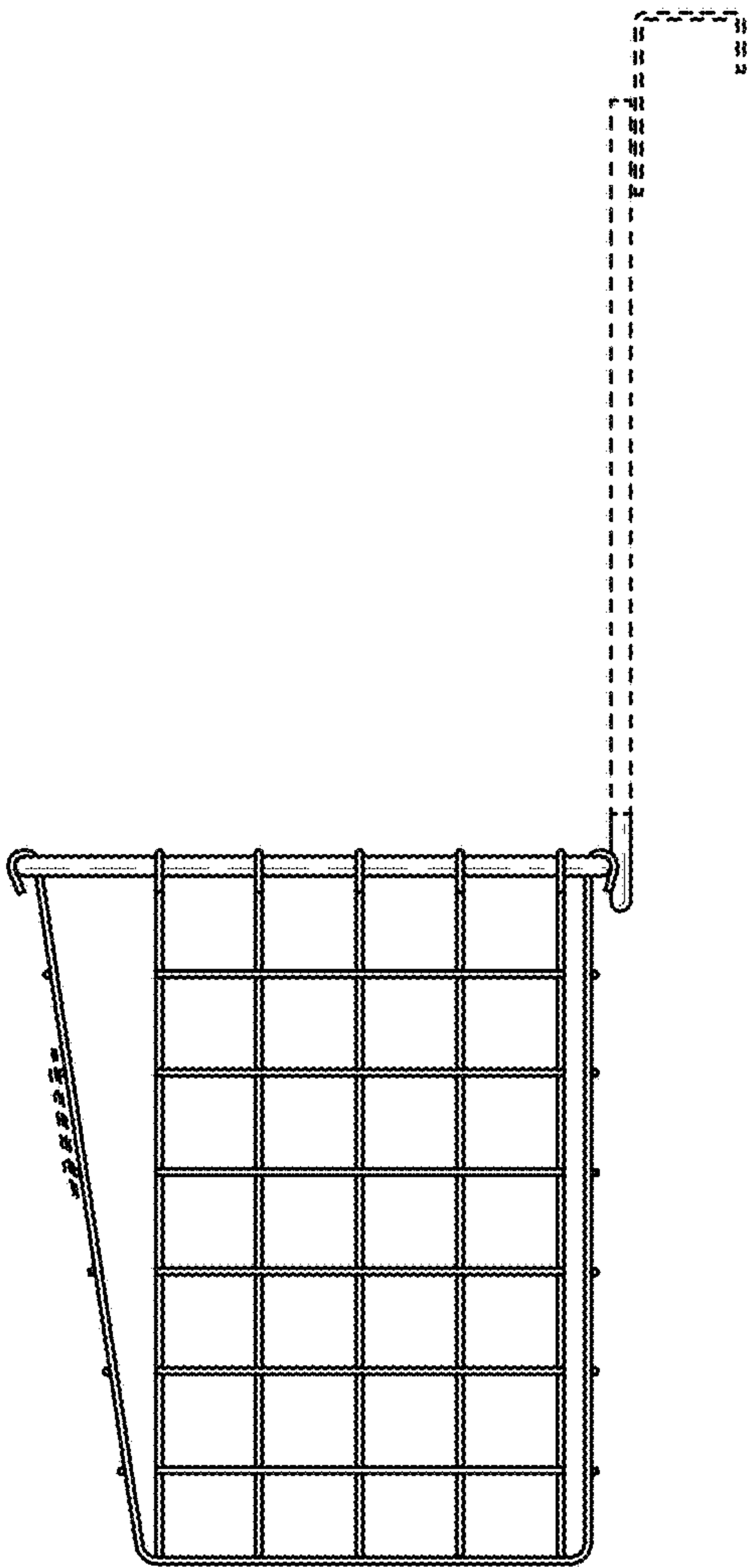


FIG. 4

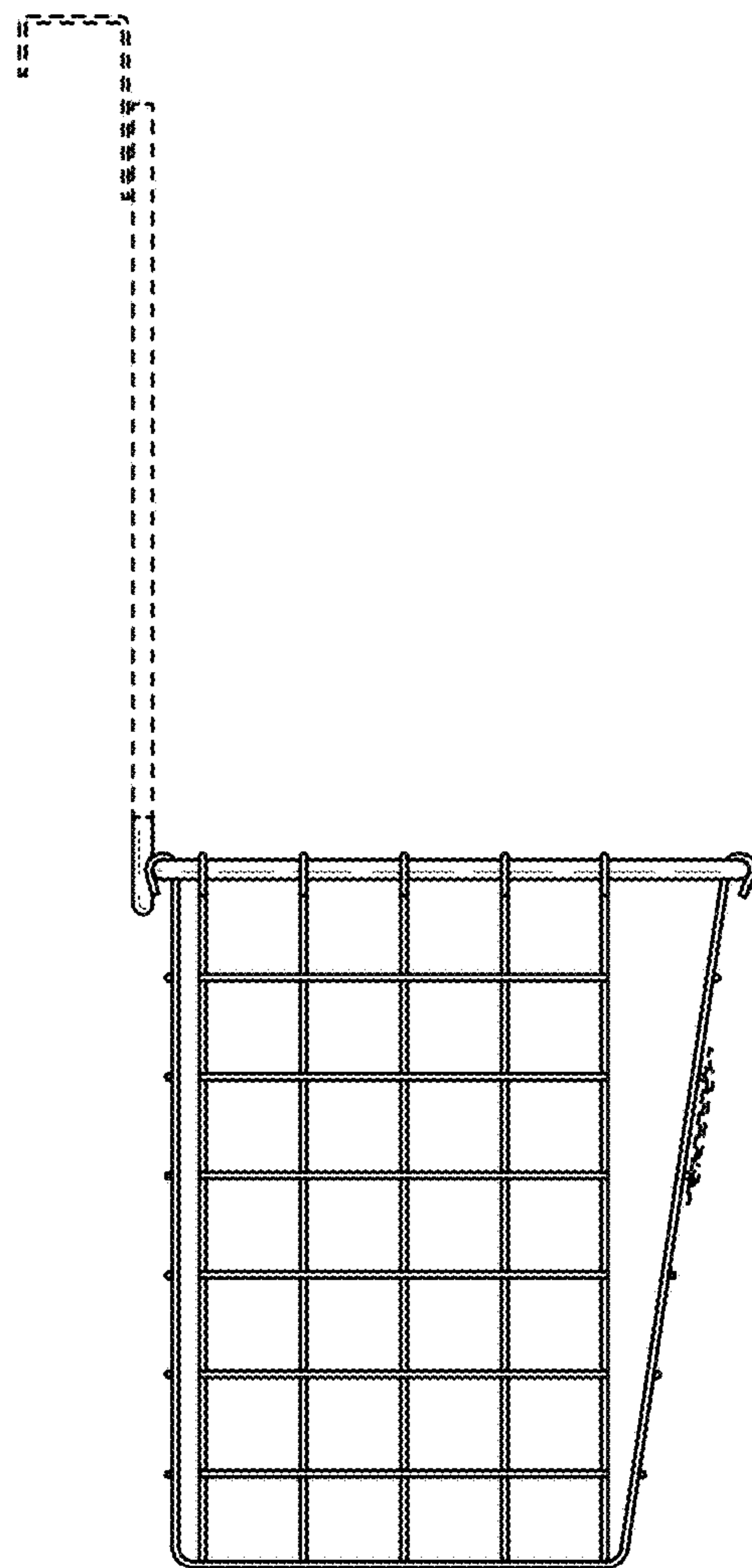


FIG. 5

FIG. 6

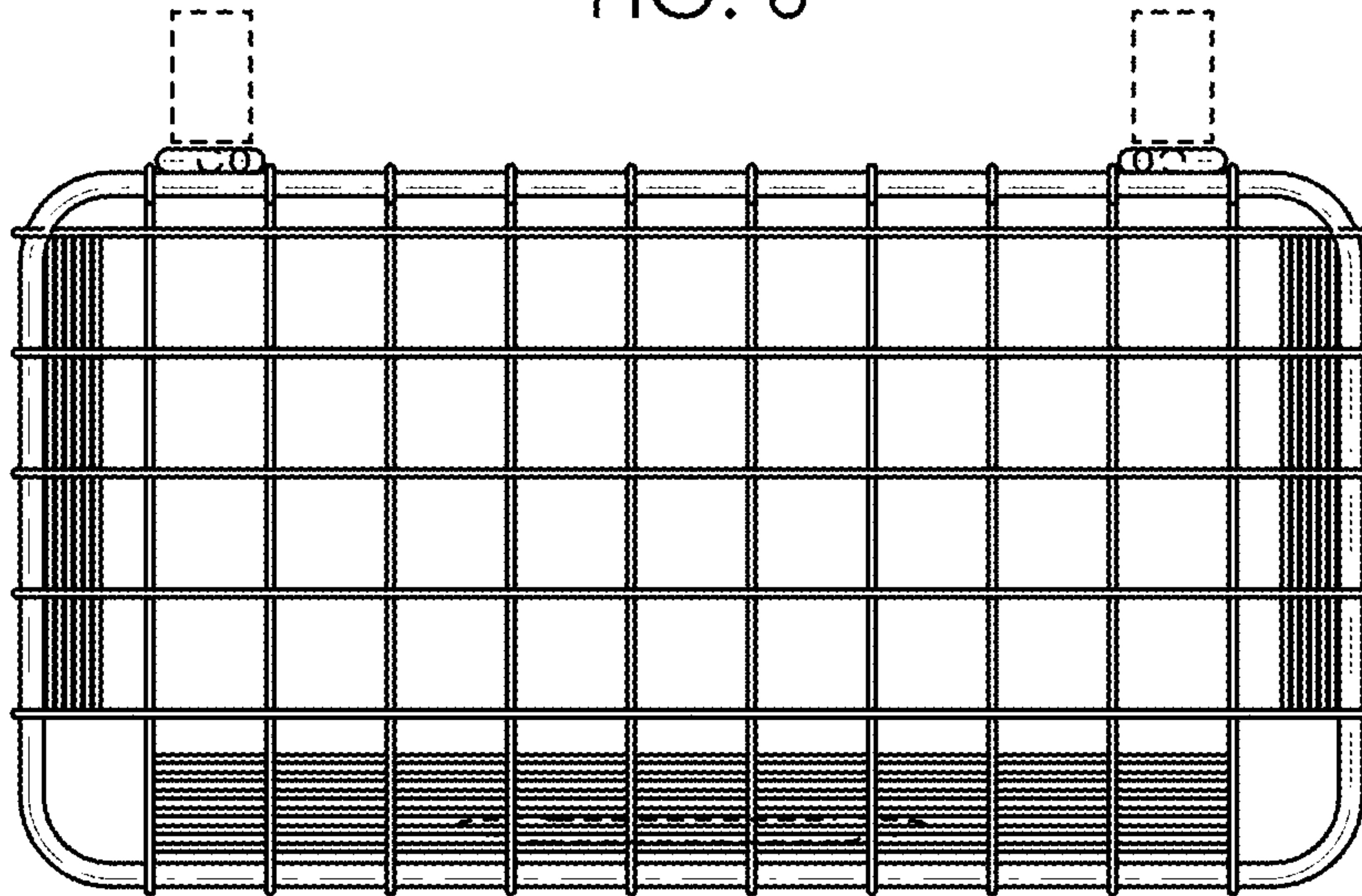


FIG. 7

