



US00D819332S

(12) **United States Design Patent**
Simpson

(10) **Patent No.:** **US D819,332 S**

(45) **Date of Patent:** **** Jun. 5, 2018**

(54) **CASE FOR COSMETIC PRODUCTS**

(71) Applicant: **Sharon Simpson**, Spanish Fort, AL
(US)

(72) Inventor: **Sharon Simpson**, Spanish Fort, AL
(US)

(**) Term: **15 Years**

(21) Appl. No.: **29/572,197**

(22) Filed: **Jul. 26, 2016**

(51) **LOC (11) Cl.** **03-01**

(52) **U.S. Cl.**
USPC **D3/301**

(58) **Field of Classification Search**
USPC D3/221, 255, 247, 269, 299, 273, 276,
D3/289, 293, 290, 301, 303, 318, 319;
D9/702, 703, 705, 707, 709, 710, 433,
D9/901, 716, 737, 742, 761, 903; D19/3
CPC A47C 7/62; A47C 1/14
See application file for complete search history.

(56) **References Cited**

U.S. PATENT DOCUMENTS

D270,784 S *	10/1983	Forrester	224/918
D306,520 S *	3/1990	McCarthy	D12/133
D344,015 S *	2/1994	Jacobson	D3/227
D344,016 S *	2/1994	Jacobson	D9/709
D344,407 S *	2/1994	Derrickson	D3/245
D347,789 S *	6/1994	Kaplan	D3/299
D475,918 S *	6/2003	Ajootian	D9/709
D483,181 S *	12/2003	Evans	D3/318
D565,404 S *	4/2008	Doherty	D9/709
D572,006 S *	7/2008	Preston	D3/303
D595,592 S *	7/2009	Beyer	D9/707
D619,359 S *	7/2010	Pascua	D3/247
D644,535 S *	9/2011	Gallagher	D9/709
D658,879 S *	5/2012	Sgambellone	D3/303
D666,921 S *	9/2012	Gallagher	B65D 33/20
				D9/709
D709,700 S *	7/2014	Nunez	D3/303

D709,701 S *	7/2014	Coleman	D3/303
D709,702 S *	7/2014	Coleman	D3/303
D709,703 S *	7/2014	Coleman	D3/303
D710,106 S *	8/2014	Coleman	D3/303

(Continued)

Primary Examiner — Sandra S Snapp

Assistant Examiner — Holly E Thurman

(74) *Attorney, Agent, or Firm* — AdamsIP, LLC; Stephen Thompson; J. Hunter Adams

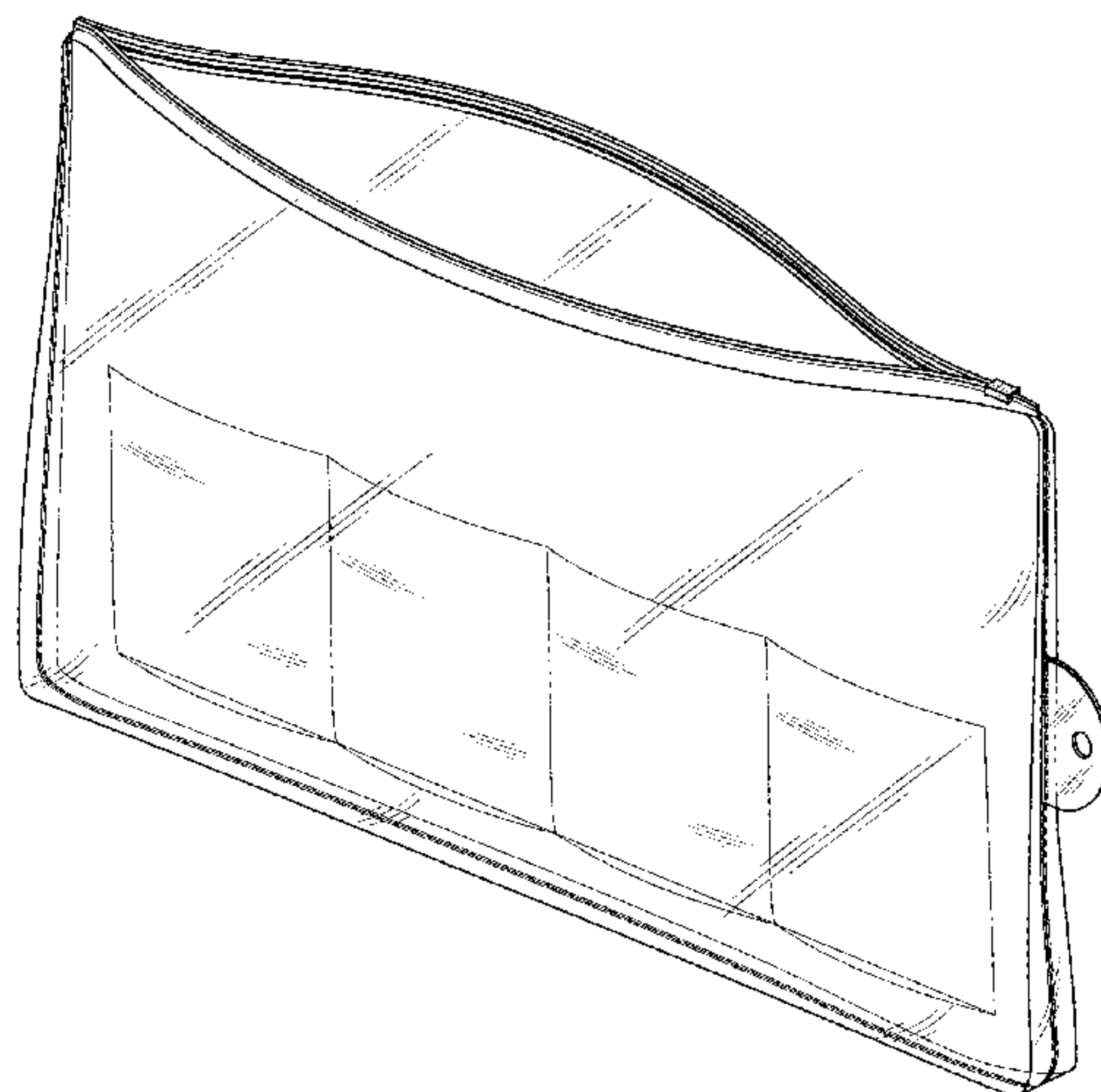
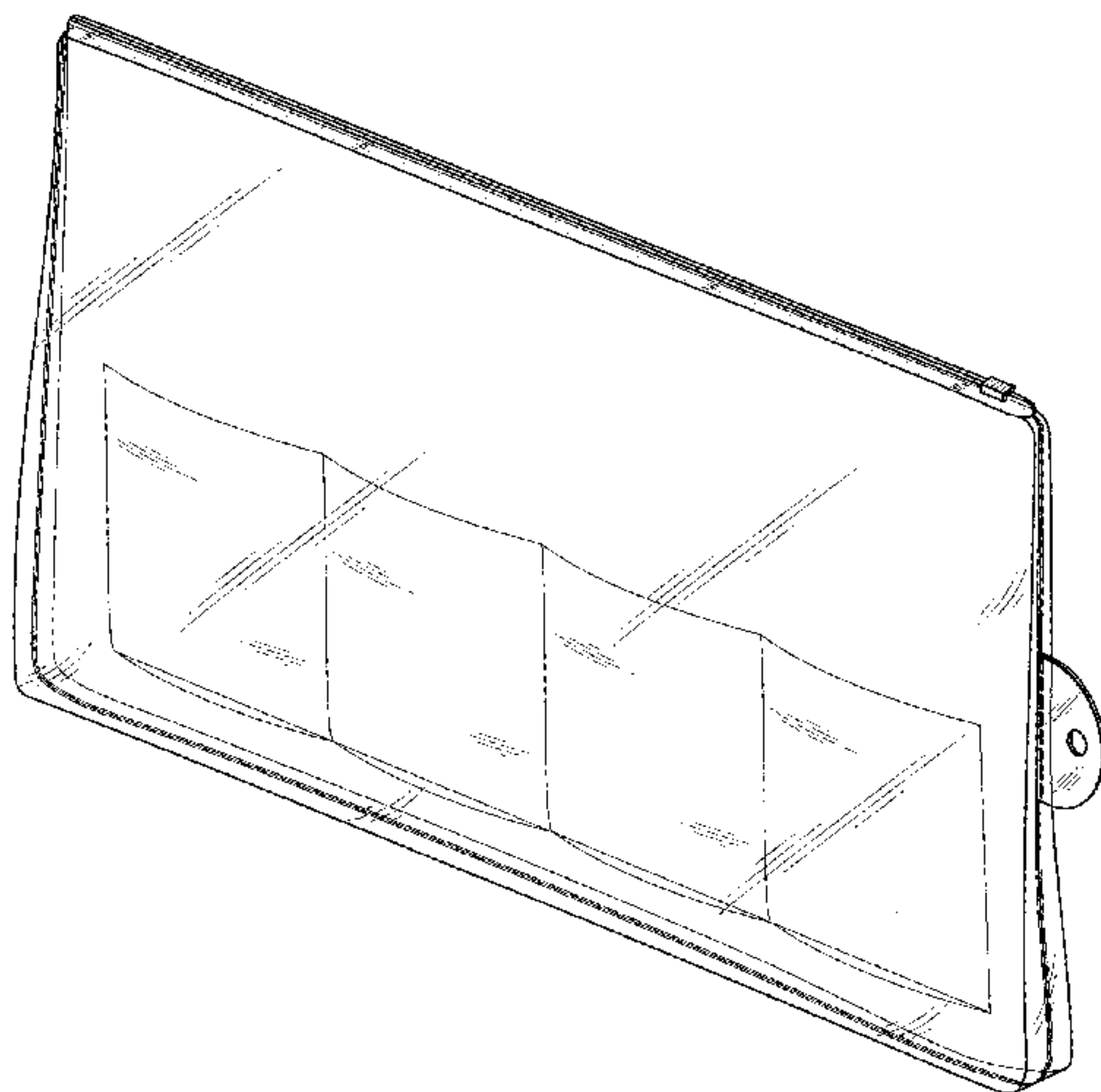
(57) **CLAIM**

The ornamental design for a case for cosmetic products, as shown and described.

DESCRIPTION

FIG. 1 is a front perspective view of a case for cosmetic products incorporating my new design;
 FIG. 2 is a front elevation view of a case for cosmetic products incorporating my new design;
 FIG. 3 is a rear elevation view of a case for cosmetic products incorporating my new design;
 FIG. 4 is a left side view of a case for cosmetic products incorporating my new design;
 FIG. 5 is a right side view of a case for cosmetic products incorporating my new design;
 FIG. 6 is a top plan view of a case for cosmetic products incorporating my new design;
 FIG. 7 is a bottom plan view of a case for cosmetic products incorporating my new design;
 FIG. 8 shows a front perspective view of a case for cosmetic products incorporating my new design, with the case in an open position;
 FIG. 9 shows a top plan view of a case for cosmetic products incorporating my new design, with the case in an open position; and,
 FIG. 10 shows a front perspective view of a case for cosmetic products incorporating my new design, with a perforated tab in the disconnected position.

1 Claim, 8 Drawing Sheets



(56)

References Cited

U.S. PATENT DOCUMENTS

D710,212 S * 8/2014 Coleman D9/709
D782,821 S * 4/2017 Fiorello D3/301
2007/0292052 A1* 12/2007 Hui B65D 33/2591
383/63

* cited by examiner

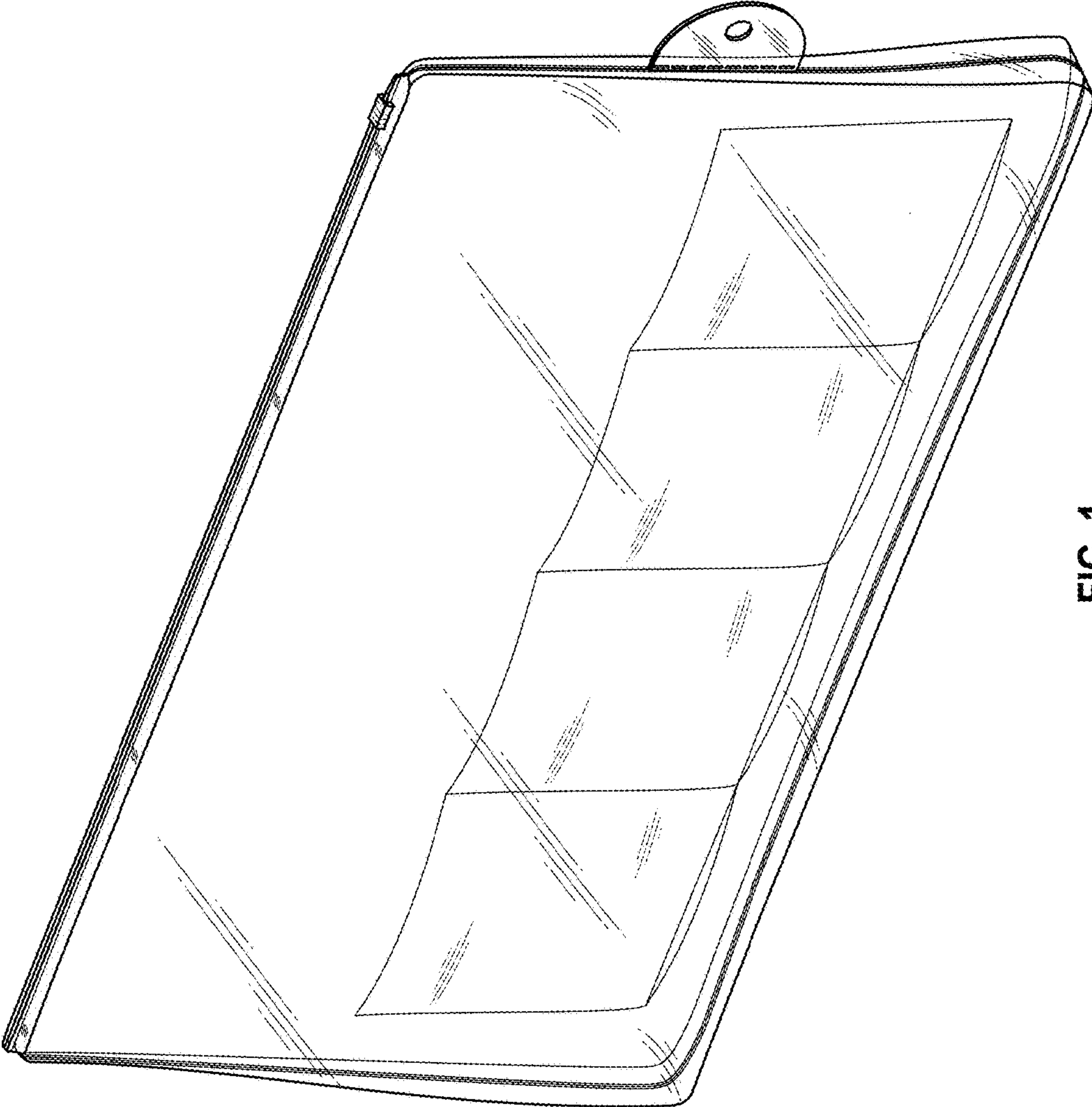


FIG. 1

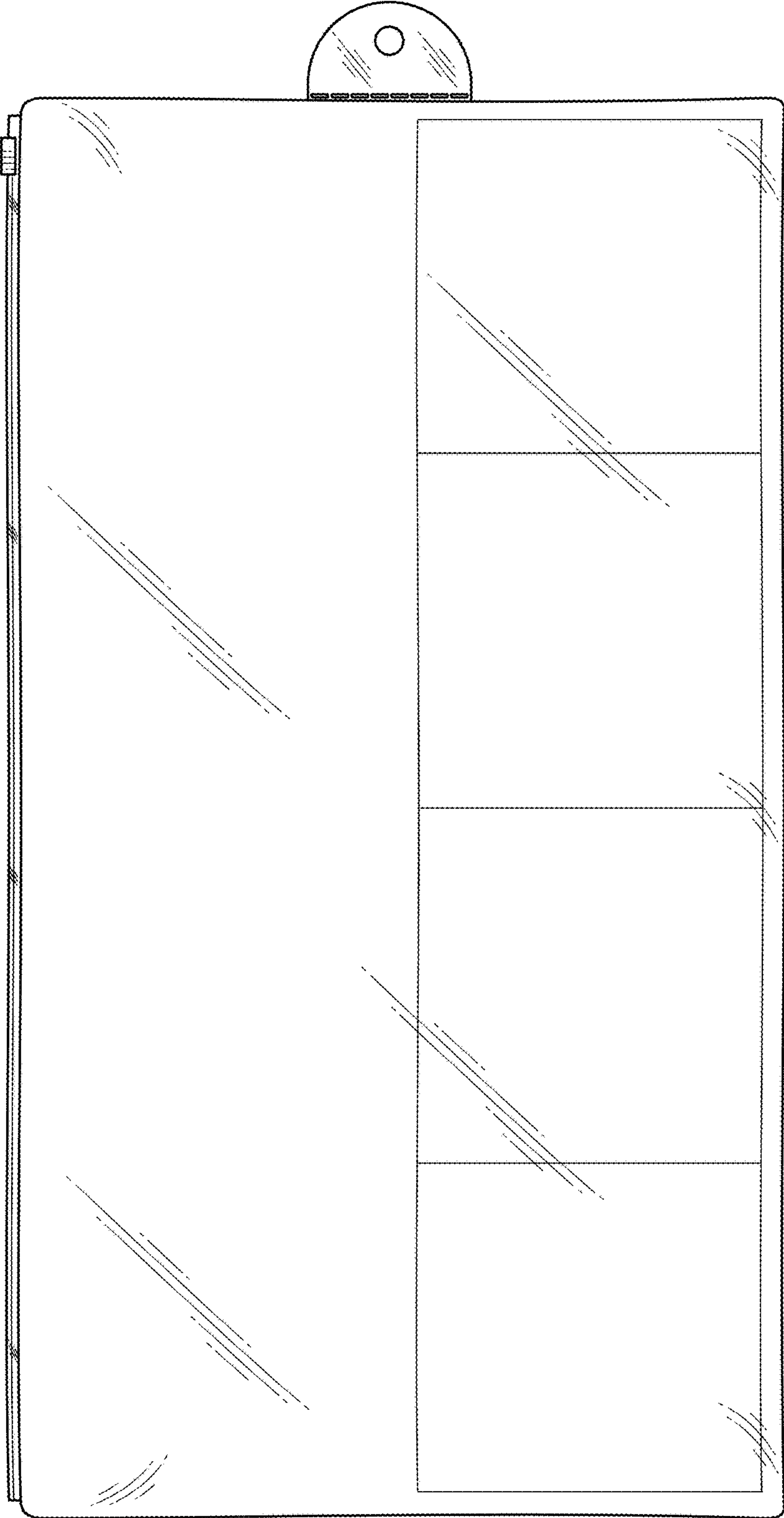


FIG. 2

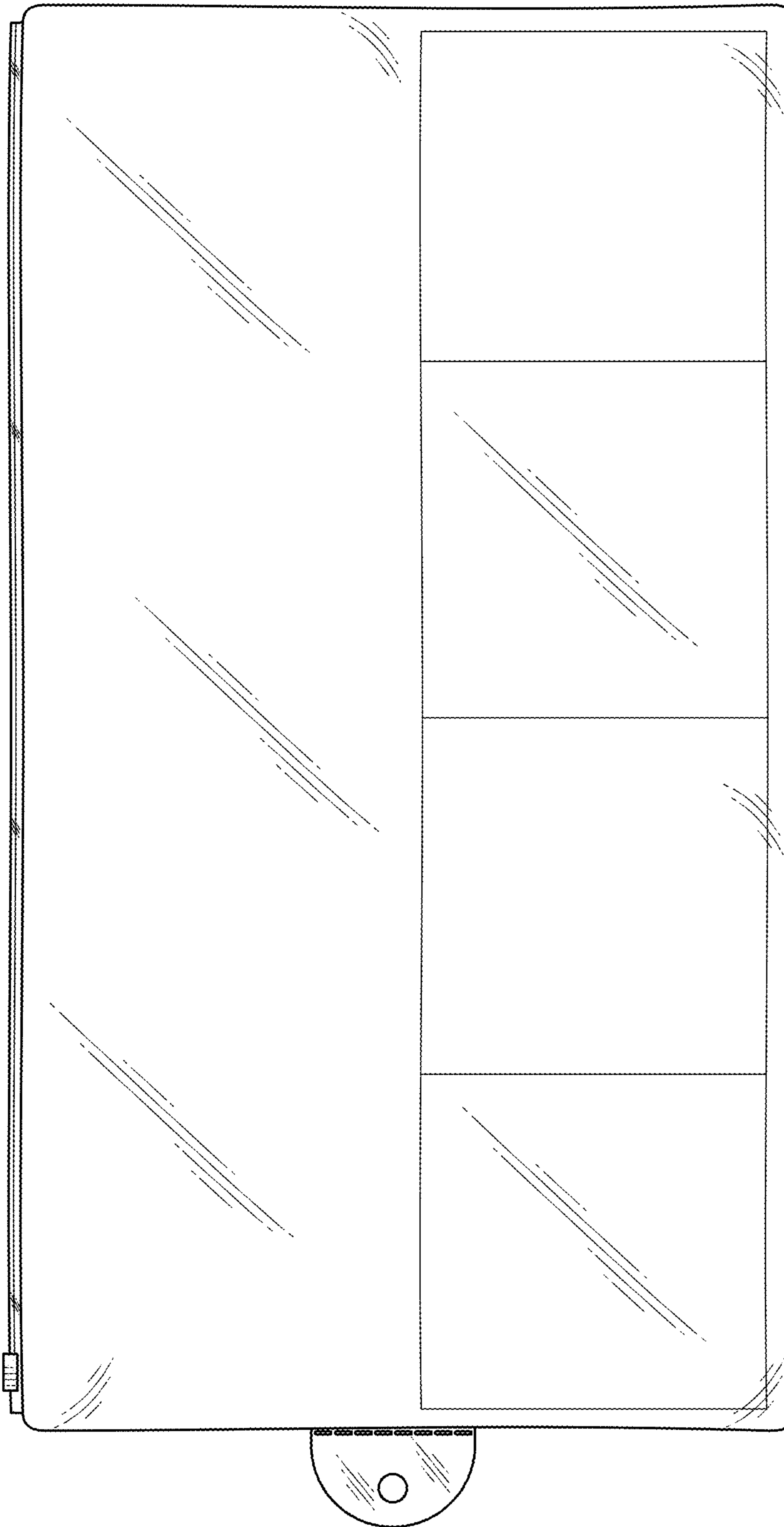


FIG. 3

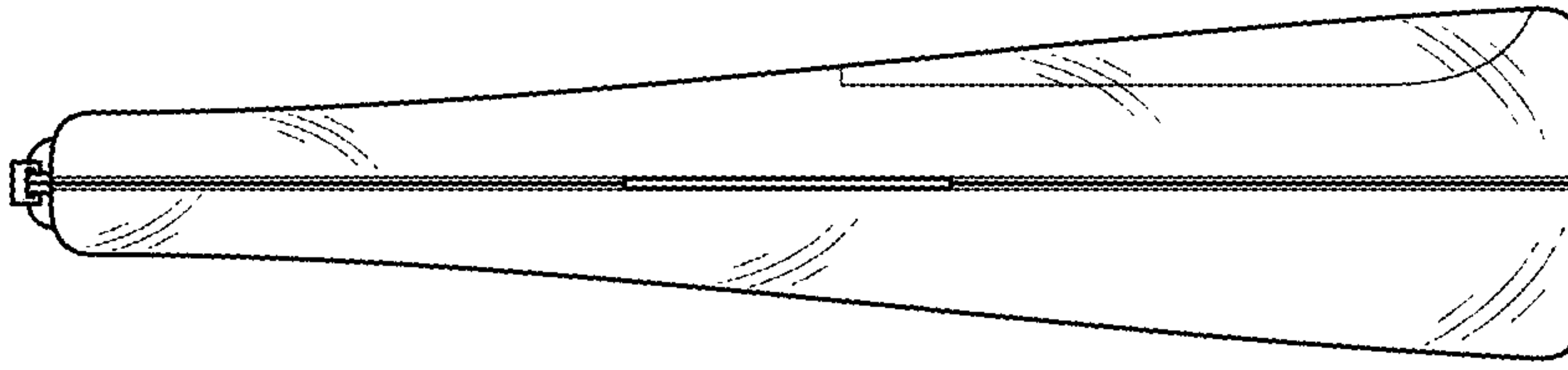


FIG. 4

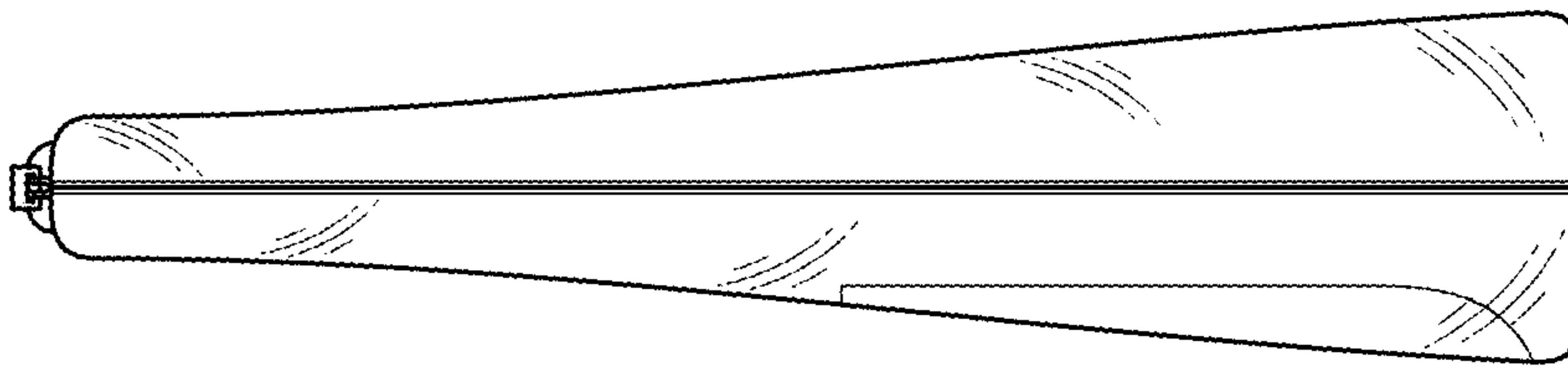


FIG. 5

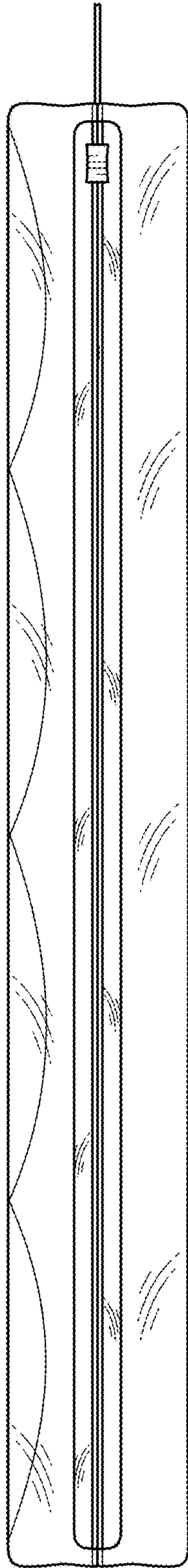


FIG. 6

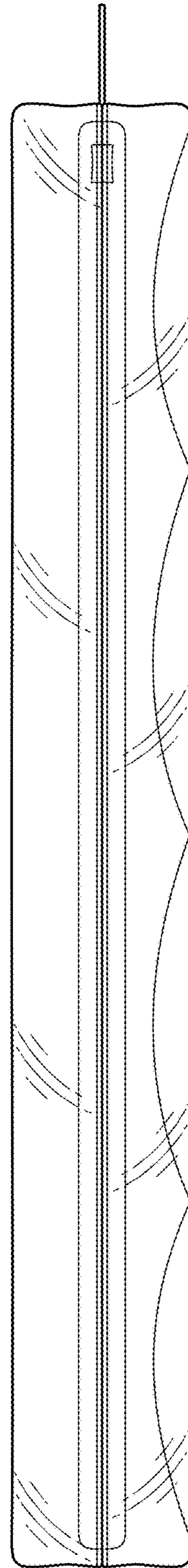


FIG. 7

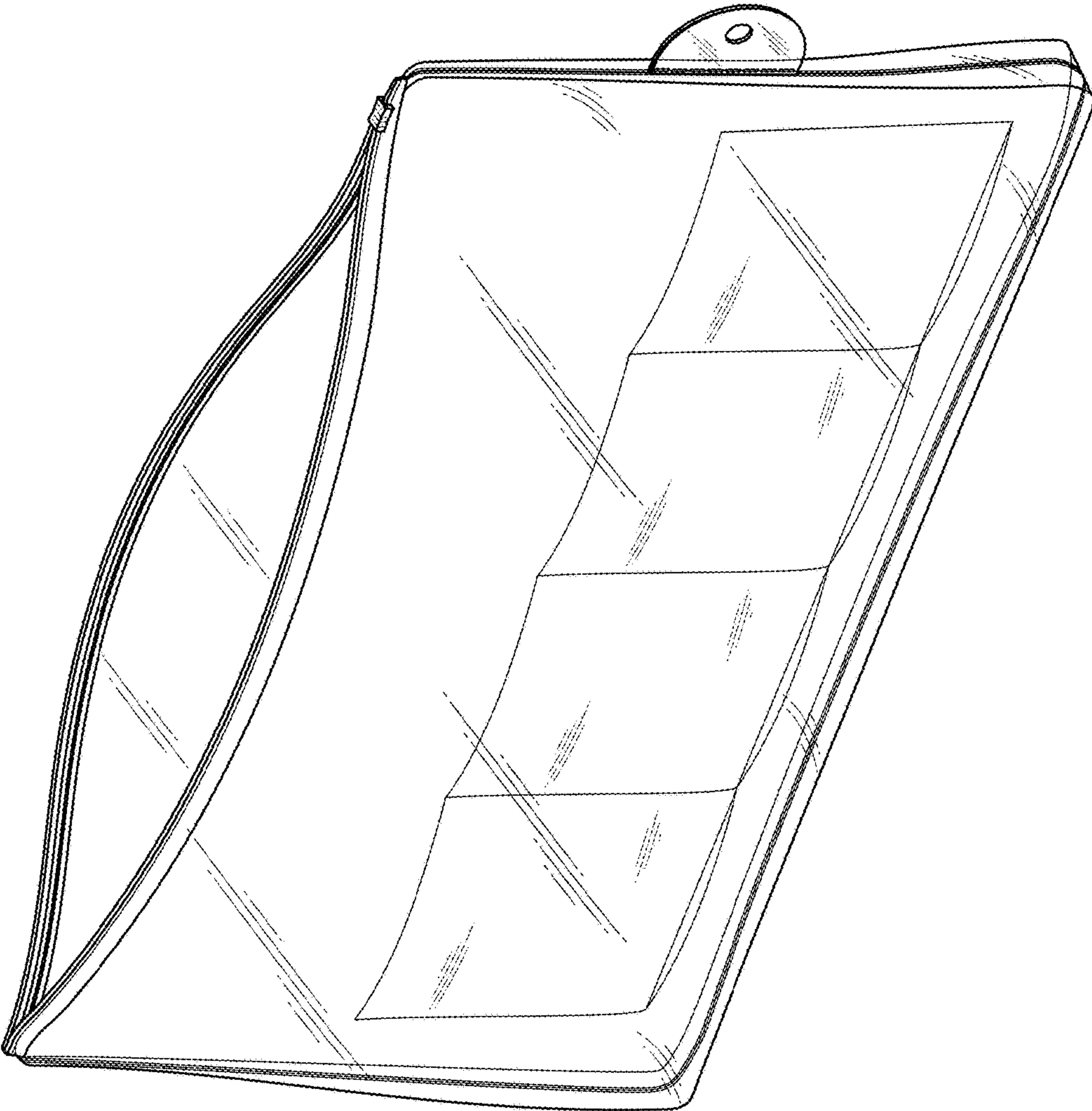


FIG. 8

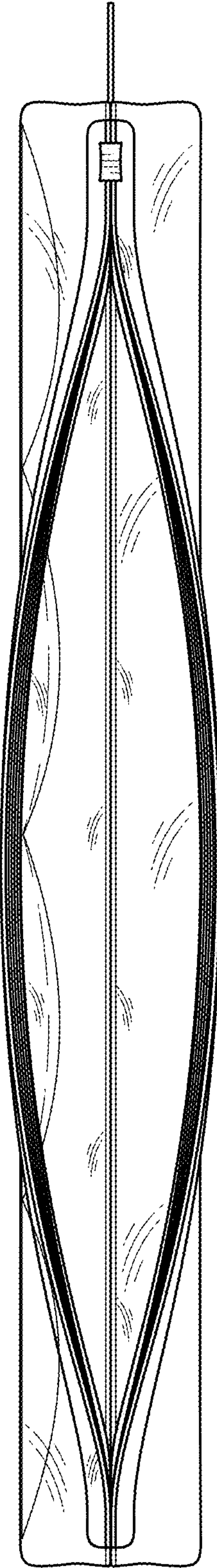


FIG. 9

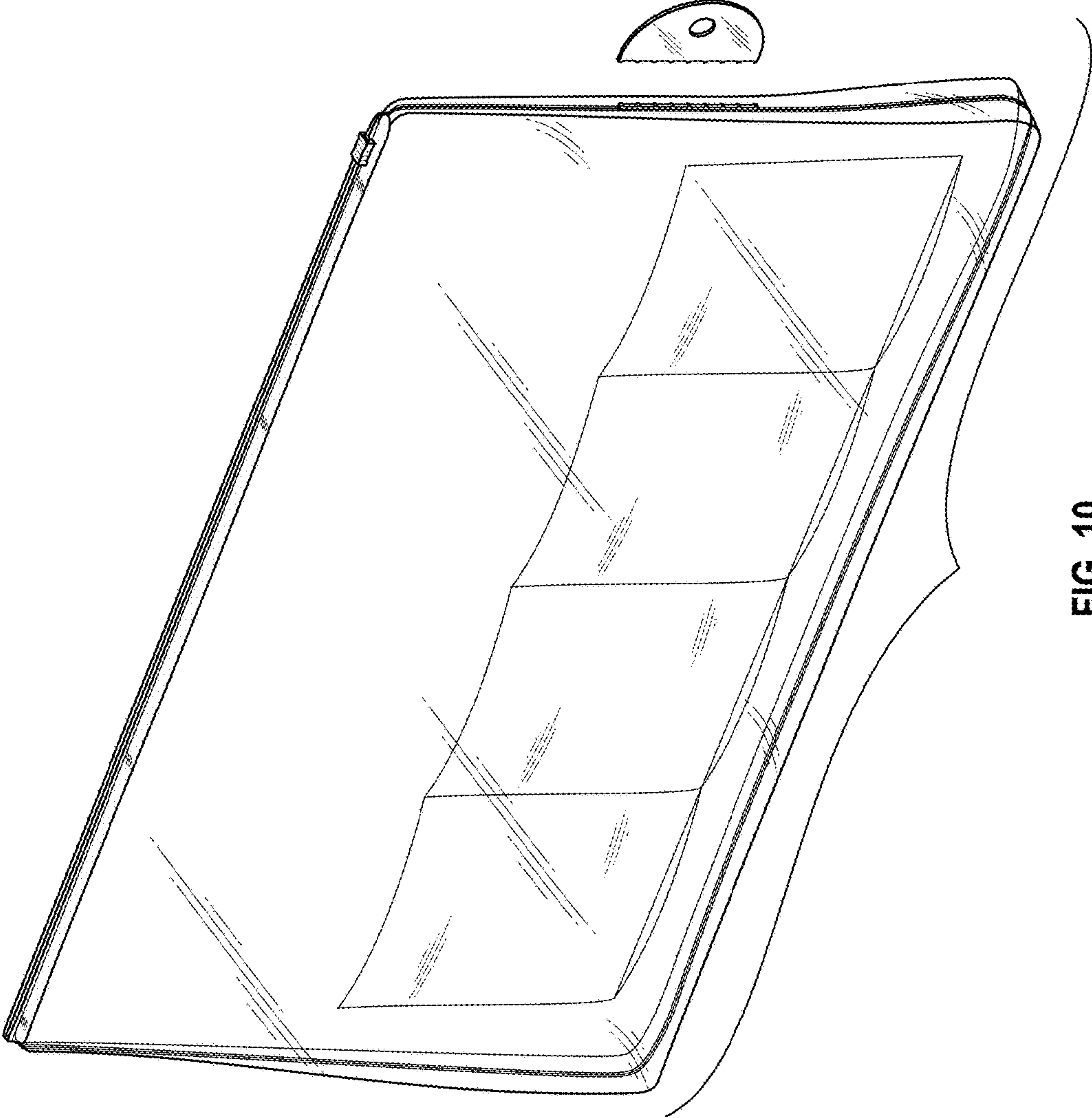


FIG. 10