



US00D819330S

(12) **United States Design Patent** (10) **Patent No.:** **US D819,330 S**
Bennett (45) **Date of Patent:** **** Jun. 5, 2018**

(54) **SPORTS BAG**

(71) Applicant: **Radical Fencing, LLC**, Glenford, NY (US)

(72) Inventor: **Philippe Bennett**, New York, NY (US)

(73) Assignee: **Radical Fencing, LLC**, Glenford, NY (US)

(**) Term: **15 Years**

(21) Appl. No.: **29/567,994**

(22) Filed: **Jun. 14, 2016**

(51) **LOC (11) Cl.** **03-01**

(52) **U.S. Cl.**
USPC **D3/254**

(58) **Field of Classification Search**
USPC D3/254, 201, 273, 270, 321, 904, 221,
D3/234, 255-262, 271.9
CPC A45F 3/02; A45F 3/00; A45F 5/00; A63B
55/57; A63B 69/02; F41B 13/02
See application file for complete search history.

(56) **References Cited**

U.S. PATENT DOCUMENTS

2,108,418	A *	2/1938	Thomas	A23G 9/506 229/400
D264,146	S *	5/1982	Davis	D3/287
4,444,795	A *	4/1984	Weinstein	B65D 85/78 206/822
5,287,822	A *	2/1994	Anderson	E01F 9/654 116/63 C
5,417,354	A *	5/1995	Jones	A01K 97/08 206/315.11
D363,817	S *	11/1995	Beckwith	D3/254
D471,012	S *	3/2003	Peterson	D3/254

D471,013	S *	3/2003	Peterson	D3/254
D523,633	S *	6/2006	Arnold	D3/254
D539,034	S *	3/2007	Friedman	D3/271.9
D554,858	S *	11/2007	Malloy	D3/254
D649,782	S *	12/2011	Chen	D3/270
D661,092	S *	6/2012	Chen	D3/270
D666,812	S *	9/2012	Coffing	D3/254
D677,886	S *	3/2013	Naicken	D3/254
D740,554	S *	10/2015	Collins	D3/254
D747,098	S *	1/2016	Collins	D3/254
D747,605	S *	1/2016	Collins	D3/254
D757,432	S *	5/2016	Hansen	D3/254
D779,816	S *	2/2017	Bennett	D3/220
D800,451	S *	10/2017	Collins	D3/254

* cited by examiner

Primary Examiner — Mitchell I. Siegel

(74) *Attorney, Agent, or Firm* — Davidson, Davidson & Kappel, LLC

(57) **CLAIM**

The ornamental design for a sports bag, as shown and described.

DESCRIPTION

FIG. 1 is a front perspective view of a sports bag according to the design;

FIG. 2 is a front view thereof;

FIG. 3 is a rear view thereof;

FIG. 4 is a right side view thereof;

FIG. 5 is a left side view thereof;

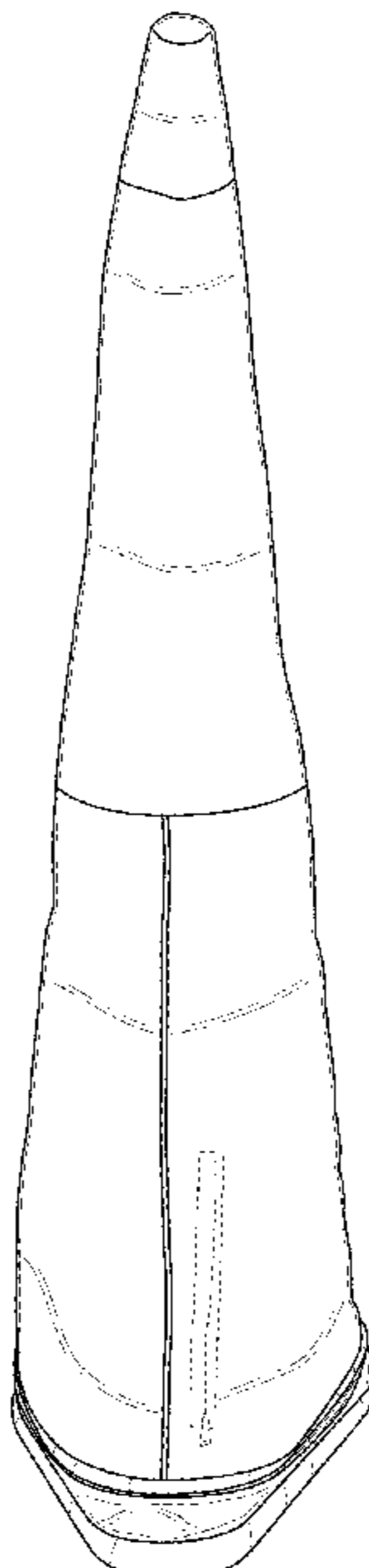
FIG. 6 is a top view thereof;

FIG. 7 is a bottom view thereof; and,

FIG. 8 is a top perspective view thereof.

The broken lines are for illustrative purposes only and form no part of the claimed design.

1 Claim, 5 Drawing Sheets



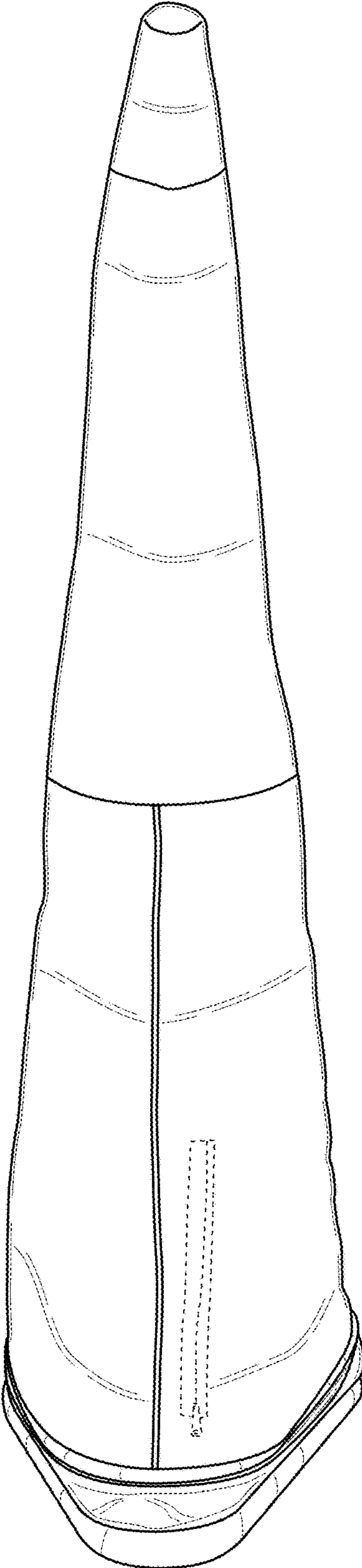


Fig. 1

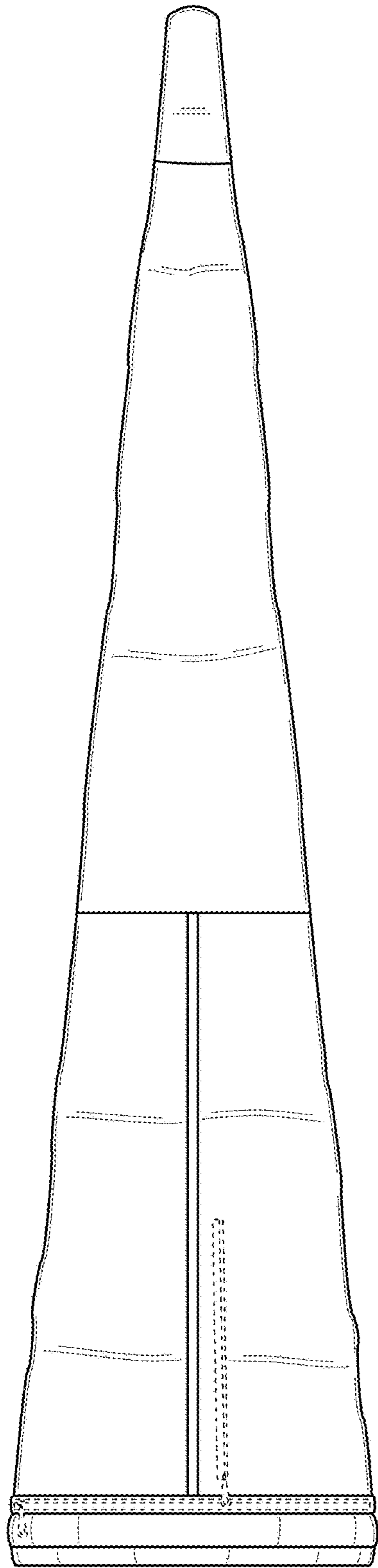


Fig. 2

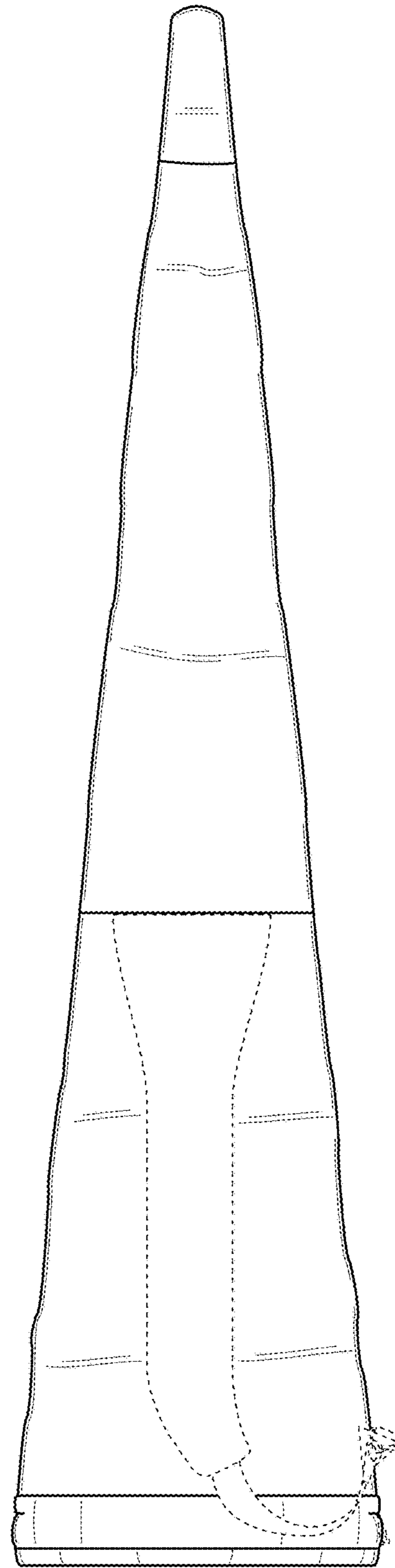


Fig. 3

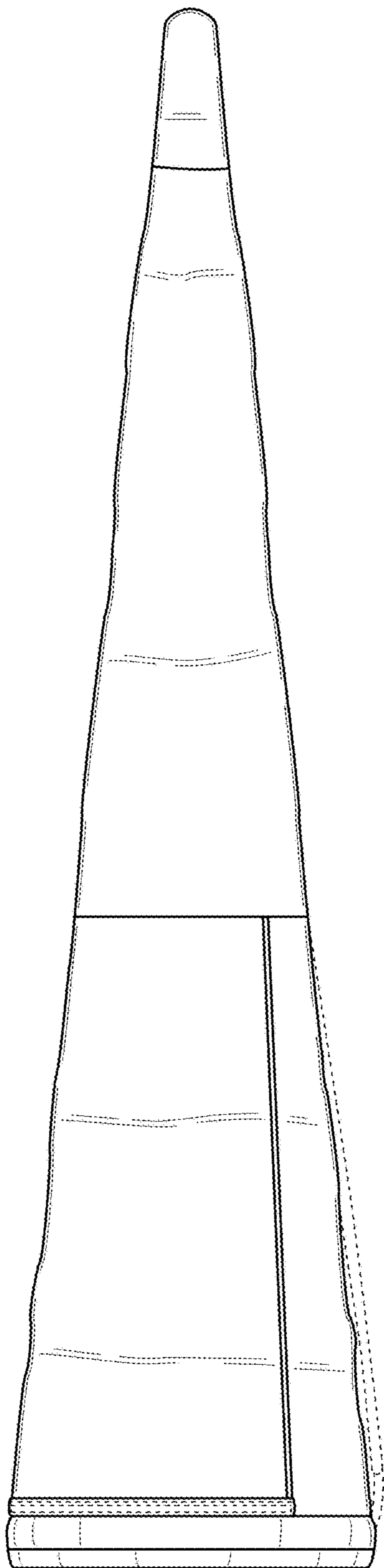


Fig. 4

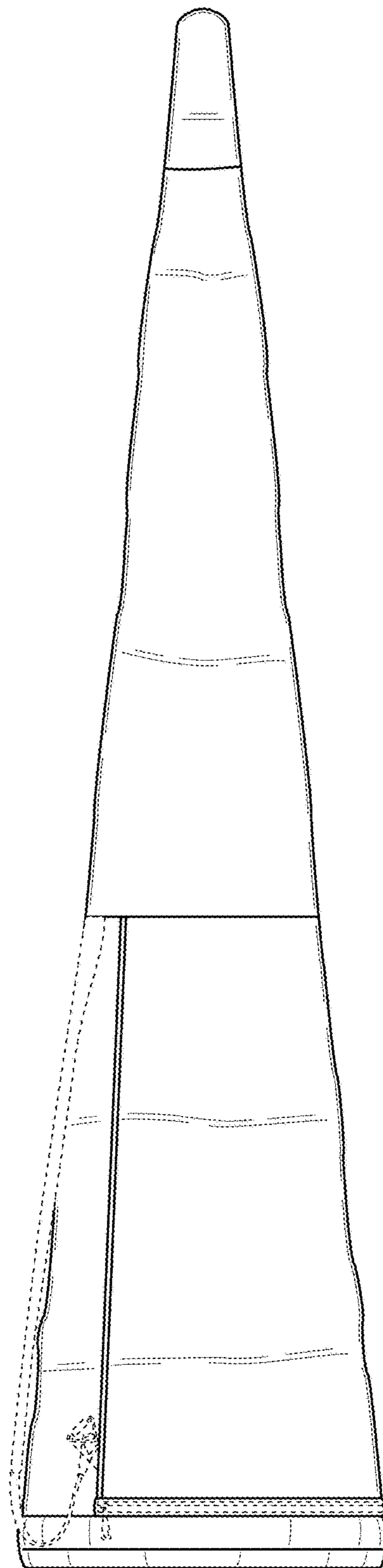


Fig. 5

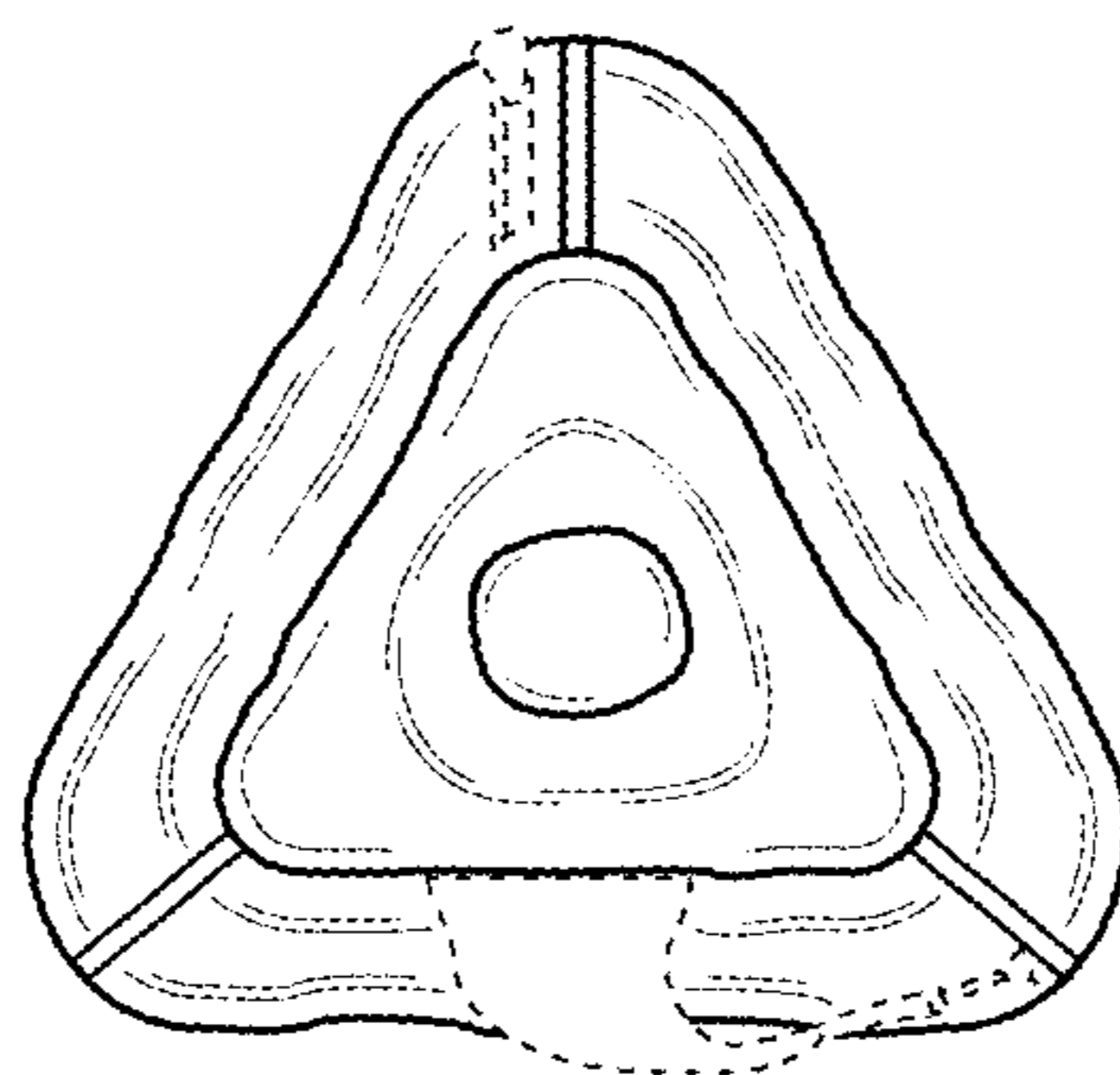


Fig. 6

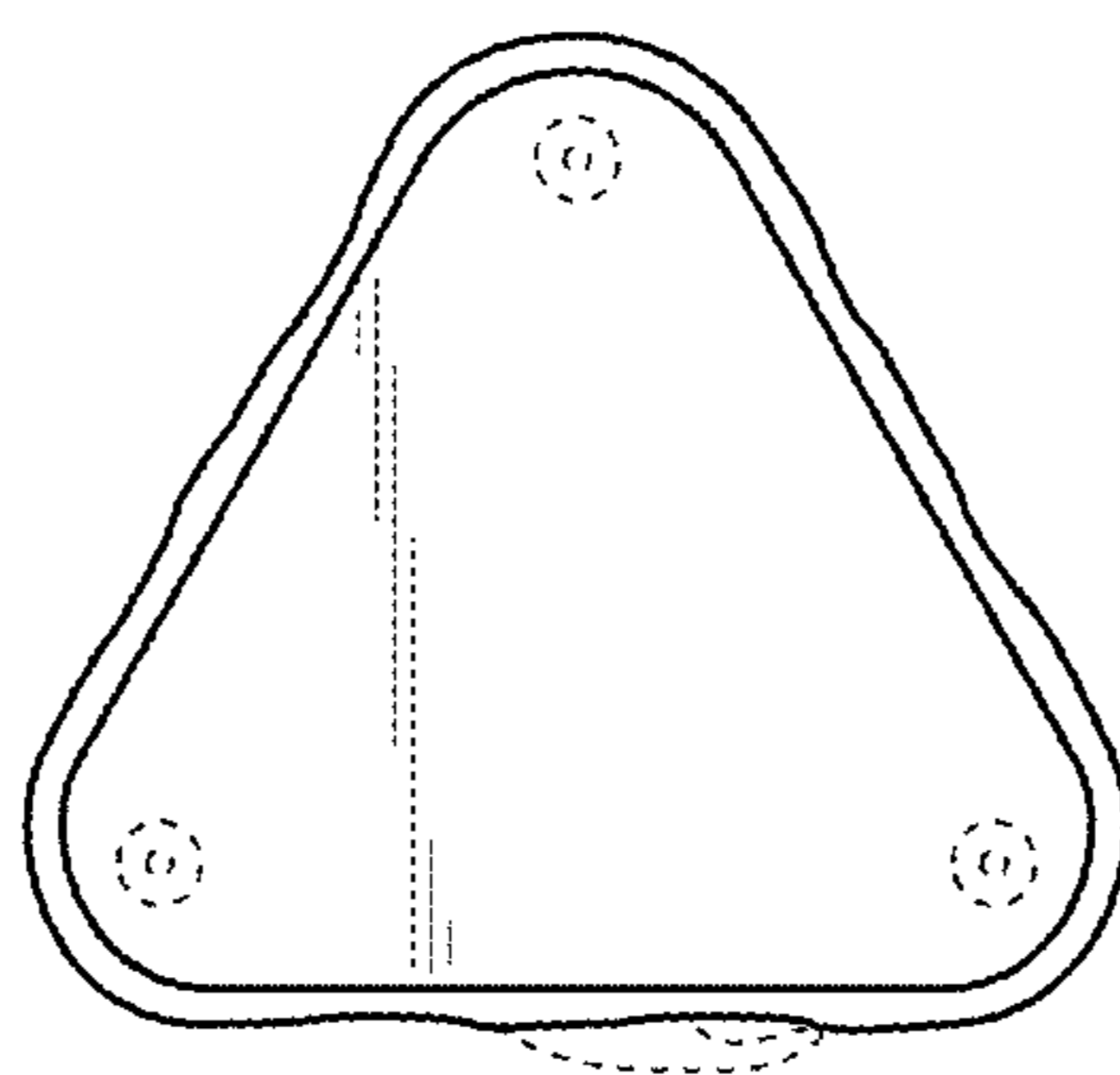


Fig. 7

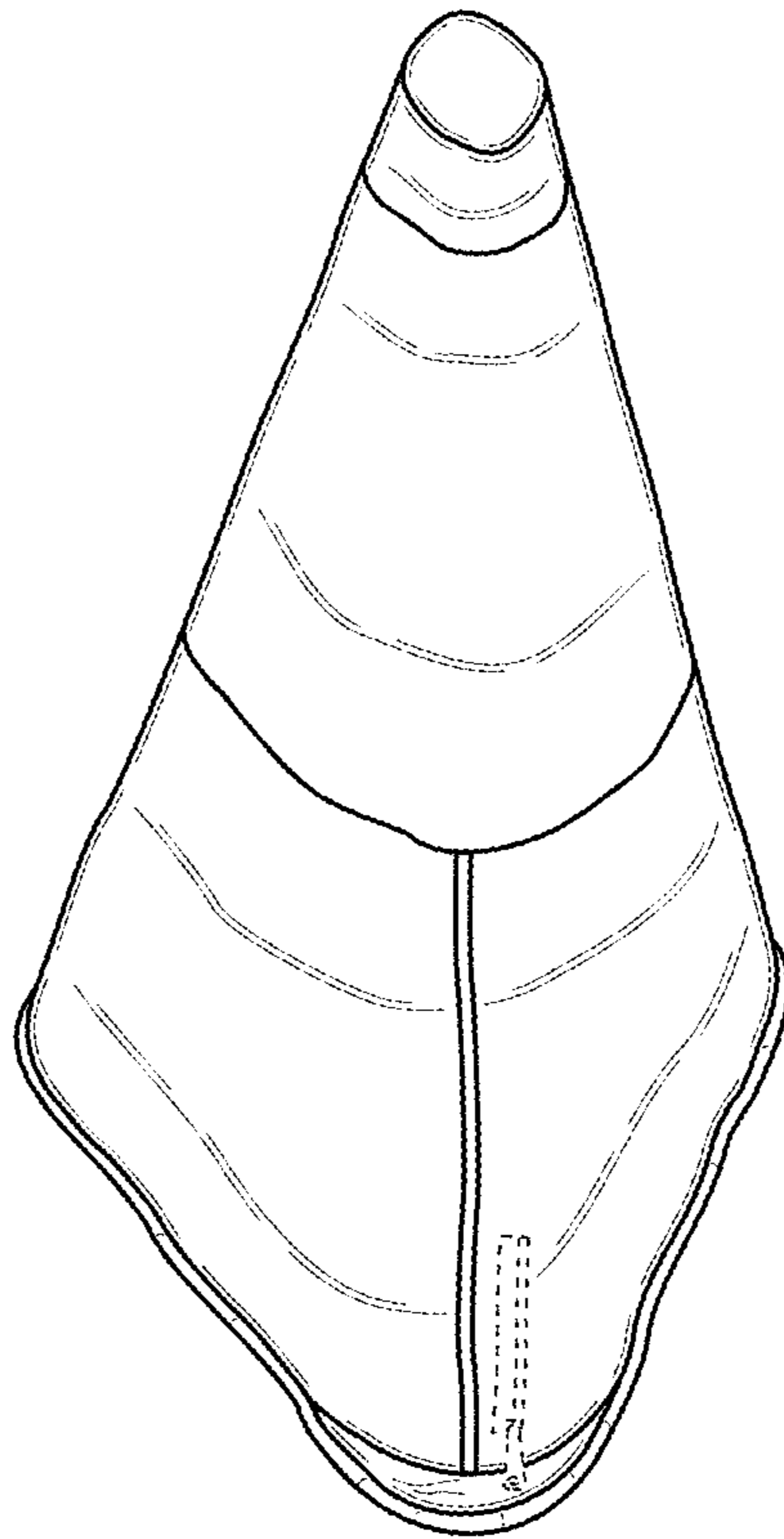


Fig. 8