



US00D819307S

(12) **United States Design Patent**
Wurtz

(10) **Patent No.:** **US D819,307 S**

(45) **Date of Patent:** **** Jun. 5, 2018**

(54) **MESSAGE SANDAL**

(71) Applicant: **Happy Feet Plus, Inc.**, Largo, FL (US)

(72) Inventor: **Jacob Wurtz**, Largo, FL (US)

(**) Term: **15 Years**

(21) Appl. No.: **29/623,223**

(22) Filed: **Oct. 24, 2017**

(51) **LOC (11) Cl.** **02-04**

(52) **U.S. Cl.**
USPC **D2/916**

(58) **Field of Classification Search**
USPC D2/896-900, 916-925, 940, 943, 946,
D2/952, 961
CPC .. A43B 3/12; A43B 3/10; A43B 3/122; A43B
23/25
See application file for complete search history.

(56) **References Cited**

U.S. PATENT DOCUMENTS

D108,491 S *	2/1938	Ford et al.	D2/910
3,722,113 A *	3/1973	Birkenstock	A43B 7/141
				36/11.5
3,757,774 A *	9/1973	Hatuno	A43B 3/128
				36/141
4,047,310 A *	9/1977	Sunoo	A43B 3/128
				36/11.5
4,095,353 A *	6/1978	Foldes	A43B 7/146
				36/11.5
D250,738 S *	1/1979	Foldes	D2/916

D281,735 S *	12/1985	Seltzer	36/141
D579,645 S *	11/2008	Guers-Neyraud	D2/970
D625,095 S *	10/2010	Issler	D2/911
D672,943 S *	12/2012	Reddell	D2/909
D707,925 S *	7/2014	Paleka	D2/911
D734,011 S *	7/2015	Lu	D2/961
9,192,205 B2 *	11/2015	McDowell	A43B 3/108
D781,540 S *	3/2017	Mitchell	D2/916

* cited by examiner

Primary Examiner — Holly H Baynham

Assistant Examiner — Rashida C. Walshon

(74) *Attorney, Agent, or Firm* — Larson & Larson, P.A.;
Justin P. Miller; Patrick A. Reid

(57) **CLAIM**

I claim the ornamental design for a massage sandal, as shown and described.

DESCRIPTION

FIG. 1 is a perspective view of a massage sandal showing my new design;

FIG. 2 is a front view thereof;

FIG. 3 is a back view thereof;

FIG. 4 is a left-side view thereof;

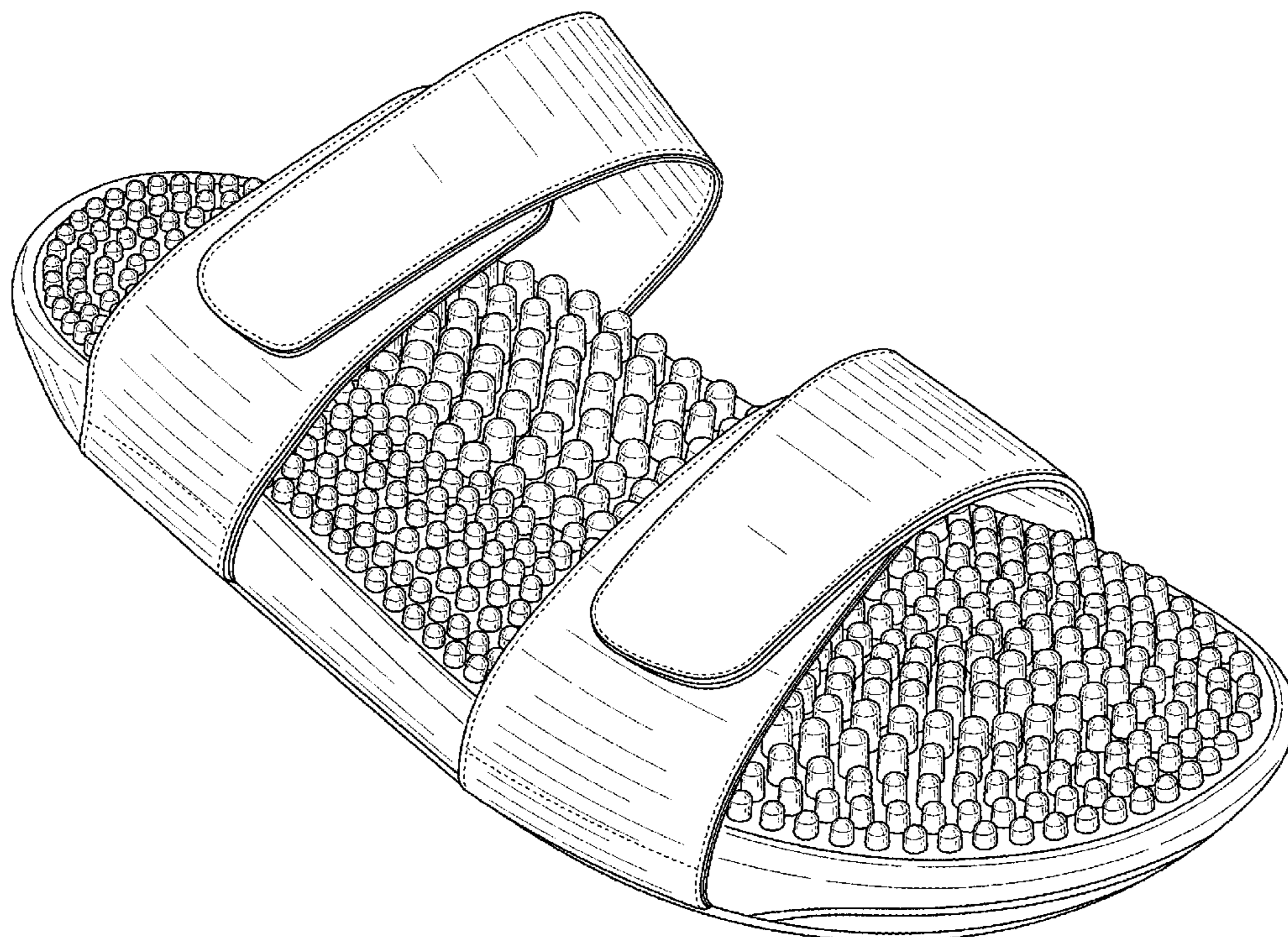
FIG. 5 is a right-side view thereof;

FIG. 6 is a top view thereof; and,

FIG. 7 is a bottom view thereof.

The broken lines in the figures depicting stitching are for the purpose of illustrating the unclaimed portions of the article and form no part of the claimed design.

1 Claim, 6 Drawing Sheets



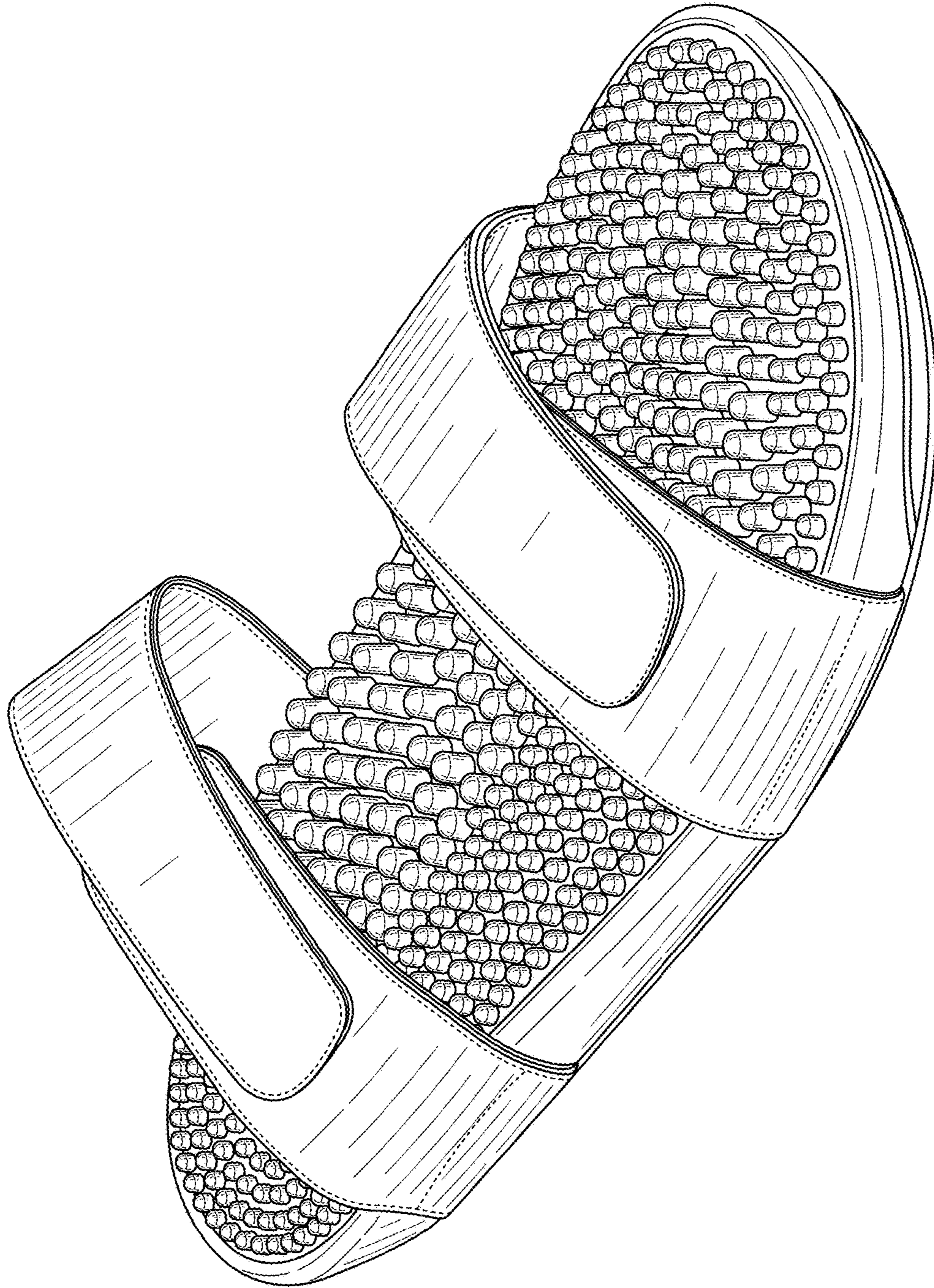


FIG. 1

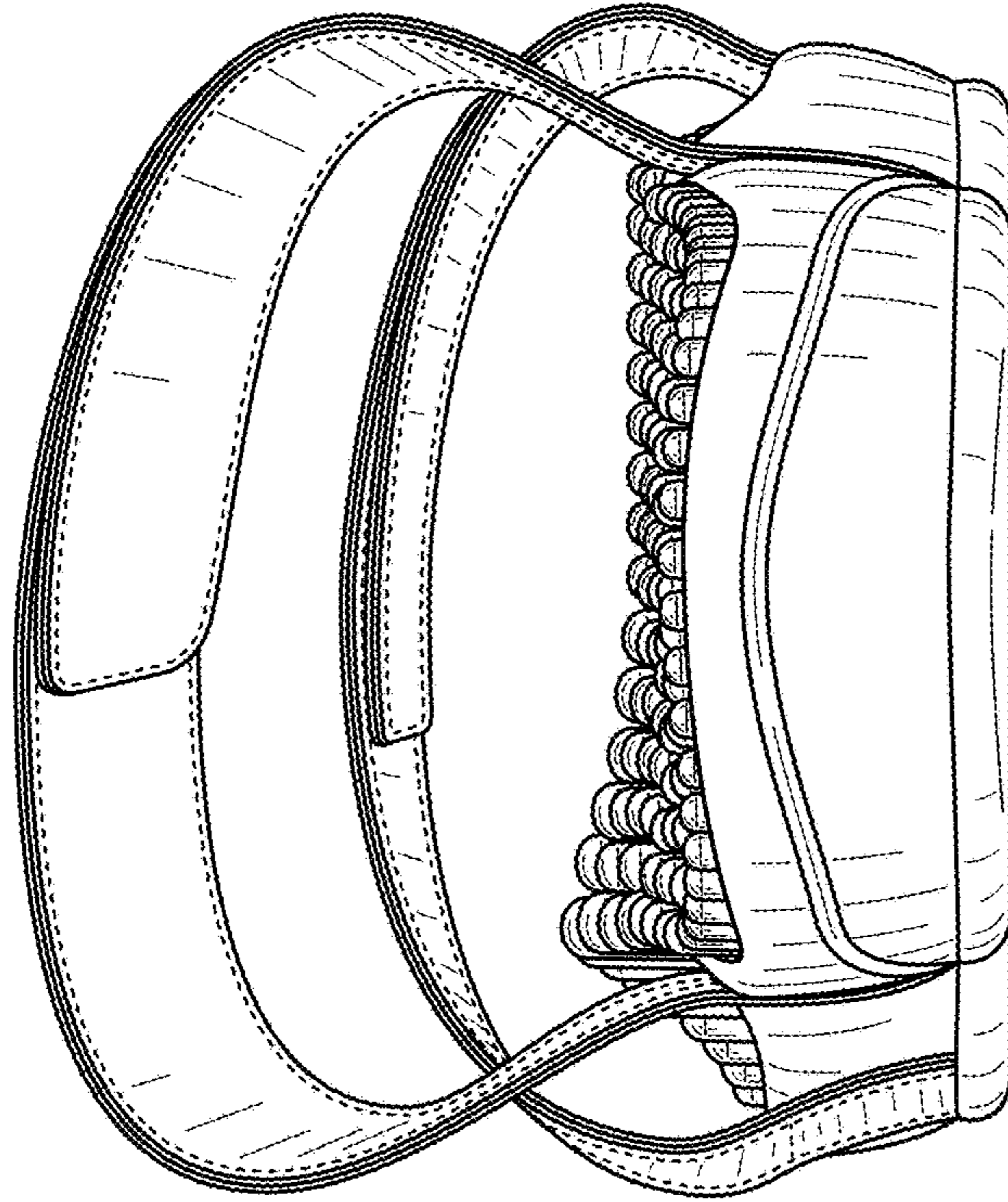


FIG. 3

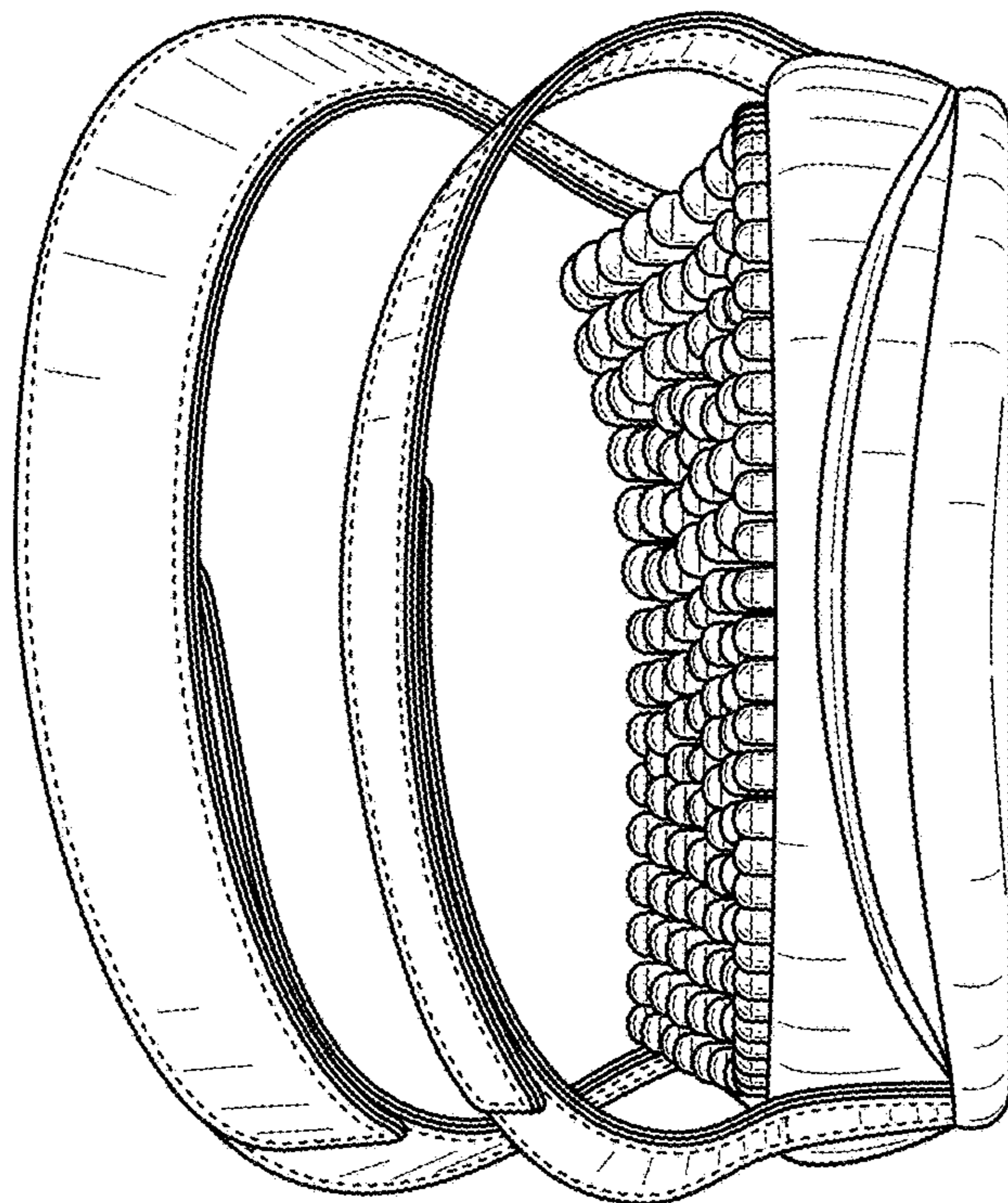


FIG. 2

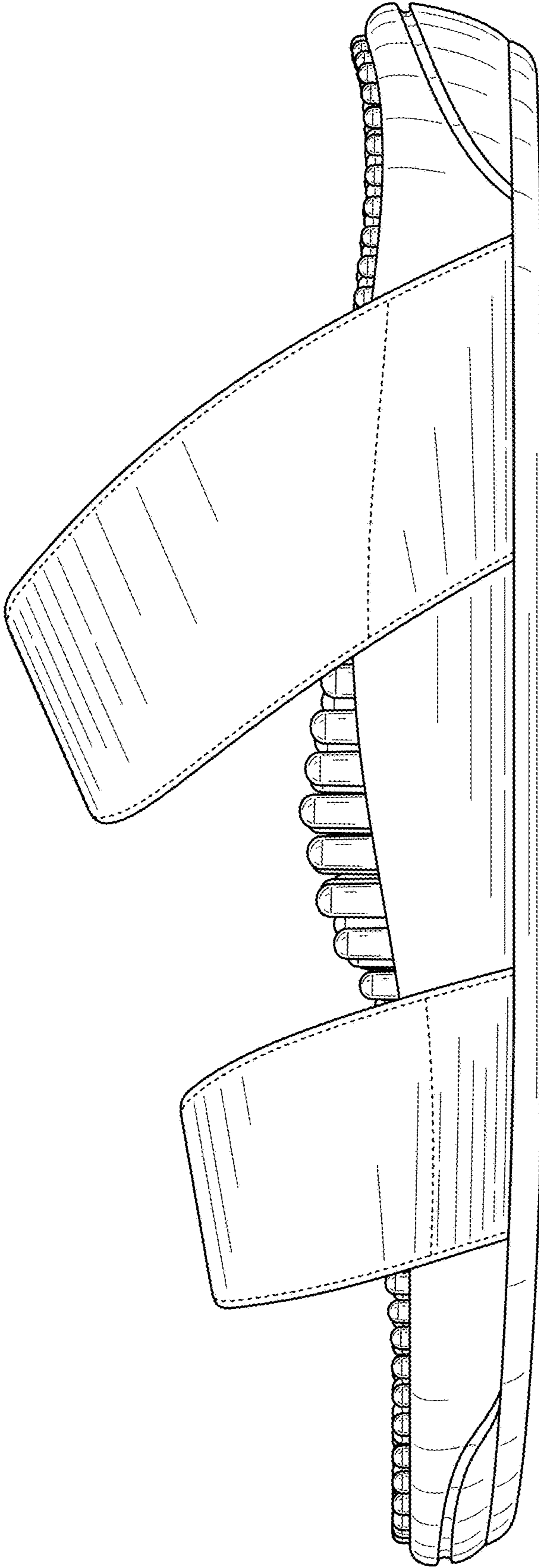


FIG. 4

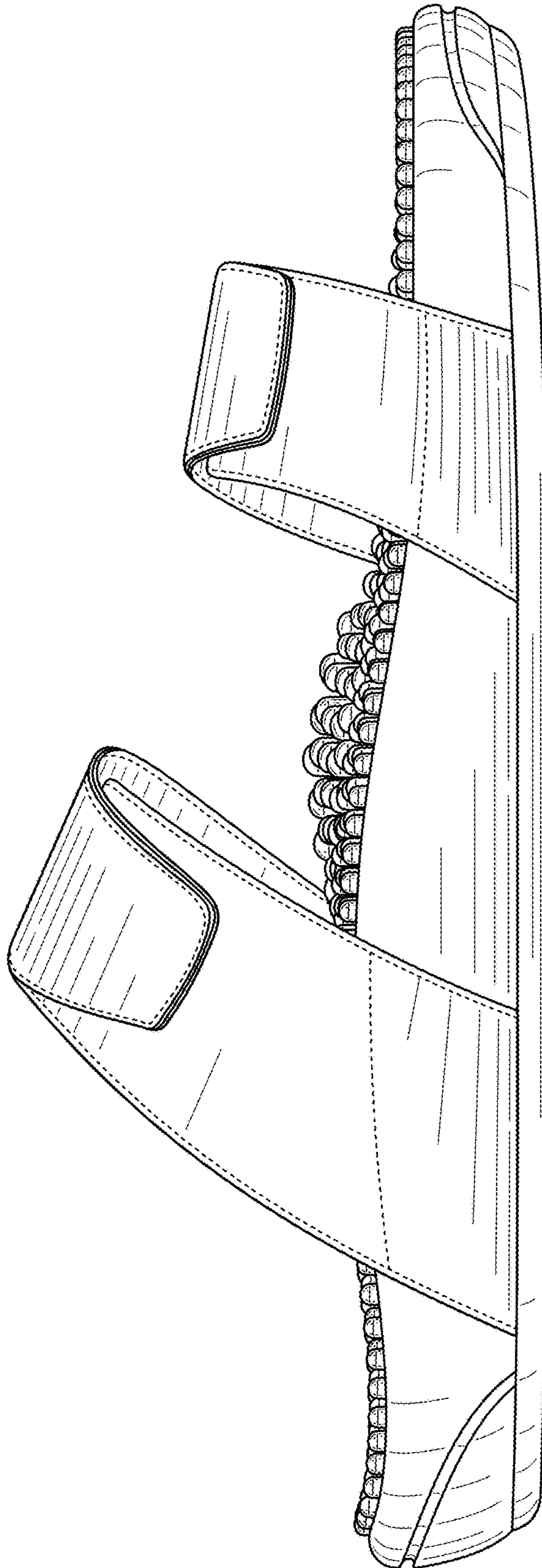


FIG. 5

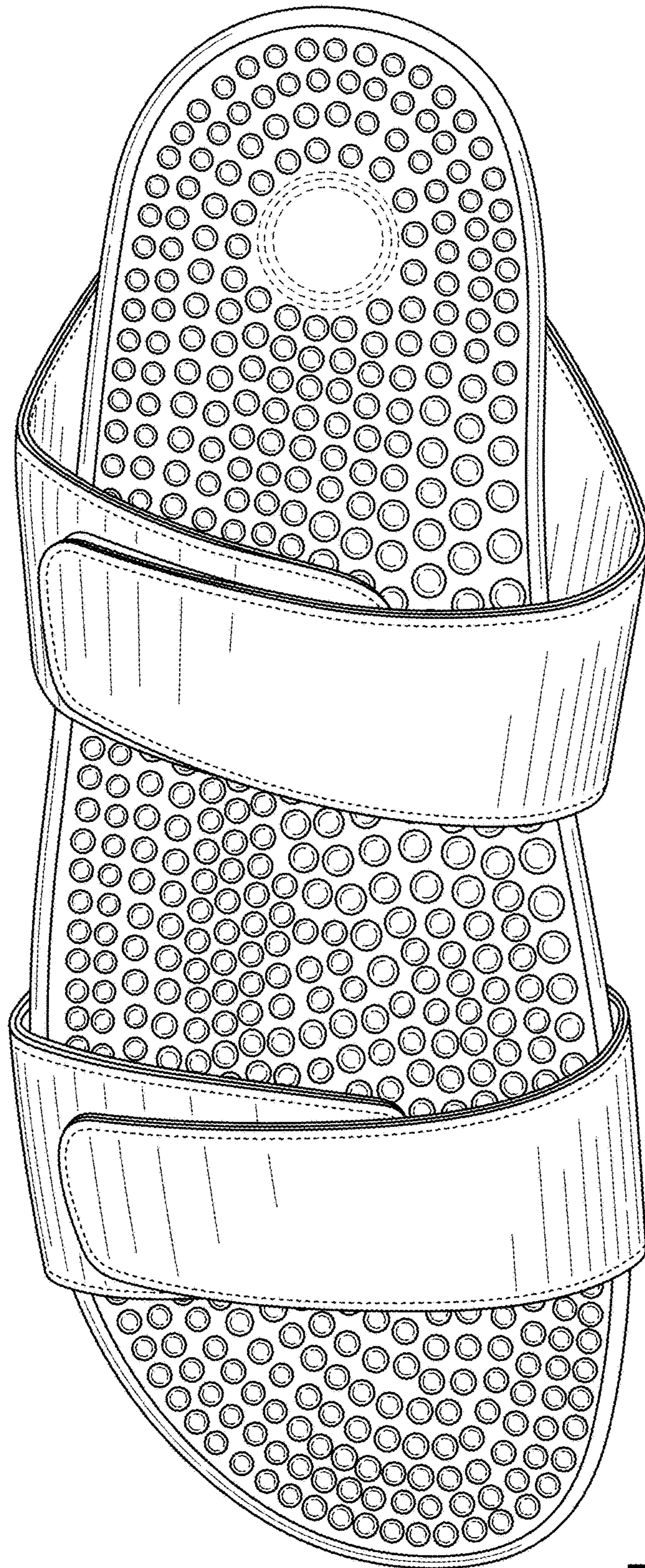


FIG. 6

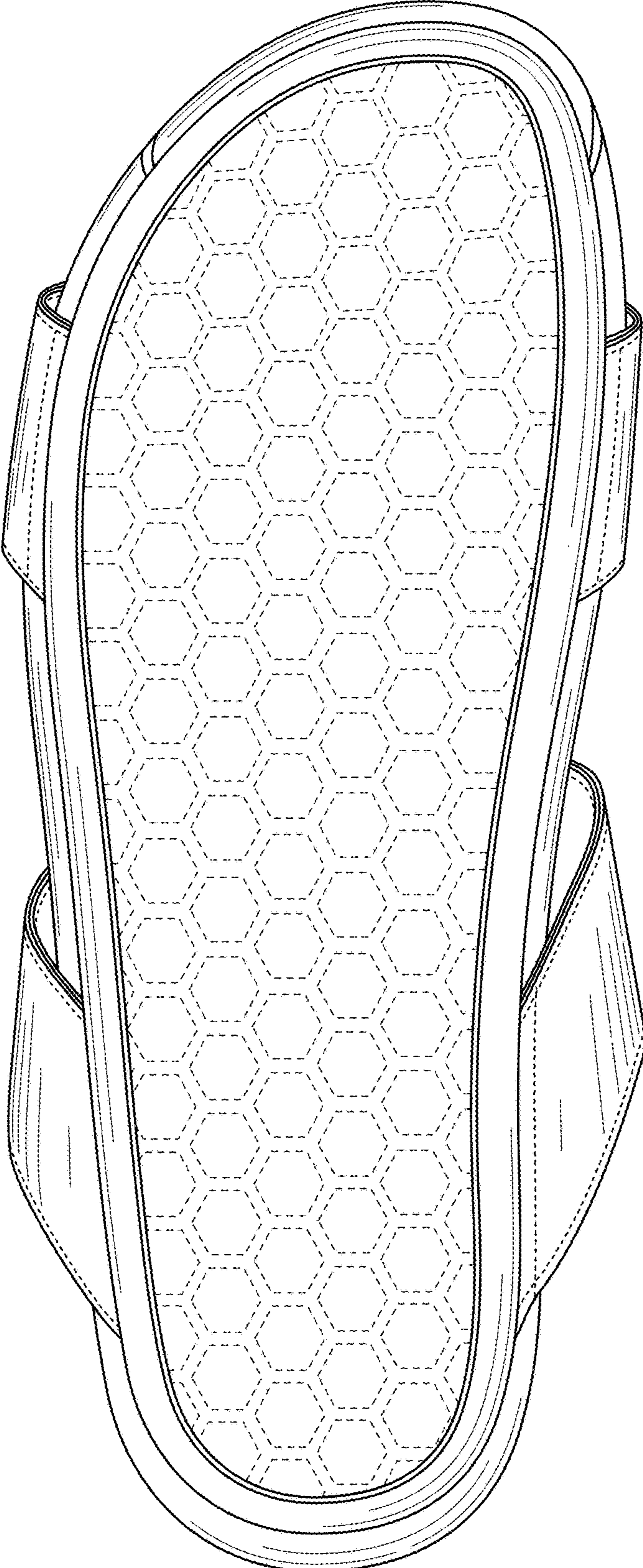


FIG. 7