



US00D819298S

(12) **United States Design Patent** (10) **Patent No.:** **US D819,298 S**  
**Georgieva** (45) **Date of Patent:** **\*\* Jun. 5, 2018**

(54) **BLANKET RETENTION GARMENT**  
(71) Applicant: **Aglika S. Georgieva**, Westborough, MA (US)  
(72) Inventor: **Aglika S. Georgieva**, Westborough, MA (US)  
(\*\*) Term: **15 Years**  
(21) Appl. No.: **29/592,031**  
(22) Filed: **Jan. 26, 2017**  
(51) **LOC (11) Cl.** ..... **02-01**  
(52) **U.S. Cl.**  
USPC ..... **D2/718**  
(58) **Field of Classification Search**  
USPC ..... D2/720, 718, 717, 739, 797, 840, 841, D2/844, 847-850, 719, 728, 750, 749  
CPC ..... A41D 13/12; A41D 13/1209; A41D 13/1236; A41D 13/1245  
See application file for complete search history.

(56) **References Cited**  
U.S. PATENT DOCUMENTS  
2,101,701 A 12/1937 Cohen  
2,355,138 A 8/1944 Bell  
2,908,912 A 10/1959 Darling  
3,872,524 A 3/1975 Hummel  
4,688,282 A 8/1987 Jeffries  
D350,012 S \* 8/1994 Christy ..... D2/720  
D356,204 S \* 3/1995 Derrickson ..... D2/720  
5,416,938 A 5/1995 Li  
5,806,094 A \* 9/1998 Kasun ..... A41H 43/00 2/115  
5,815,837 A \* 10/1998 Christman ..... A41D 19/0041 2/123  
5,913,408 A \* 6/1999 Shanahan ..... A41D 27/10 2/69  
D437,103 S \* 2/2001 Sunde ..... D2/750

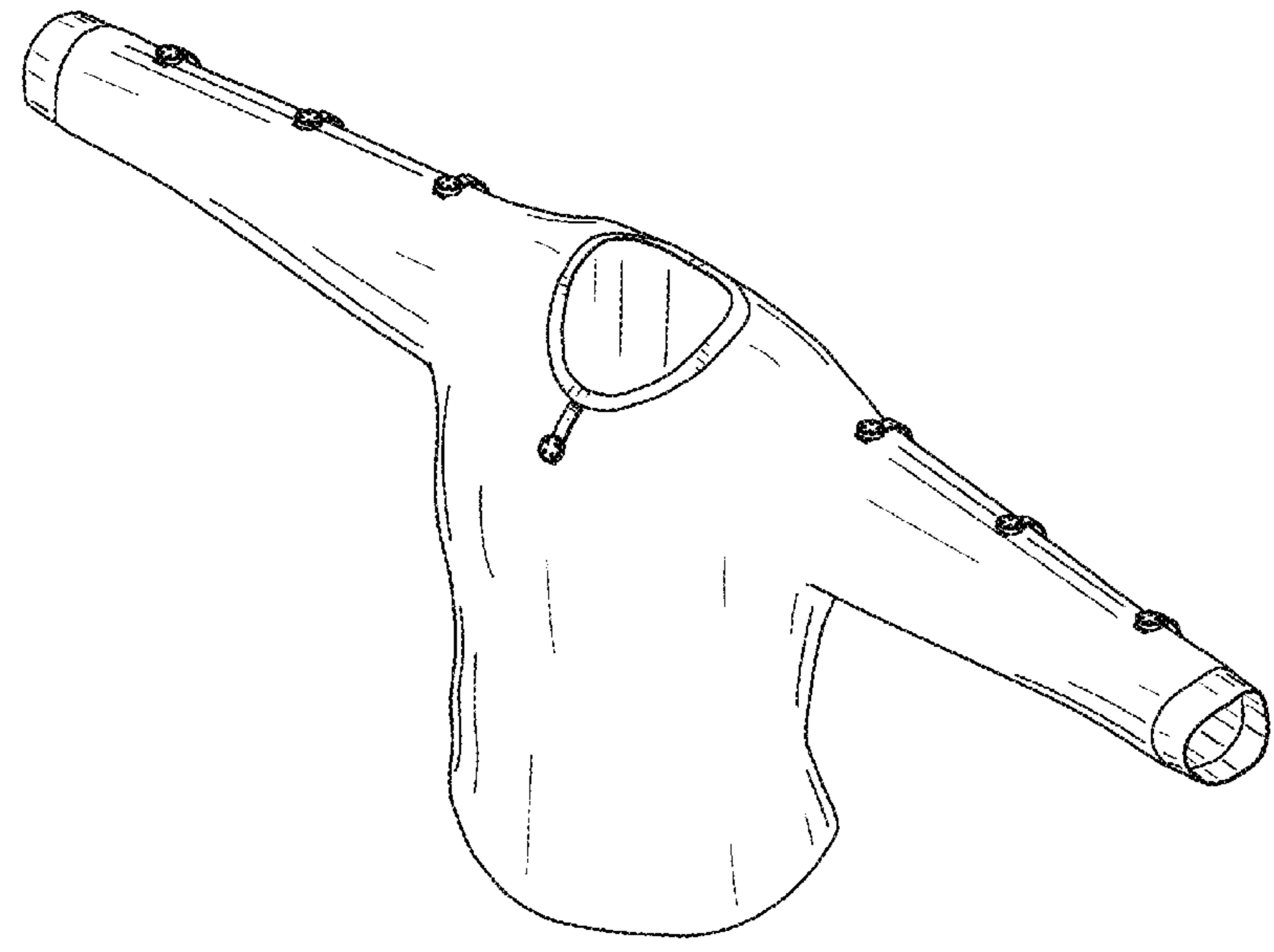
6,235,659 B1 \* 5/2001 McAmish ..... A41D 13/1209 2/114  
6,266,822 B1 7/2001 Joyce  
D469,945 S \* 2/2003 Mayer ..... D2/720  
D509,947 S \* 9/2005 Fortune ..... D2/840  
D526,764 S \* 8/2006 Toomey ..... D2/840  
D622,934 S \* 9/2010 Graneto, III ..... D2/720  
D624,280 S \* 9/2010 Halseth ..... D2/720  
D635,739 S \* 4/2011 Toms ..... D2/720  
D647,688 S \* 11/2011 Hilgart ..... D2/720  
D655,479 S \* 3/2012 Umbach ..... D2/720  
D687,209 S \* 8/2013 Levine ..... D2/720  
D721,870 S \* 2/2015 Levine ..... D2/720  
D752,319 S \* 3/2016 Torre ..... D2/750  
2005/0210583 A1 9/2005 Cook  
2008/0178365 A1 \* 7/2008 Furgerson ..... A41D 1/04 2/85

\* cited by examiner  
*Primary Examiner* — George D. Kirschbaum  
*Assistant Examiner* — Clese Moore, Jr.  
(74) *Attorney, Agent, or Firm* — Aaron R. Cramer; Cramer Patent & Design, PLLC

(57) **CLAIM**  
The ornamental design for a blanket retention garment, as shown and described.

**DESCRIPTION**  
FIG. 1 is a perspective top front view of a blanket retention garment, showing my new design;  
FIG. 2 is a perspective top rear view thereof;  
FIG. 3 is a front elevation view thereof;  
FIG. 4 is a rear elevation view thereof;  
FIG. 5 is a right-side elevation view thereof;  
FIG. 6 is a left-side elevation view thereof;  
FIG. 7 is a top side plan view thereof; and,  
FIG. 8 is a bottom side plan view thereof.

**1 Claim, 8 Drawing Sheets**



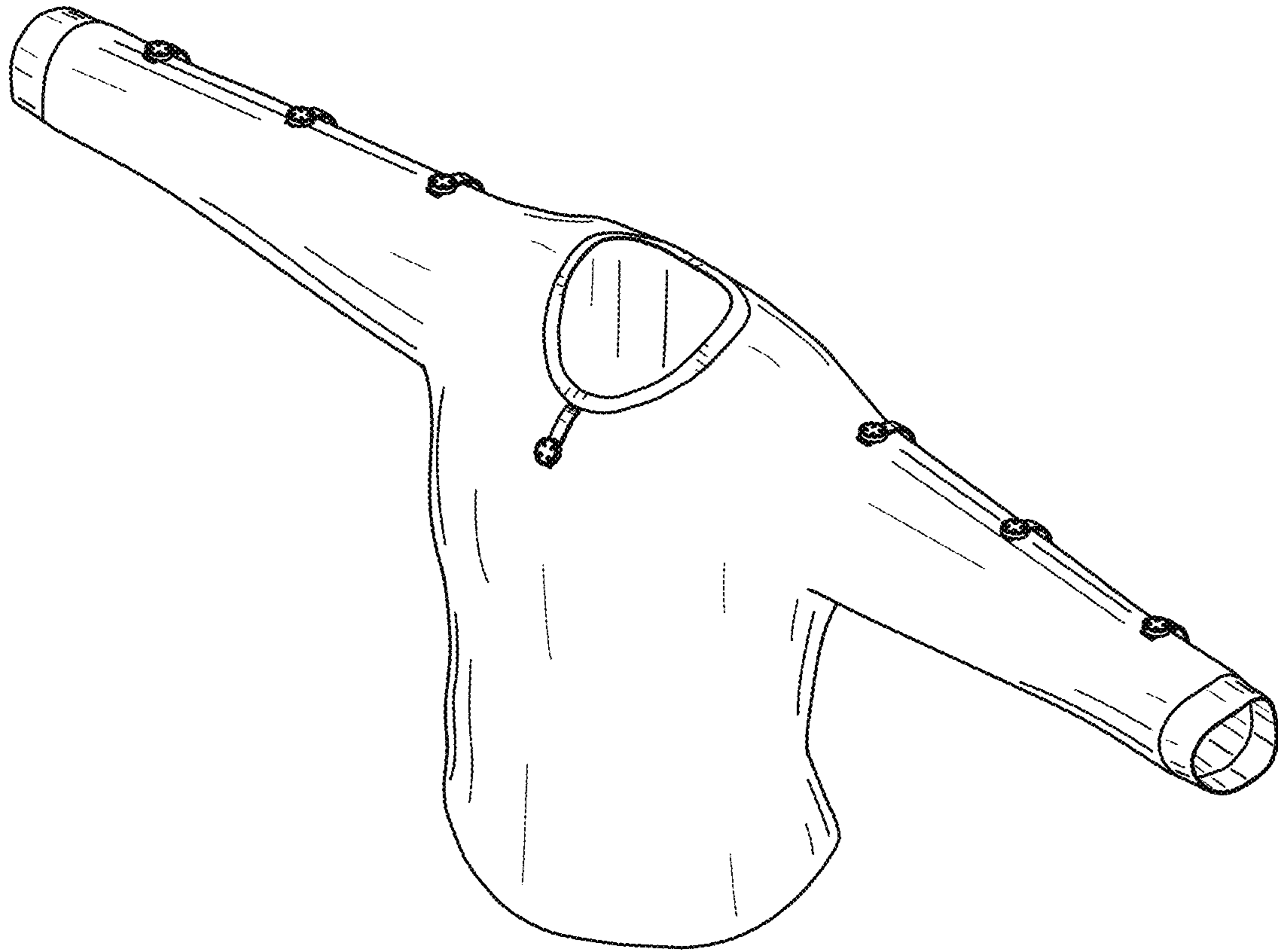


FIG. 1

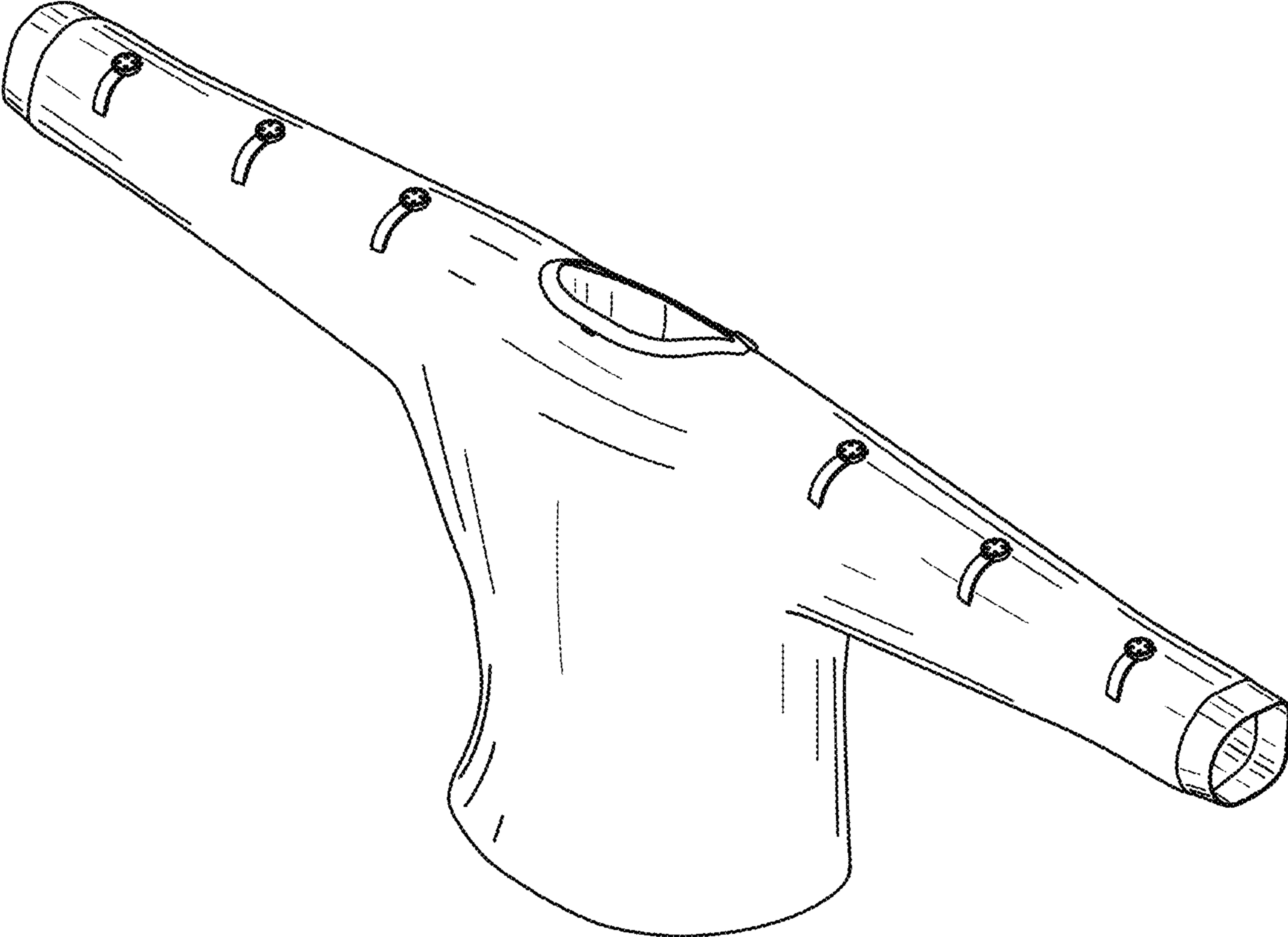


FIG. 2

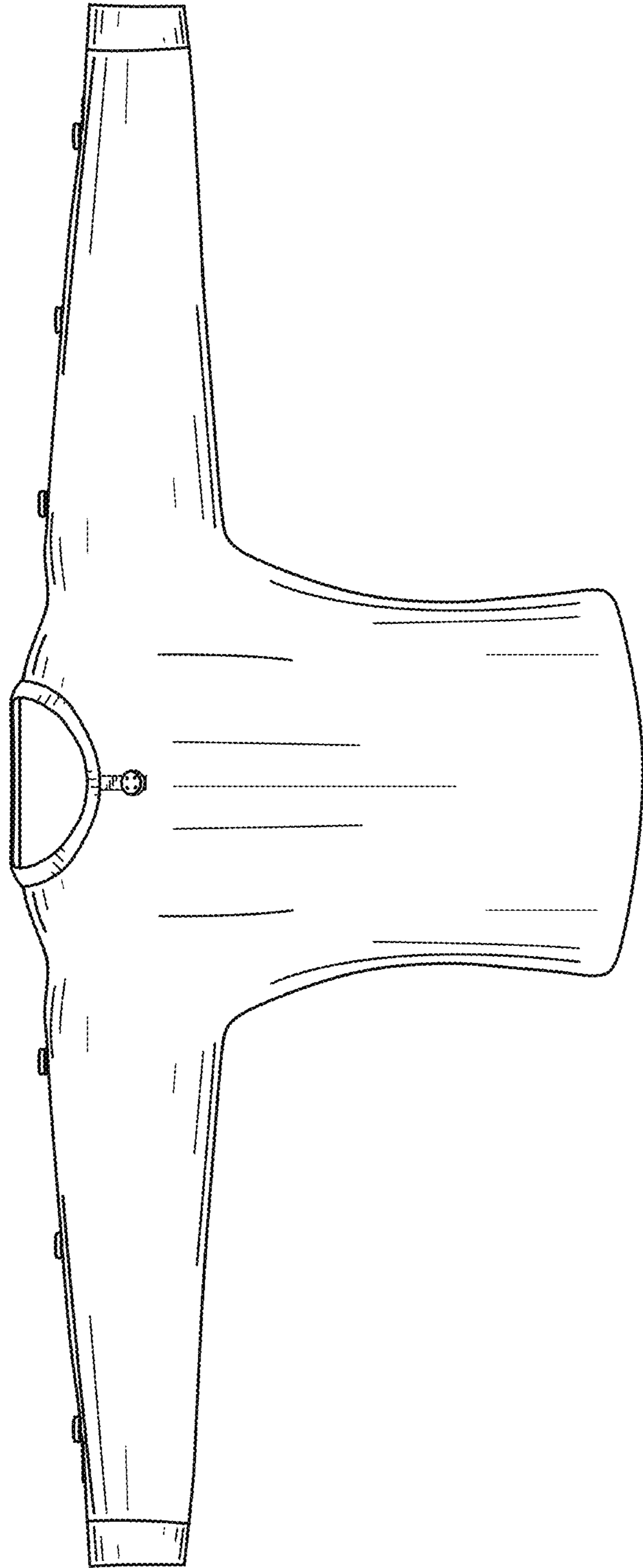


FIG. 3

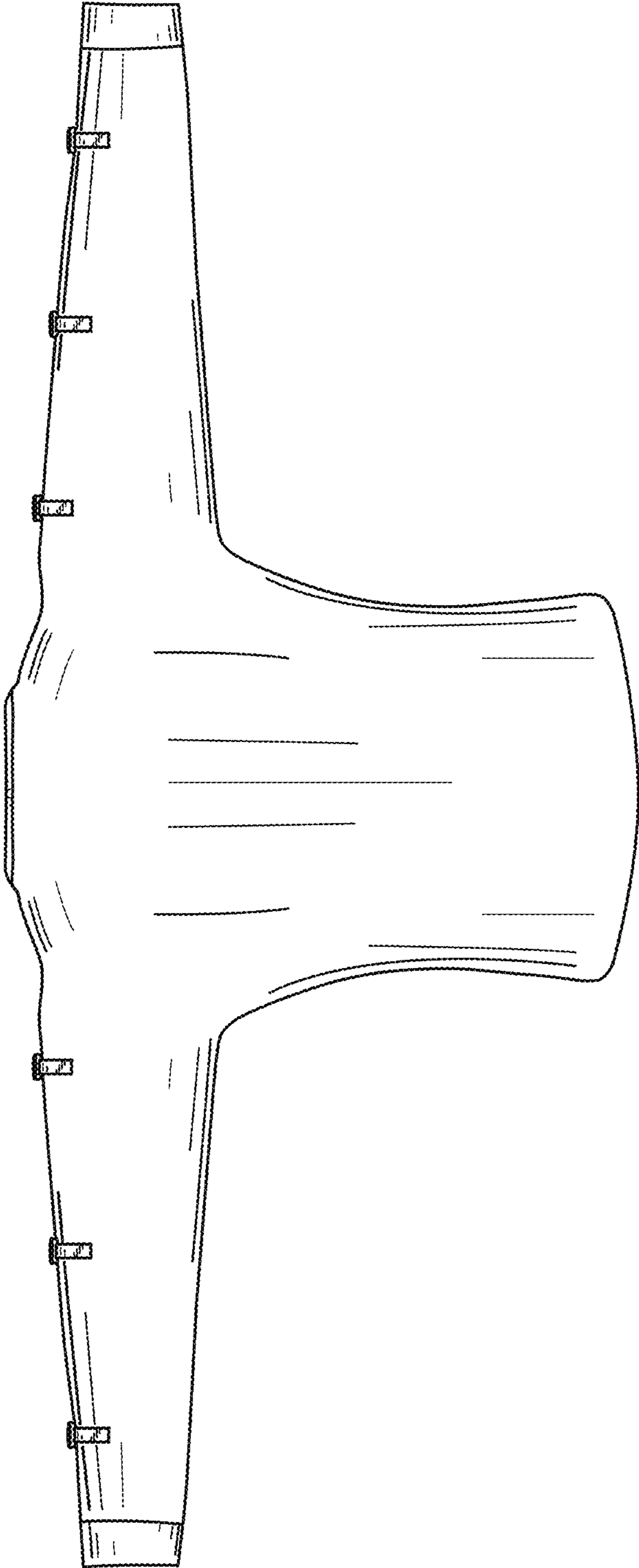


FIG. 4

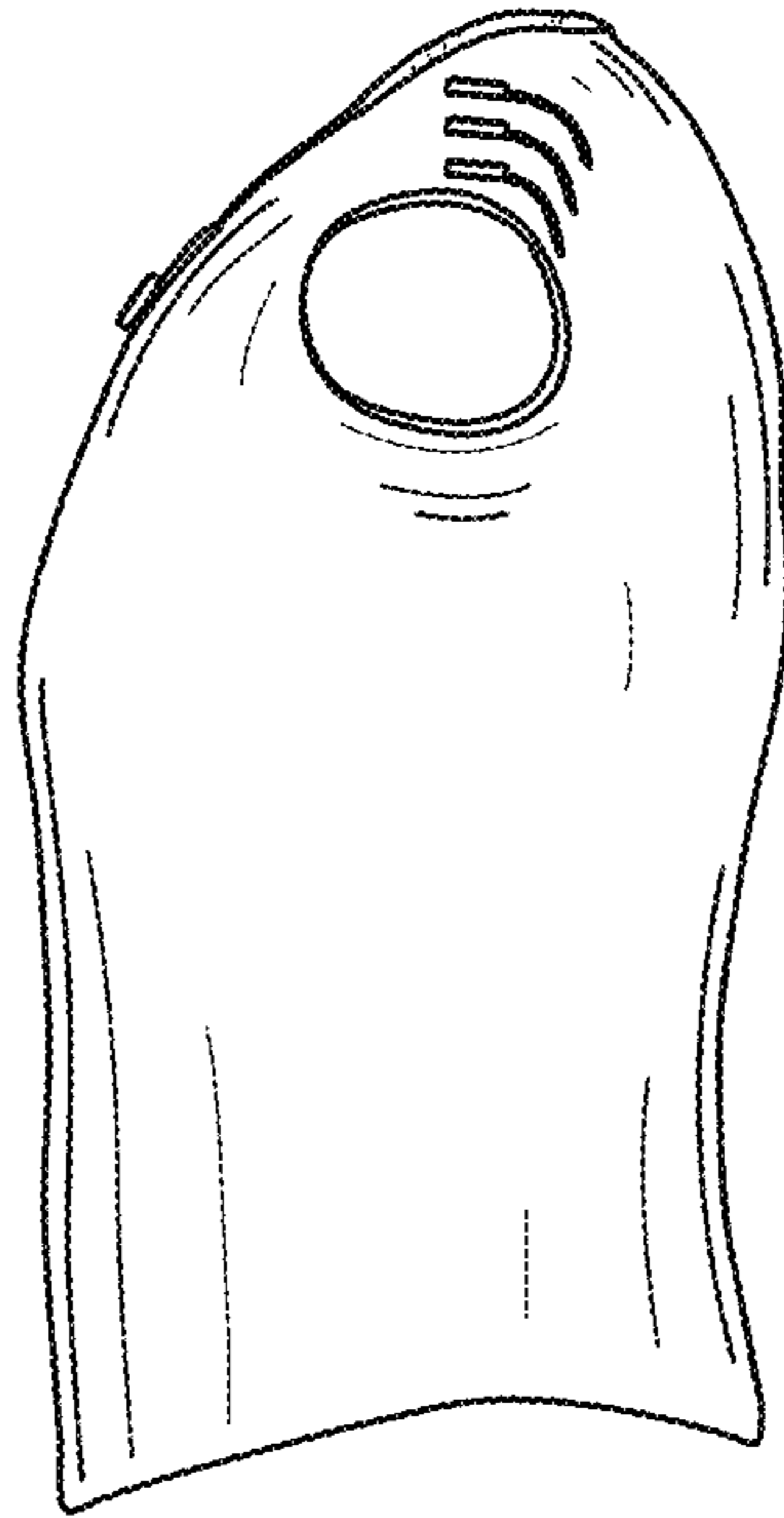


FIG. 5

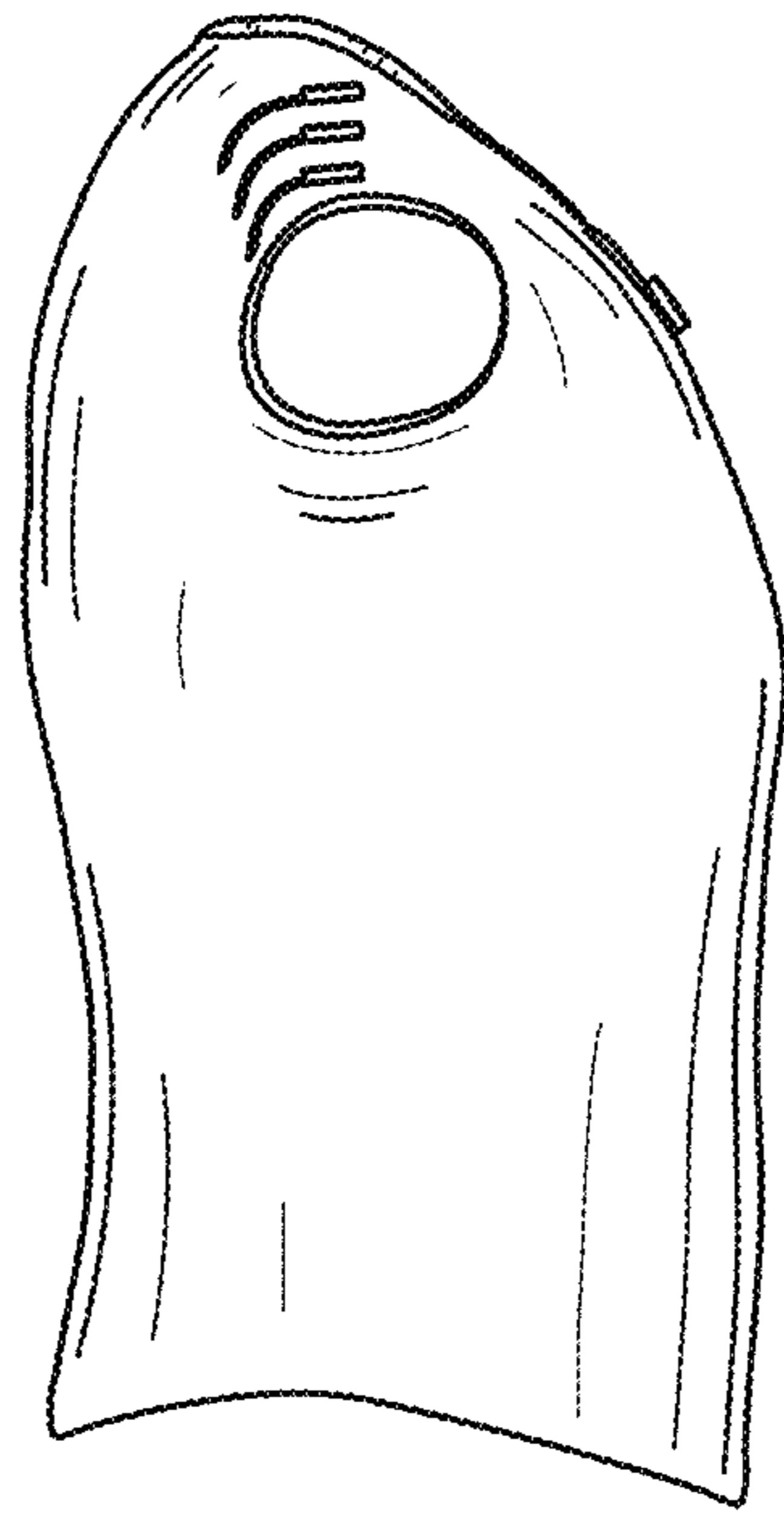


FIG. 6

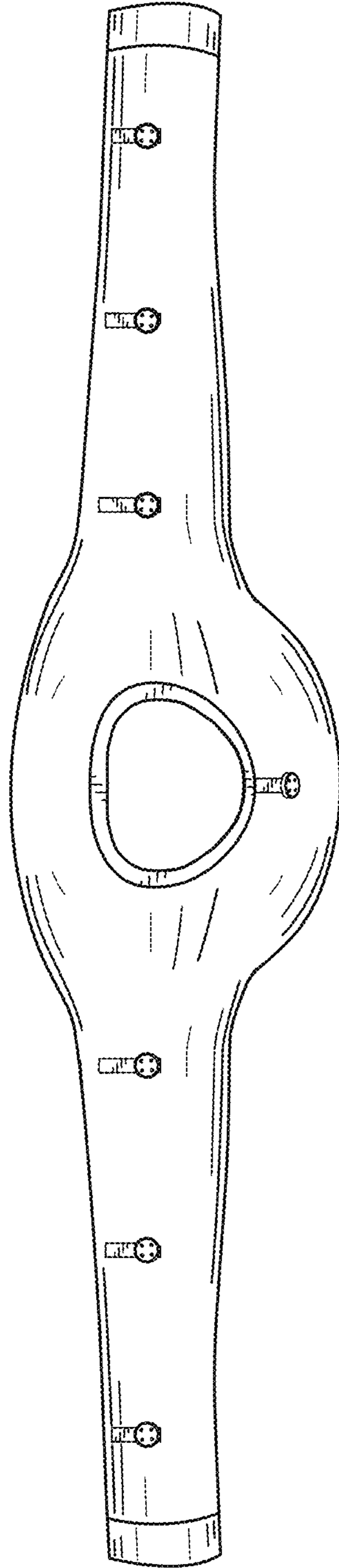


FIG. 7



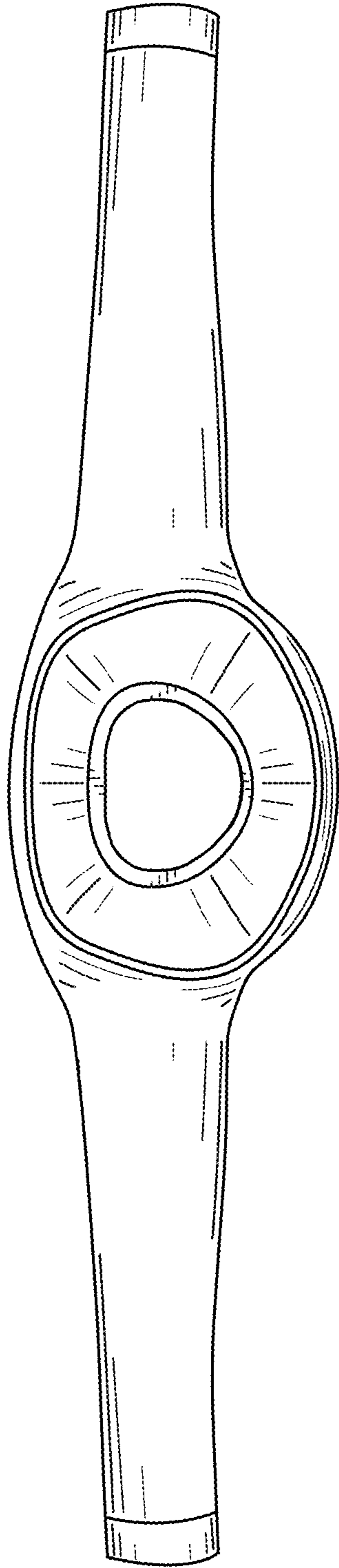


FIG. 8