



US00D819296S

(12) **United States Design Patent** (10) **Patent No.:** **US D819,296 S**
Incle (45) **Date of Patent:** **** Jun. 5, 2018**

- (54) **BRA STRAP EXTENSION**
- (71) Applicant: **Gloria Incle**, Tampa, FL (US)
- (72) Inventor: **Gloria Incle**, Tampa, FL (US)
- (**) Term: **15 Years**
- (21) Appl. No.: **29/605,841**
- (22) Filed: **May 31, 2017**
- (51) **LOC (11) Cl.** **02-01**
- (52) **U.S. Cl.**
USPC **D2/706; D11/208**
- (58) **Field of Classification Search**
USPC D2/706; D8/349; D11/208; 2/321;
112/407
CPC A41B 37/02; A44B 13/00; A41F 1/00;
D05B 3/18
See application file for complete search history.

- 6,123,601 A 9/2000 Hildenbrandt
- D525,168 S 7/2006 Pontaoe
- D530,648 S 10/2006 Utaka
- 8,408,964 B1 4/2013 Acker
- 2006/0094334 A1 5/2006 Davis
- 2007/0123148 A1 5/2007 Heer

FOREIGN PATENT DOCUMENTS

WO 2006049861 A2 5/2006

Primary Examiner — Robin V Webster
Assistant Examiner — James C Thorn, Sr.

(57) **CLAIM**

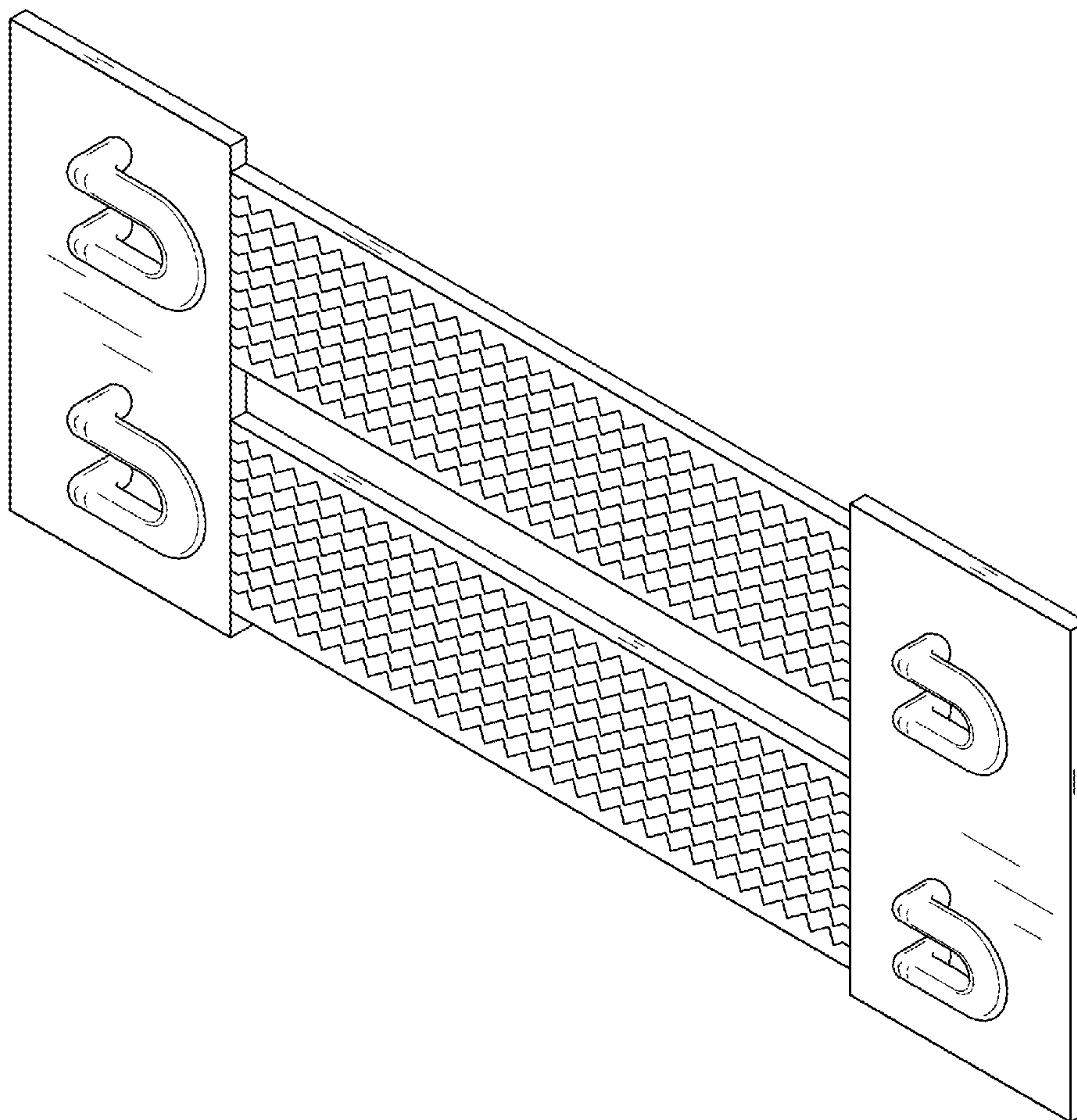
I claim the ornamental design for a bra strap extension, as shown and described.

DESCRIPTION

FIG. 1 is a front view of the bra strap extension.
FIG. 2 is a back view of the claimed design.
FIG. 3 is a right side view of the claimed design.
FIG. 4 is a left side view of the claimed design.
FIG. 5 is a top view of the claimed design; and,
FIG. 6 is a perspective view of the claimed design.

- (56) **References Cited**
U.S. PATENT DOCUMENTS
2,602,929 A 7/1952 Chasinov
3,191,603 A 6/1965 Marino

1 Claim, 4 Drawing Sheets



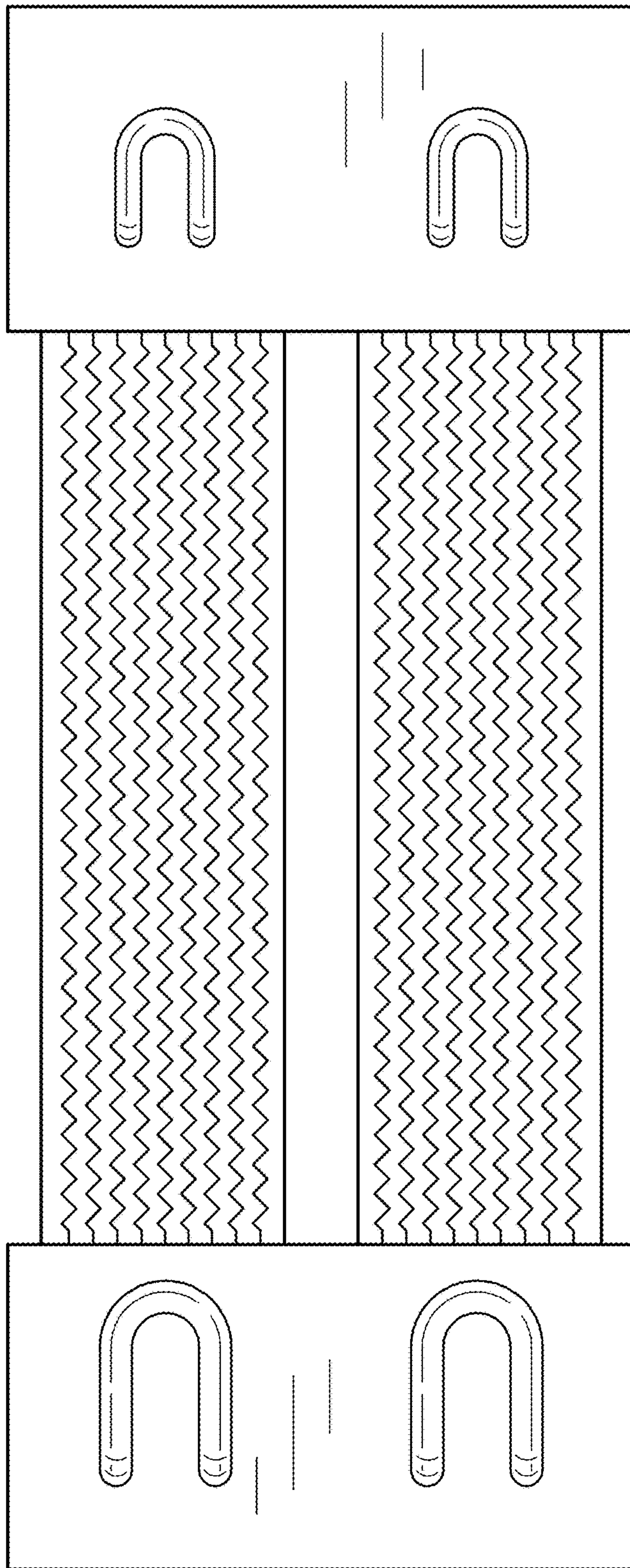


FIG. 1

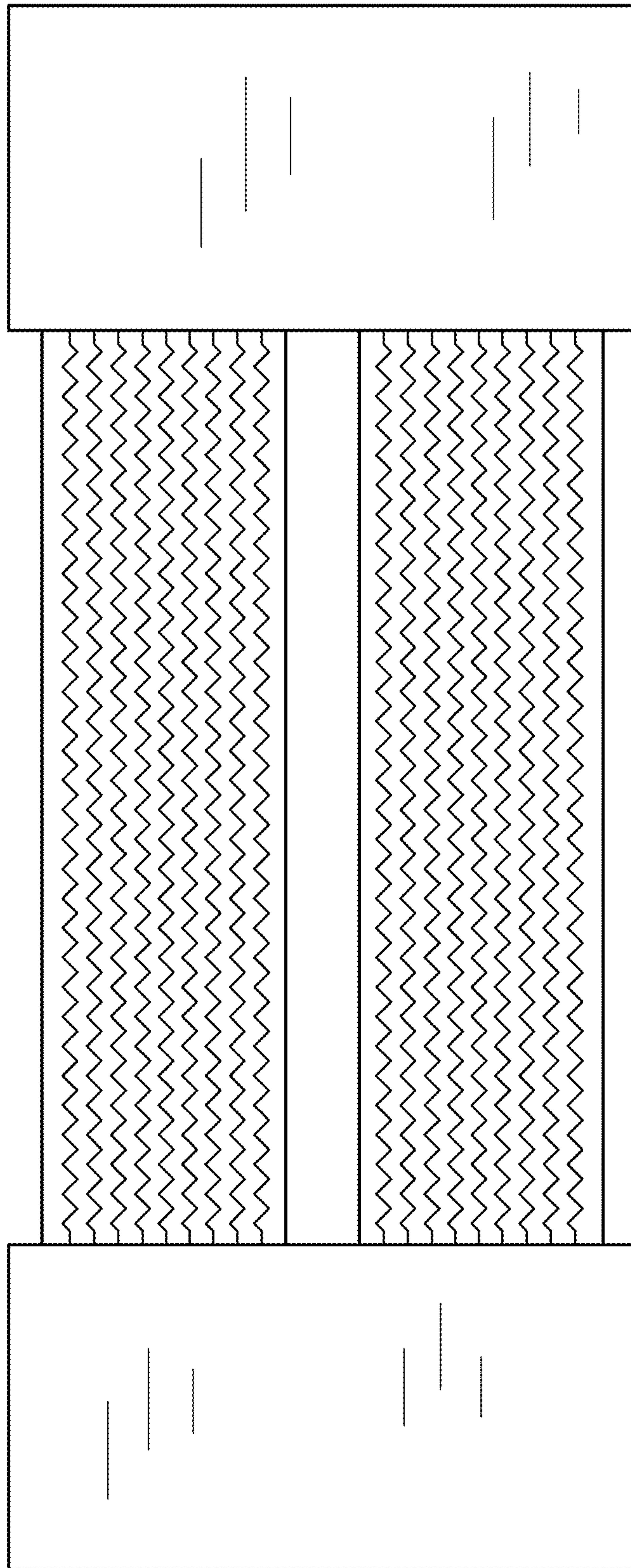


FIG. 2

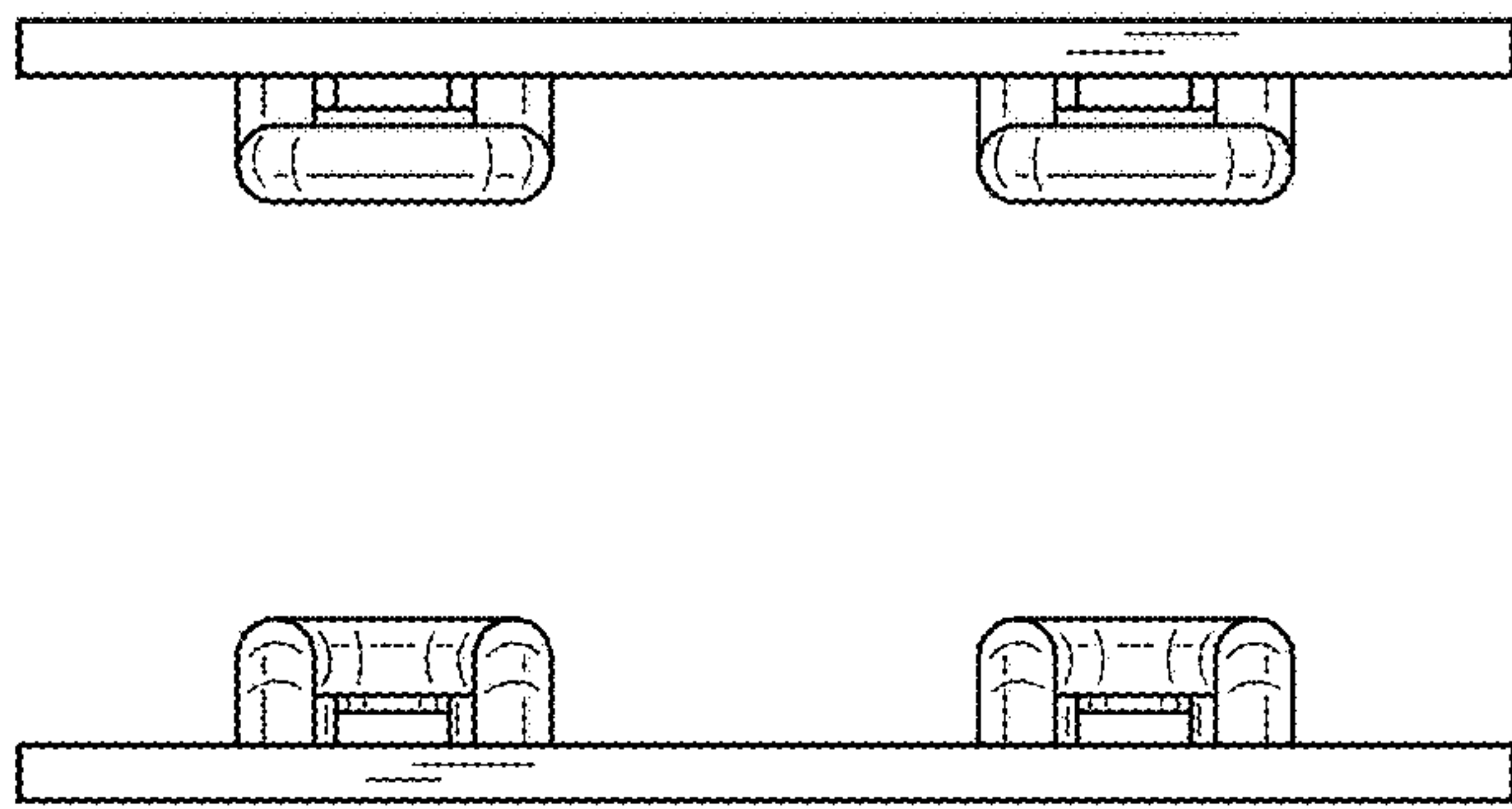


FIG. 3 FIG. 4

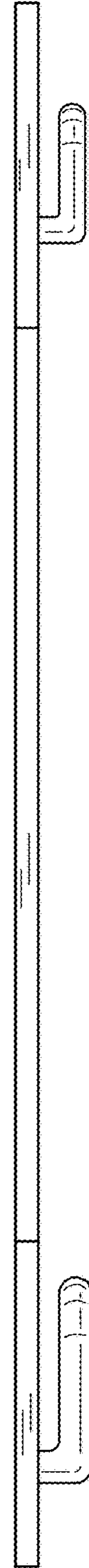


FIG. 5

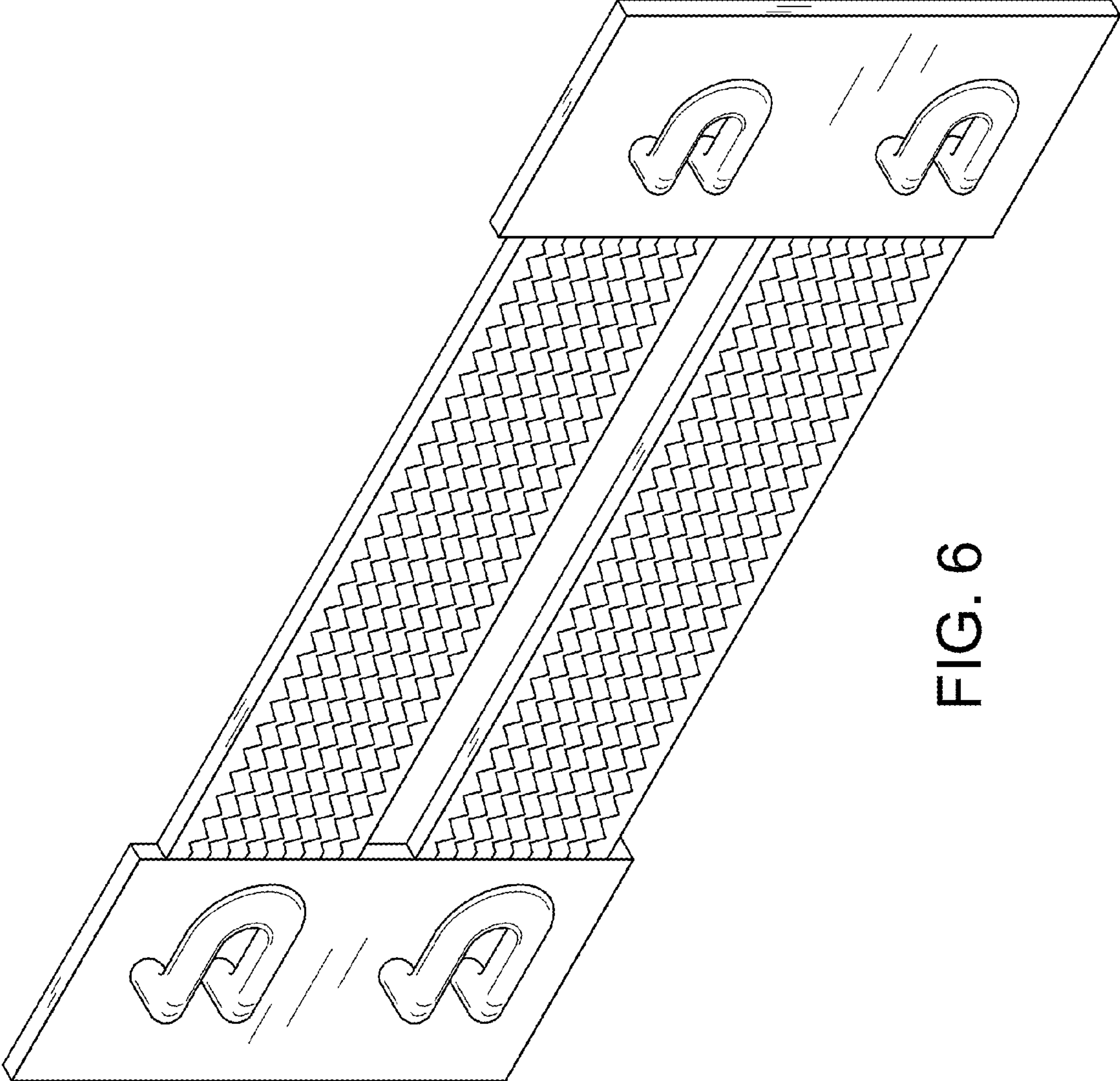


FIG. 6