



US00D819294S

(12) **United States Design Patent** (10) **Patent No.:** **US D819,294 S**  
**Frazier et al.** (45) **Date of Patent:** **\*\* May 29, 2018**

(54) **WINCH REMOTE CONTROL**  
 (71) Applicant: **Superwinch, LLC**, Dayville, CT (US)  
 (72) Inventors: **Tim Frazier**, Beaverton, OR (US); **Ron Dennis**, Woodburn, OR (US); **Brent Nasset**, Salem, OR (US)  
 (73) Assignee: **Superwinch, LLC**, Dayville, CT (US)  
 (\*\*) Term: **15 Years**

(21) Appl. No.: **29/563,921**

(22) Filed: **May 9, 2016**

(51) **LOC (11) Cl.** ..... **12-05**

(52) **U.S. Cl.**  
USPC ..... **D34/35**

(58) **Field of Classification Search**  
 USPC ..... D34/35, 33, 28; 254/362, 356, 372, 380,  
 254/901, 382, 374, 316, 342; D13/168;  
 D14/218; 340/12.22  
 CPC .. B66D 1/12; B66D 1/04; B66D 1/505; B63B  
 2708/00; B63B 35/815  
 See application file for complete search history.

(56) **References Cited**

U.S. PATENT DOCUMENTS

4,004,780	A	1/1977	Kuzarov
4,475,163	A	10/1984	Chandler et al.
5,995,347	A	11/1999	Rudd et al.
D489,157	S	4/2004	Lawson
6,864,650	B2	3/2005	Heravi et al.
D513,650	S	1/2006	Elliott
7,063,306	B2	6/2006	Sanders et al.
D532,577	S	11/2006	Elliott et al.
7,201,366	B2	4/2007	Sanders et al.
D550,923	S	9/2007	Huang
D555,874	S	11/2007	Elliott et al.
7,511,443	B2	3/2009	Townsend et al.
7,891,641	B1	2/2011	Miller
8,055,403	B2	11/2011	Lowrey et al.

8,076,885	B2	12/2011	Heravi et al.	
D670,660	S *	11/2012	Cook	D13/168
D685,750	S *	7/2013	Nakagawa	D13/168
D703,414	S	4/2014	Fretz et al.	
D728,187	S *	4/2015	Zeppetzaer	D34/35
9,014,913	B2	4/2015	Heravi et al.	
D737,539	S *	8/2015	Zeppetzaer	D34/35
D741,038	S	10/2015	Huang	
D766,843	S *	9/2016	Fretz	D13/168
D784,934	S *	4/2017	Fretz	D13/168
D793,995	S *	8/2017	Nakagawa	D14/218
2002/0156574	A1	10/2002	Fortin	
2008/0166430	A1	7/2008	Doyle et al.	

(Continued)

OTHER PUBLICATIONS

U.S. Appl. No. 14/735,674, filed Jun. 10, 2015, Mason.  
(Continued)

*Primary Examiner* — Cynthia Ramirez  
*Assistant Examiner* — Michael Maharajh  
 (74) *Attorney, Agent, or Firm* — Perkins Coie LLP

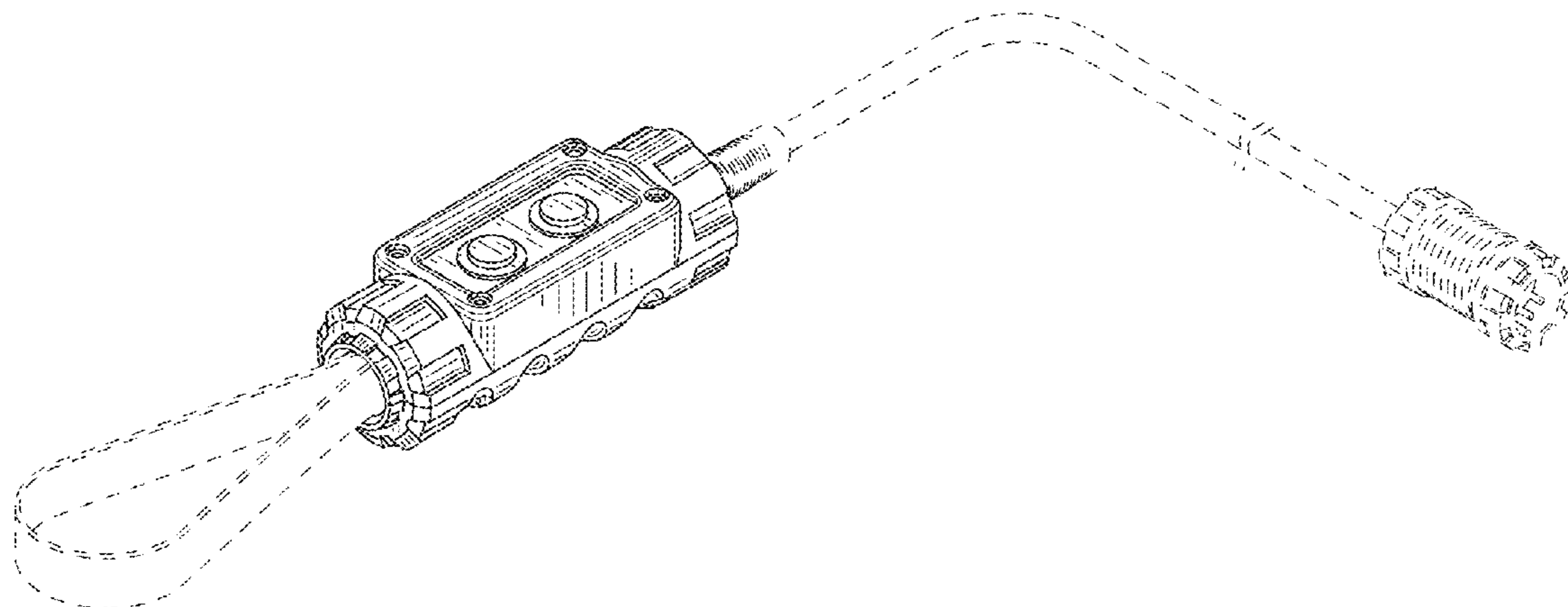
(57) **CLAIM**

The ornamental design for a winch remote control, as shown and described.

**DESCRIPTION**

FIG. 1 is a perspective view of a winch remote control showing our new design.  
 FIG. 2 is a frontal elevational view thereof.  
 FIG. 3 is a back elevational view thereof.  
 FIG. 4 is a right side elevational view thereof.  
 FIG. 5 is a left side elevational view thereof.  
 FIG. 6 is a top plan view thereof; and,  
 FIG. 7 is a bottom plan view thereof.  
 The dashed lines in the figures are for the purpose of illustrating portions of the winch remote control and form no part of the claimed design.

**1 Claim, 6 Drawing Sheets**



(56)

**References Cited**

U.S. PATENT DOCUMENTS

2009/0284877 A1 11/2009 Heravi et al.  
2010/0319910 A1 12/2010 Ives et al.  
2011/0065546 A1 3/2011 Xie et al.  
2013/0154821 A1 6/2013 Miller et al.  
2013/0304278 A1 11/2013 Chen  
2014/0001427 A1 1/2014 Fretz et al.  
2015/0191334 A1 7/2015 Heravi et al.  
2017/0062148 A1\* 3/2017 Legel ..... E01H 5/061

OTHER PUBLICATIONS

U.S. Appl. No. 15/590,850, filed May 9, 2017, Frazier.  
U.S. Appl. No. 15/640,091, filed Jun. 30, 2017, Dennis.  
U.S. Appl. No. 29/563,917, filed May 9, 2016, Frazier et al.  
U.S. Appl. No. 29/579,766, filed Oct. 3, 2016, August.  
“Automotive Winch Intruction Manual,” Comeup Industries Inc.,  
[http://www.comeup.com/Archive/\\_eng/all\\_pdf\\_eng/  
Comeup\\_Automotive\\_Winch\\_Instruction\\_Manual-eng.pdf](http://www.comeup.com/Archive/_eng/all_pdf_eng/Comeup_Automotive_Winch_Instruction_Manual-eng.pdf), Aug. 1,  
2013, 22 pages.  
“The Comeup Cone Brake Structure,” COMEUP USA, [http://  
comeupusa.com/2017/04/the-comeup-cone-brake-structure/](http://comeupusa.com/2017/04/the-comeup-cone-brake-structure/), Apr.  
28, 2017, 2 pages.  
Superwinch, “Superwinch SI Industrial Winches,” YouTube, [https://  
www.youtube.com/watch?v=bMiDddvCZgs](https://www.youtube.com/watch?v=bMiDddvCZgs)>, accessed Nov. 21,  
2016, 1 page.

\* cited by examiner

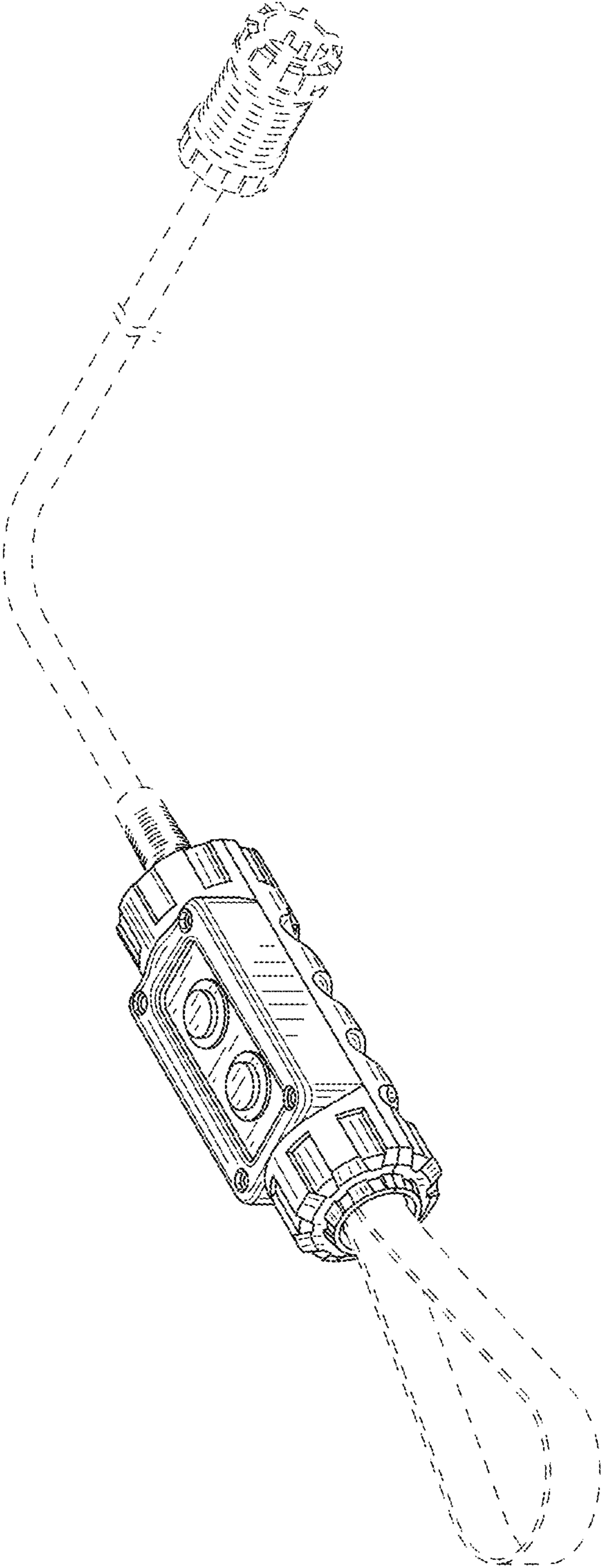


FIG. 1

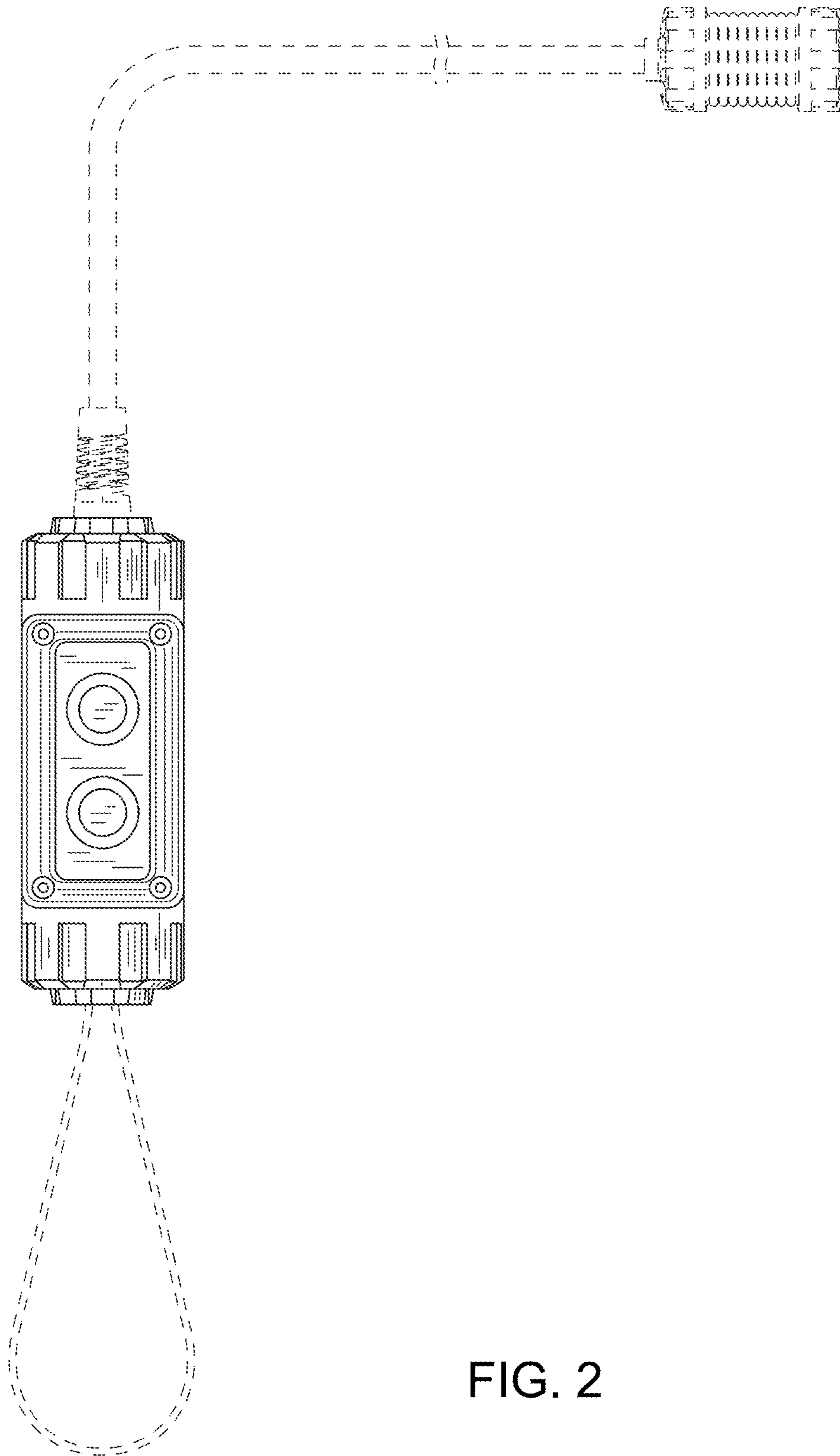


FIG. 2

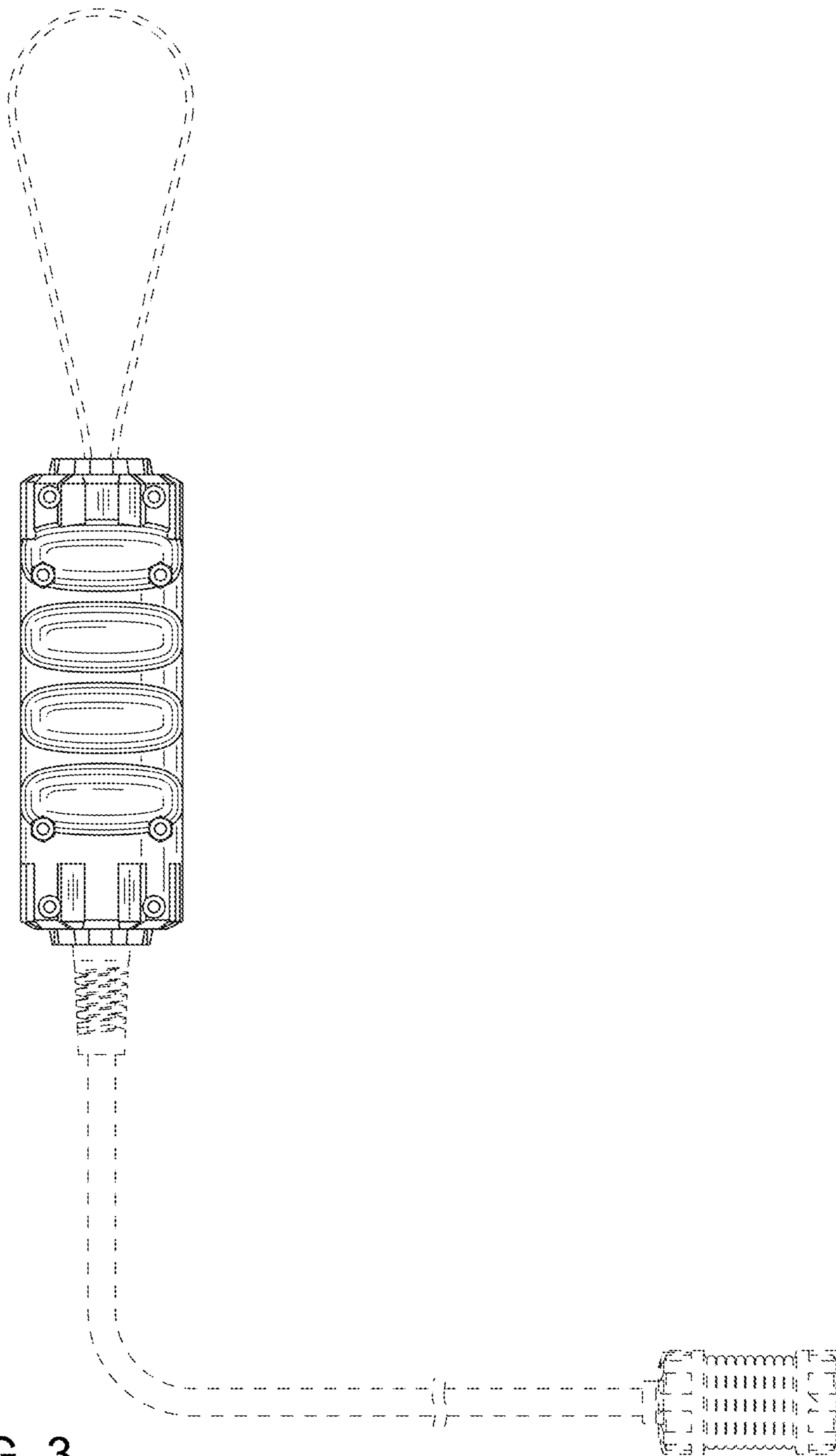


FIG. 3



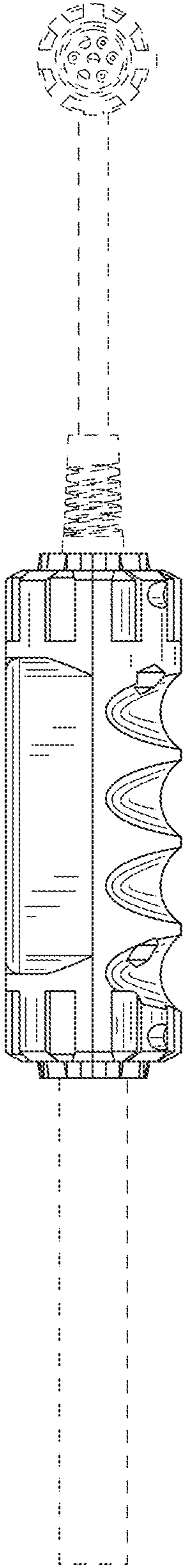


FIG. 4

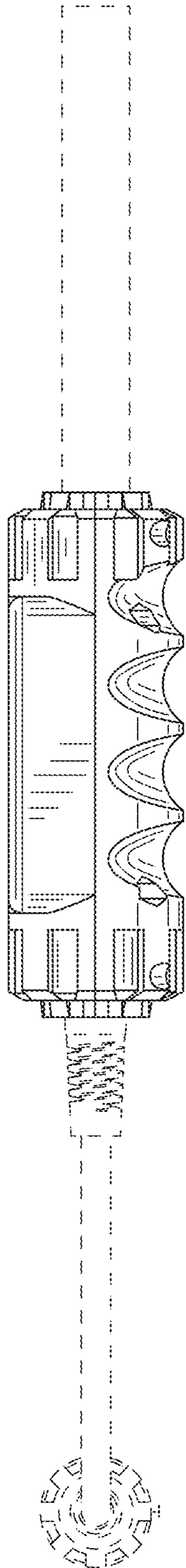


FIG. 5

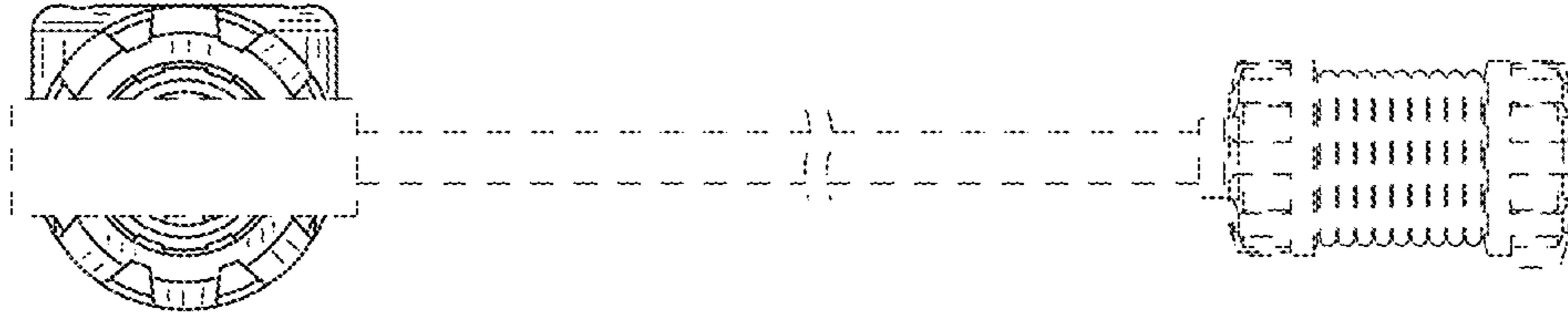


FIG. 6

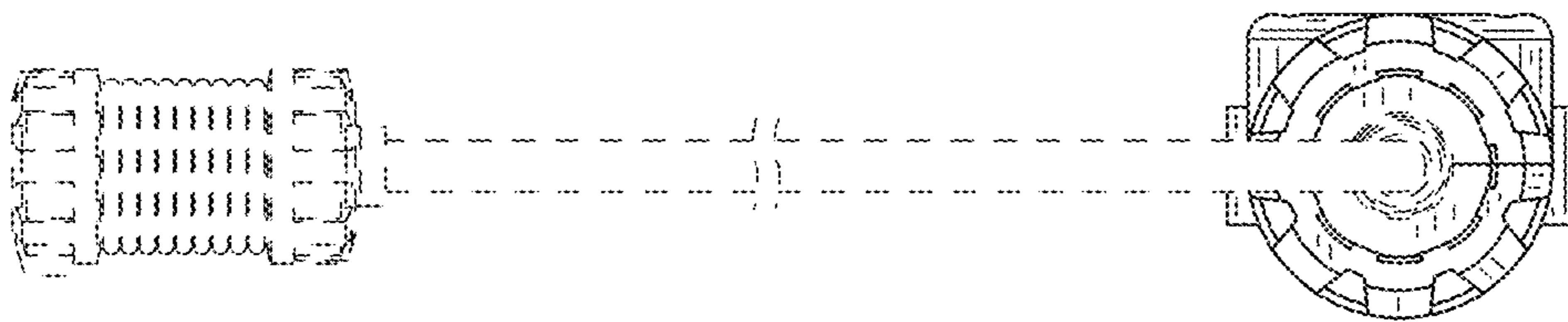


FIG. 7