



US00D819293S

(12) **United States Design Patent**
Qichen et al.

(10) **Patent No.:** **US D819,293 S**
(45) **Date of Patent:** **** May 29, 2018**

- (54) **PALLET TRUCK**
- (71) Applicant: **Big Lift, LLC**, Lombard, IL (US)
- (72) Inventors: **Ma Qichen**, Hangzhou (CN); **Xu Hongpeng**, Hangzhou (CN); **Liu Shunli**, Hangzhou (CN); **Lin Zuqian**, Hangzhou (CN); **Xu Minghui**, Hangzhou (CN)
- (73) Assignee: **BIG LIFT, LLC**, Lombard, IL (US)
- (**) Term: **15 Years**
- (21) Appl. No.: **29/606,793**
- (22) Filed: **Jun. 7, 2017**

D754,415 S *	4/2016	Liu	D34/34
D765,939 S *	9/2016	Liu	D34/34
D767,236 S *	9/2016	Meng	D34/35
D767,847 S *	9/2016	Liu	D34/34
D770,719 S *	11/2016	He	D34/34
D770,720 S *	11/2016	He	D34/34

Related U.S. Application Data

- (62) Division of application No. 29/565,791, filed on May 24, 2016, now Pat. No. Des. 802,243.
- (51) **LOC (11) Cl.** **12-05**
- (52) **U.S. Cl.**
USPC **D34/34**
- (58) **Field of Classification Search**
USPC 180/299, 315, 325, 89.12; 187/222, 224, 187/231, 237, 238, 414; 280/43.12, 638, 280/87.041; 414/2, 7, 572, 592, 631, 414/664, 679, 685, 668; D34/12, 16, 17, D34/21, 23, 24, 25, 28, 34, 35, 38; 254/2 R
CPC ... B62B 3/0612; B62B 3/0618; B62B 5/0069; B62B 2203/20; B62B 5/0438; B66F 9/12; B66F 9/22; B66F 9/085; B66F 9/186
See application file for complete search history.

(56) **References Cited**

U.S. PATENT DOCUMENTS

D692,203 S *	10/2013	Feiquan	D34/34
D692,204 S *	10/2013	Feiquan	D34/34

OTHER PUBLICATIONS

Bigjoeforklifts "E25 eJack", http://www.bigjoeforklifts.com/pallet_trucks_e25.html. Sep. 11, 2017. shown in p. 1, Item # E25.*

* cited by examiner

Primary Examiner — Cynthia Ramirez

Assistant Examiner — Michael A Maharajh

(74) *Attorney, Agent, or Firm* — Cook Alex Ltd.

(57) **CLAIM**

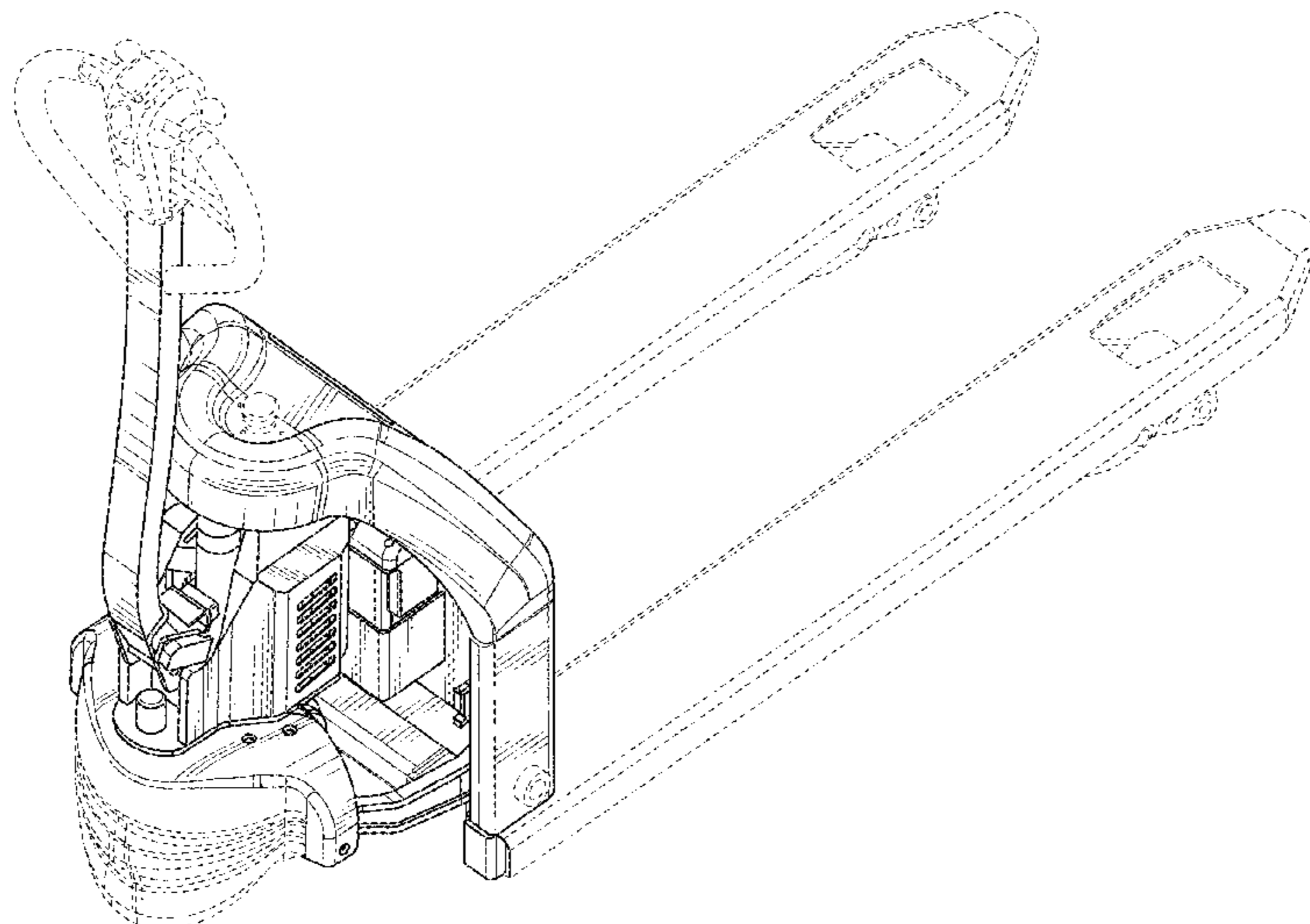
We claim the ornamental design for a pallet truck, as shown and described.

DESCRIPTION

FIG. 1 is a rear right perspective view of a pallet truck showing our new design;
 FIG. 2 is a front right perspective view thereof;
 FIG. 3 is a front left perspective view thereof;
 FIG. 4 is a rear left perspective view thereof;
 FIG. 5 is a rear elevational view thereof;
 FIG. 6 is a right side elevational view thereof;
 FIG. 7 is a front elevational view thereof;
 FIG. 8 is a left side elevational view thereof;
 FIG. 9 is a top plan view thereof; and,
 FIG. 10 is a bottom plan view thereof.

The broken lines in the drawings are included for the purpose of illustrating portions of the pallet truck and form no part of the claimed design.

1 Claim, 10 Drawing Sheets



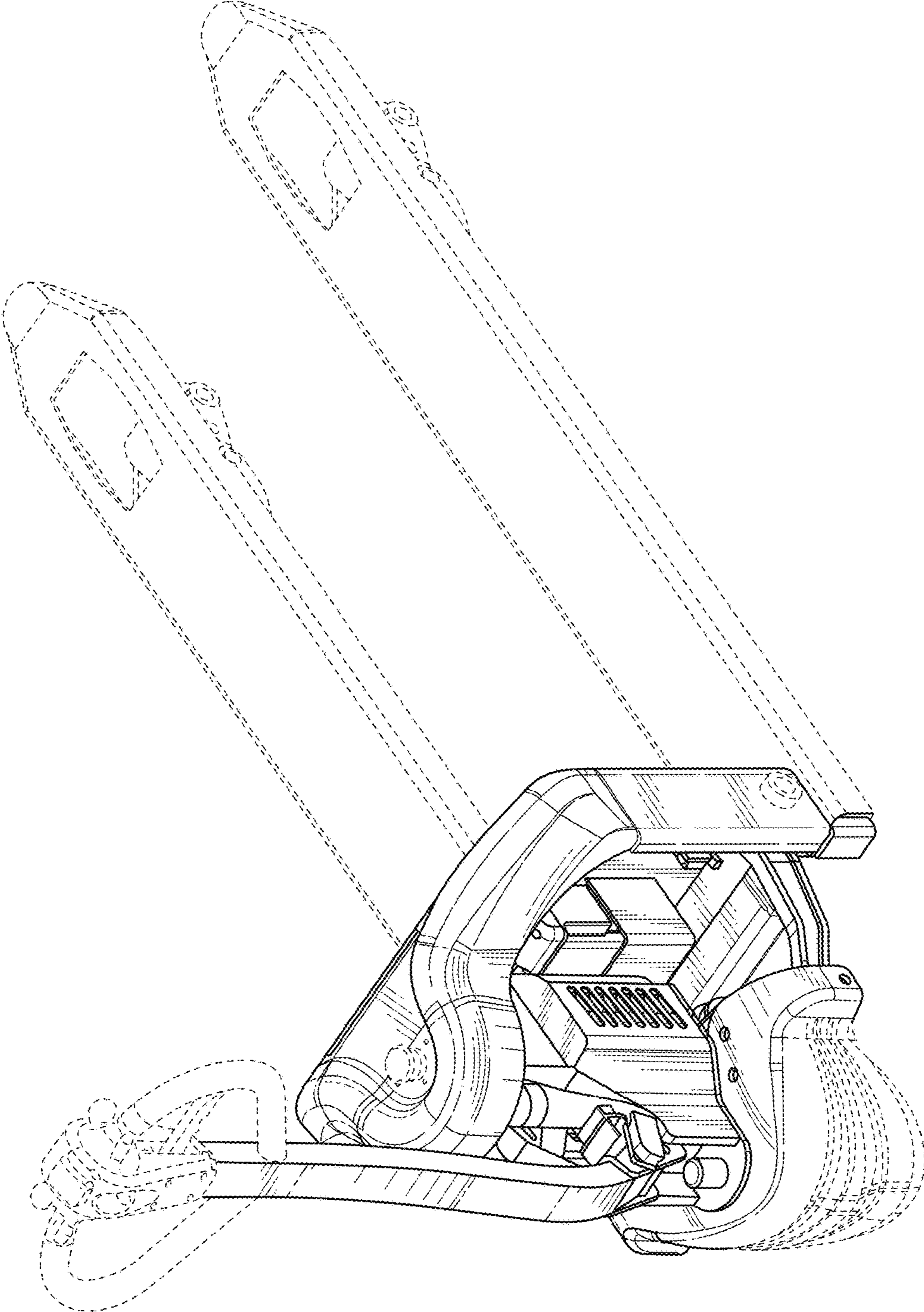


FIG. 1

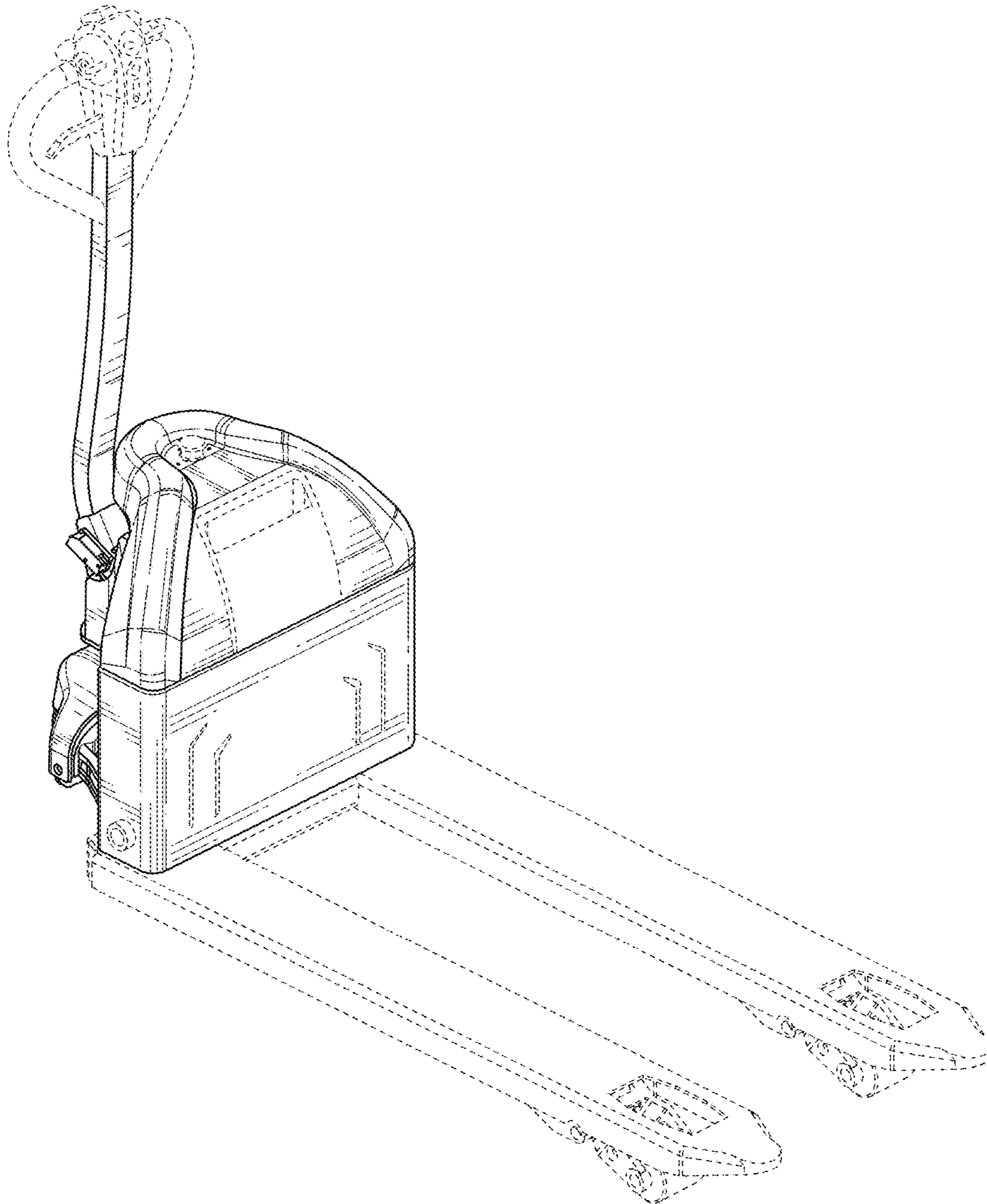


FIG. 2

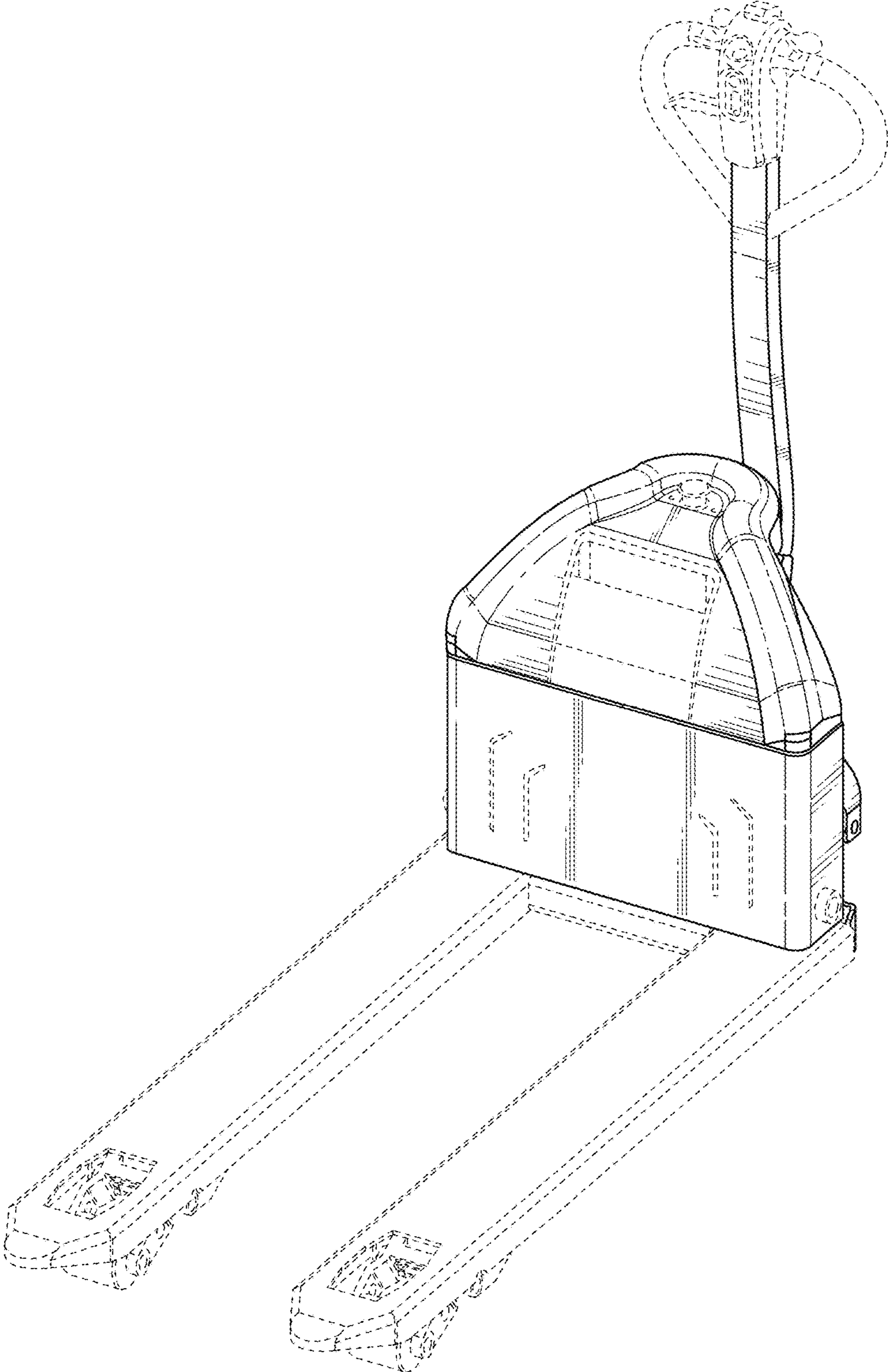


FIG. 3

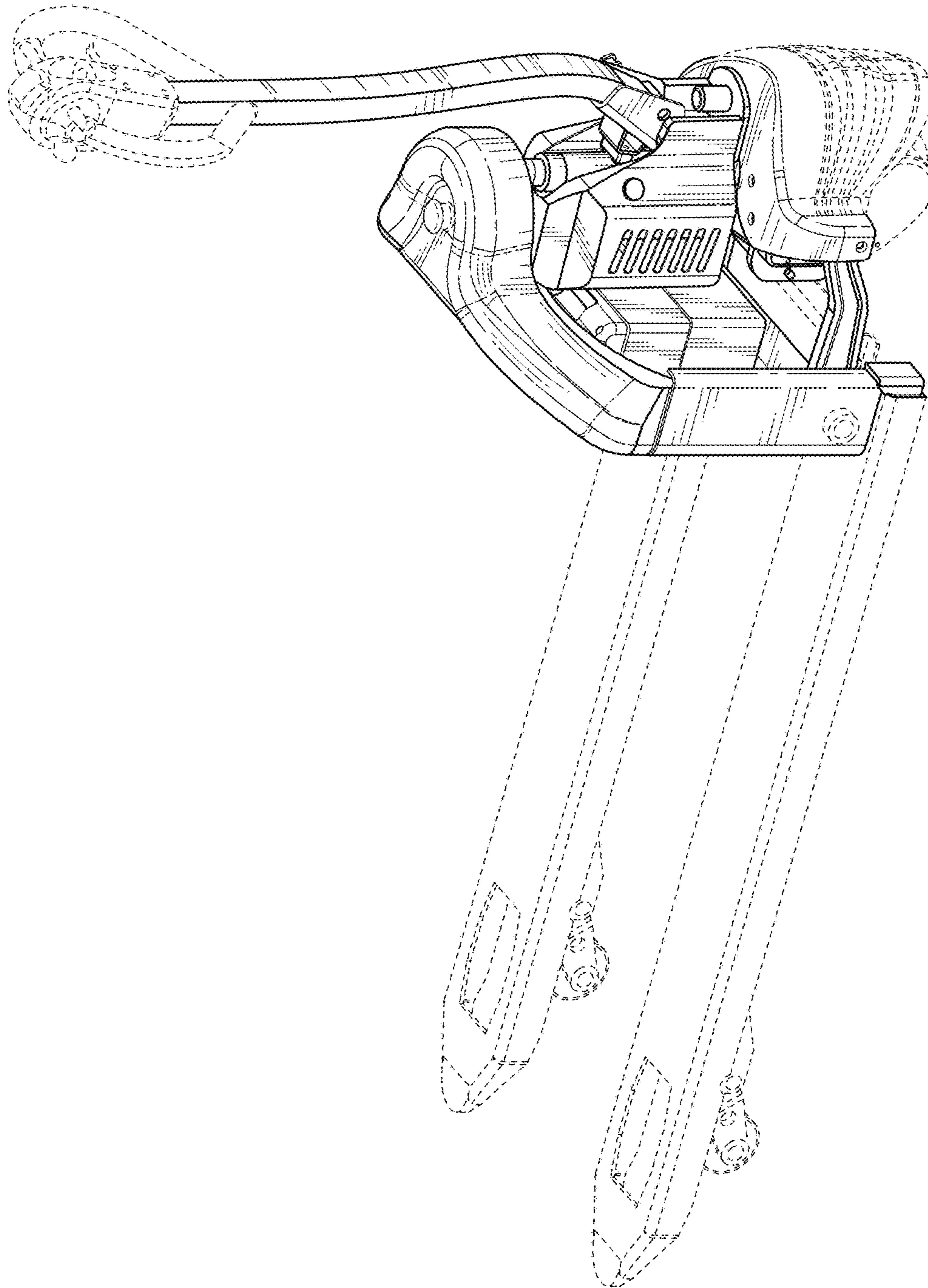


FIG. 4

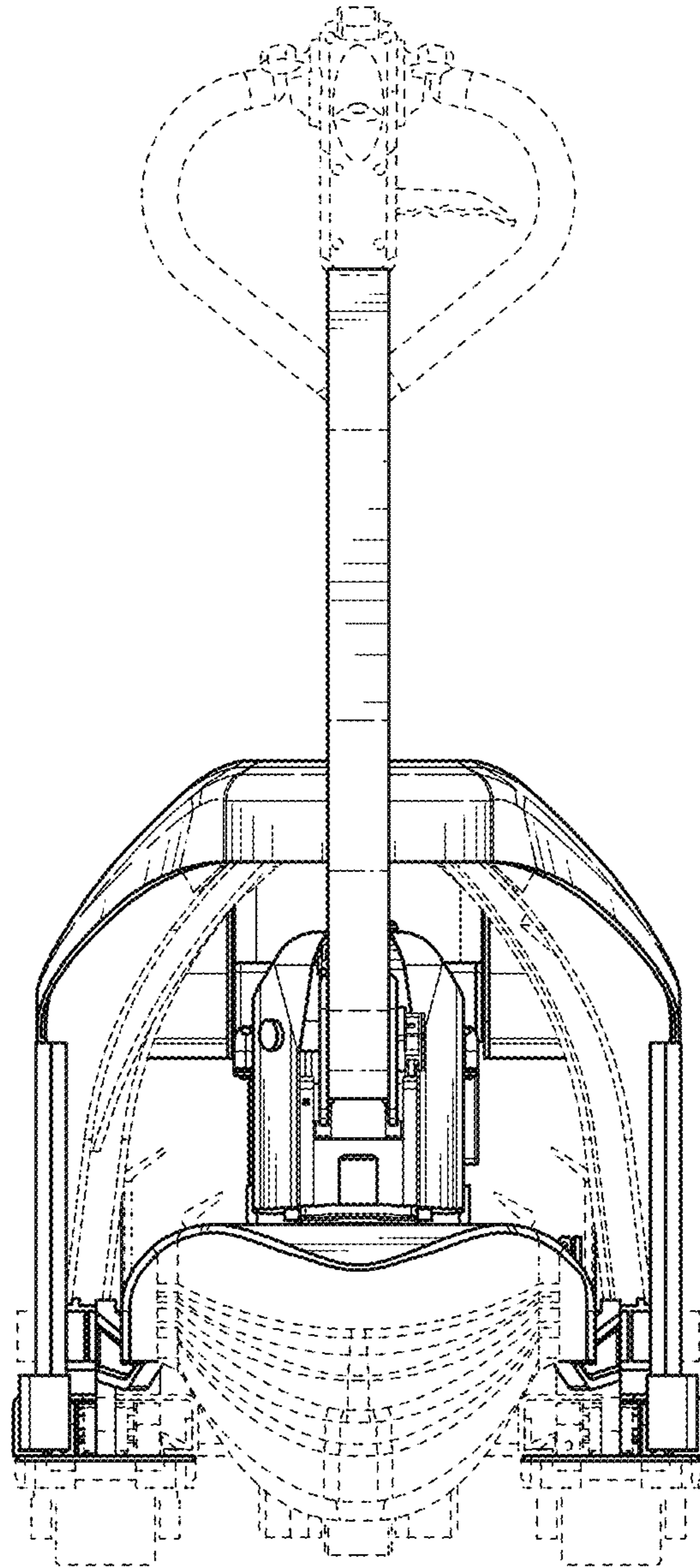


FIG. 5

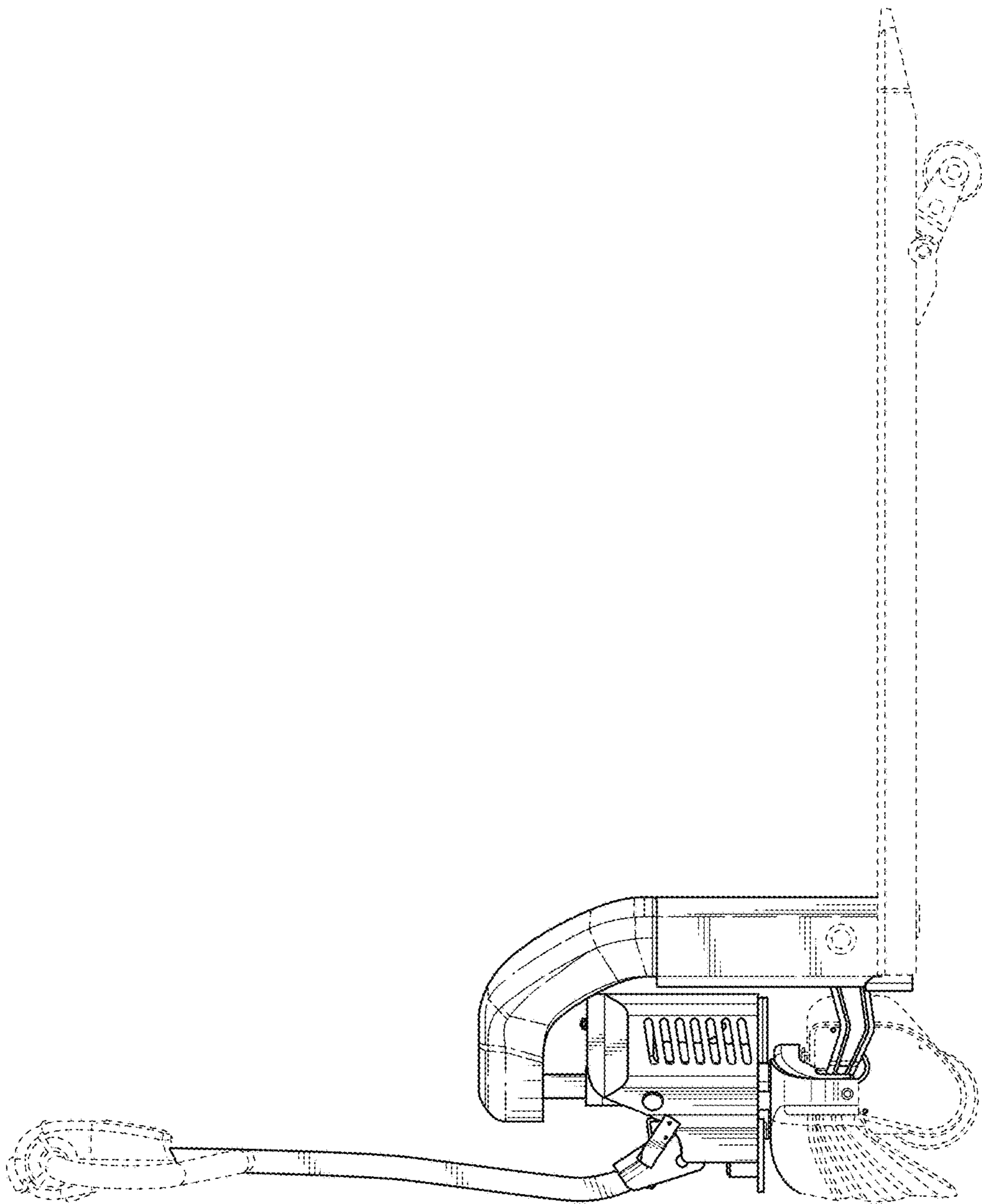


FIG. 6

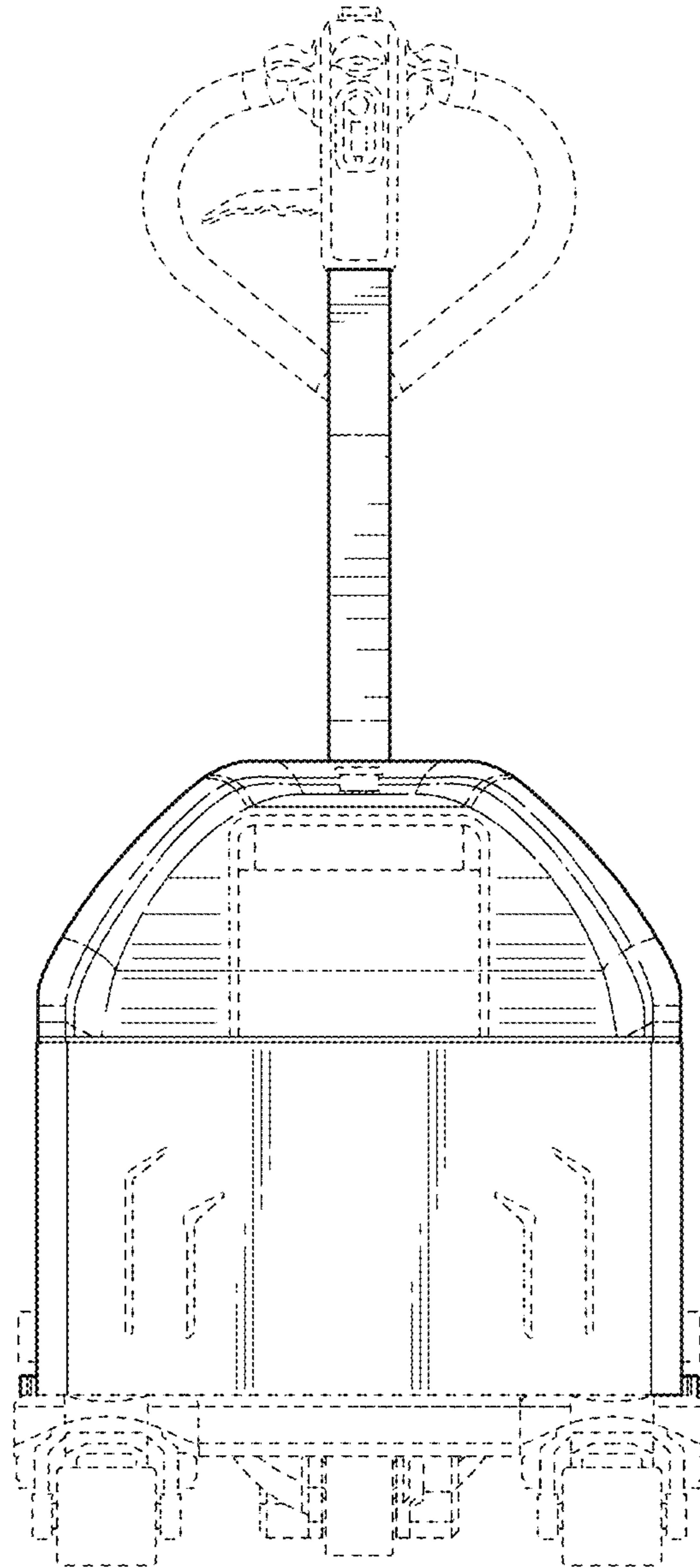


FIG. 7

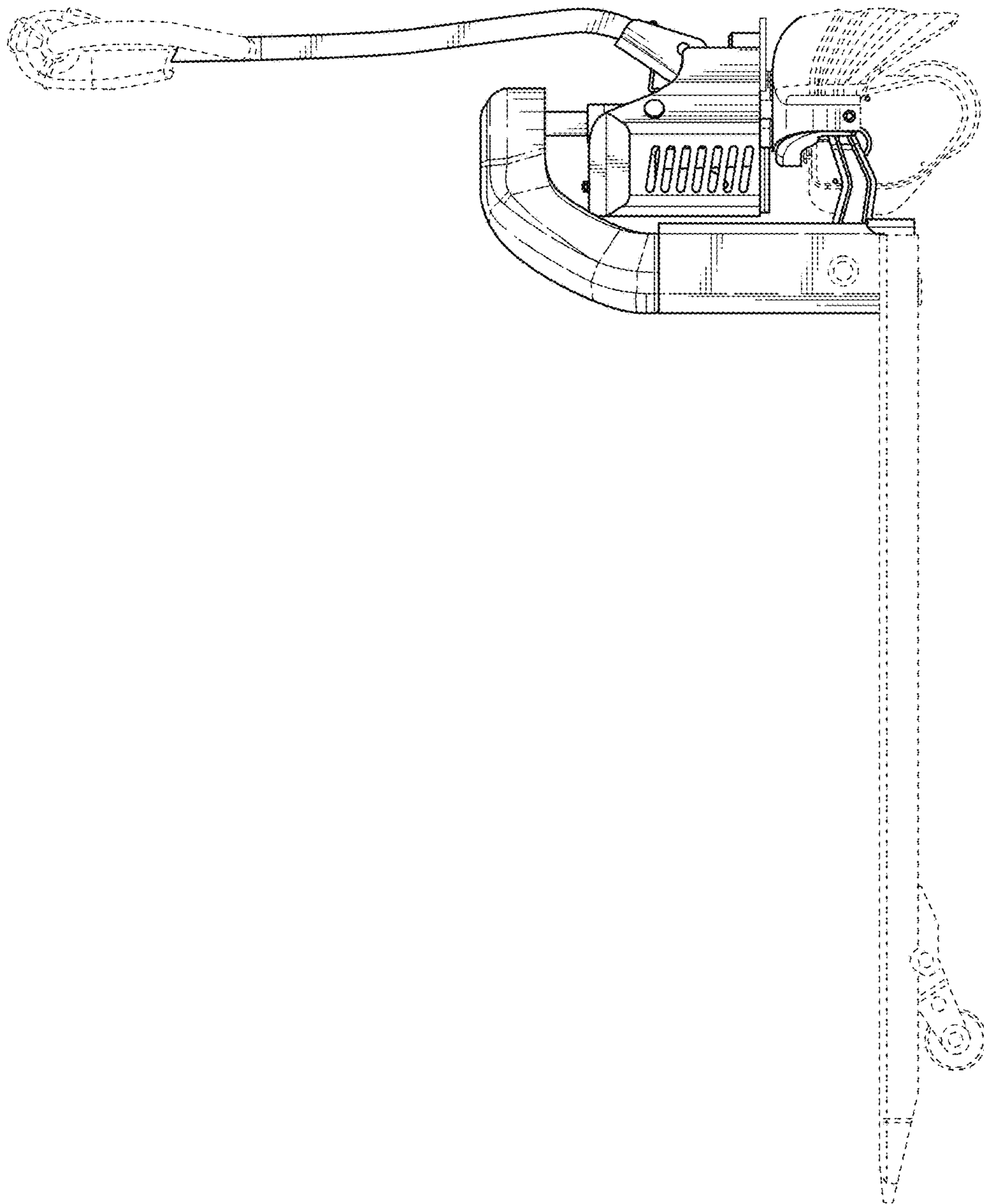


FIG. 8

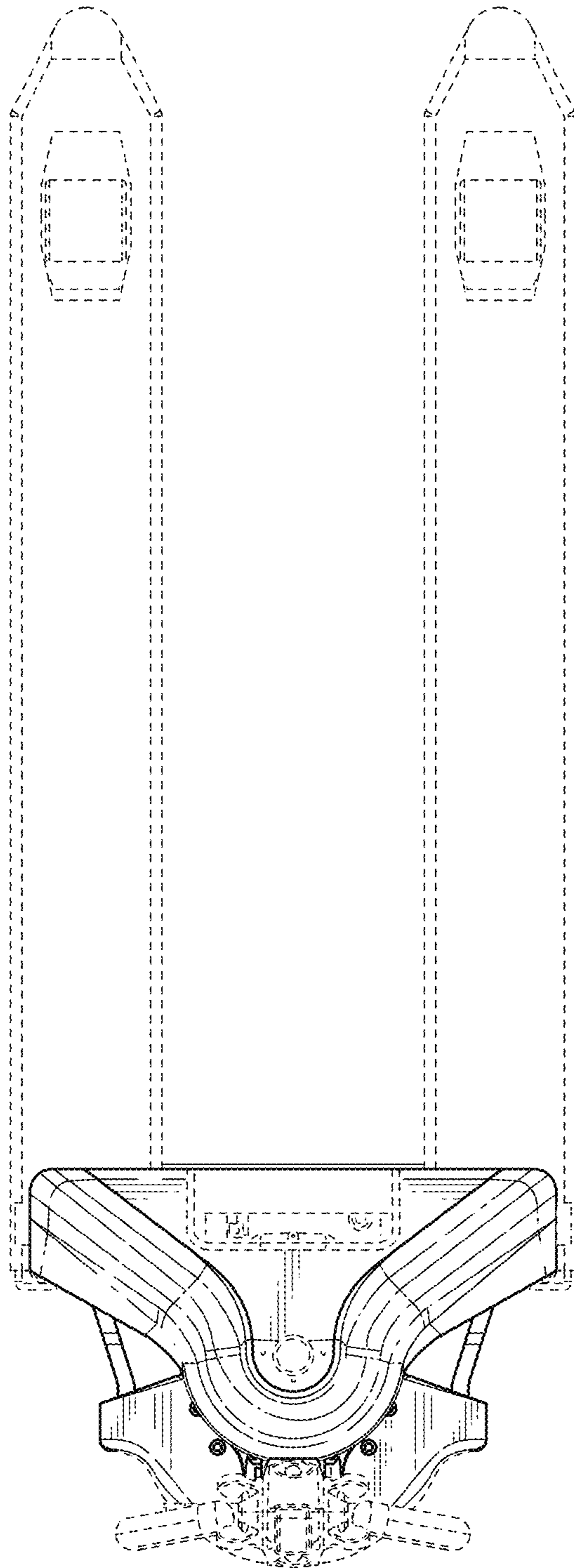


FIG. 9

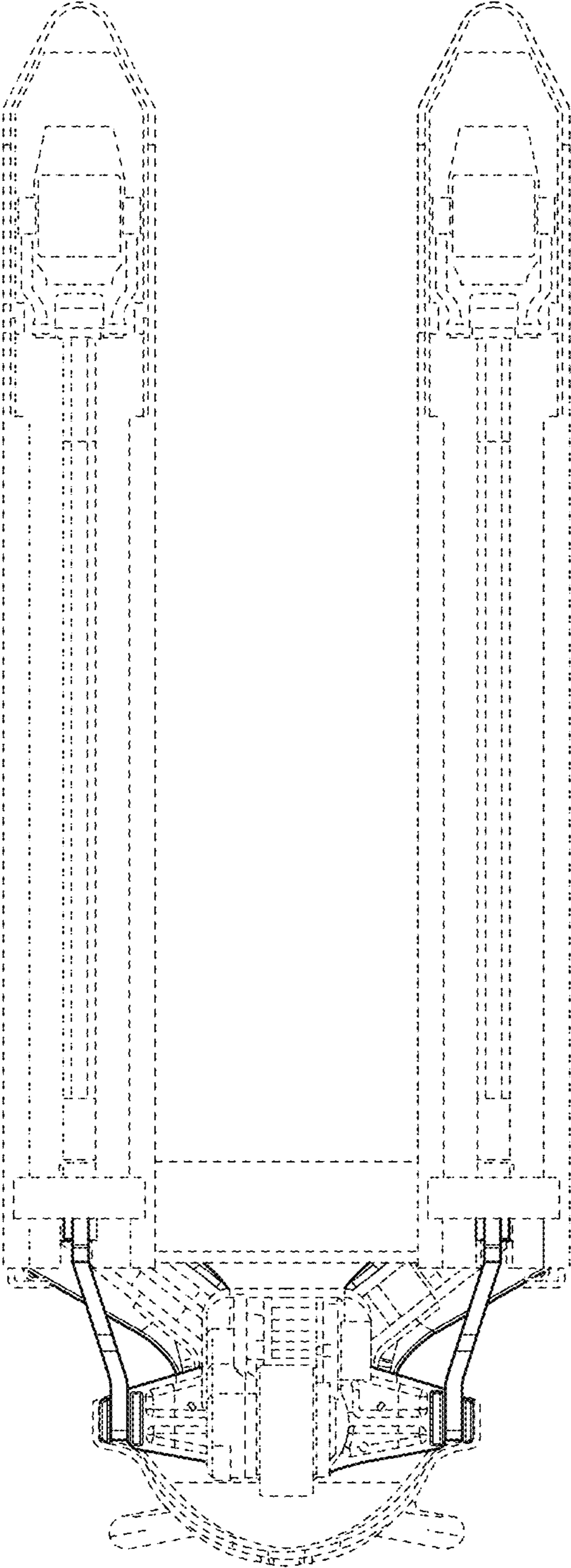


FIG. 10