

US00D819292S

(12) **United States Design Patent** (10) **Patent No.:** **US D819,292 S**
Karatas (45) **Date of Patent:** **** May 29, 2018**

(54) **PAIL**
(71) Applicant: **ANSAN METAL VE PLASTIK LTD.,**
Esenyurt Istanbul (TR)
(72) Inventor: **Hakan Karatas,** Esenyurt Istanbul (TR)
(73) Assignee: **ANSAN METAL VE PLASTIK LTD.,**
Istanbul (TR)

D652,189 S * 1/2012 Morand D34/7
D674,571 S * 1/2013 Sakaguchi D34/7
D683,922 S * 6/2013 Huang D34/9
D737,013 S * 8/2015 Beumer D34/7
D766,536 S * 9/2016 Karatas D34/7
D774,270 S * 12/2016 Chen D34/9
D775,447 S * 12/2016 Stravitz D34/7
D780,395 S * 2/2017 Stravitz D34/7
D790,793 S * 6/2017 Tu D34/7
D796,768 S * 9/2017 Pinsonnault D34/10

* cited by examiner

(**) Term: **15 Years**

Primary Examiner — Cynthia Ramirez

(21) Appl. No.: **29/584,653**

(74) *Attorney, Agent, or Firm* — Ladas & Parry LLP

(22) Filed: **Nov. 16, 2016**

(57) **CLAIM**

(30) **Foreign Application Priority Data**

I claim the ornamental design for a pail, as shown and described.

Sep. 2, 2016 (TR) 2016/05927

DESCRIPTION

(51) **LOC (11) Cl.** **09-09**

FIG. 1 is a perspective view of a closed configuration showing my new design for a pail.

(52) **U.S. Cl.**

FIG. 2 is a front view of a closed configuration thereof.

USPC **D34/7**

FIG. 3 is a back view of a closed configuration thereof.

(58) **Field of Classification Search**

USPC D34/1-11; 220/908, 908.1

FIG. 4 is a left side view of a closed configuration thereof.

CPC B65F 1/163; B65F 1/08; B65F 1/06; B65F

FIG. 5 is a right side view of a closed configuration thereof.

1/1607; B65F 1/14; B65F 1/1615; B65F

FIG. 6 is a top view of a closed configuration thereof.

1/062; B65F 1/068

FIG. 7 is a bottom view of a closed configuration thereof.

See application file for complete search history.

FIG. 8 is a perspective view of an open configuration thereof.

(56) **References Cited**

FIG. 9 is a perspective view of another open configuration thereof; and,

U.S. PATENT DOCUMENTS

FIG. 10 is a perspective view of another open configuration thereof.

D559,495 S * 1/2008 Yang D34/9

The broken lines shown in the drawings represent unclaimed portions of the pail.

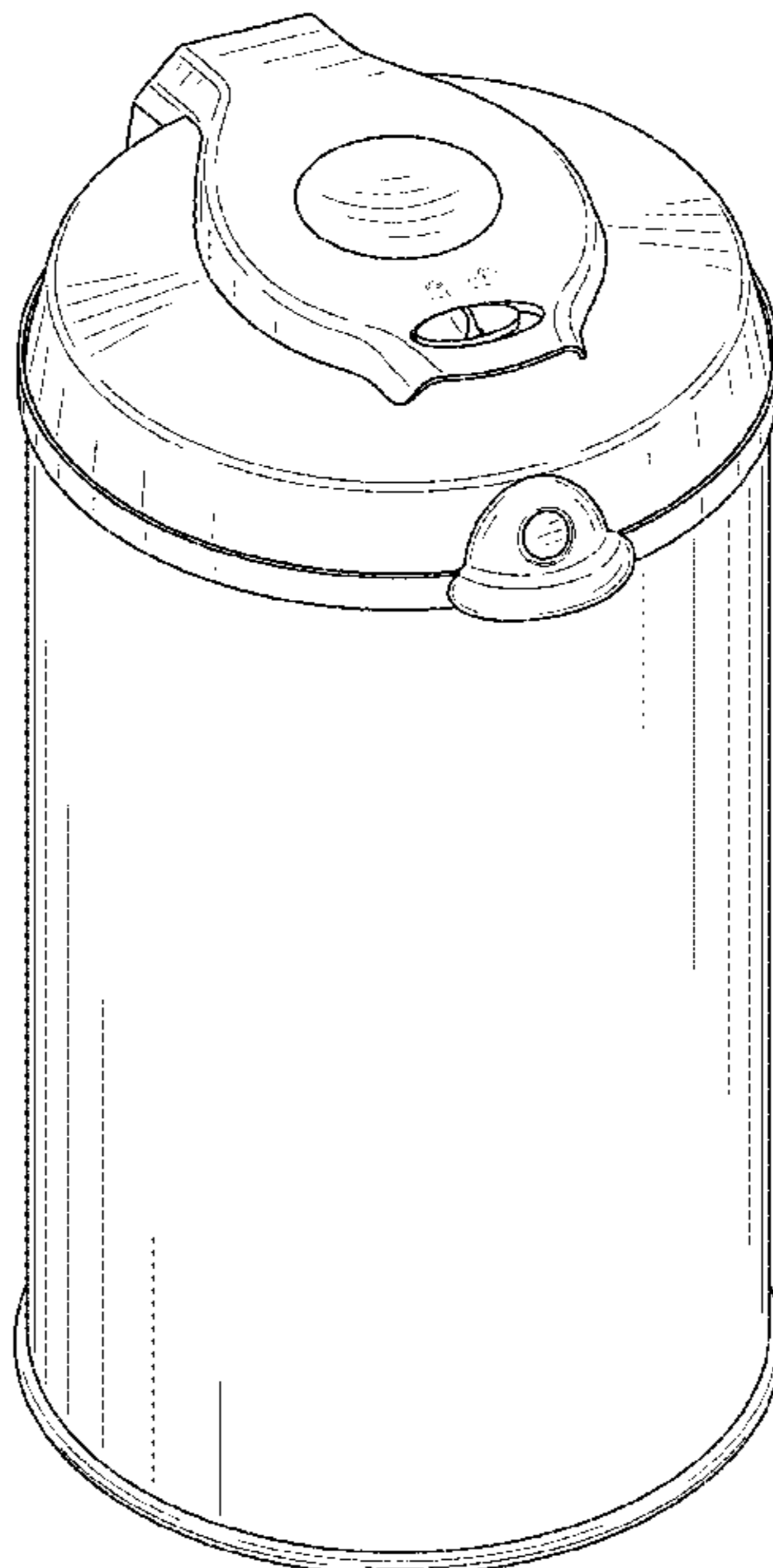
D567,466 S * 4/2008 Lee D34/7

D627,944 S * 11/2010 Wang D34/7

D629,172 S * 12/2010 Liao D34/7

D635,319 S * 3/2011 Meyerhoffer D34/7

1 Claim, 8 Drawing Sheets



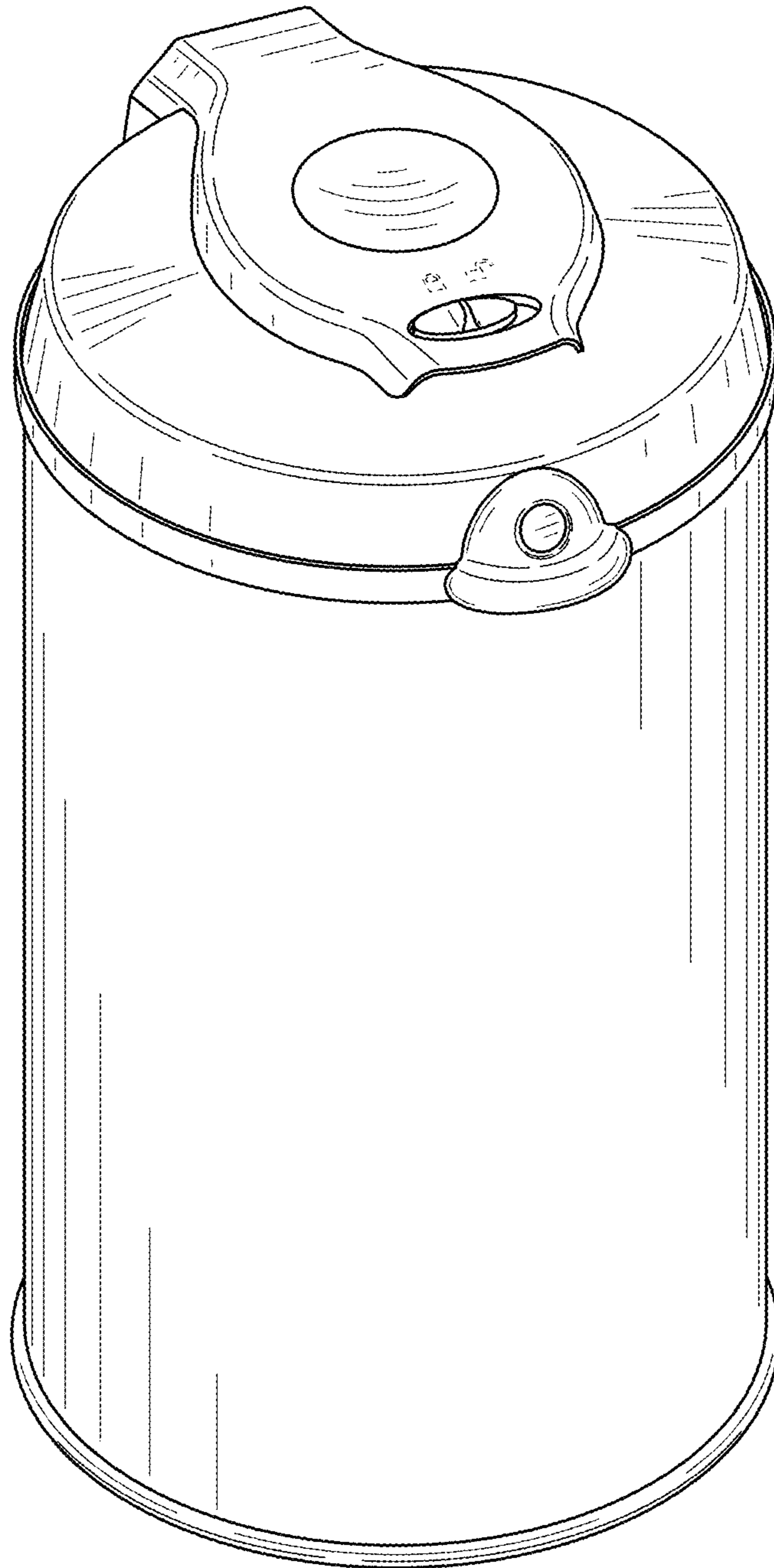


FIG. 1

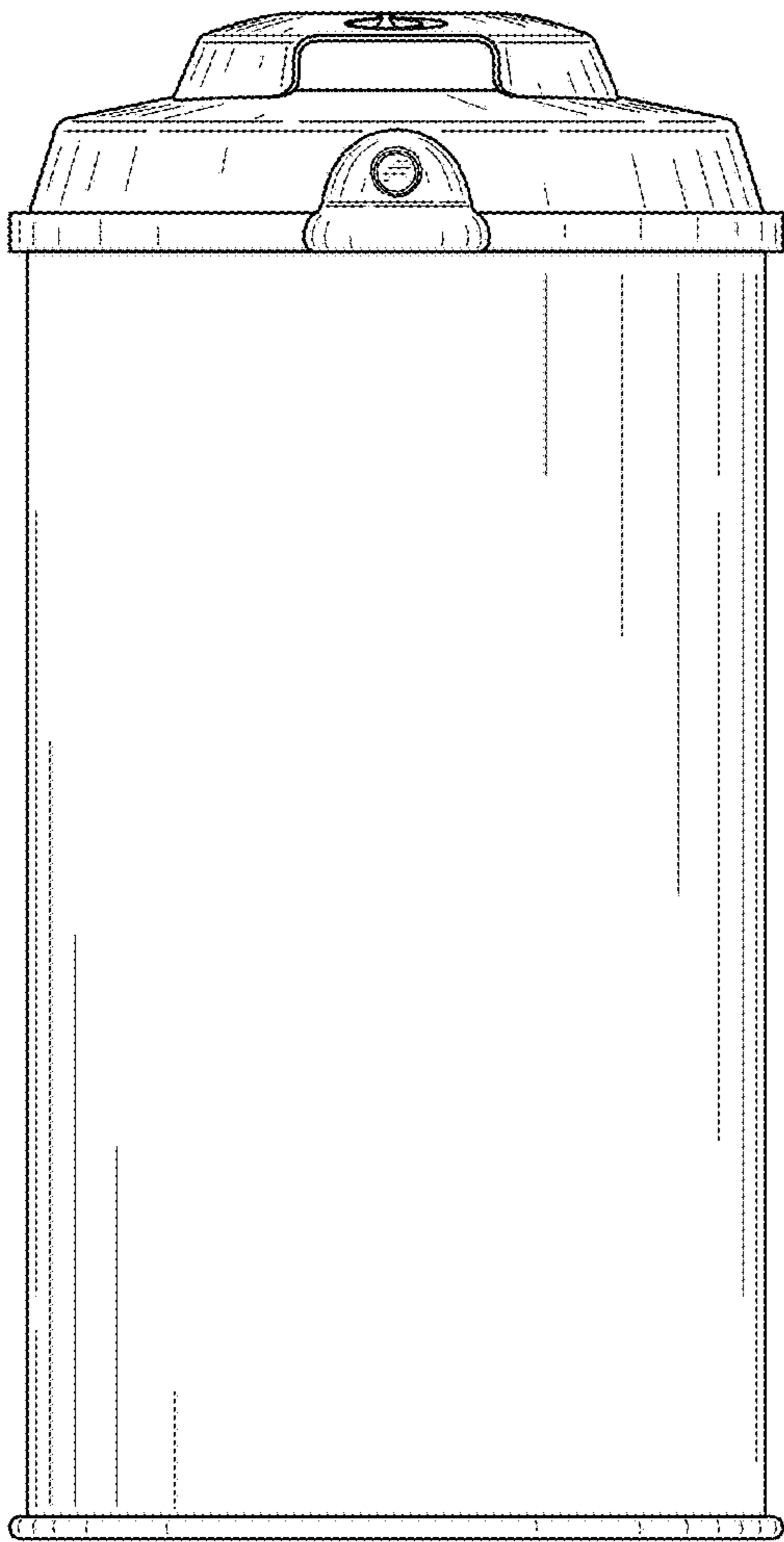


FIG. 2

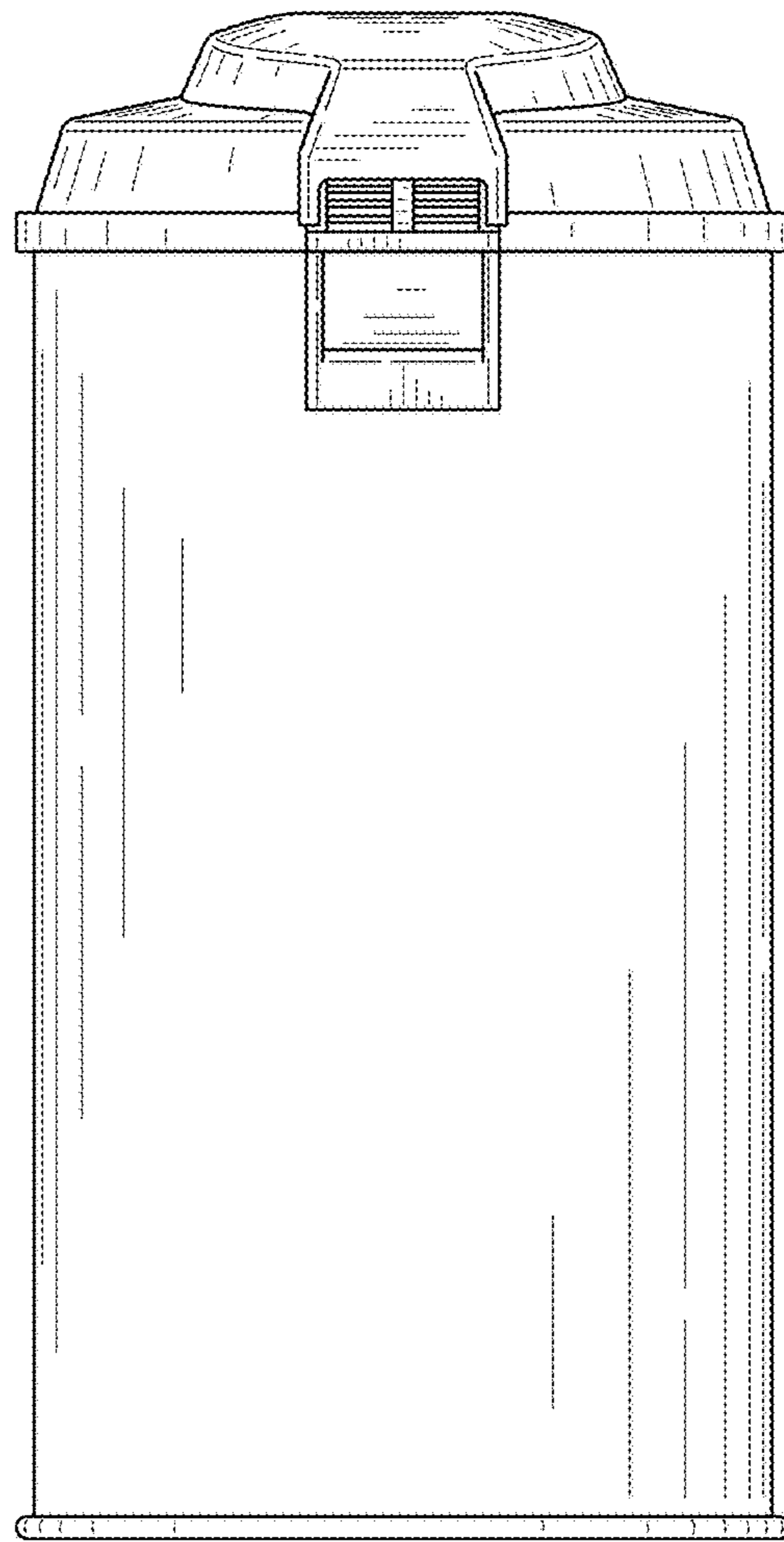


FIG. 3

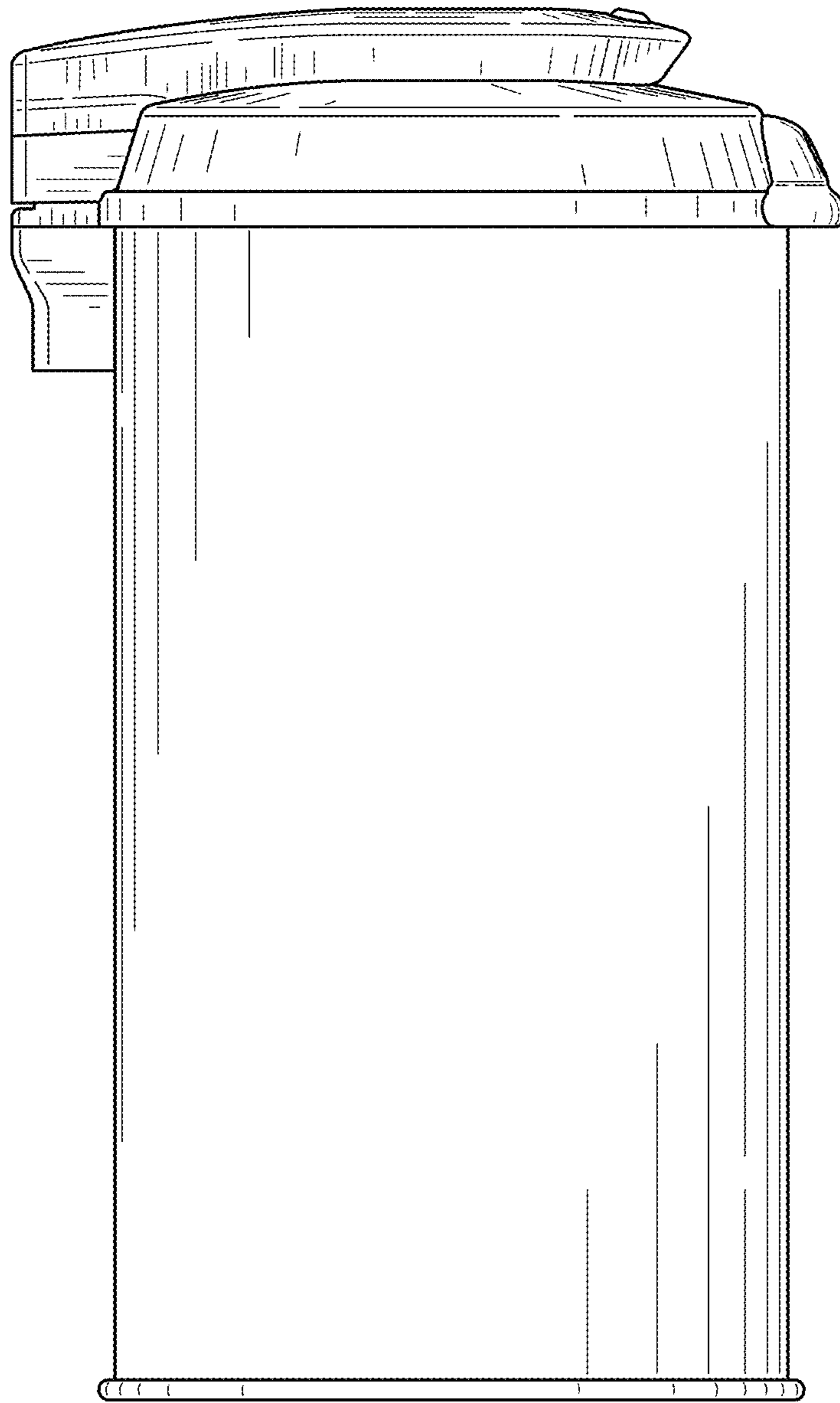


FIG. 4

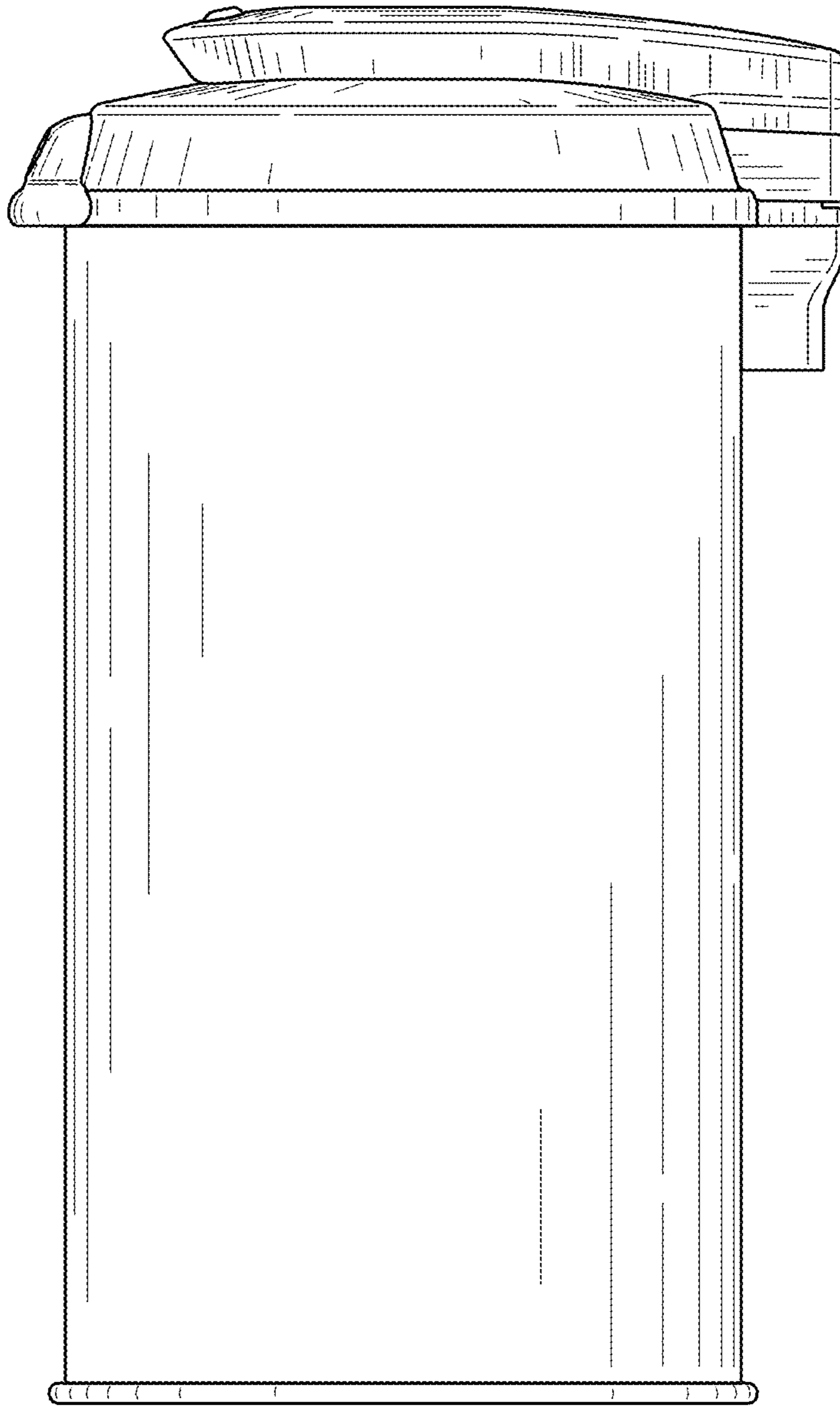


FIG. 5

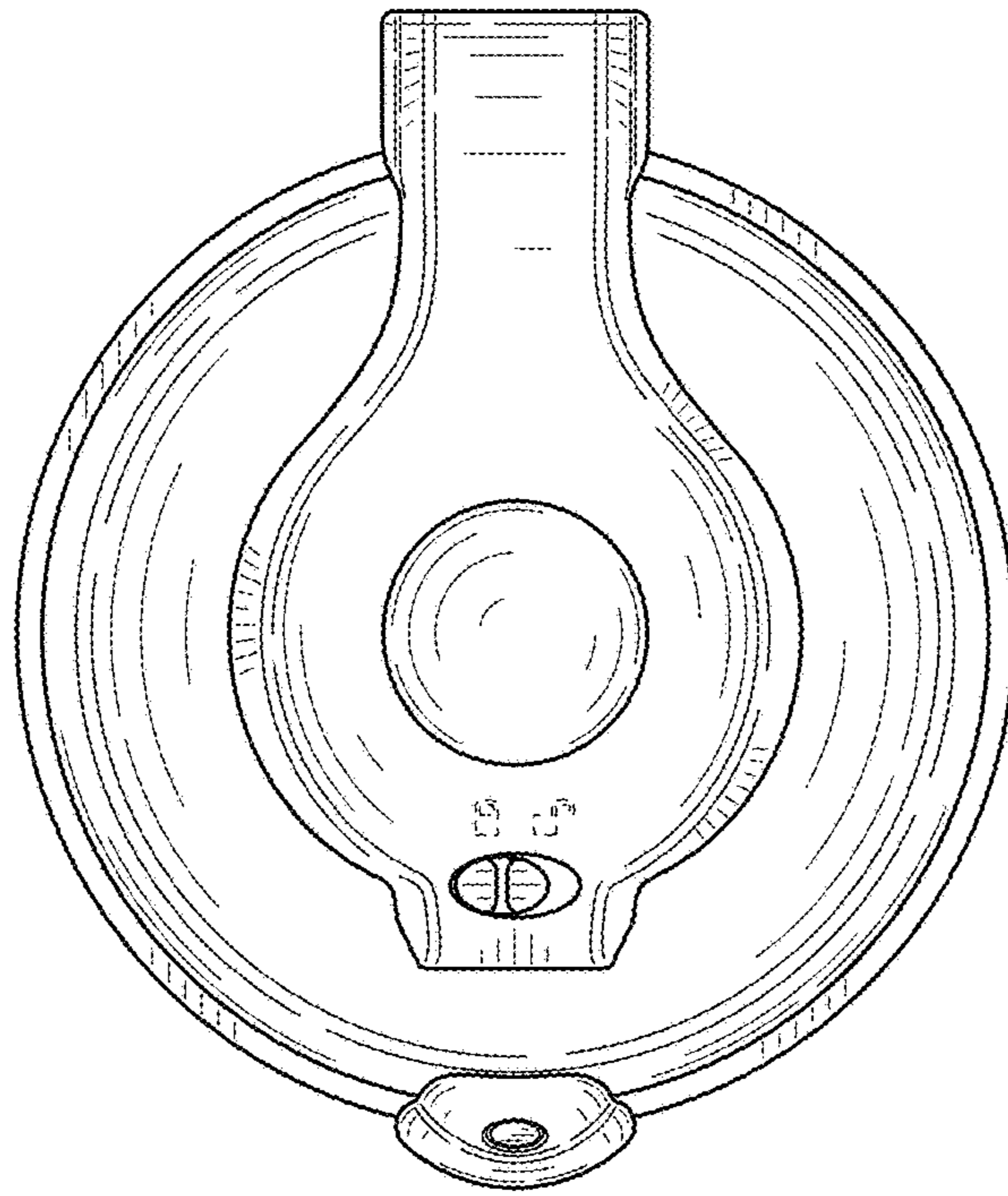


FIG. 6

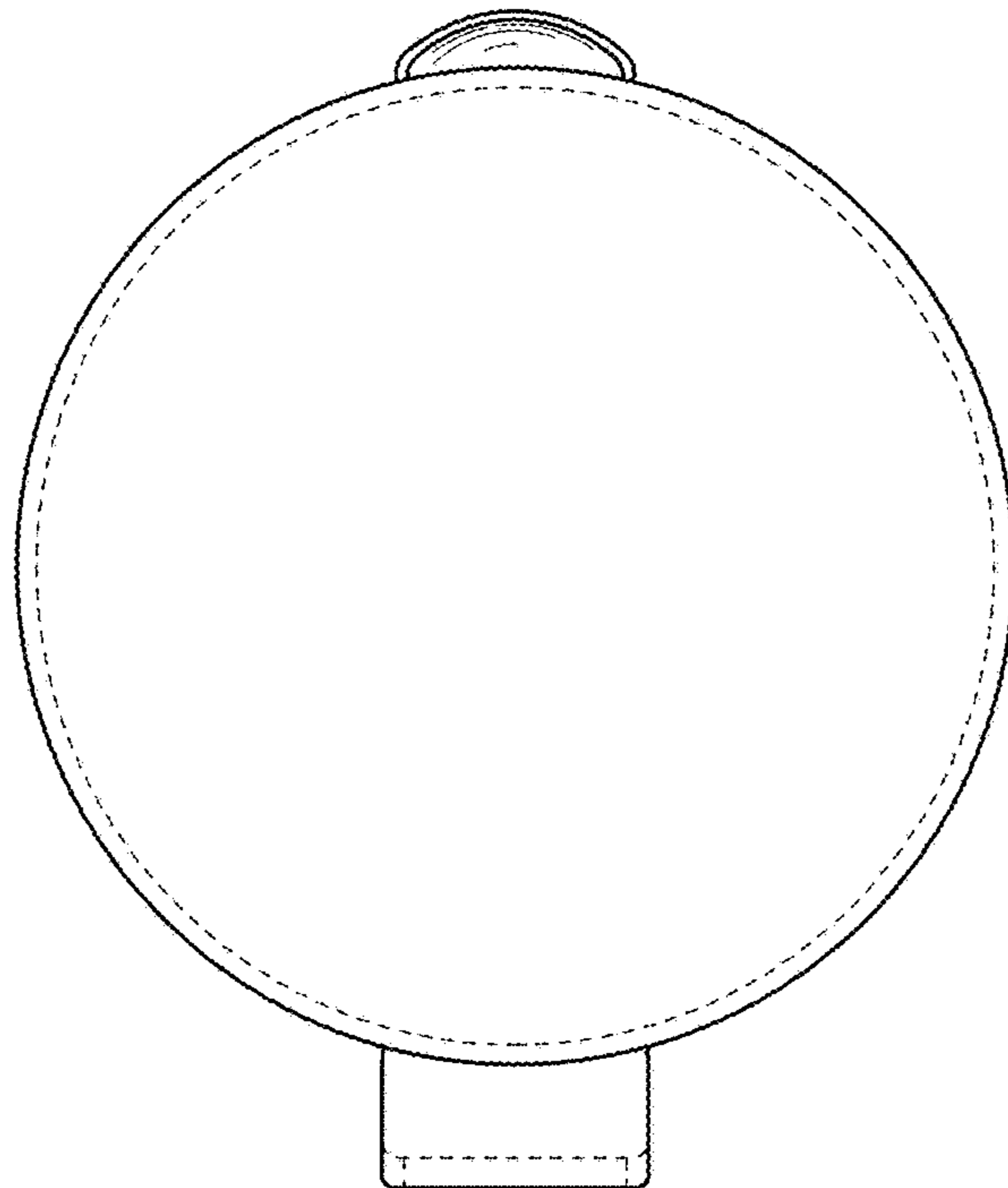


FIG. 7

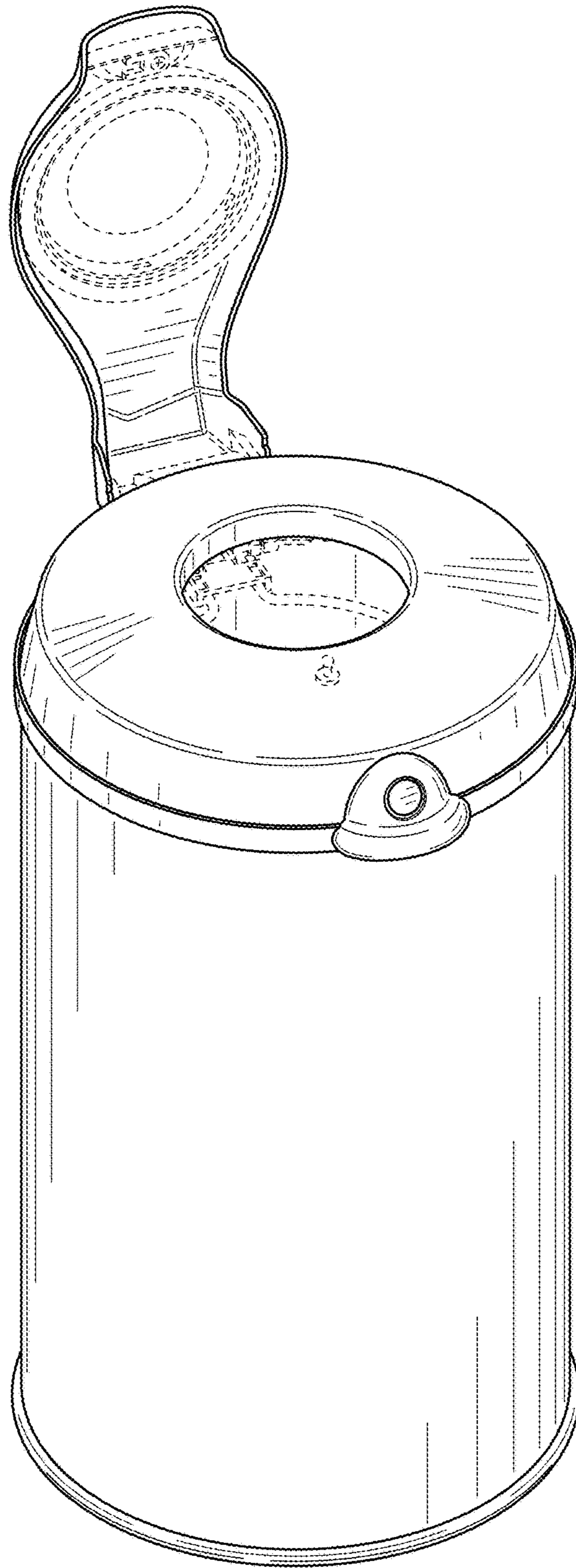


FIG. 8

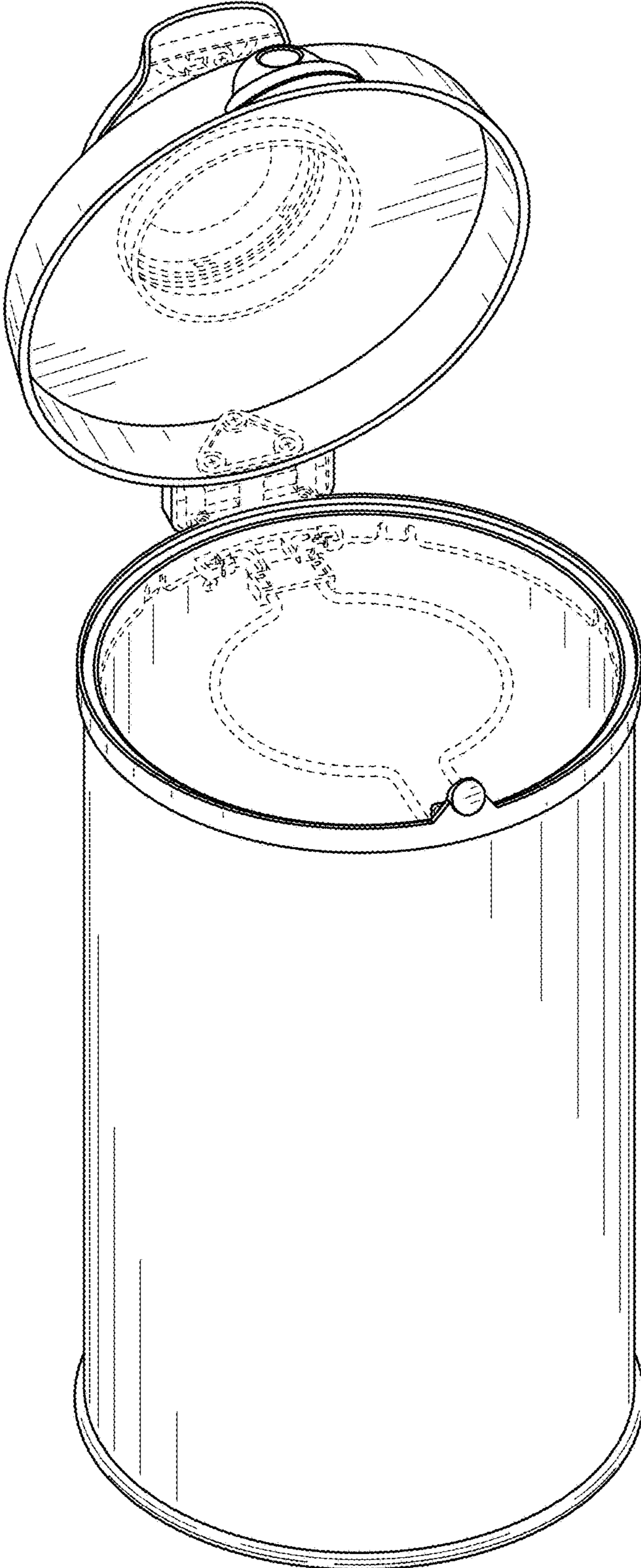


FIG. 9

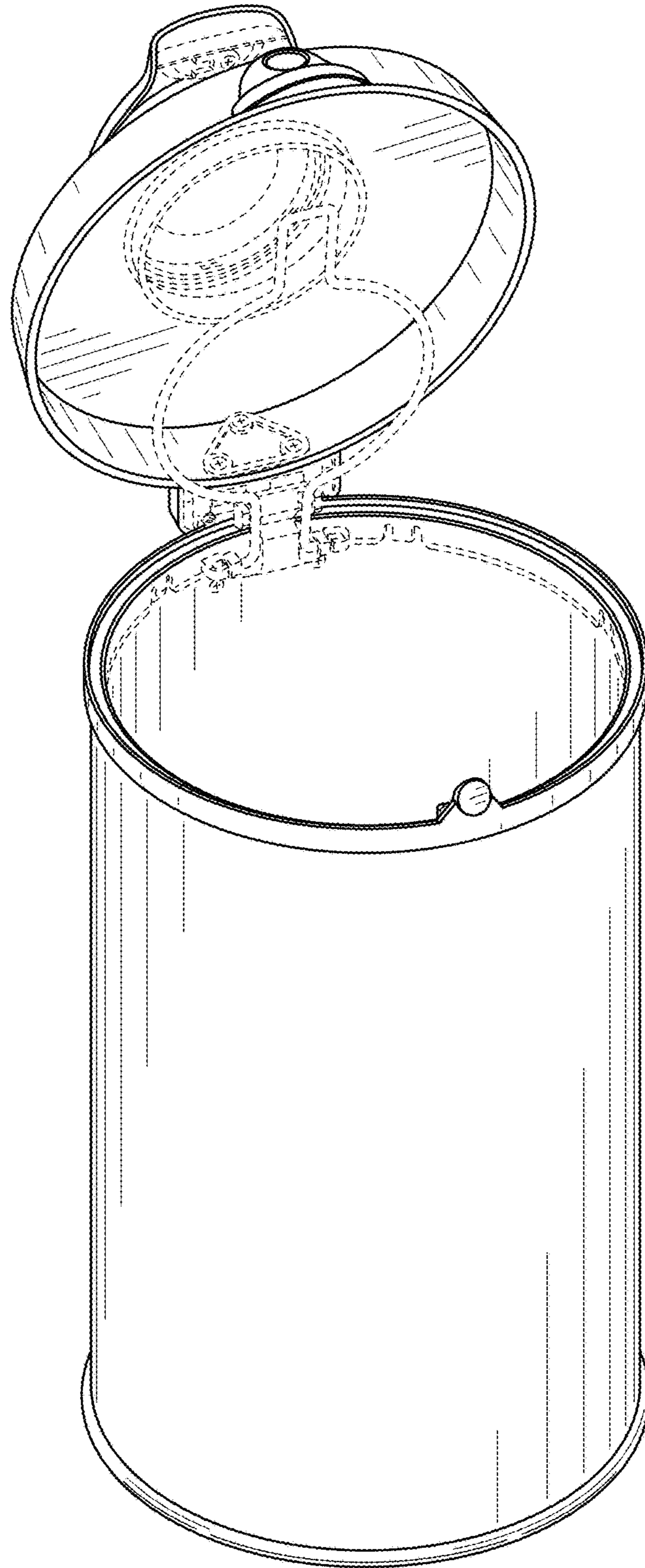


FIG. 10