



US00D819291S

(12) **United States Design Patent** (10) **Patent No.:** **US D819,291 S**
Turcotte (45) **Date of Patent:** **** May 29, 2018**

(54) **BAG SUPPORTING DEVICE** 6,666,465 B2 12/2003 Chan
 7,819,407 B1 10/2010 Charitun
 (71) Applicant: **Jean-Luc Turcotte,** D678,643 S * 3/2013 Presley D34/24
 St-Bruno-de-Montarville (CA) D715,511 S * 10/2014 Okwumabua D34/12
 D746,530 S 12/2015 Marchant
 D758,687 S * 6/2016 Shitrit D34/12
 D764,735 S * 8/2016 Avery D34/12
 (72) Inventor: **Jean-Luc Turcotte,** 2002/0101065 A1 * 8/2002 McCollum A63B 71/0036
 St-Bruno-de-Montarville (CA) 280/655
 (**) Term: **15 Years** 2005/0103950 A1 5/2005 Joubert
 2009/0032653 A1 * 2/2009 Gilligan B62B 1/14
 248/98
 (21) Appl. No.: **29/566,171** 2009/0152825 A1 6/2009 Adams
 2011/0020099 A1 * 1/2011 Hollins B62B 1/14
 414/334
 (22) Filed: **May 27, 2016** 2014/0246837 A1 9/2014 Delattre
 2017/0129518 A1 * 5/2017 Huisman B62B 1/125
 (51) **LOC (11) Cl.** **09-09**
 (52) **U.S. Cl.**
 USPC **D34/5; D34/24** * cited by examiner
 (58) **Field of Classification Search**
 USPC D34/12, 14, 24, 5, 1; 248/95, 96, 97, 98,
 248/99; 220/908, 908.1; 280/33.997,
 280/47.35
 CPC B62B 2202/22; B65F 1/1415; B65F 3/106
 See application file for complete search history.

Primary Examiner — Cynthia Ramirez

(57) **CLAIM**
 The ornamental design for a bag supporting device, as shown and described.

(56) **References Cited**

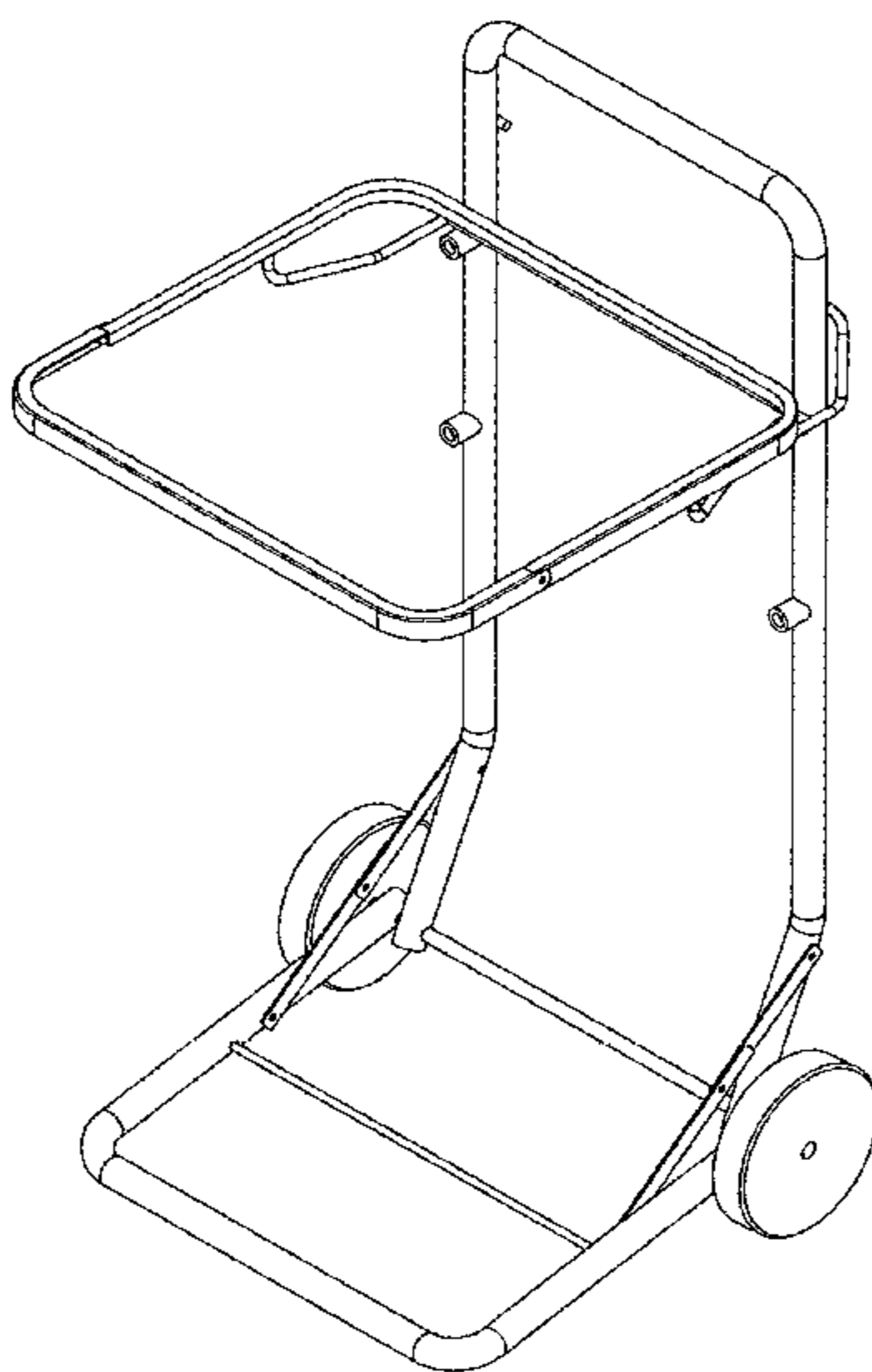
U.S. PATENT DOCUMENTS

779,124 A	1/1905	Haffey	
1,536,903 A	5/1925	McNaughton	
3,041,026 A	6/1962	Wilson	
3,754,771 A	8/1973	Shagoury	
3,797,847 A	3/1974	Lindsey et al.	
3,992,034 A	11/1976	Smith, Sr. et al.	
4,124,185 A *	11/1978	Preisinger B62B 1/14 248/101
4,179,132 A	12/1979	Rich	
4,202,521 A *	5/1980	Harding B62B 1/266 248/98
4,452,468 A	6/1984	Eads et al.	
4,846,427 A	7/1989	Jones	
5,209,517 A	5/1993	Shagoury	
5,947,492 A *	9/1999	Hallberg, Jr. B62B 1/002 248/98
6,126,183 A	10/2000	Lensing	

DESCRIPTION

FIG. 1 is an isometric view of a bag supporting device showing my new design;
 FIG. 2 is a front view thereof;
 FIG. 3 is a side view thereof;
 FIG. 4 is a top view thereof;
 FIG. 5 is a side elevational view showing the bag supporting device fully deployed;
 FIG. 6 is a side elevational view showing the bag supporting device with the top part folded down; and,
 FIG. 7 is a side elevational view showing the bag supporting device with both the top part folded down and bottom part folded up.

1 Claim, 3 Drawing Sheets



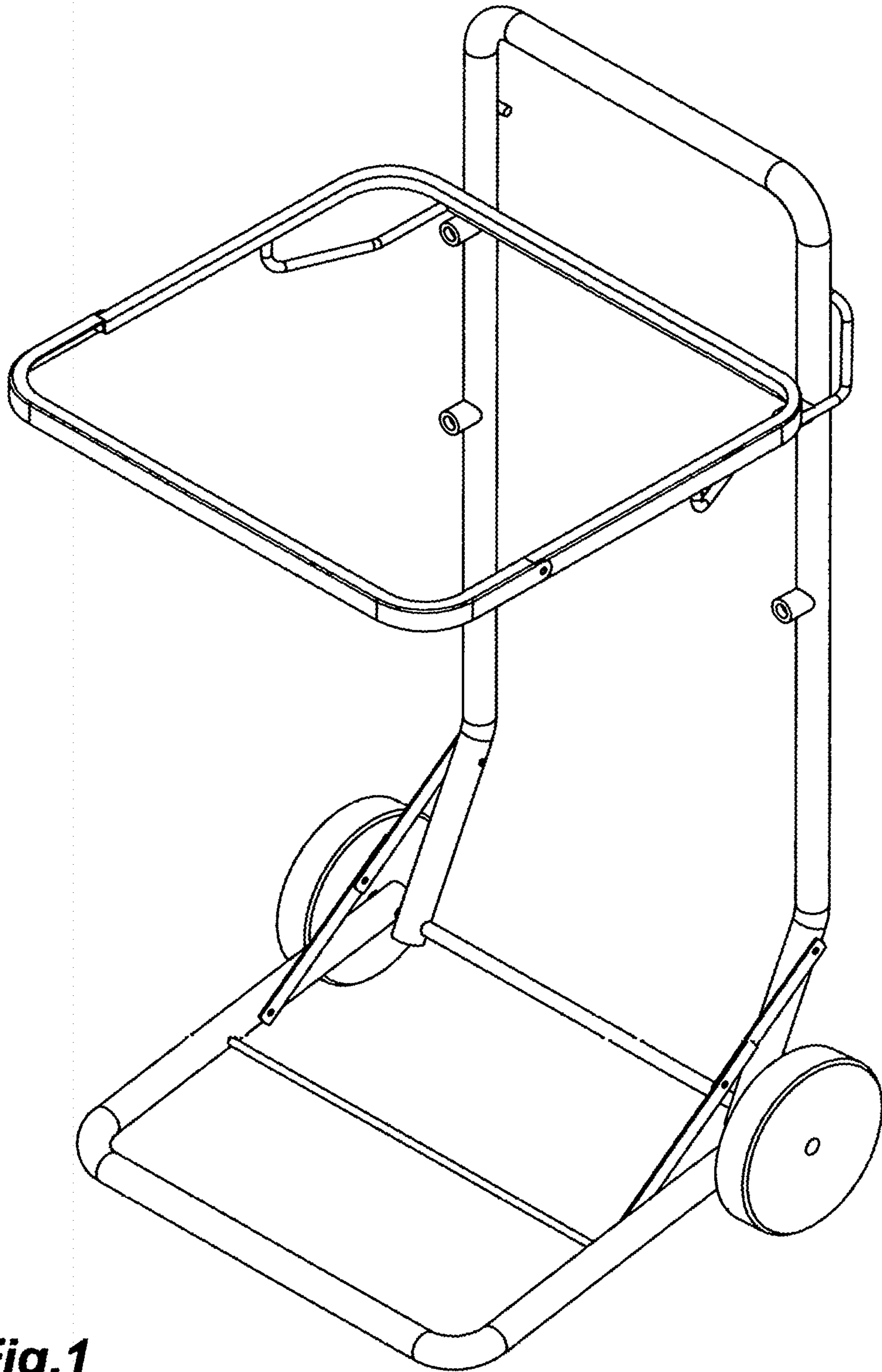


Fig.1

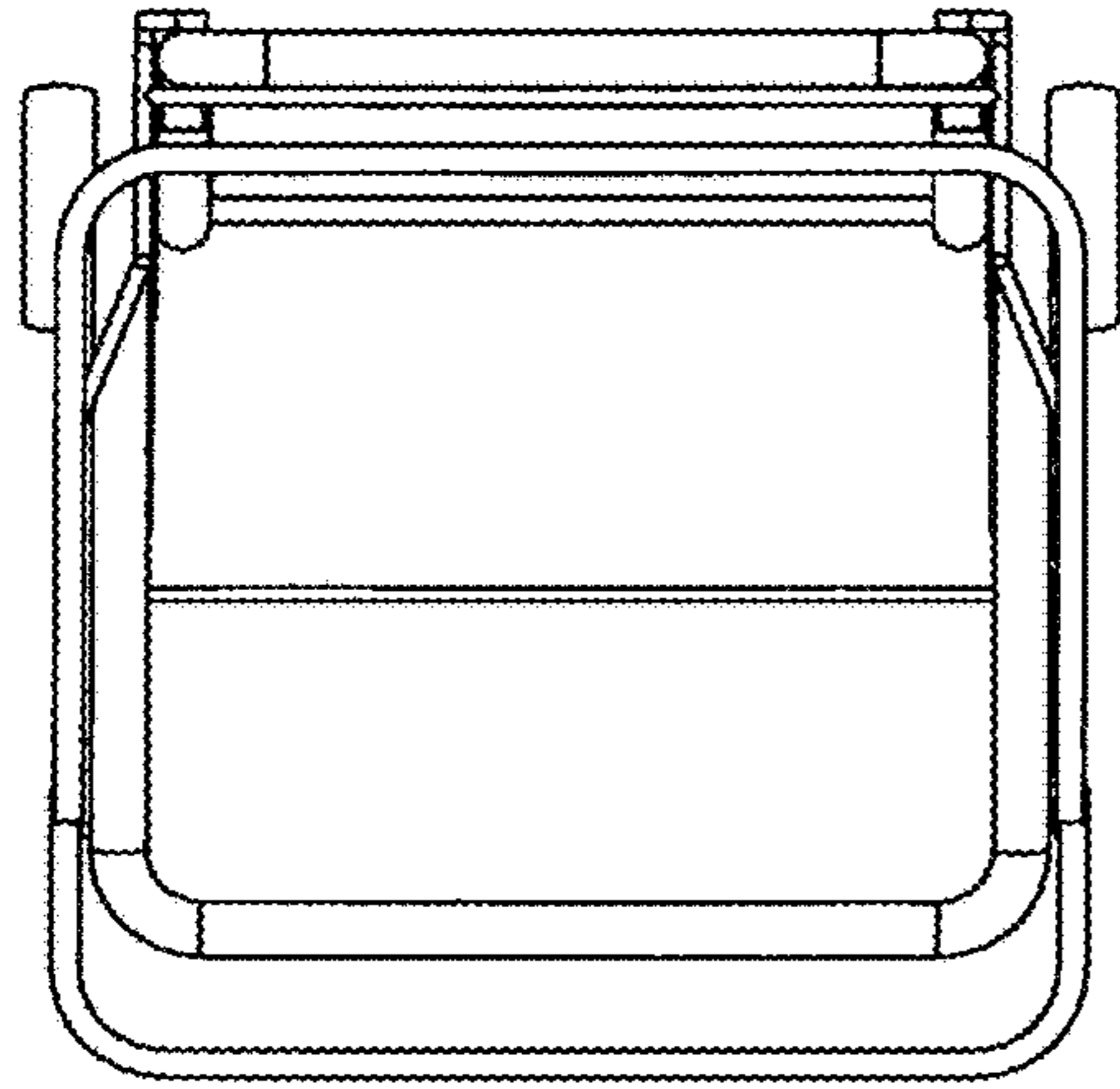


Fig.4

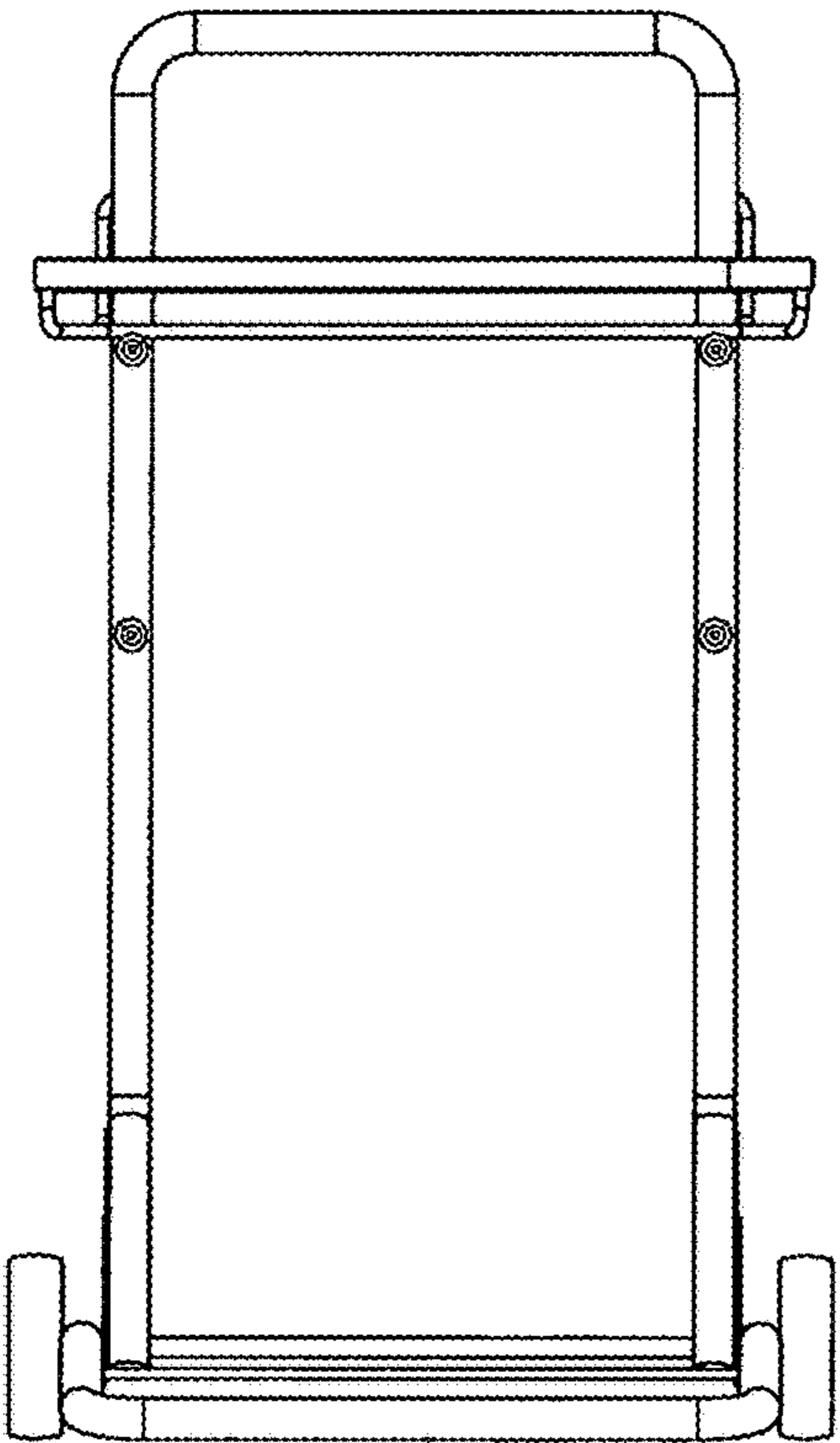


Fig.2

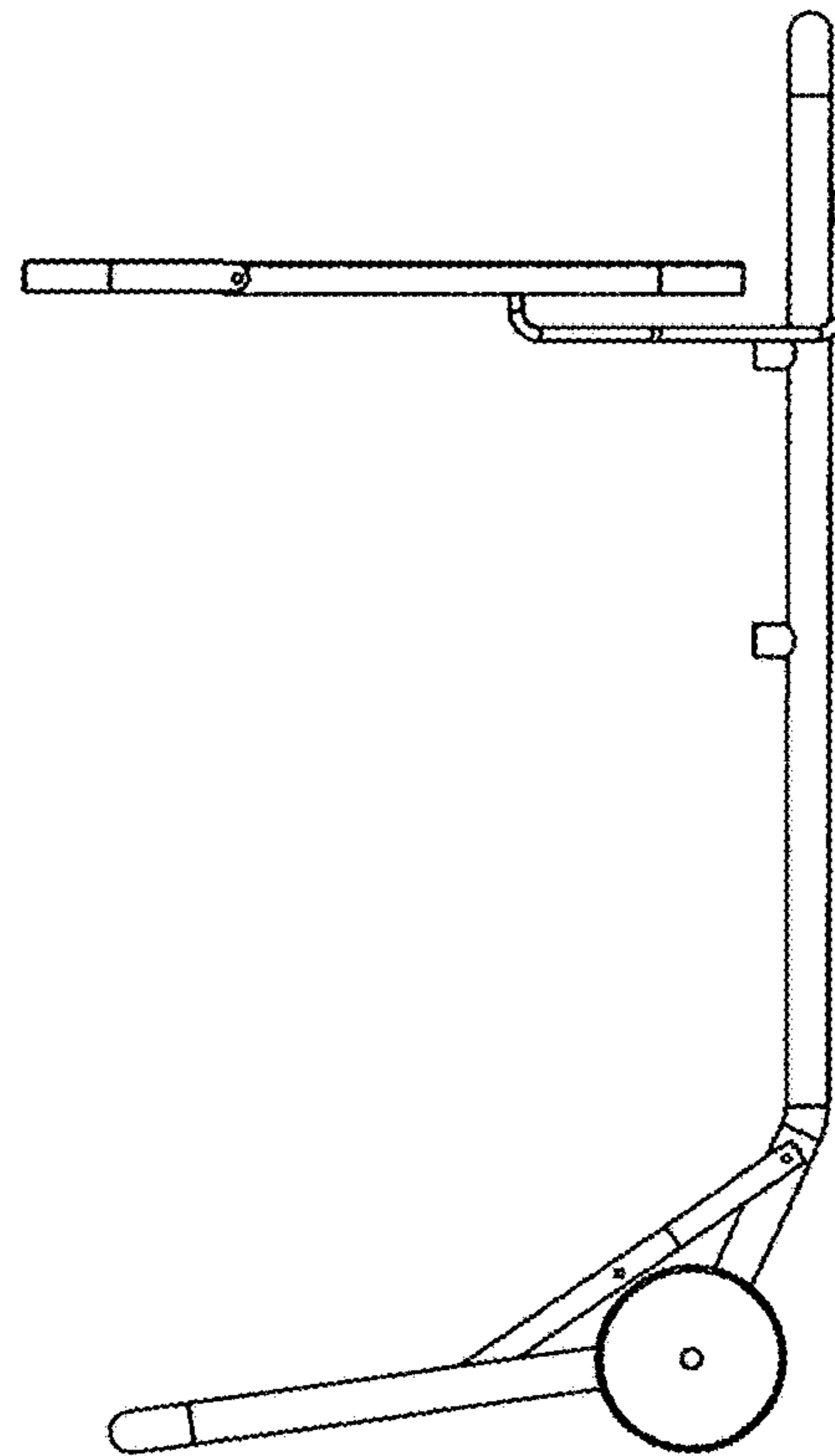


Fig.3

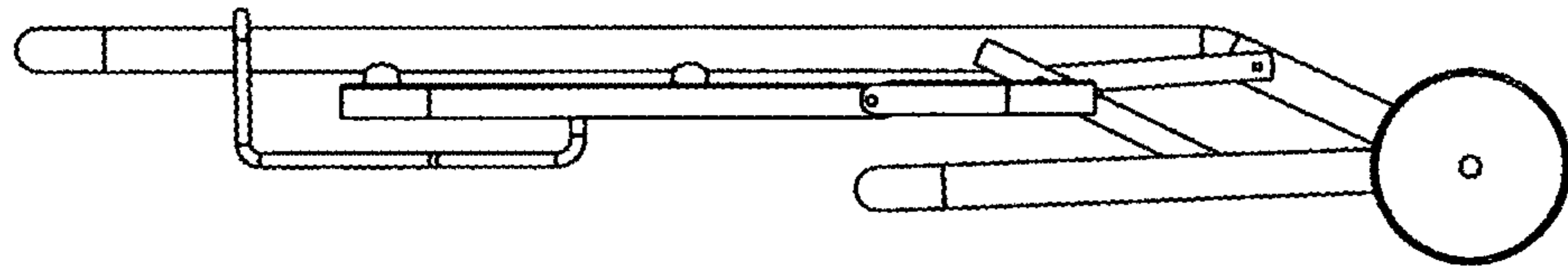


Fig. 5

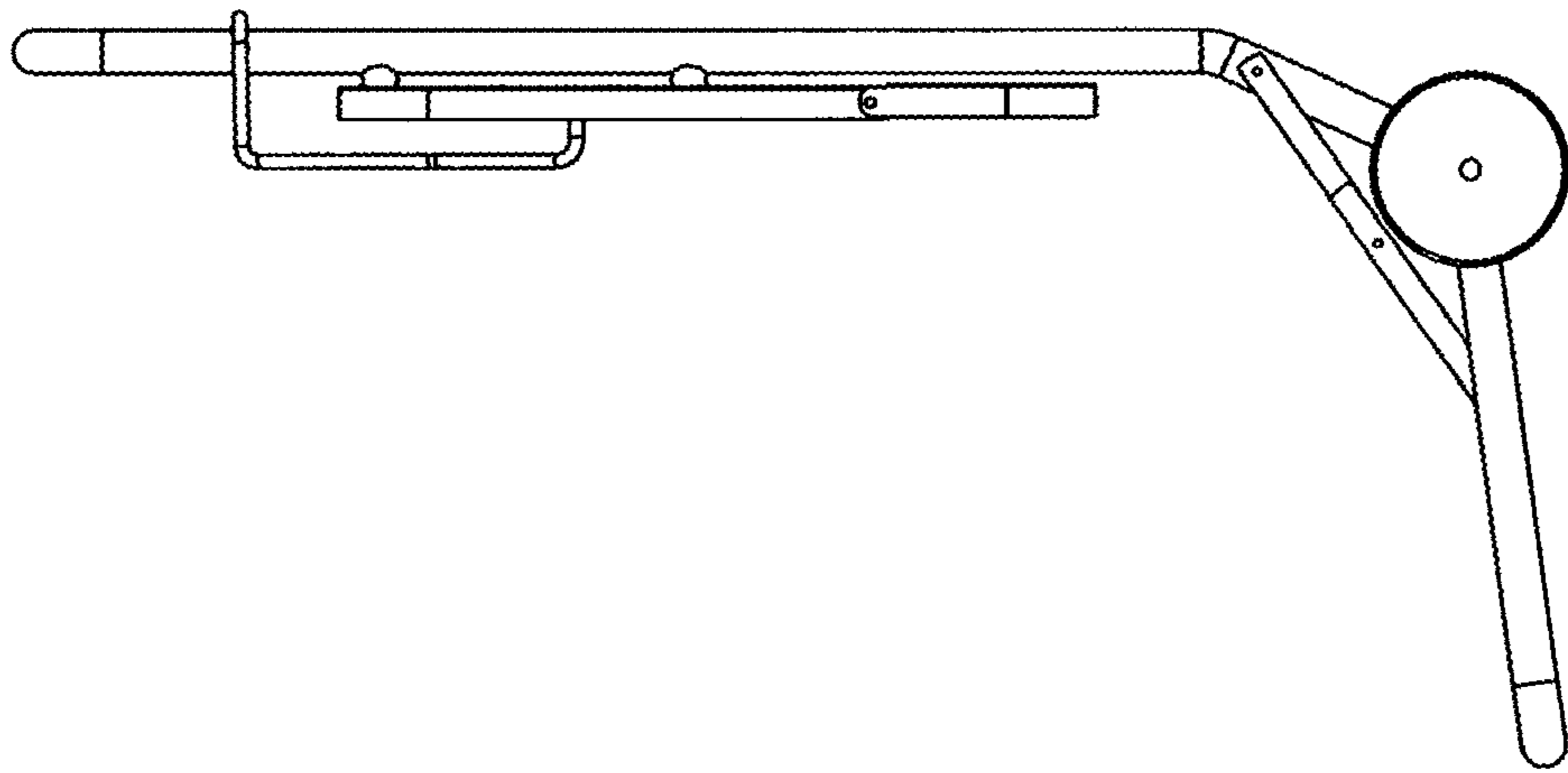


Fig. 6

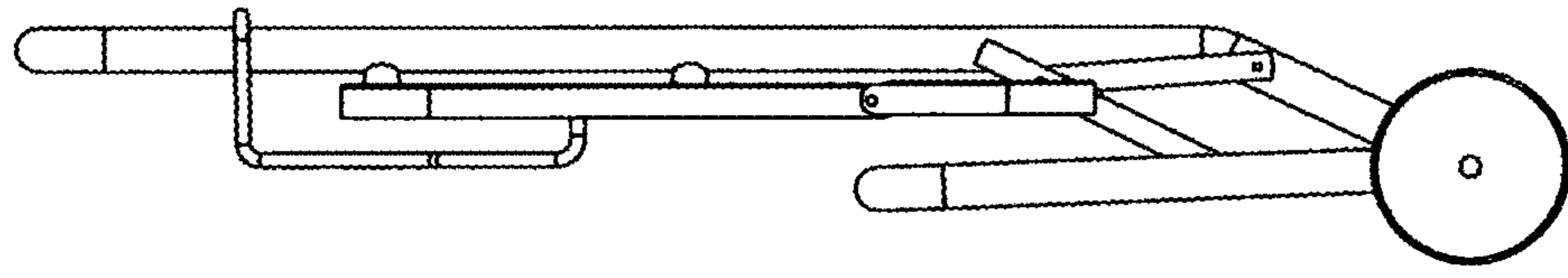


Fig. 7