



US00D819289S

(12) **United States Design Patent**
Umholtz et al.

(10) **Patent No.:** **US D819,289 S**

(45) **Date of Patent:** **** May 29, 2018**

(54) **DISH RACK**

(71) Applicants: **Mason Adam Umholtz**, Brooklyn, NY (US); **Edward Lee**, Brooklyn, NY (US)

(72) Inventors: **Mason Adam Umholtz**, Brooklyn, NY (US); **Edward Lee**, Brooklyn, NY (US)

(73) Assignee: **HELEN OF TROY LIMITED**, St. Michael (BB)

(**) Term: **15 Years**

(21) Appl. No.: **29/606,377**

(22) Filed: **Jun. 4, 2017**

(51) **LOC (11) Cl.** **07-05**

(52) **U.S. Cl.**
USPC **D32/55**

(58) **Field of Classification Search**
USPC D32/55, 276, 3; D6/510, 525; D30/133; 211/41.5, 41.4, 41.3, 41.8; 361/679.4; 312/311, 333, 334.4; D7/354, 629
CPC A47J 47/20; A47J 2201/00; A47J 47/00; B65D 35/02; B65D 35/22; B65D 35/56
See application file for complete search history.

(56) **References Cited**

U.S. PATENT DOCUMENTS

D586,061 S	*	2/2009	Curtin	D32/55
D599,067 S	*	8/2009	Yang	D32/55
D599,069 S	*	8/2009	Curtin	D32/55
D624,721 S	*	9/2010	Curtin	D32/55
D667,190 S	*	9/2012	Miller	D32/55
D677,443 S	*	3/2013	Urdaneta	D32/55

D690,069 S	*	9/2013	Sofy	D32/55
D693,081 S	*	11/2013	Yang	D32/55
D699,413 S	*	2/2014	Huang	D32/55
D714,508 S	*	9/2014	Joy	D32/55
D750,337 S	*	2/2016	Duvigneau	D32/55
D766,530 S	*	9/2016	Kent	D32/55
D783,216 S	*	4/2017	Huang	D32/55

* cited by examiner

Primary Examiner — Austin Murphy

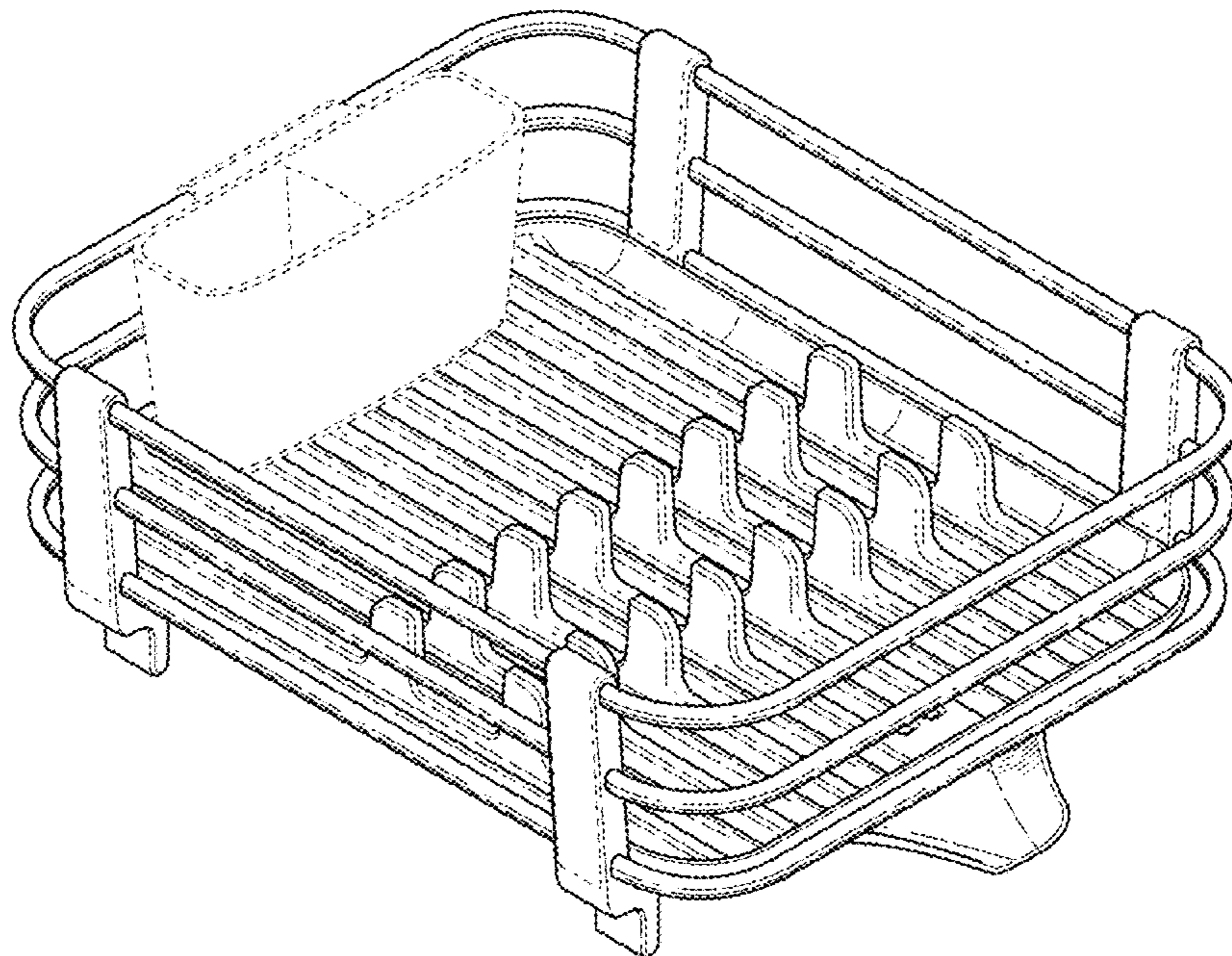
(57) **CLAIM**

The ornamental design for a dish rack, as shown and described.

DESCRIPTION

FIG. 1 is a perspective view of the dish rack with the drain tray in a parallel position;
 FIG. 2 is a front side view of the dish rack;
 FIG. 3 is a left side view of the dish rack;
 FIG. 4 is a right side view of the dish rack;
 FIG. 5 is a rear view of the dish rack;
 FIG. 6 is a top view of the dish rack;
 FIG. 7 is a bottom view of the dish rack;
 FIG. 8 is a perspective view of the dish rack with the drain tray in a perpendicular position;
 FIG. 9 is a front side view of the dish rack;
 FIG. 10 is a left side view of the dish rack;
 FIG. 11 is a right side view of the dish rack;
 FIG. 12 is a rear view of the dish rack;
 FIG. 13 is a top view of the dish rack; and,
 FIG. 14 is a bottom view of the dish rack.
 The broken lines depict environment and form no part of the claimed design.

1 Claim, 14 Drawing Sheets



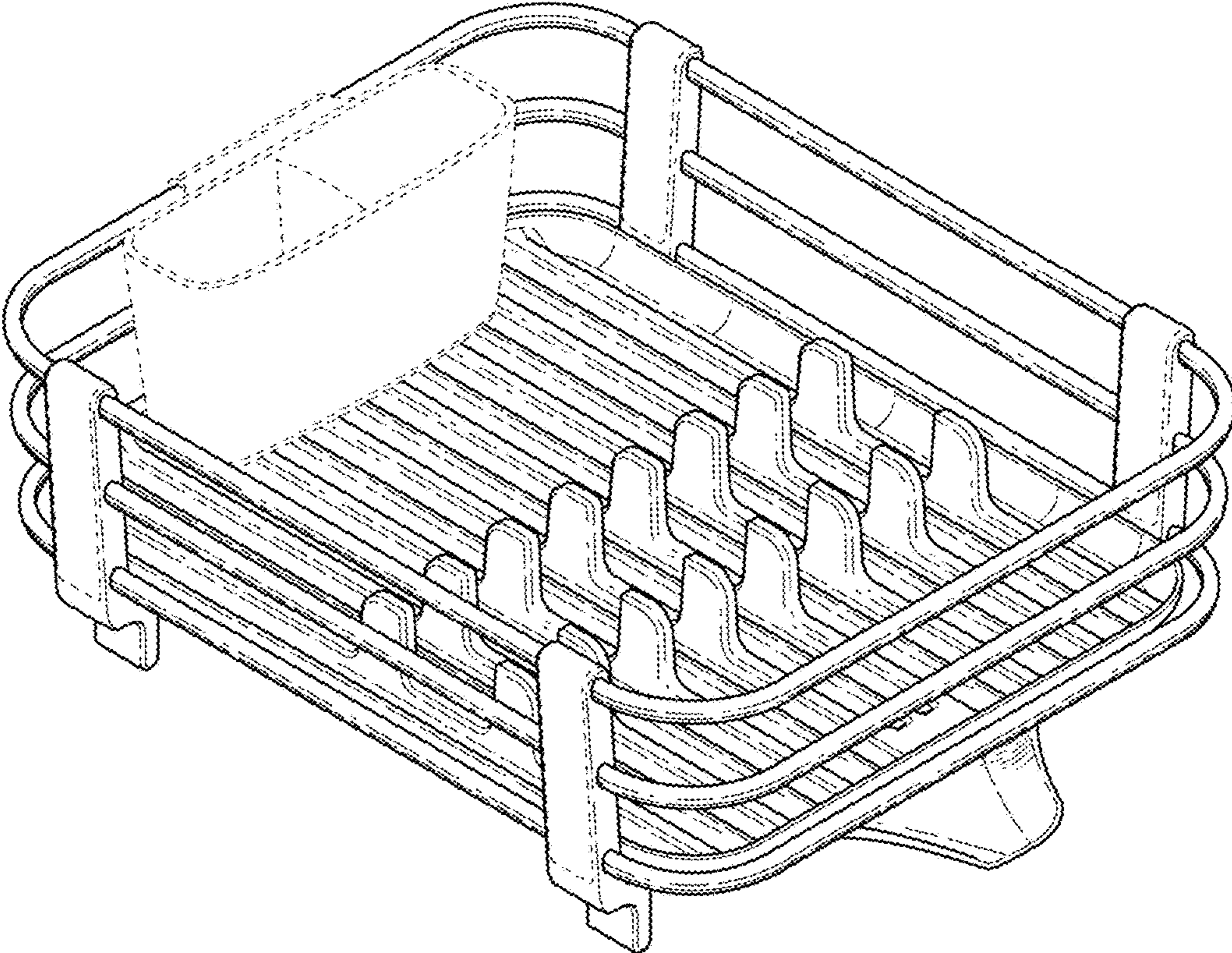


FIG. 1

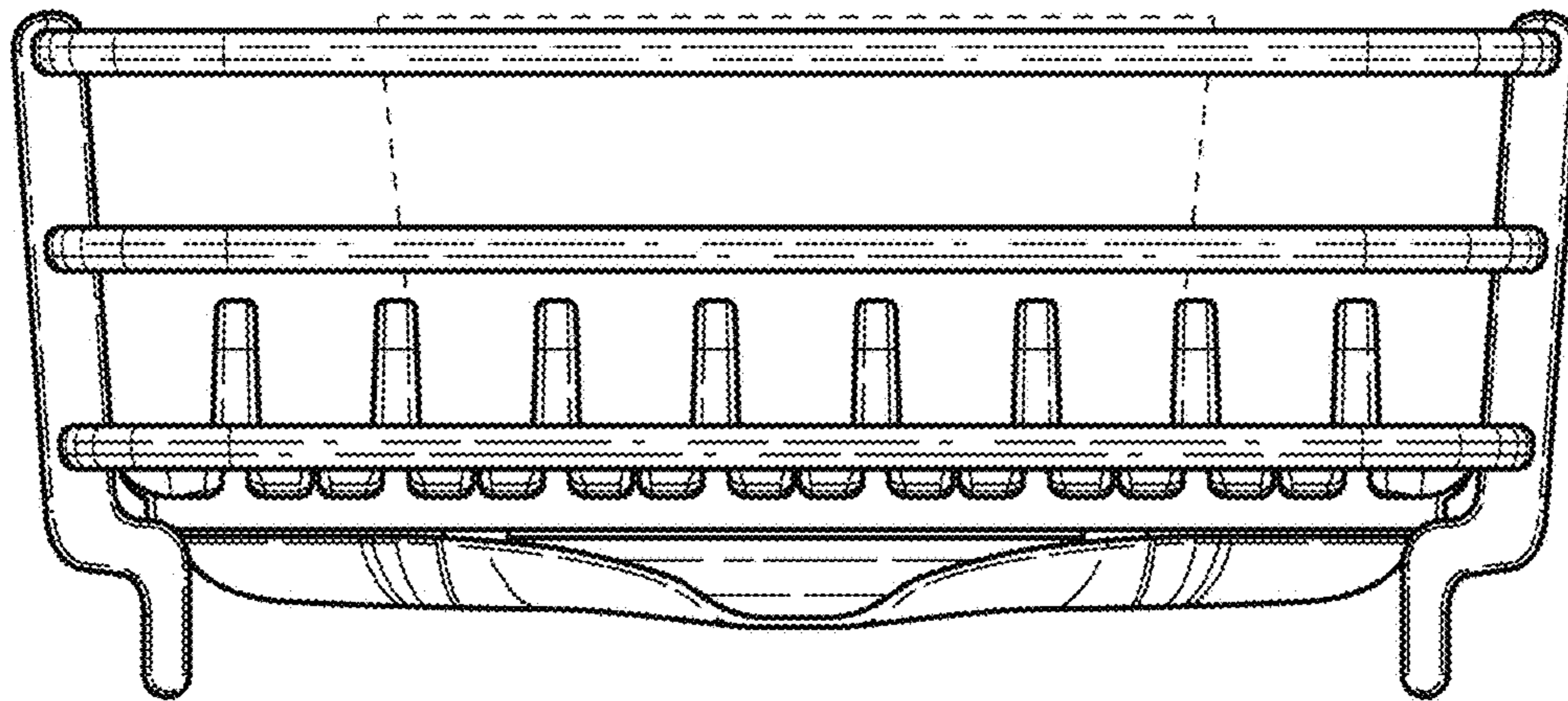


FIG. 2

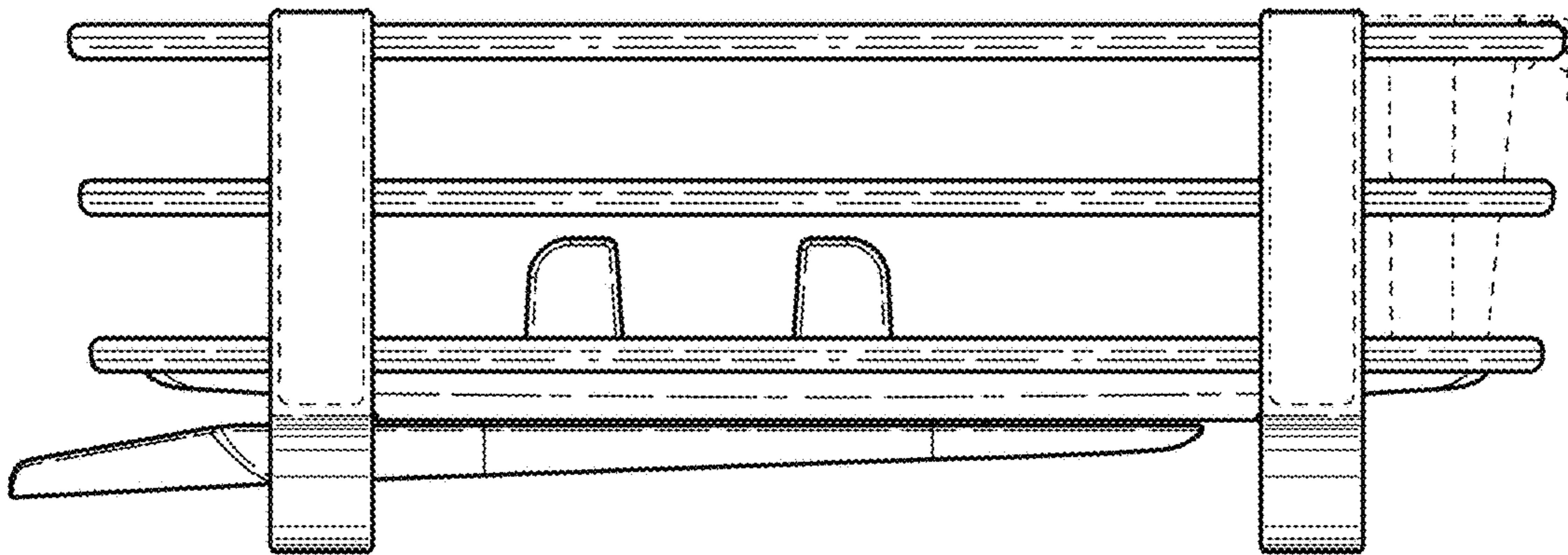


FIG. 3

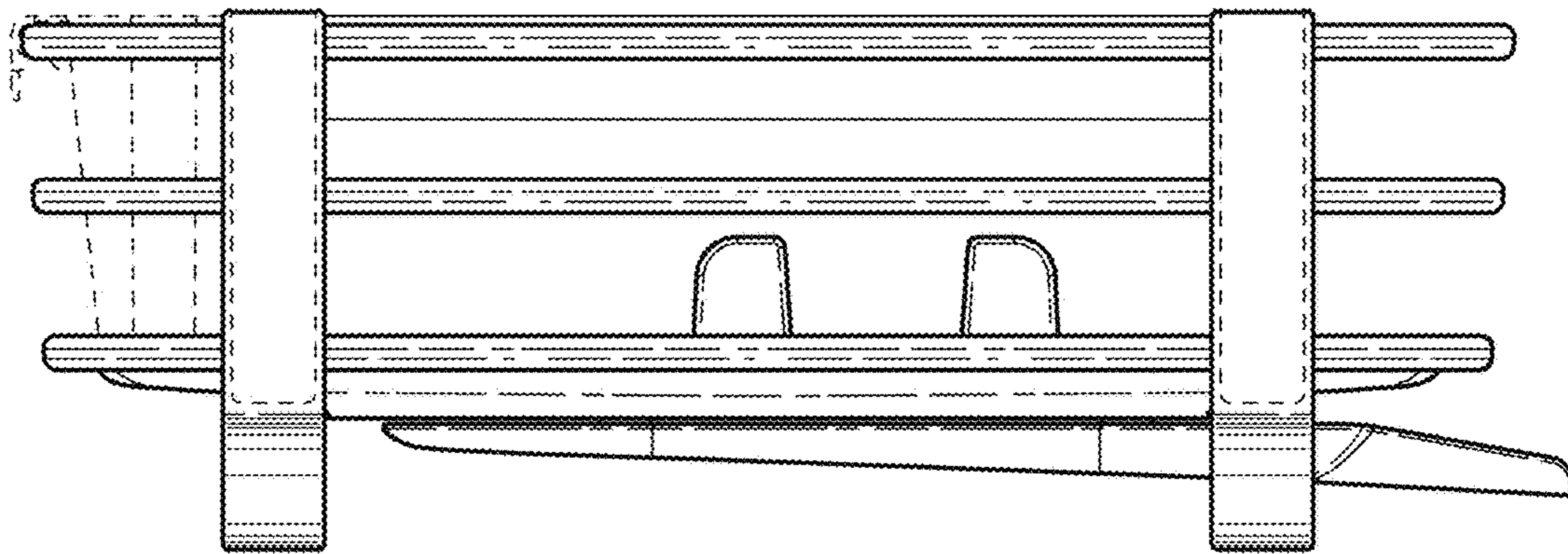


FIG. 4

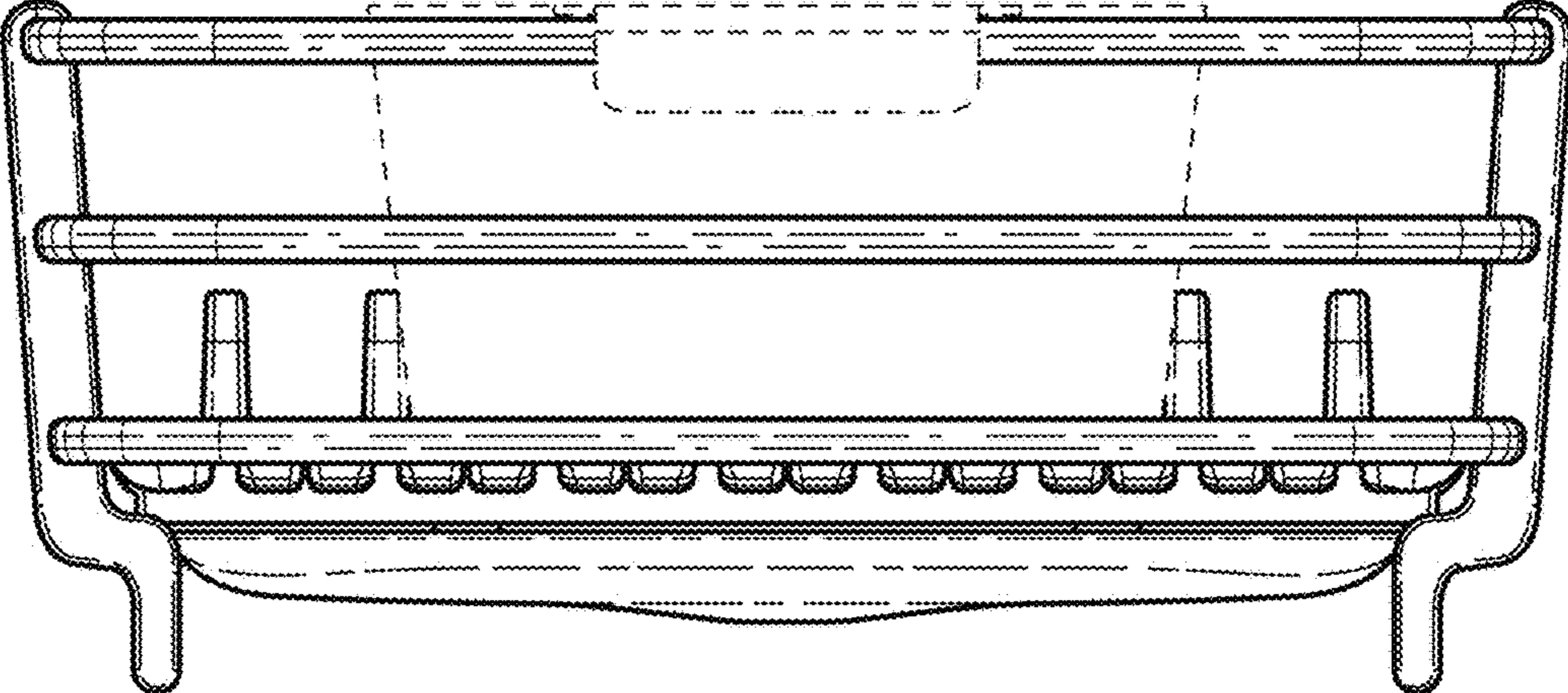


FIG. 5

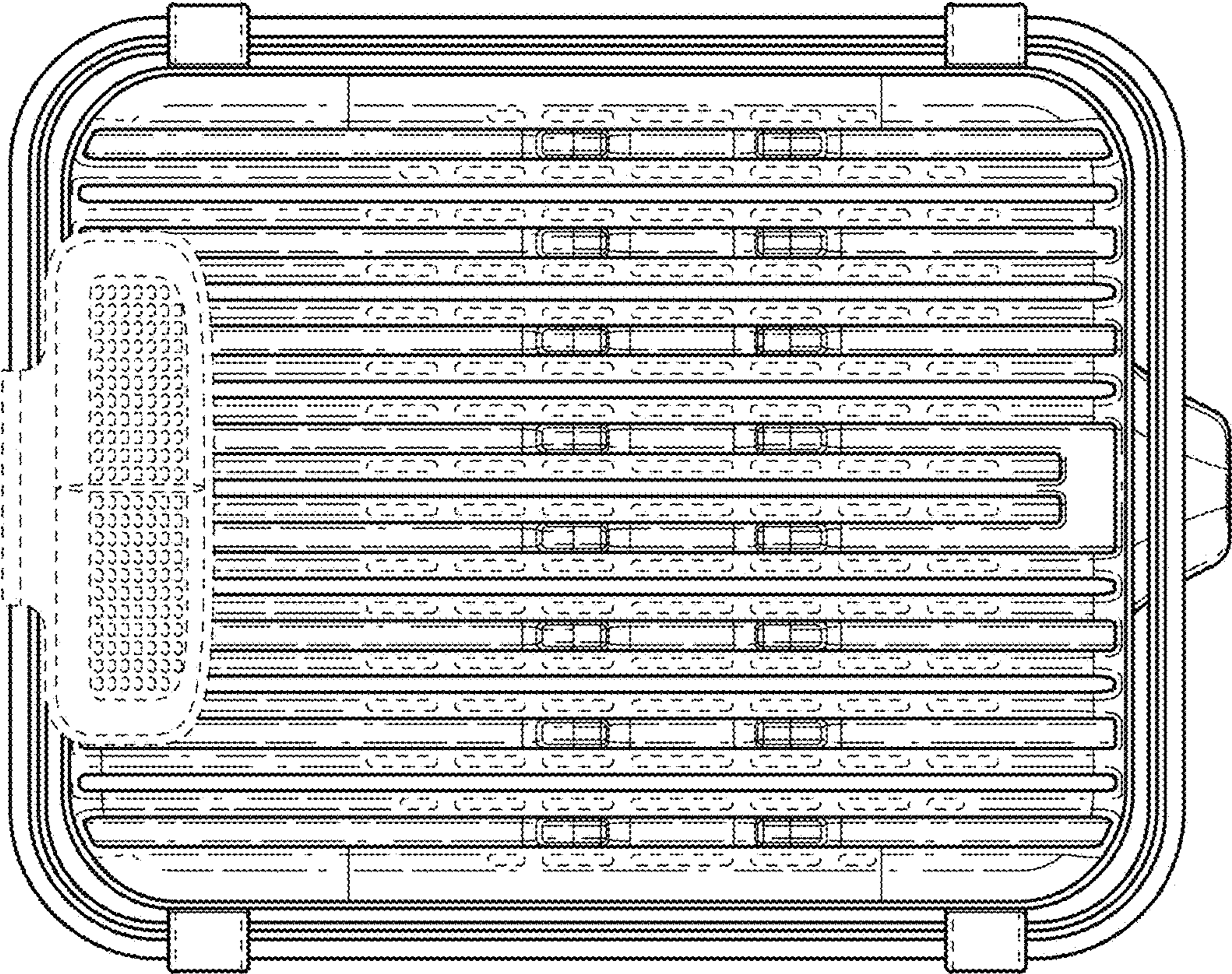


FIG. 6

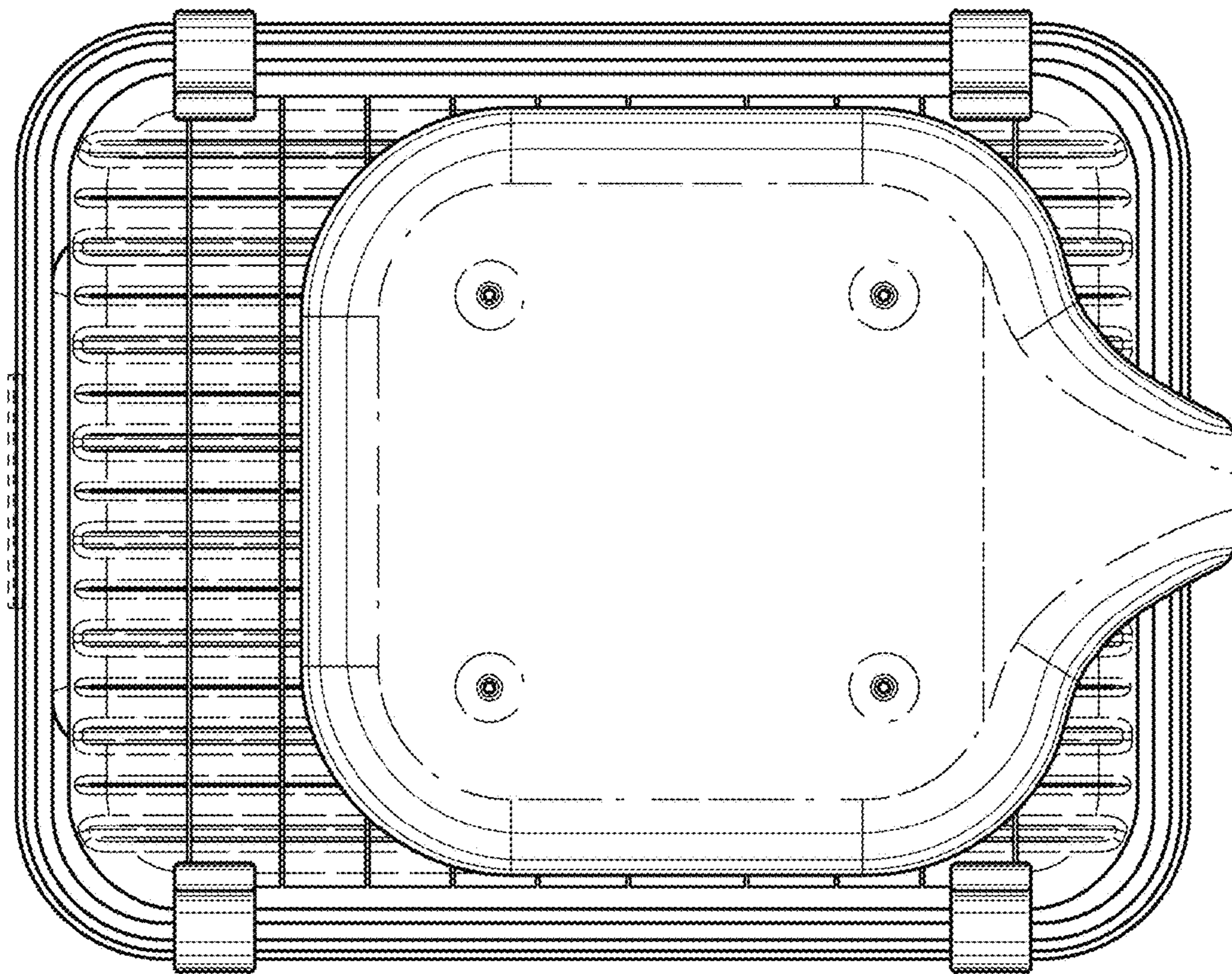


FIG. 7

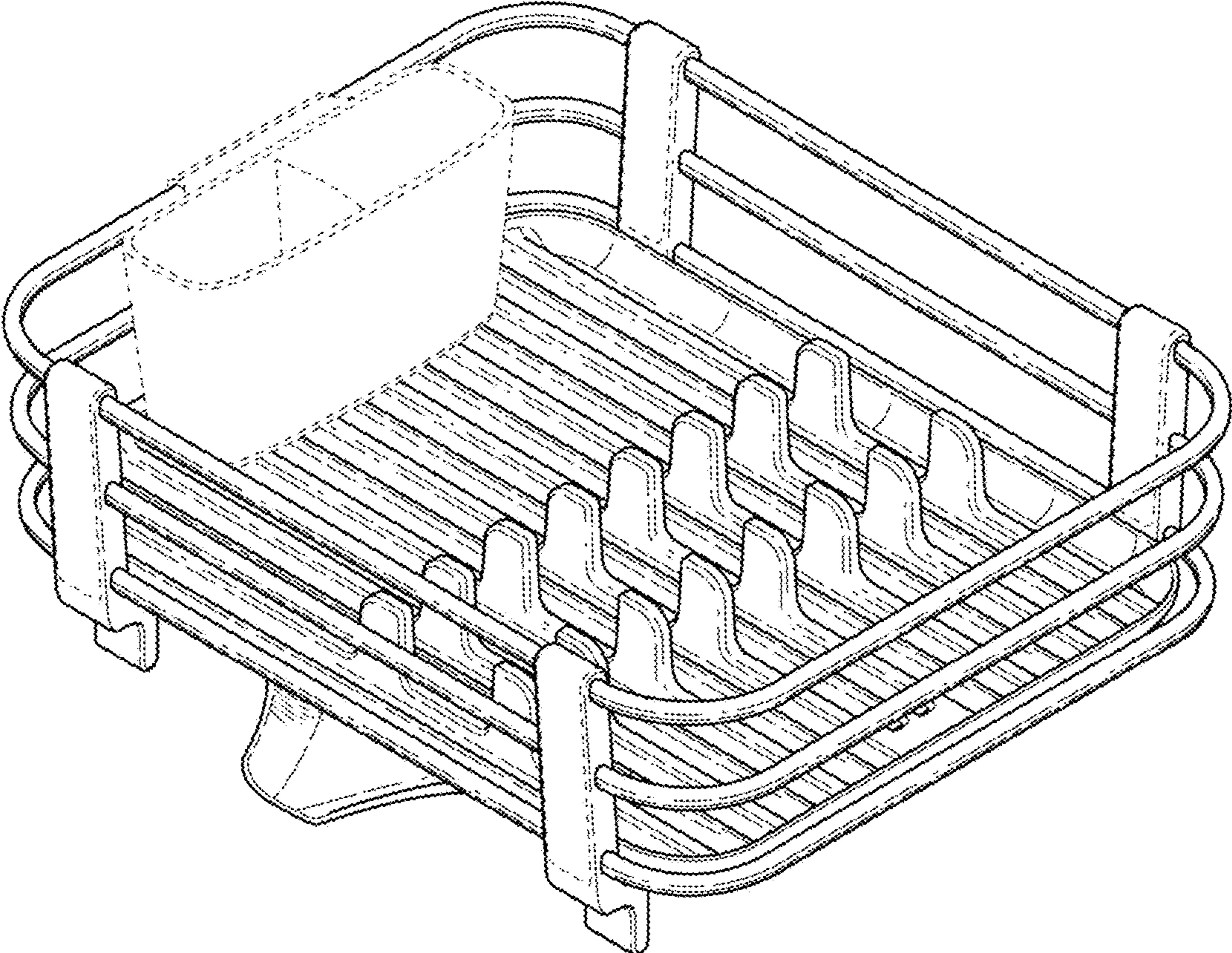


FIG. 8

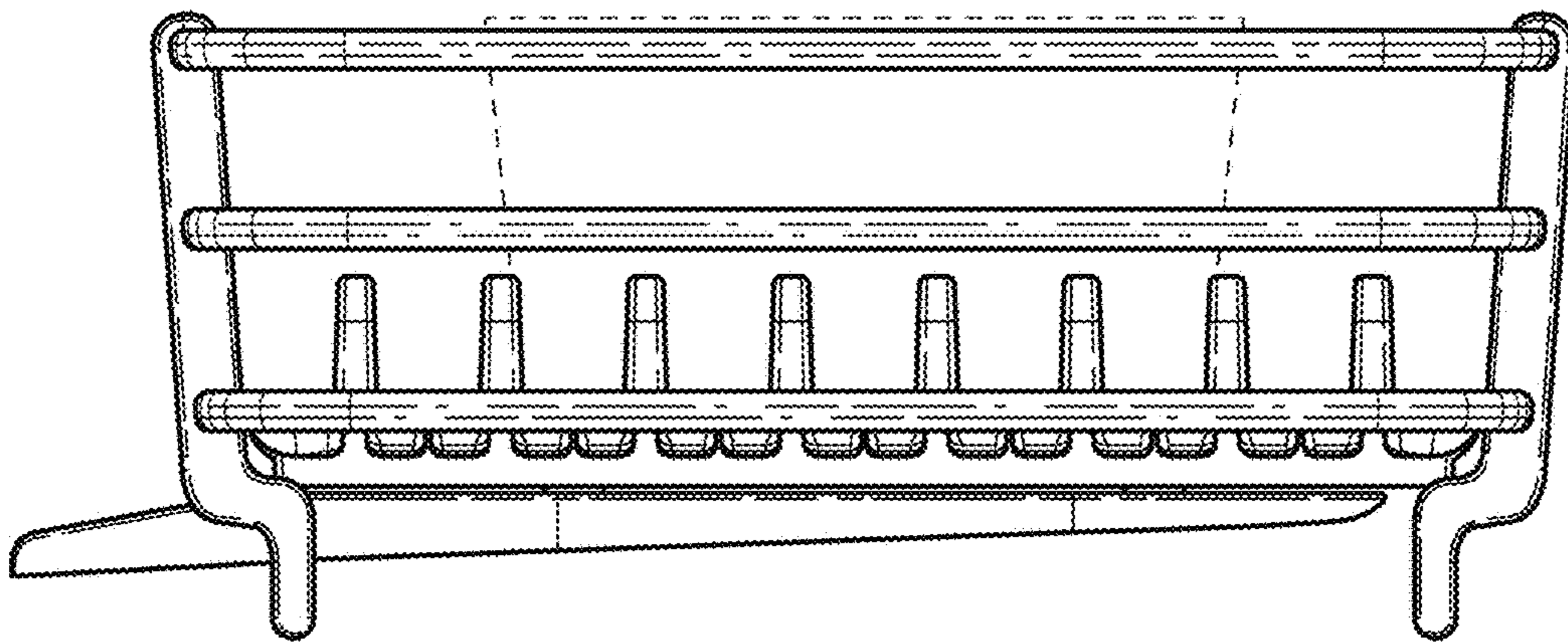


FIG. 9

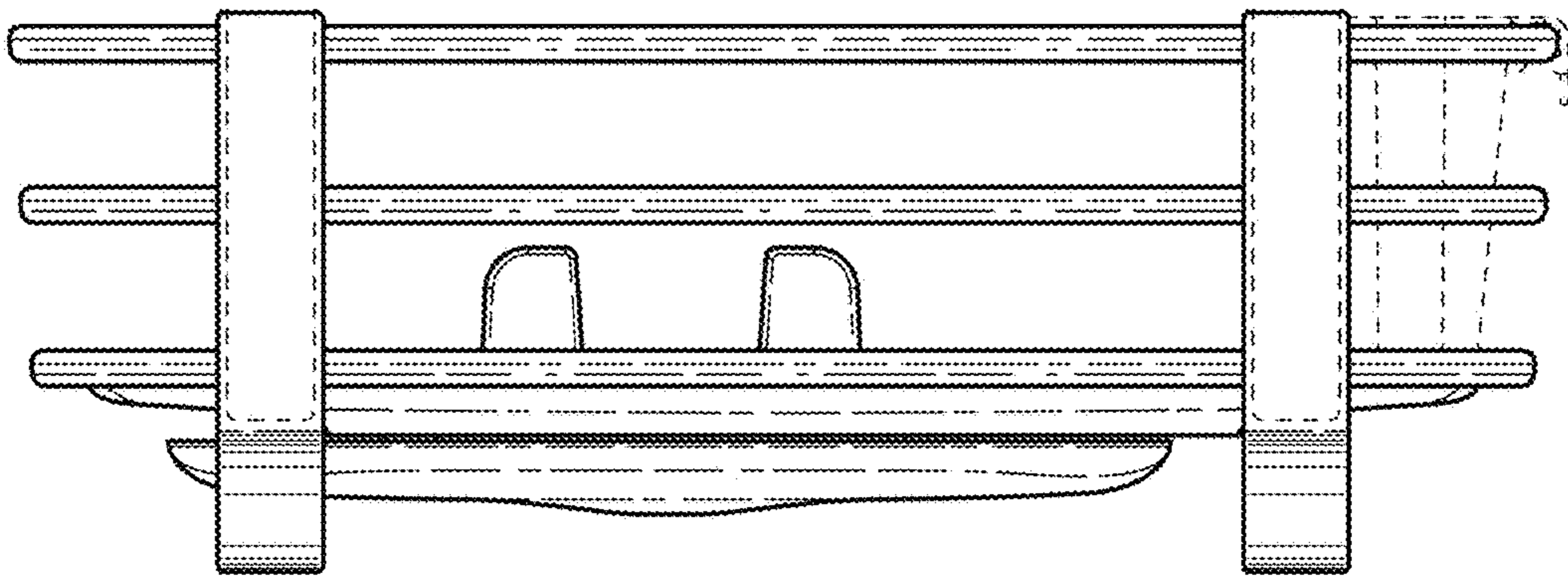


FIG. 10

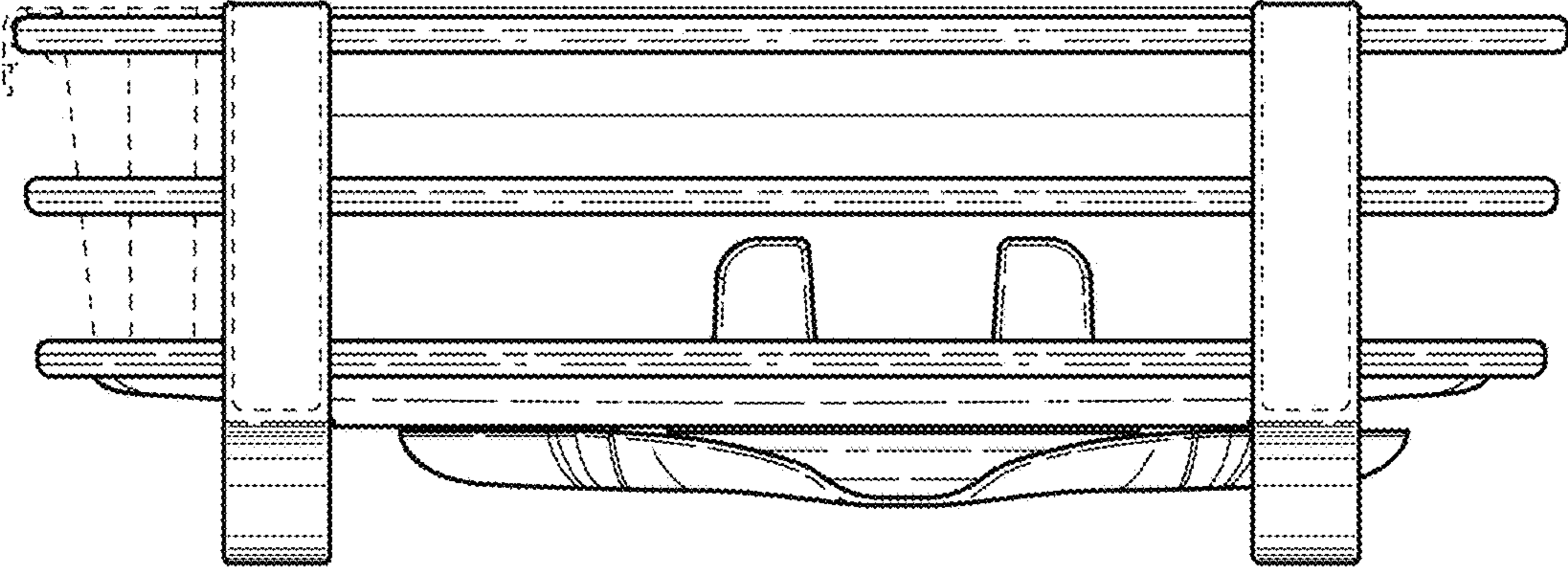


FIG. 11

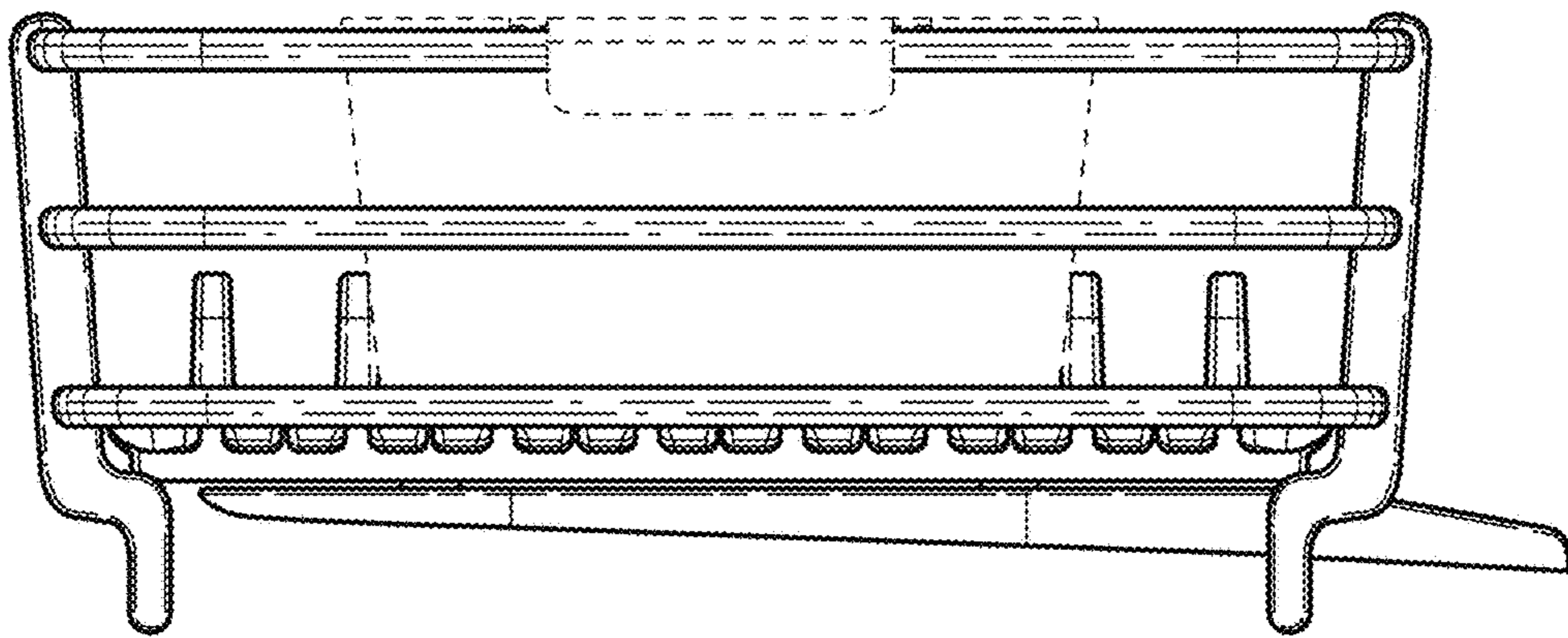


FIG. 12

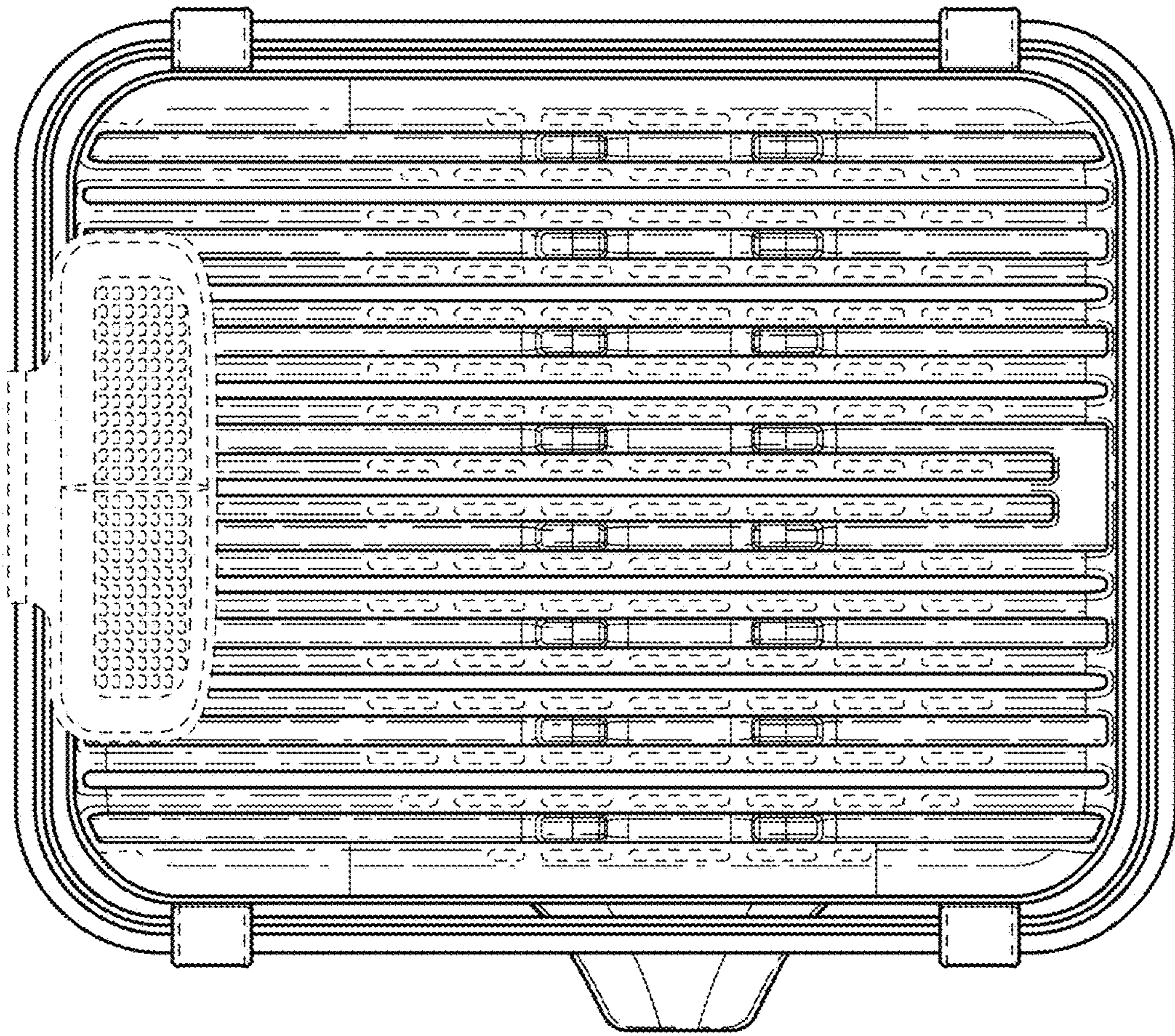


FIG. 13

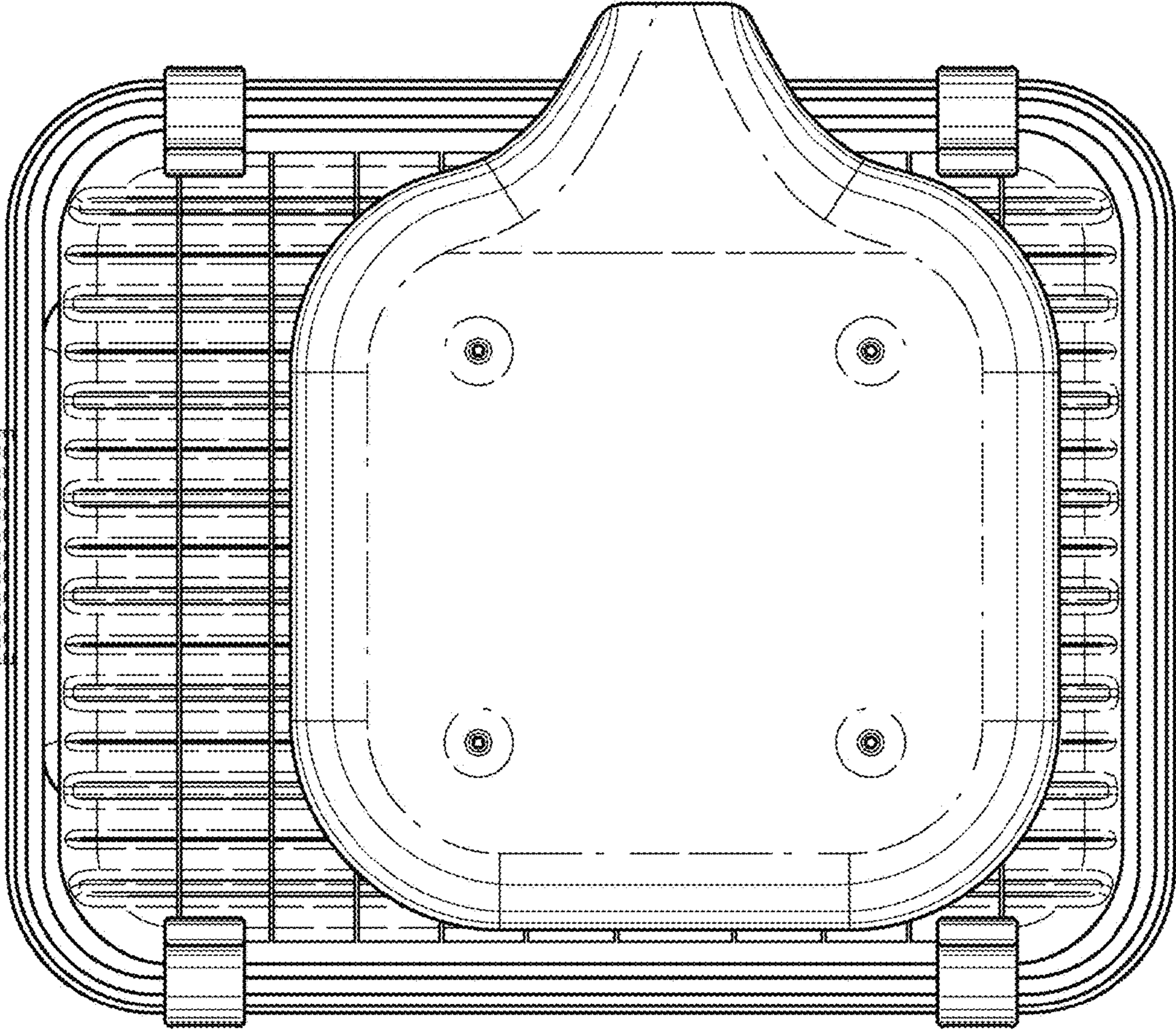


FIG. 14