



US00D819288S

(12) **United States Design Patent** (10) **Patent No.:** **US D819,288 S**
Rane et al. (45) **Date of Patent:** **** May 29, 2018**

(54) **UTILITY WRAP**
(71) Applicant: **YETI Coolers, LLC**, Austin, TX (US)
(72) Inventors: **Mark Carlson Rane**, Austin, TX (US);
Donald Edward Desroches, Austin, TX (US); **Roy Joseph Seiders**, Austin, TX (US); **Tobias Hotchkiss**, Austin, TX (US)

4,667,843 A 5/1987 Galer
D296,525 S 7/1988 Siegel
4,765,472 A * 8/1988 Dent A47J 47/18
206/373

(Continued)

FOREIGN PATENT DOCUMENTS

CN 102849303 A 1/2013
CN 203186671 U 9/2013

(Continued)

(73) Assignee: **YETI Coolers, LLC**, Austin, TX (US)

(**) Term: **15 Years**

(21) Appl. No.: **29/598,206**

(22) Filed: **Mar. 23, 2017**

(51) **LOC (11) Cl.** **07-07**

(52) **U.S. Cl.**

USPC **D32/53**

(58) **Field of Classification Search**

USPC D32/53, 53.1, 54; D22/136; D3/201,
D3/315; 206/372, 373, 349; 15/264;
220/904; D11/200, 212

CPC B25H 3/02

See application file for complete search history.

“Utility Pail 5 Gallon by Seachoice Products,” published prior to Feb. 27, 2017, retrieved from https://www.amazon.com/Utility-Pail-Gallon-Seachoice-Products/dp/B002IZFOGK/ref=sr_1_79?ie=UTF8&qid=1483581180&sr=8-79&keywords=utility+pail on Jun. 8, 2017.

(Continued)

Primary Examiner — Robin V Webster

(74) *Attorney, Agent, or Firm* — Banner & Witcoff, Ltd.

(57)

CLAIM

The ornamental design for a utility wrap, as shown and described.

DESCRIPTION

FIG. 1 is a top, front perspective view of a utility wrap showing our new design;

FIG. 2 is a top view thereof;

FIG. 3 is a bottom view thereof;

FIG. 4 is a front view thereof;

FIG. 5 is a rear view thereof;

FIG. 6 is a right side view thereof; and,

FIG. 7 is a left side view thereof.

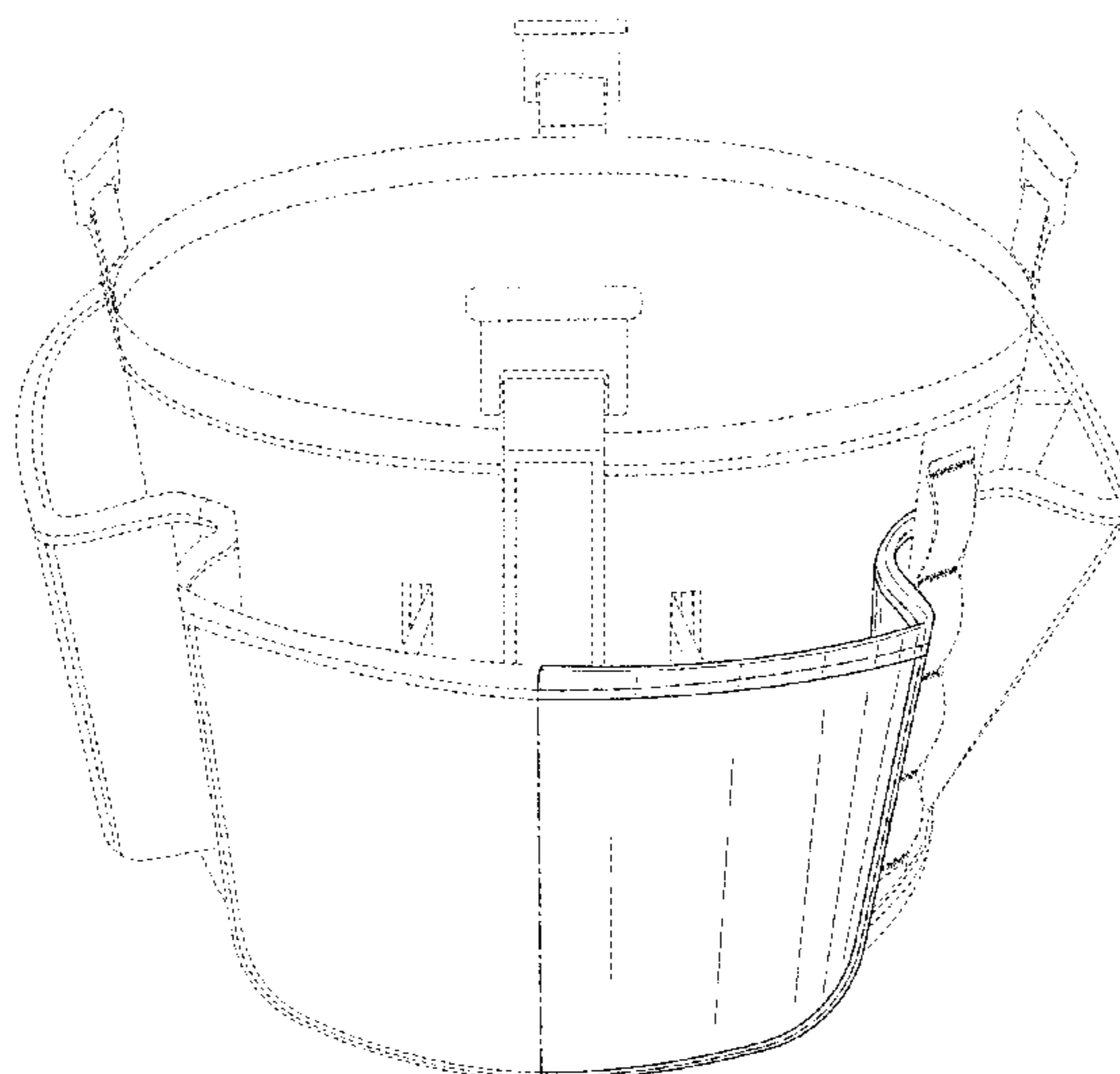
The uneven-length broken lines immediately adjacent to the shaded area represent unclaimed boundaries of the design. The even-length broken lines showing the remainder of the utility wrap represent unclaimed subject matter and form no part of the claimed design.

(56) **References Cited**

U.S. PATENT DOCUMENTS

143,959 A * 10/1873 Brown A47L 13/58
15/264
1,486,676 A 3/1924 Nilssen
1,781,583 A 11/1930 Hodgson
2,018,271 A 10/1935 Samuel
2,448,894 A 9/1948 Laus
D165,621 S * 1/1952 West 2/336
2,757,405 A 8/1956 Edwards
3,535,382 A 10/1970 Brown et al.
4,356,930 A 11/1982 Roper
4,524,882 A 6/1985 Buc
D289,455 S 4/1987 Freiler

1 Claim, 7 Drawing Sheets



(56)

References Cited

U.S. PATENT DOCUMENTS

4,767,015 A 8/1988 Ho
 4,887,735 A 12/1989 Illingworth
 4,890,355 A 1/1990 Schulten
 D306,272 S * 2/1990 Kruger D11/212
 4,911,295 A 3/1990 Venegoni
 D307,342 S 4/1990 Giallourakis
 4,993,551 A 2/1991 Lindsay
 5,158,193 A 10/1992 Chen
 5,174,447 A 12/1992 Fleming
 5,238,135 A 8/1993 Landis
 D345,237 S * 3/1994 Stein D32/53
 D352,143 S 11/1994 Arshinoff
 5,364,148 A 11/1994 Bartocci
 D354,596 S * 1/1995 Dancyger D32/53
 D355,062 S * 1/1995 Maire D32/53
 D355,735 S 2/1995 Shaffer et al.
 5,411,307 A 5/1995 Roberts
 D362,181 S 9/1995 Meyers et al.
 D365,506 S 12/1995 Spitere
 D371,185 S 6/1996 Mullins
 D376,454 S * 12/1996 Fierek D3/905
 D386,341 S 11/1997 Walker
 D389,058 S 1/1998 Landis
 5,704,496 A 1/1998 Latta
 5,730,309 A 3/1998 Jiradejnunt et al.
 5,738,401 A 4/1998 Fan
 D396,912 S * 8/1998 Maire D32/53
 5,816,439 A 10/1998 Lovell et al.
 5,833,095 A 11/1998 Russell et al.
 D402,986 S 12/1998 Doak
 5,860,559 A 1/1999 Wang
 5,873,482 A 2/1999 Conti
 5,921,017 A 7/1999 Clark et al.
 D414,337 S * 9/1999 Hubert D3/222
 5,971,200 A 10/1999 Reynolds
 D425,600 S 5/2000 Pas et al.
 6,059,109 A 5/2000 Stein
 6,085,902 A 7/2000 Fang
 6,151,910 A 11/2000 Hazen
 6,189,697 B1 2/2001 Davis
 6,257,440 B1 7/2001 Perkins et al.
 D446,617 S * 8/2001 Urbanski D32/53
 6,315,310 B1 * 11/2001 Hurt B62B 1/264
 206/373
 6,336,255 B1 1/2002 Gallup
 D454,812 S * 3/2002 Luk D11/212
 6,533,227 B1 3/2003 Rom
 6,536,590 B1 * 3/2003 Godshaw B25H 3/00
 206/373
 D475,851 S * 6/2003 Leighton D3/224
 6,688,483 B2 2/2004 Davis
 6,823,562 B1 11/2004 Smith et al.
 6,926,165 B2 8/2005 Conti
 6,938,761 B2 9/2005 Nish
 6,964,348 B2 11/2005 Breimon et al.
 7,073,205 B2 7/2006 Finn
 7,090,088 B2 8/2006 von Holdt, Jr.
 7,195,119 B2 * 3/2007 Lungo E06C 7/14
 182/129
 7,207,457 B2 4/2007 Schwarz
 7,232,169 B2 6/2007 Porter
 7,305,793 B1 12/2007 Macdonald
 D590,561 S 4/2009 Baltz
 7,805,813 B1 10/2010 Bunyard
 7,980,415 B2 7/2011 Crawley
 D649,726 S 11/2011 Manuel
 8,079,768 B1 12/2011 McLaughlin
 8,162,165 B2 4/2012 Reed
 8,181,819 B2 5/2012 Burney et al.
 8,210,391 B2 7/2012 Luburic
 8,251,269 B2 8/2012 Winneur
 8,308,010 B2 11/2012 Letica et al.
 8,342,350 B2 1/2013 Jain
 D677,895 S 3/2013 Camp, III
 D683,510 S 5/2013 Schick

8,459,486 B2 6/2013 Luburic et al.
 D688,592 S 8/2013 Placencia
 8,615,921 B1 12/2013 Weems
 D698,939 S 2/2014 Wainwright et al.
 8,662,300 B1 3/2014 Arena
 8,714,403 B2 5/2014 Amprimo
 8,806,803 B1 8/2014 Mitchell et al.
 8,844,717 B1 * 9/2014 Ross B25H 3/00
 182/129
 8,863,982 B2 10/2014 Baltz et al.
 8,863,983 B2 10/2014 Meers et al.
 8,869,985 B2 10/2014 Schick
 D722,833 S 2/2015 Miller
 8,978,194 B1 3/2015 Lentine
 D728,882 S 5/2015 Tsai
 9,067,462 B1 6/2015 Pressler et al.
 D739,510 S 9/2015 Bullock
 D772,561 S 11/2016 Polunsky et al.
 9,533,789 B2 1/2017 Selina et al.
 2002/0003098 A1 1/2002 Bell
 2002/0088729 A1 7/2002 Urbanski
 2004/0045084 A1 3/2004 Klosterman
 2005/0051441 A1 3/2005 Lamar
 2005/0056557 A1 3/2005 Jennings et al.
 2005/0133521 A1 6/2005 Schwarz
 2005/0279654 A1 12/2005 Robles
 2006/0163894 A1 7/2006 Mishek et al.
 2007/0246959 A1 10/2007 Arcaro et al.
 2008/0105694 A1 5/2008 Chen
 2009/0301912 A1 12/2009 Cornell
 2011/0000919 A1 1/2011 Whalen
 2012/0085774 A1 4/2012 Luburic et al.
 2012/0279976 A1 11/2012 DeSanti et al.
 2013/0037559 A1 2/2013 Fierek
 2013/0048657 A1 2/2013 Heiser, Jr. et al.
 2013/0119078 A1 5/2013 Cygan
 2013/0248284 A1 9/2013 Nichols, Jr.
 2014/0102925 A1 4/2014 Jacobson et al.
 2014/0124520 A1 5/2014 Allan
 2014/0217095 A1 8/2014 Scivoletto
 2014/0326189 A1 11/2014 Jain
 2015/0001121 A1 1/2015 Pietruch et al.
 2015/0053705 A1 2/2015 Wilson et al.
 2015/0107149 A1 4/2015 Garrett
 2015/0217903 A1 8/2015 Mazyck, III
 2015/0225125 A1 8/2015 Martinisko
 2016/0228756 A1 8/2016 Siscoe
 2016/0311584 A1 10/2016 Van Oosten
 2016/0368133 A1 12/2016 Welfel et al.

FOREIGN PATENT DOCUMENTS

CN 103662246 A 3/2014
 CN 303149621 4/2015
 CN 303214602 5/2015
 CN 303245878 6/2015
 CN 303263716 7/2015
 CN 303284668 7/2015
 CN 303284683 7/2015
 CN 303295744 7/2015
 CN 303295746 7/2015
 CN 303316701 8/2015
 CN 303316702 8/2015
 CN 303316749 8/2015
 CN 303316750 8/2015
 CN 303316751 8/2015
 CN 303336476 8/2015
 CN 303345543 8/2015
 CN 303517355 12/2015
 CN 303899235 10/2016
 CN 303910969 11/2016
 DE 202009009198 U1 11/2009
 DE 202013100609 U1 10/2013
 DE 20201320100609 U1 11/2013
 EP 779018 A 7/1957
 EP 2130777 A2 12/2009

(56)

References Cited

FOREIGN PATENT DOCUMENTS

JP 3116035 U 11/2005
 KR 200472092 Y1 4/2014

OTHER PUBLICATIONS

“United Solutions PN0020 White Five Gallon Plastic Industrial Pail—5 Gallon Plastic Bucket for Industrial in White,” published prior to Feb. 27, 2017, retrieved from [https://www.amazon.com/United-Solutions-PN0020-Plastic-Industrial/dp/B005SB1ORY/ref=sr_1_88?ie=UTF8&qid=1483581247&sr=8-88](https://www.amazon.com/United-Solutions-PN0020-Plastic-Industrial/dp/B005SB1ORY/ref=sr_1_88?ie=UTF8&qid=1483581247&sr=8-88&keywords=utility+pail)

&keywords=utility+pail on Jun. 8, 2017.

“Bucket Stacker Tool Organize with 4 Compartments, 3" Deep,” published prior to Feb. 27, 2017, retrieved from <http://www.all-spec.com/Catalog/Hand-Power-Tools/Pneumatic-Tools/Tool-Arms-Holders/15051-65685?gclid=C1rk0-n0qtECFUhWDQod6w4JOg> on Jun. 8, 2017.

“Built-in Bottom Handle 5 Gallon Buckets & Covers,” published prior to Feb. 27, 2017, retrieved from <http://www.usplastic.com/catalog/item.aspx?itemid=118844&catid=752> on Jun. 8, 2017.

“The Ultimate Bucket,” published prior to Feb. 27, 2017, retrieved from <https://web.archive.org/web/20111027180918/http://ultimatebucket.com:80/index.html> on Jun. 21, 2017.

“Custom Leathercraft 1118 30-Pocket Outside Bucket-Pockets,” published prior to Mar. 23, 2017, retrieved from https://www.walmart.com/ip/Custom-Leathercraft-1118-30-Pocket-Outside-Bucket-Pockets/19656756?action=product_interest&action_type=title&beacon_version=1.0.2

&bucket_id=irsbucketdefault&client_guid=62111ea2-f303-4793-8529-5a53e4d809c9&config_id=2&cu#about-item on Jun. 5, 2017. “61—Pocket In and Out Bucket Organizer,” published prior to this application’s filing date on Mar. 23, 2017, retrieved from <https://www.walmart.com/ip/Custom-Leathercraft-4122-61-Pocket-Bucket-Tool-Bag-61-Pocket-In-Out-Each/21659694> on Jun. 5, 2017.

“Apollo Tools Bucket Organizer,” published prior to this application’s filing date on Mar. 23, 2017, retrieved from <https://www.walmart.com/ip/Apollo-Tools-Bucket-Organizer/22848212> on Jun. 5, 2017.

“Apollo Tools Bucket Organizer, Pink,” published prior to this application’s filing date on Mar. 23, 2017, retrieved from <https://www.walmart.com/ip/Apollo-Tools-Bucket-Organizer/22848213> on Jun. 5, 2017.

“Bucket Organizer Wrap Milwaukee Tool Holders 48-22-817504524279580,” published prior to this application’s filing date on Mar. 23, 2017, retrieved from <https://www.walmart.com/ip/Bucket-Organizer-Wrap-Milwaukee-Tool-Holders-48-22-8175-04524279580/120876362> on Jun. 5, 2017.

“Fiskars Garden Bucket Caddy, Bucket Not Included (9424),” published prior to this application’s filing date on Mar. 23, 2017, retrieved from <https://www.amazon.com/Fiskars-Garden-Bucket-Caddy-Included/dp/B00005YX30> on Jun. 5, 2017.

“Walmart Bucket Organizers” published prior to Mar. 23, 2017, retrieved from <https://www.walmart.com/search/?query=Bucket%20Organizers&u1=&oid=223073.1&wmlspartner=TQiP6m79tRs&sourceid=06586858561623118499&affillinktype=10&veh=aff> on Apr. 7, 2017.

* cited by examiner

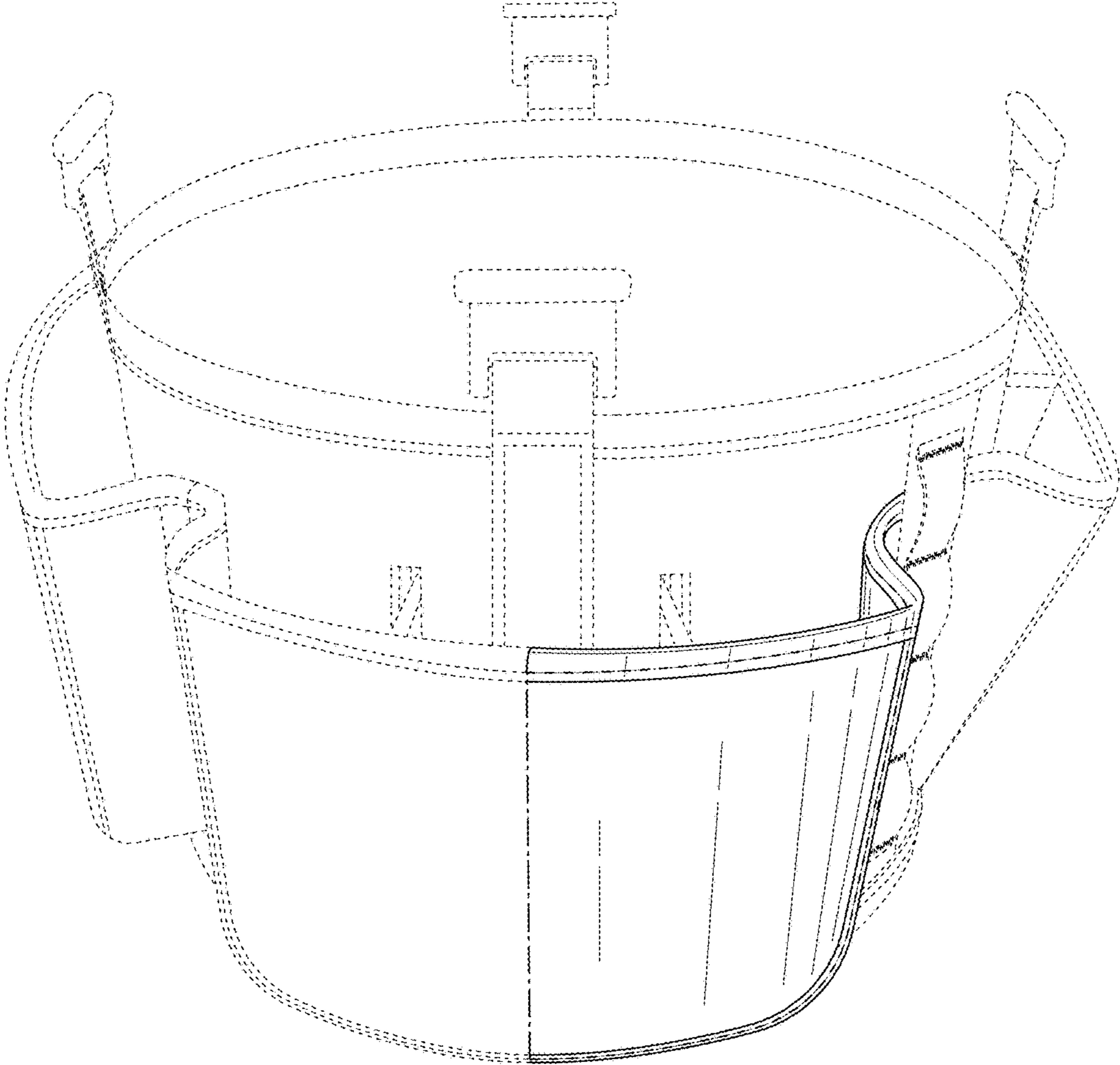


FIG. 1

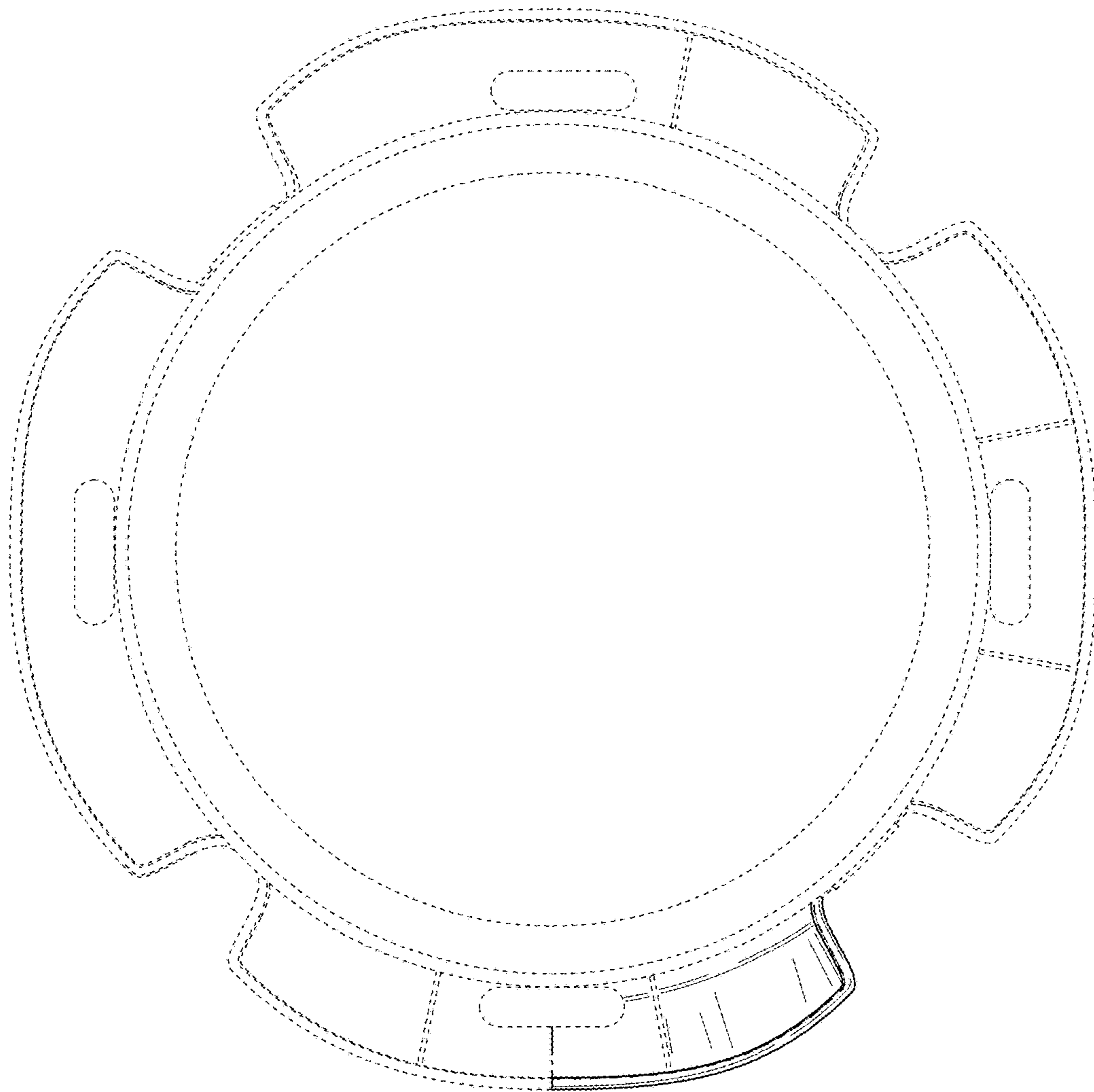


FIG. 2

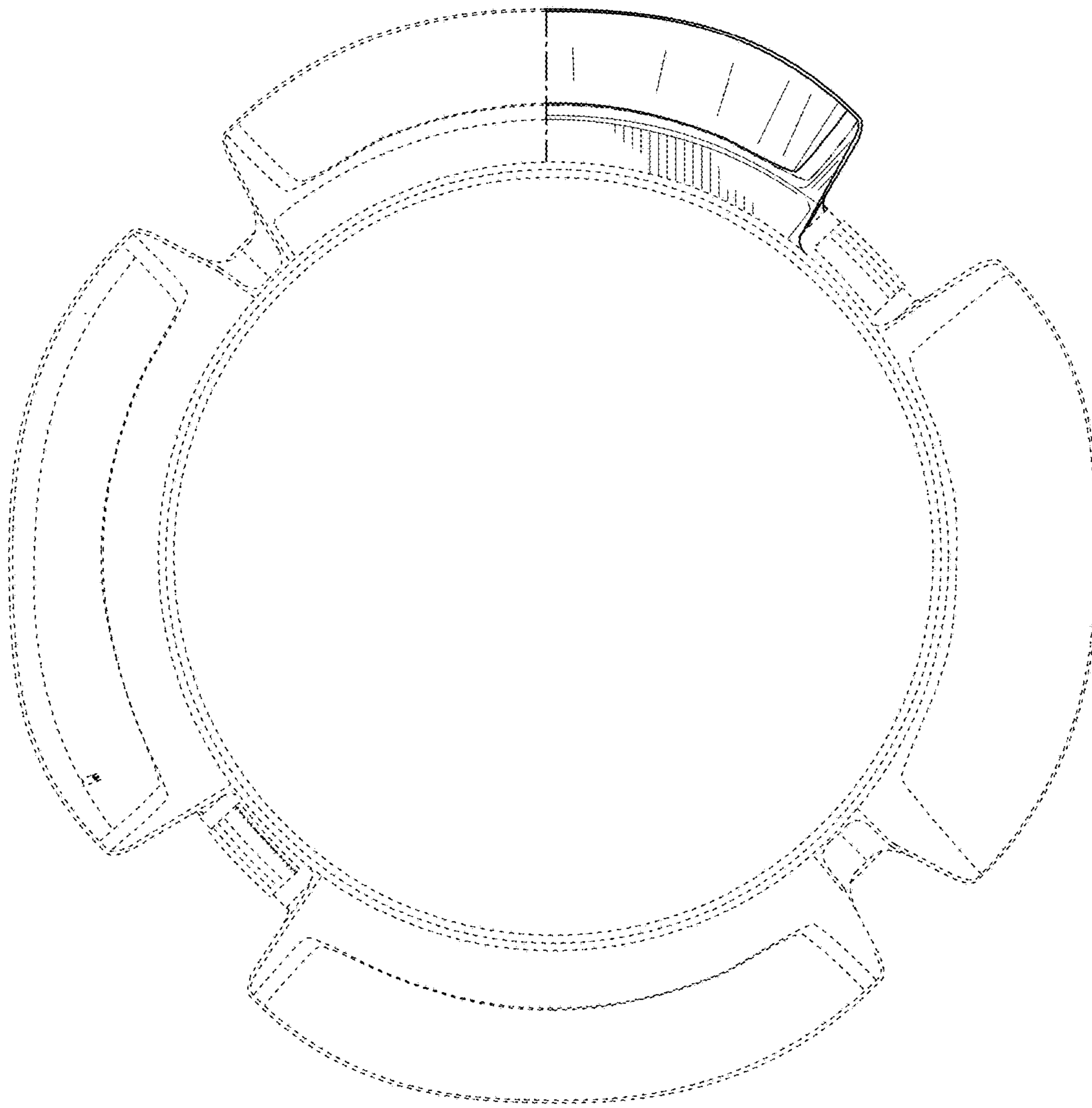


FIG. 3

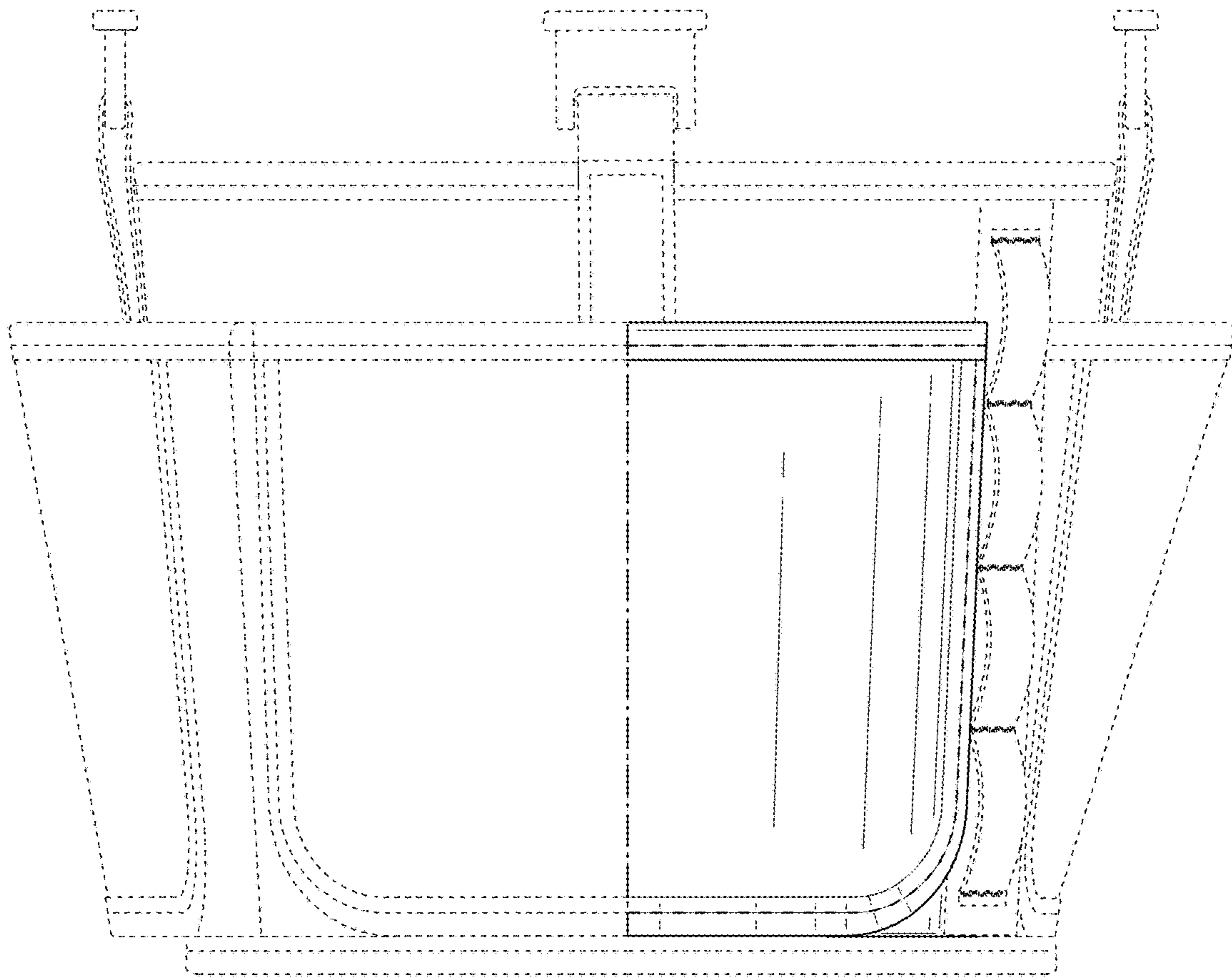


FIG. 4

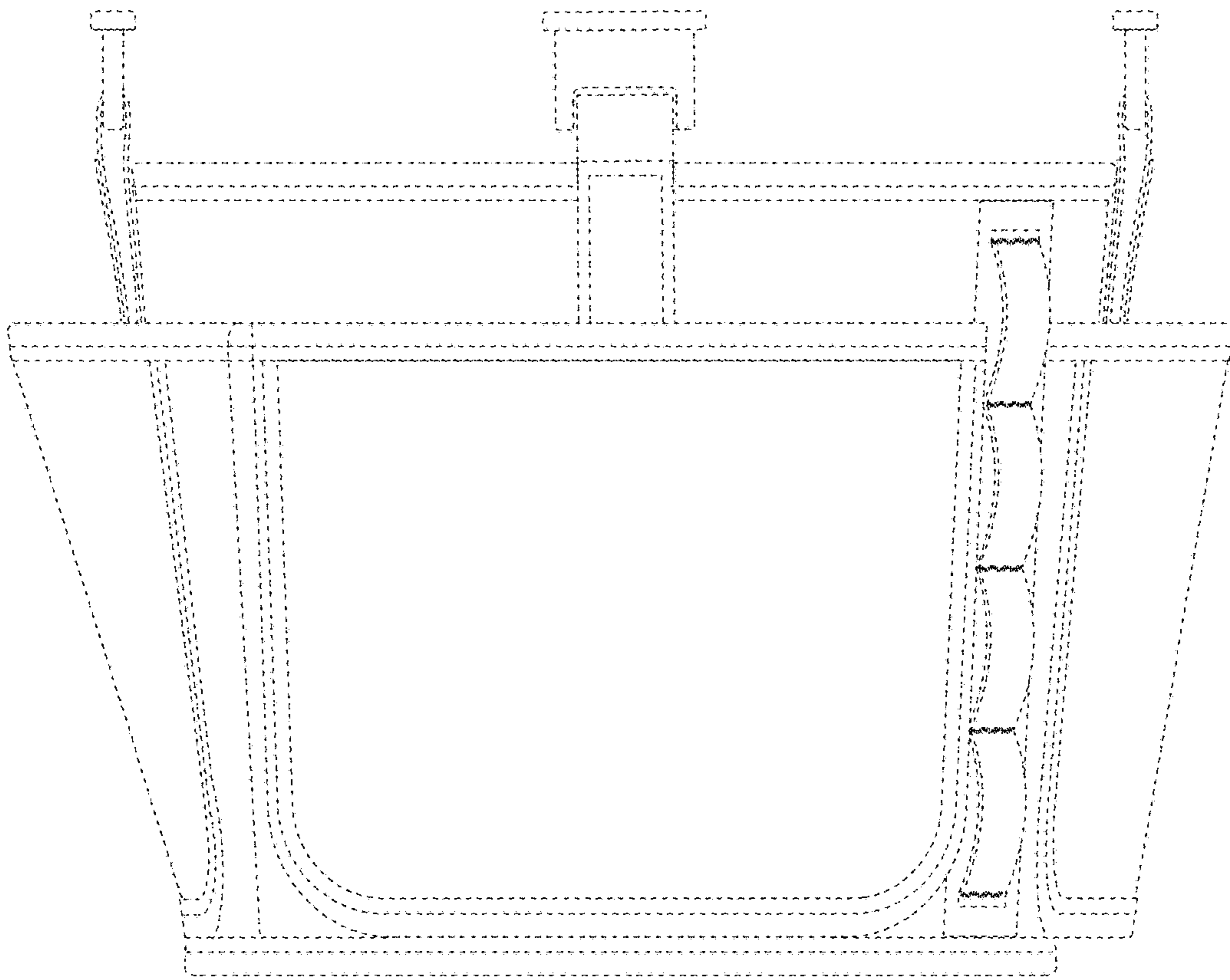


FIG. 5

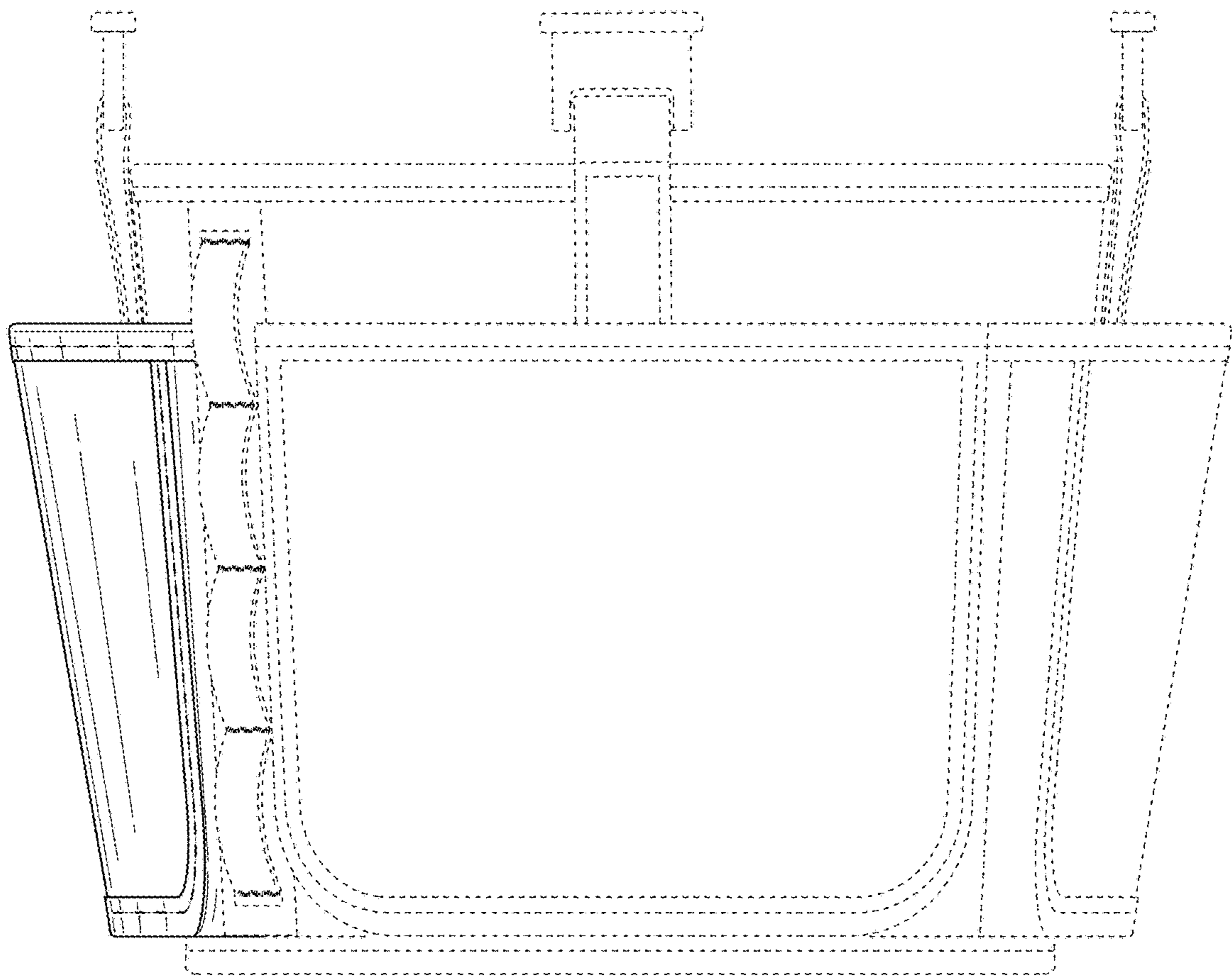


FIG. 6

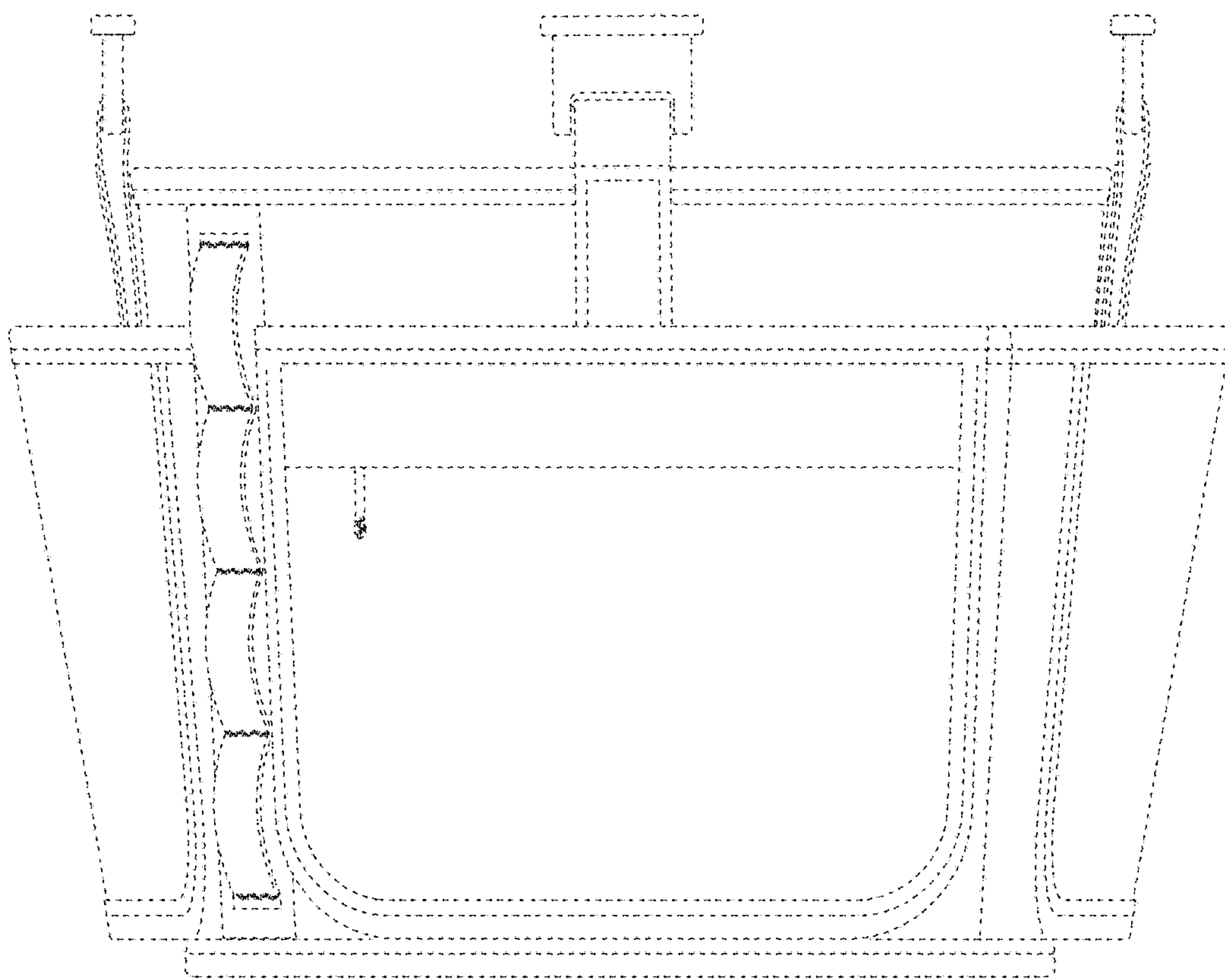


FIG. 7