



US00D819287S

(12) **United States Design Patent** (10) **Patent No.:** **US D819,287 S**
King (45) **Date of Patent:** **** May 29, 2018**

(54) **LARGE SURFACE ICE BREAKER AND PROTECTIVE SHIELD**

(71) Applicant: **David King**, Springdale, AR (US)

(72) Inventor: **David King**, Springdale, AR (US)

(**) Term: **15 Years**

(21) Appl. No.: **29/582,144**

(22) Filed: **Oct. 25, 2016**

(51) **LOC (11) Cl.** **07-05**

(52) **U.S. Cl.**
USPC **D32/46**

(58) **Field of Classification Search**
USPC D32/40-49, 25, 30, 32-33; D7/683, 653;
D8/11-13, 394-396

See application file for complete search history.

(56) **References Cited**

U.S. PATENT DOCUMENTS

D287,310 S	*	12/1986	Miller	D32/47
D297,277 S	*	8/1988	Vannett	D32/47
D349,592 S	*	8/1994	Stoll	15/236.05
D368,344 S	*	3/1996	Hansen	D32/41
D390,191 S	*	2/1998	Byfield, Jr.	D13/147
D399,443 S	*	10/1998	Stoica	D10/103
D426,757 S	*	6/2000	McGrellis	D32/46
D426,758 S	*	6/2000	Mitchell	D32/46
D550,415 S	*	9/2007	Huang	D32/40
D551,811 S	*	9/2007	Bohnen	D32/14.1
D612,118 S	*	3/2010	Williams	D32/41
D623,372 S	*	9/2010	Murray	D32/46
D674,565 S	*	1/2013	Koenig	D32/40
D685,544 S	*	7/2013	Clarke	D32/40
D685,551 S	*	7/2013	Myers	D32/40
D690,067 S	*	9/2013	Tekulve	D32/40
D708,804 S	*	7/2014	Piro	D20/27
D799,132 S	*	10/2017	Kruger	D32/46
D802,238 S	*	11/2017	McBrady	D32/43
2007/0125224 A1	*	6/2007	Thomas	F41H 5/08 89/36.07

FOREIGN PATENT DOCUMENTS

CN	300734990	*	12/2008
CN	301260505	*	6/2010

* cited by examiner

Primary Examiner — John Windmuller

Assistant Examiner — John R Yeh

(74) *Attorney, Agent, or Firm* — Wright Lindsey Jennings, LLP; Meredith Lowry

(57) **CLAIM**

The ornamental design for a large surface ice breaker and protective shield, as shown and described.

DESCRIPTION

FIG. 1 is a perspective view of the large surface ice breaker and protective shield;

FIG. 2 is a front elevational view thereof;

FIG. 3 is a back elevational view thereof;

FIG. 4 is a left view thereof;

FIG. 5 is a right side view thereof;

FIG. 6 is a top plan view thereof;

FIG. 7 is a bottom plan view thereof;

FIG. 8 is a perspective view of the large surface ice breaker in a connected arrangement;

FIG. 9 is a front elevational view thereof, the back elevational view being a mirror image thereof;

FIG. 10 is a left side view thereof, the right side view being a mirror image thereof; and,

FIG. 11 is a top plan view thereof, the bottom plan view being a mirror image thereof.

The dashed lines in FIGS. 8-11 represent environment of the large surface ice breaker and protective shield and form no part of the claimed design.

1 Claim, 6 Drawing Sheets

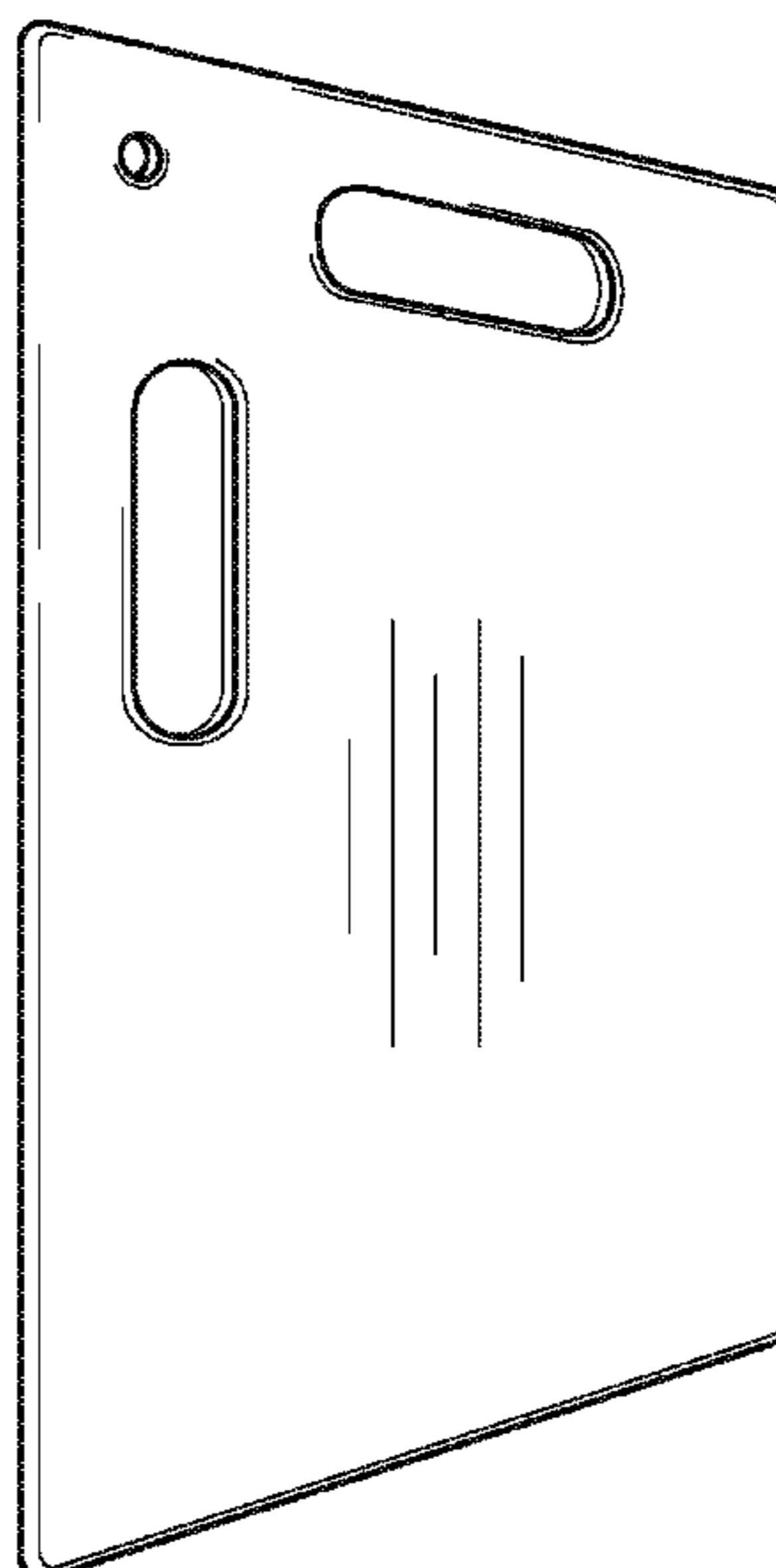


FIG. 1

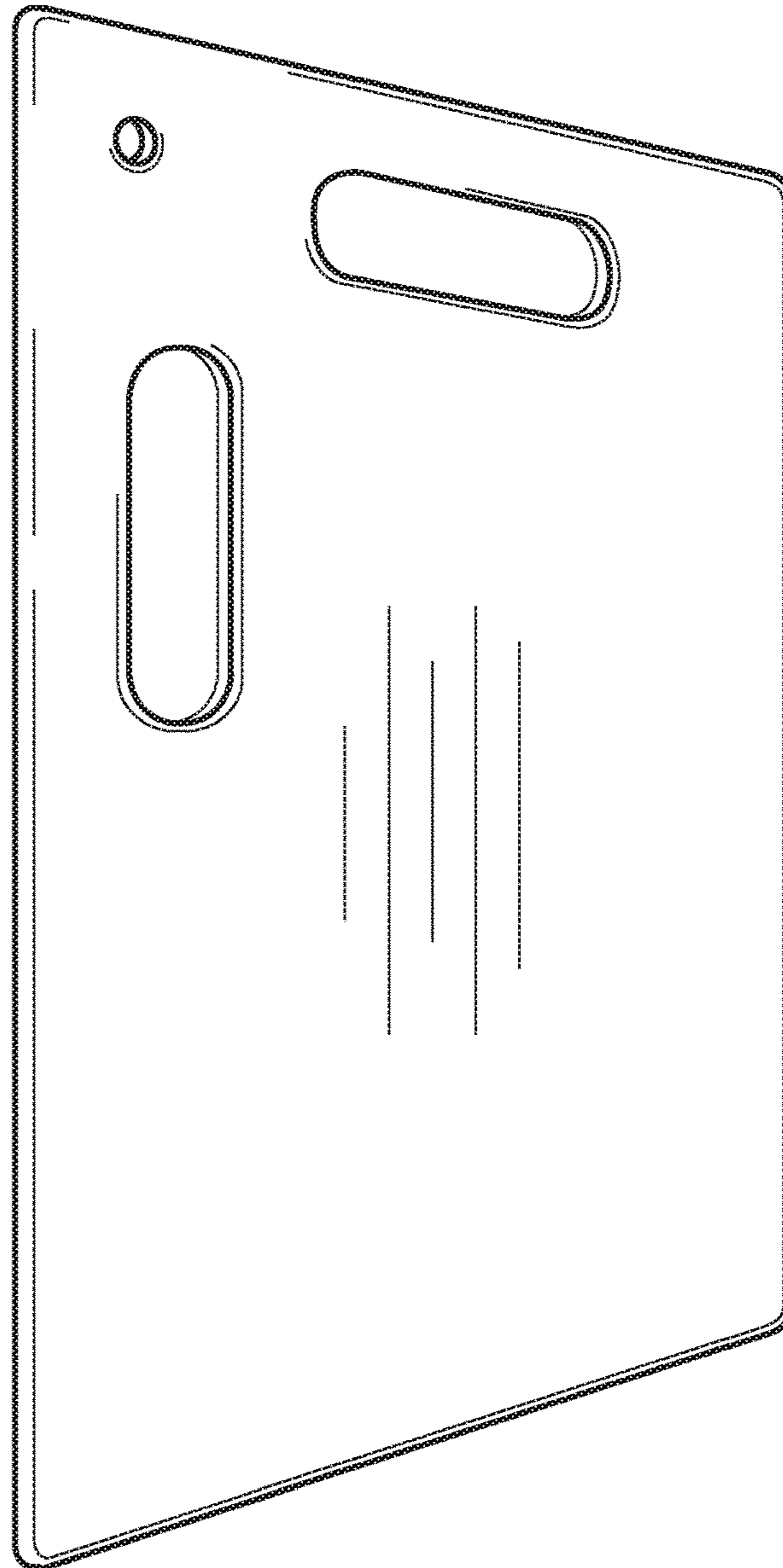


FIG. 2

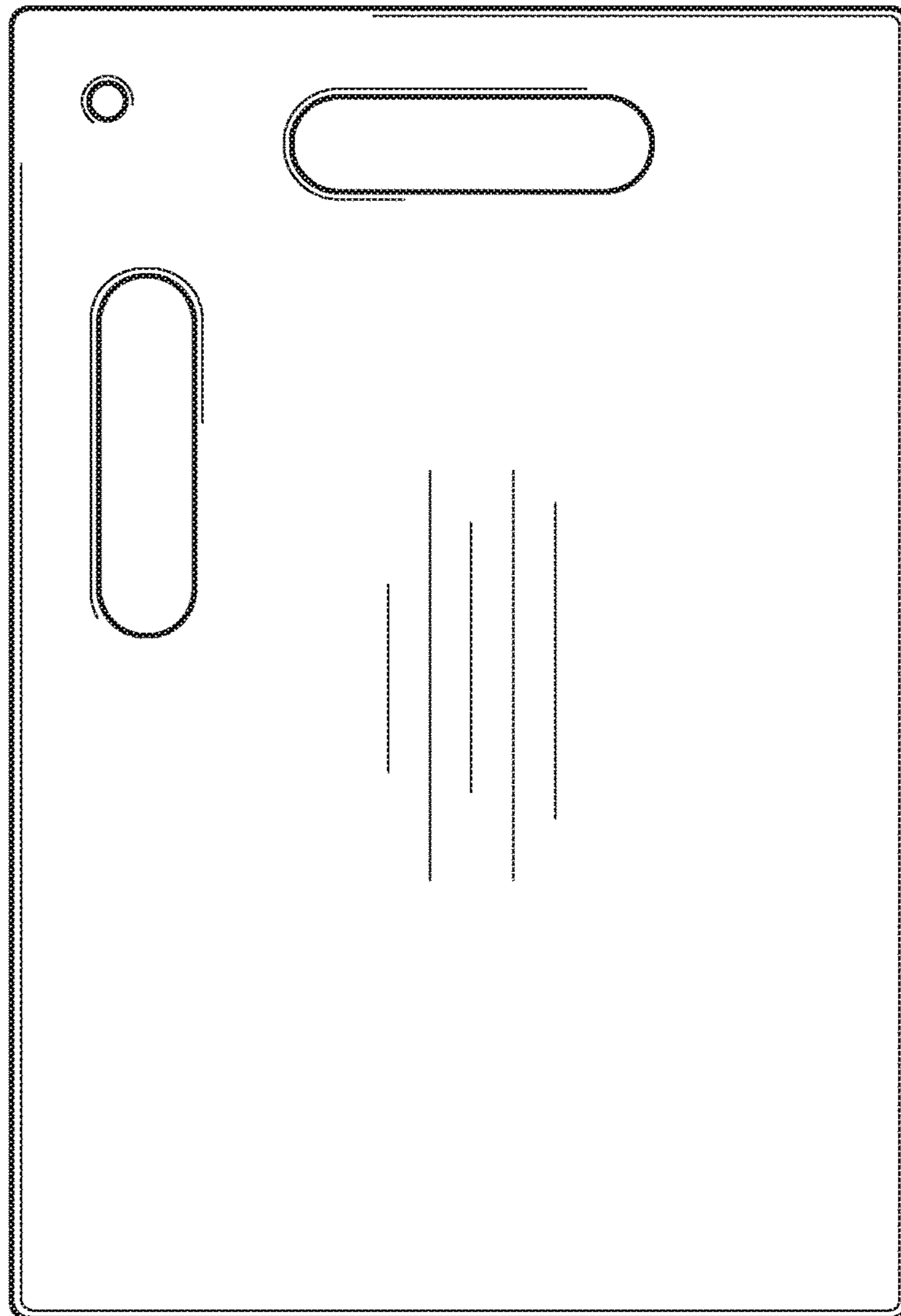


FIG. 3

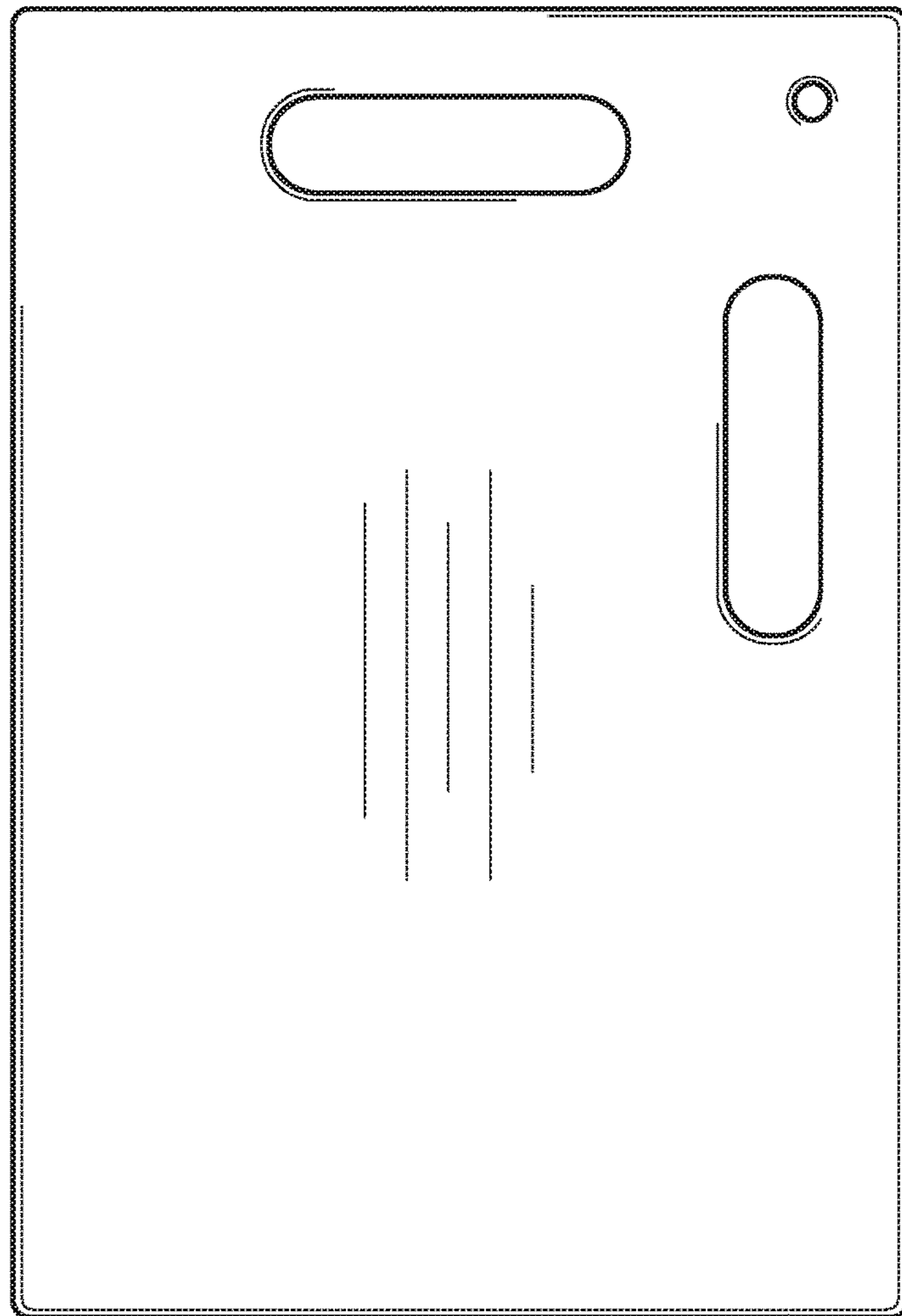


FIG. 4

FIG. 5



FIG. 6

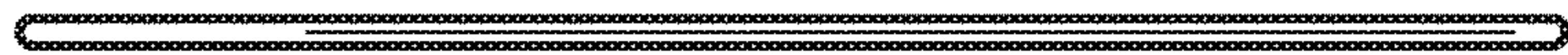


FIG. 7

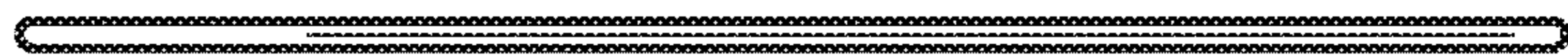


FIG. 8

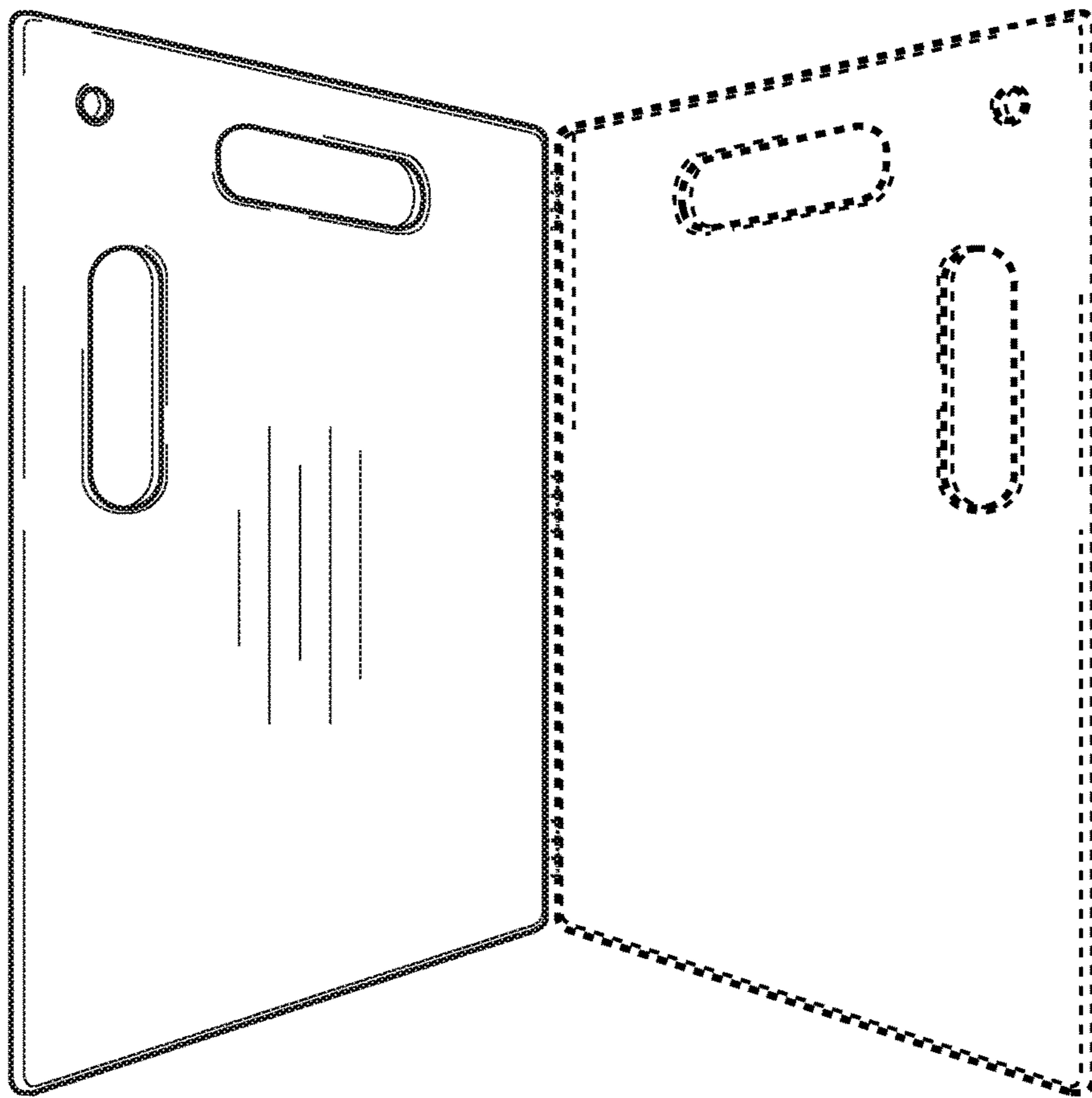


FIG. 10

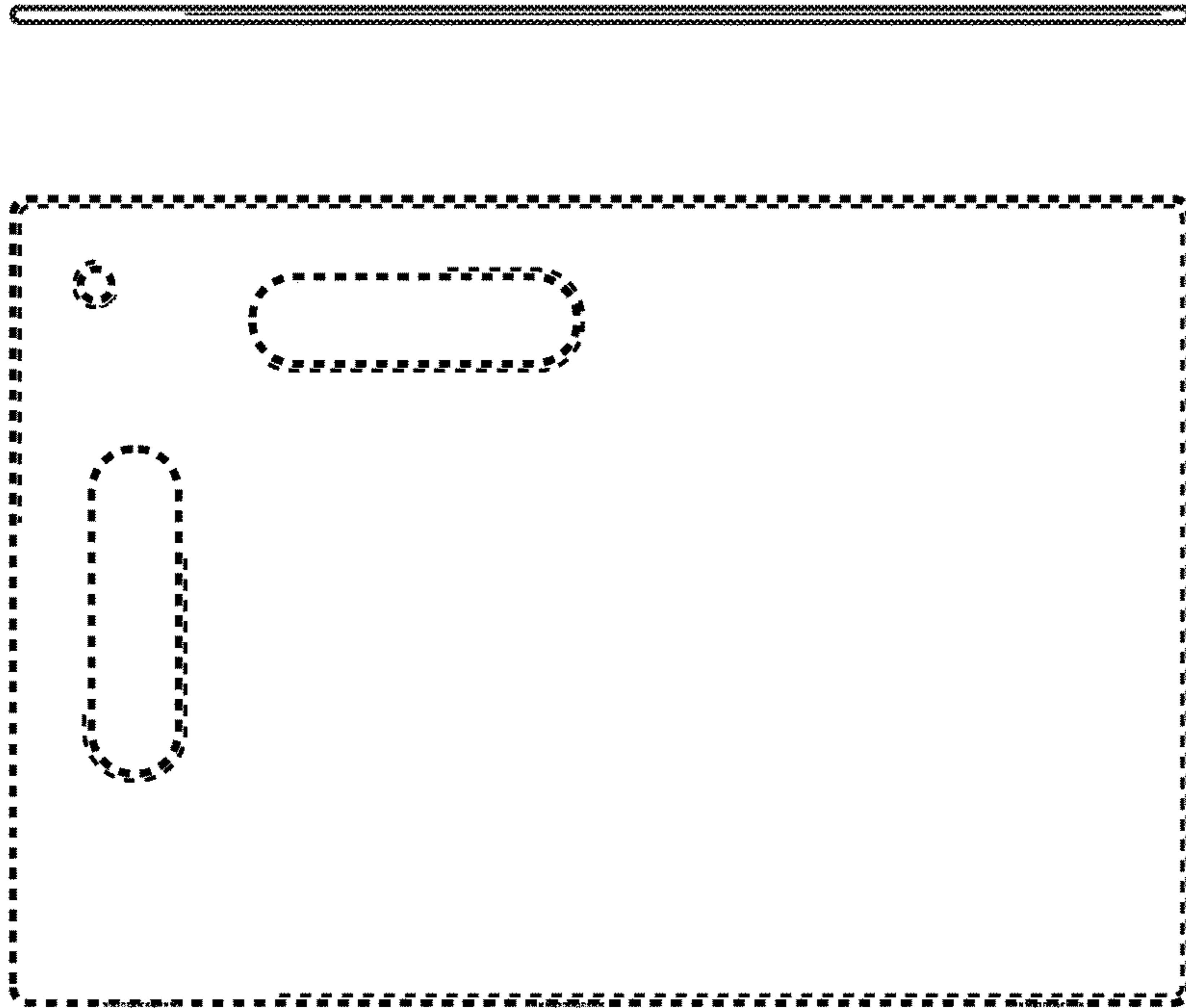


FIG. 9

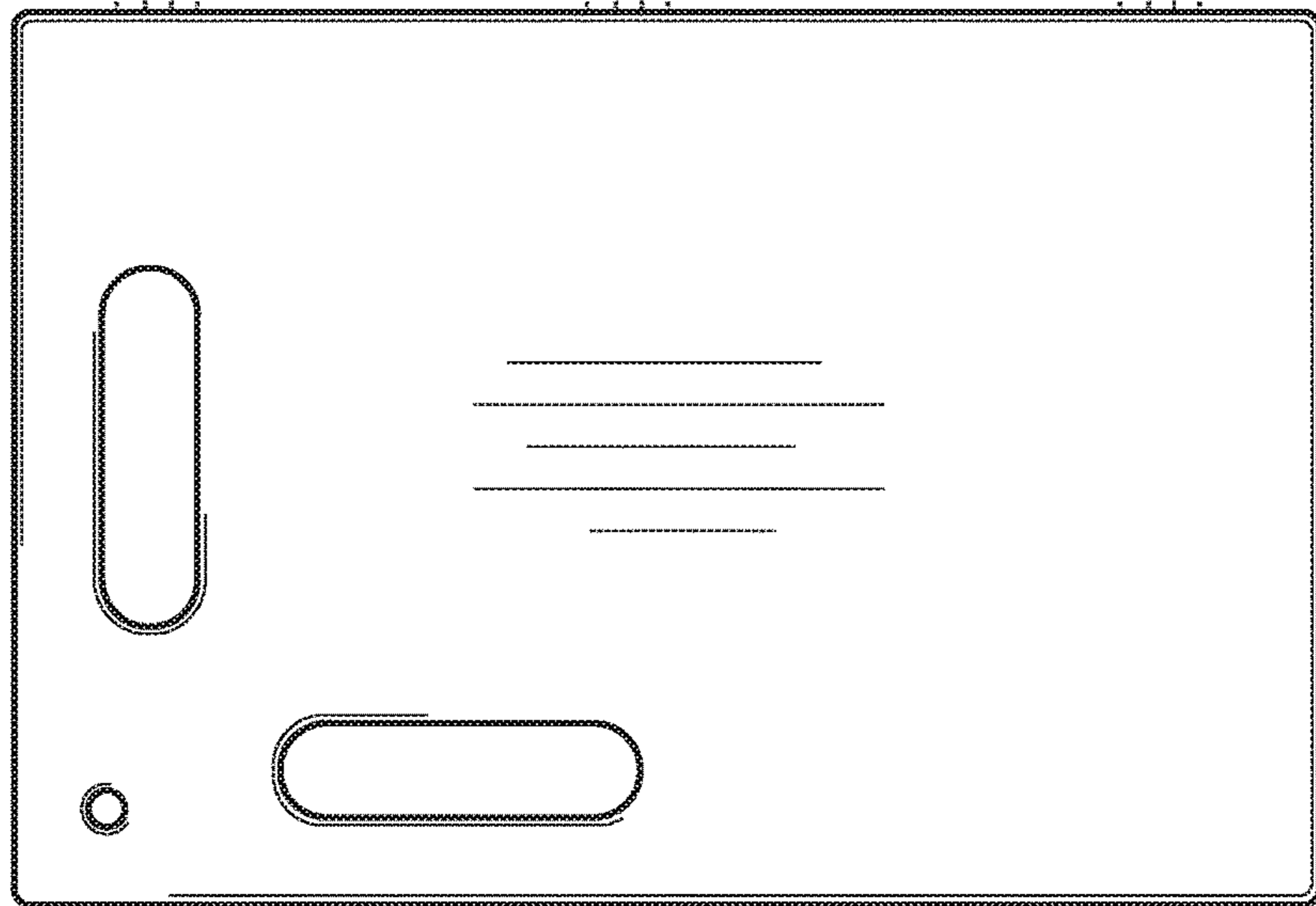


FIG. 11