



US00D819286S

(12) **United States Design Patent**  
**Kim et al.**

(10) **Patent No.:** **US D819,286 S**

(45) **Date of Patent:** **\*\* May 29, 2018**

(54) **HANDLE FOR VACUUM CLEANER**

FOREIGN PATENT DOCUMENTS

(71) Applicant: **Samsung Electronics Co., Ltd.**,  
Suwon-si (KR)

EM 002574939-0001 1/2015  
KR 30-2013-0042293 9/2014

(Continued)

(72) Inventors: **Yeon-Su Kim**, Seoul (KR);  
**Seung-Wook Suh**, Goyang-si (KR);  
**Jae-Ho Jang**, Seoul (KR); **Jae-Won Choi**, Seoul (KR)

*Primary Examiner* — Ruth McInroy

(74) *Attorney, Agent, or Firm* — NSIP Law

(73) Assignee: **Samsung Electronics Co., Ltd.**,  
Suwon-si (KR)

(57) **CLAIM**

We claim the ornamental design for a handle for vacuum cleaner, as shown and described.

(\*\*) Term: **15 Years**

**DESCRIPTION**

(21) Appl. No.: **29/599,572**

FIG. 1 is a front perspective view of a handle for vacuum cleaner showing our new design;

(22) Filed: **Apr. 5, 2017**

FIG. 2 is a front elevational view thereof;

(30) **Foreign Application Priority Data**

Dec. 23, 2016 (KR) ..... 30-2016-0062895

FIG. 3 is a rear elevational view thereof;

(51) **LOC (11) Cl.** ..... **15-05**

FIG. 4 is a left-side elevational view thereof;

(52) **U.S. Cl.**

USPC ..... **D32/34**

FIG. 5 is a right-side elevational view thereof;

(58) **Field of Classification Search**

USPC ..... D32/31-34, 22

CPC ..... A47L 5/24; A47L 5/38; A47L 5/28; A47L

11/4044; A47L 11/34; A47L 7/0038;

A47L 9/325; A47L 9/02; A47L 1/08;

D01H 11/006; B60S 1/64; A46B 11/001;

A46B 11/002; B08B 3/026; B08B 3/028

See application file for complete search history.

FIG. 6 is a top plan view thereof;

FIG. 7 is a bottom plan view thereof;

FIG. 8 is a rear perspective view thereof;

FIG. 9 is a left-side view showing the handle rotated in an alternate position.

FIG. 10 is a front perspective view thereof in which a vacuum is provided in broken lines to illustrate an example environment;

FIG. 11 is an enlarged view of the encircled portion in FIG. 2;

FIG. 12 is an enlarged view of the encircled portion in FIG. 2; and,

FIG. 13 is an enlarged view of the encircled portion in FIG. 3.

The broken lines in the figures depict environmental subject matter and form no part of the claimed design.

The dot-dash broken lines encircling portions of the claimed design that are illustrated in enlargements form no part of the claimed design.

(56) **References Cited**

U.S. PATENT DOCUMENTS

D731,136 S \* 6/2015 Yun ..... D32/34

D731,724 S \* 6/2015 Cheon ..... D32/22

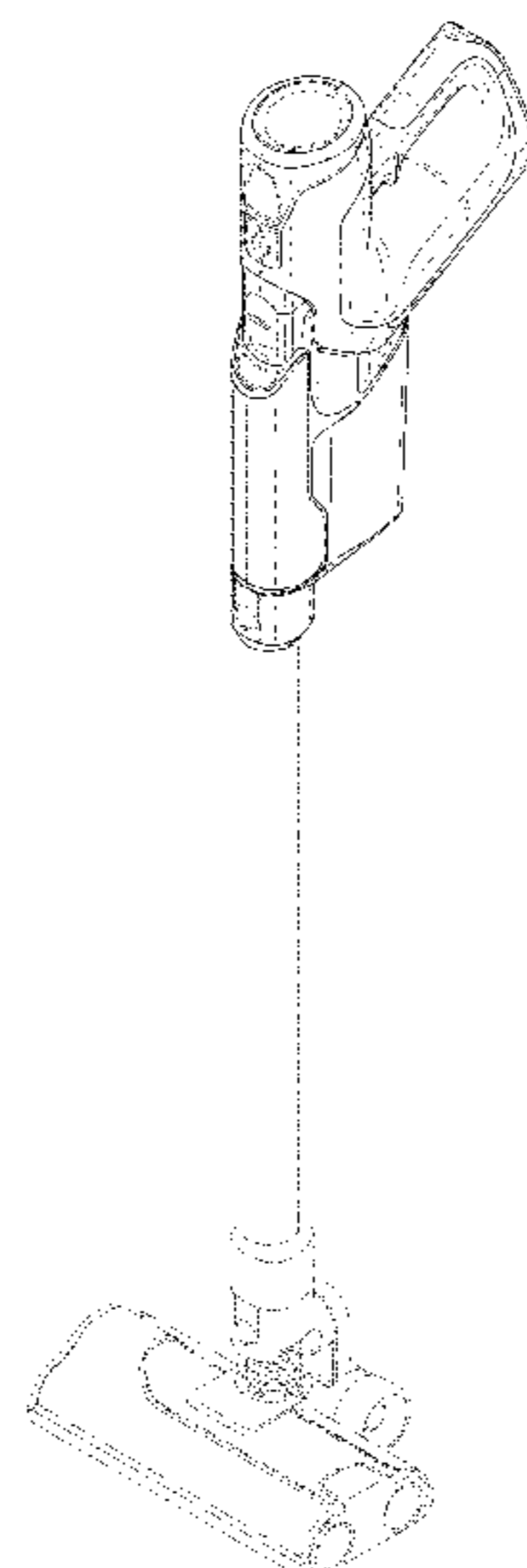
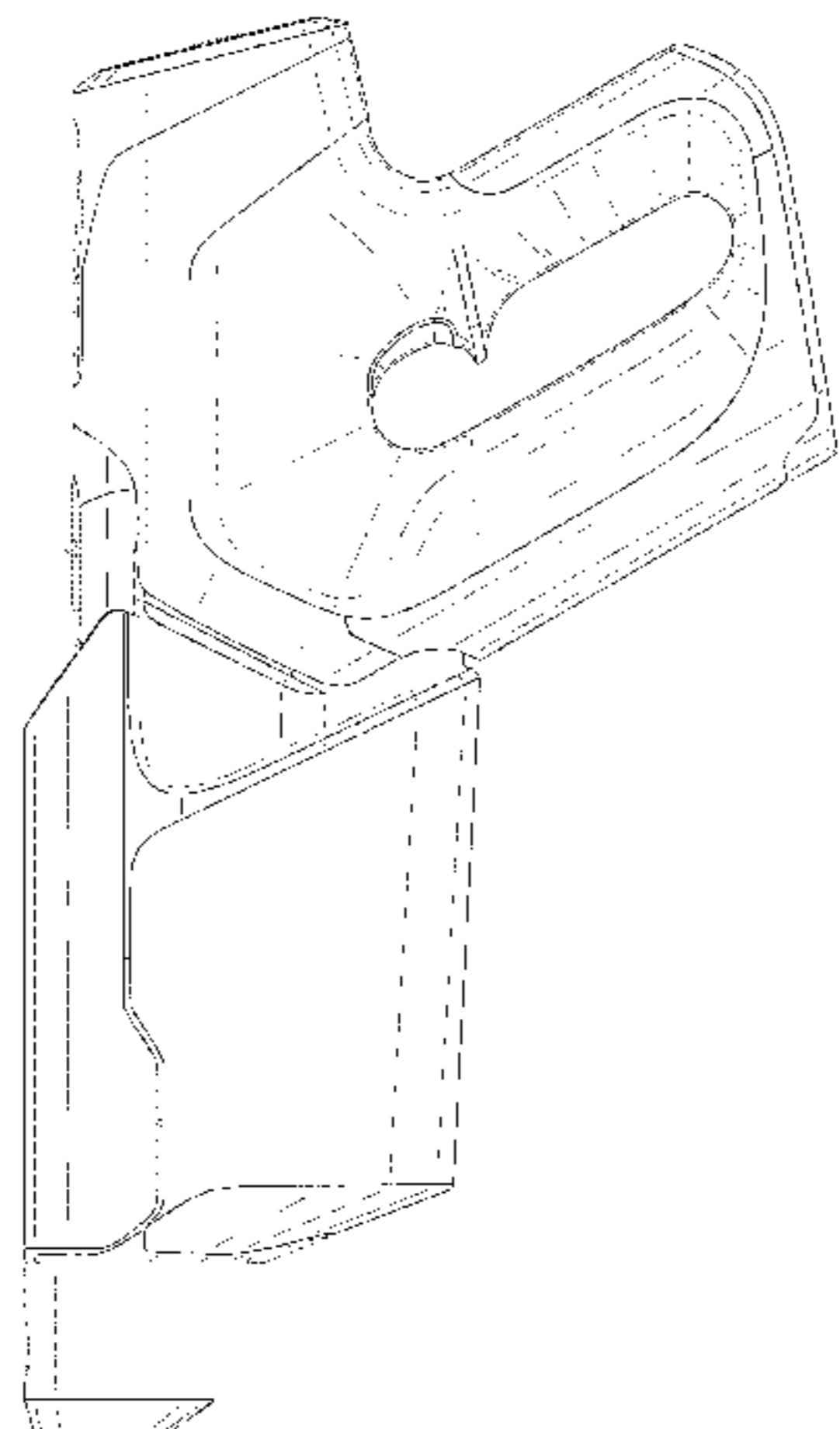
D731,725 S \* 6/2015 Jang ..... D32/34

D738,584 S \* 9/2015 Niedzwecki ..... D32/18

D770,111 S \* 10/2016 Lee ..... D32/34

(Continued)

**1 Claim, 13 Drawing Sheets**



(56)

**References Cited**

U.S. PATENT DOCUMENTS

D771,890 S \* 11/2016 Kim ..... D32/34  
D772,512 S \* 11/2016 Yoon ..... D32/34  
9,675,218 B2 \* 6/2017 Kim ..... A47L 5/225  
D792,040 S \* 7/2017 Meyer ..... D32/22

FOREIGN PATENT DOCUMENTS

KR 30-2015-0052140 1/2016  
KR 30-2015-0049494 4/2016  
KR 30-2015-0067216 6/2016

\* cited by examiner

FIG. 1

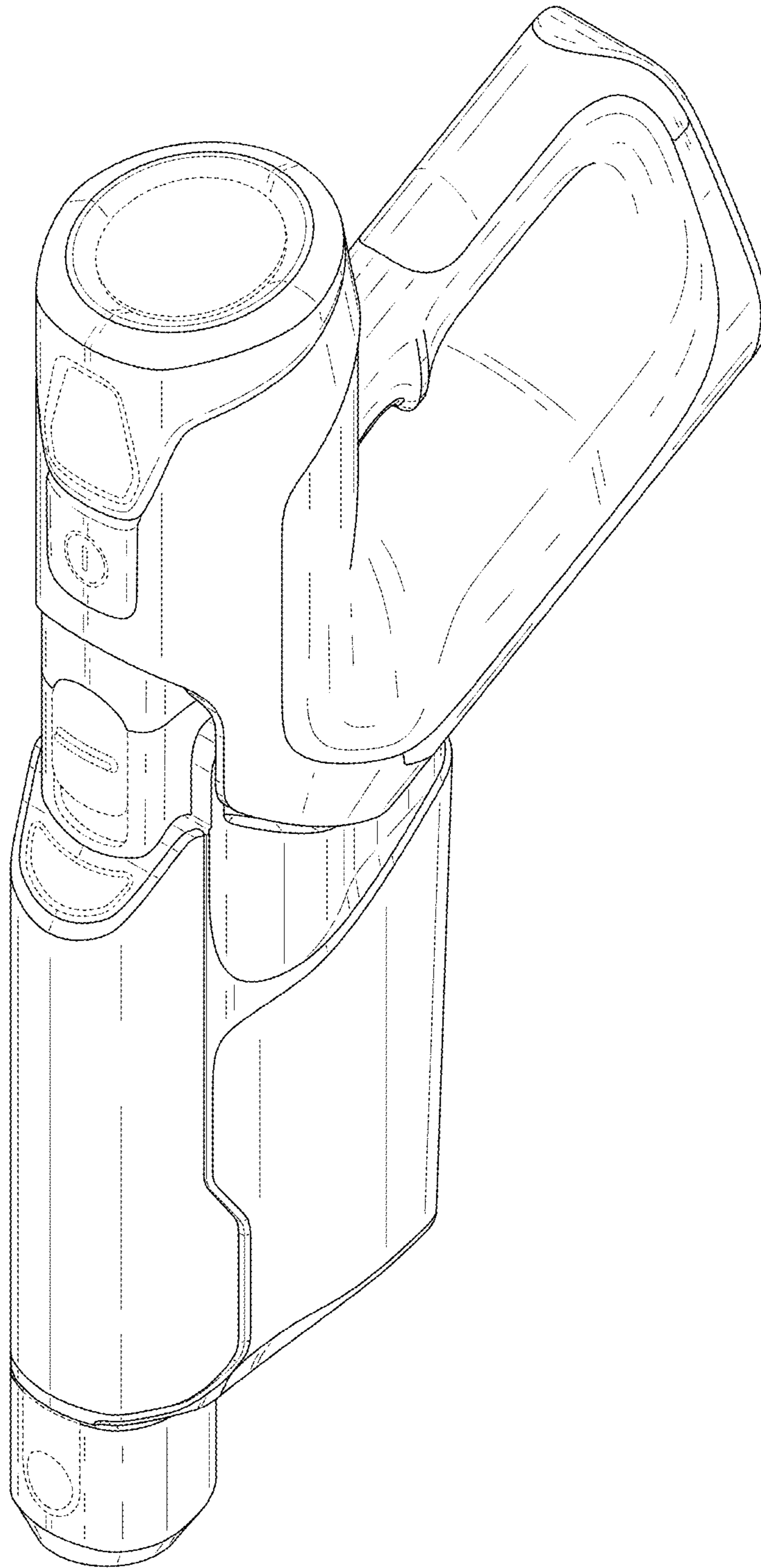


FIG. 2

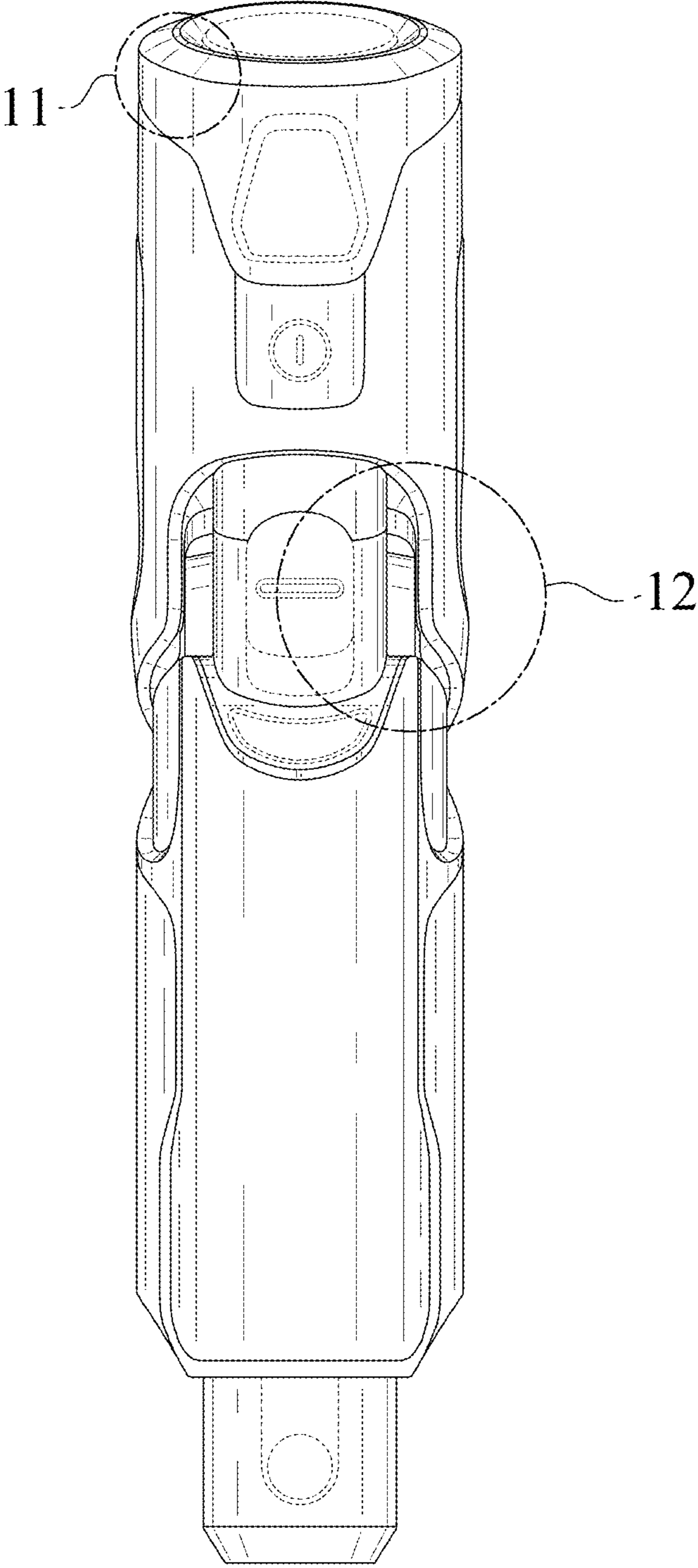


FIG. 3

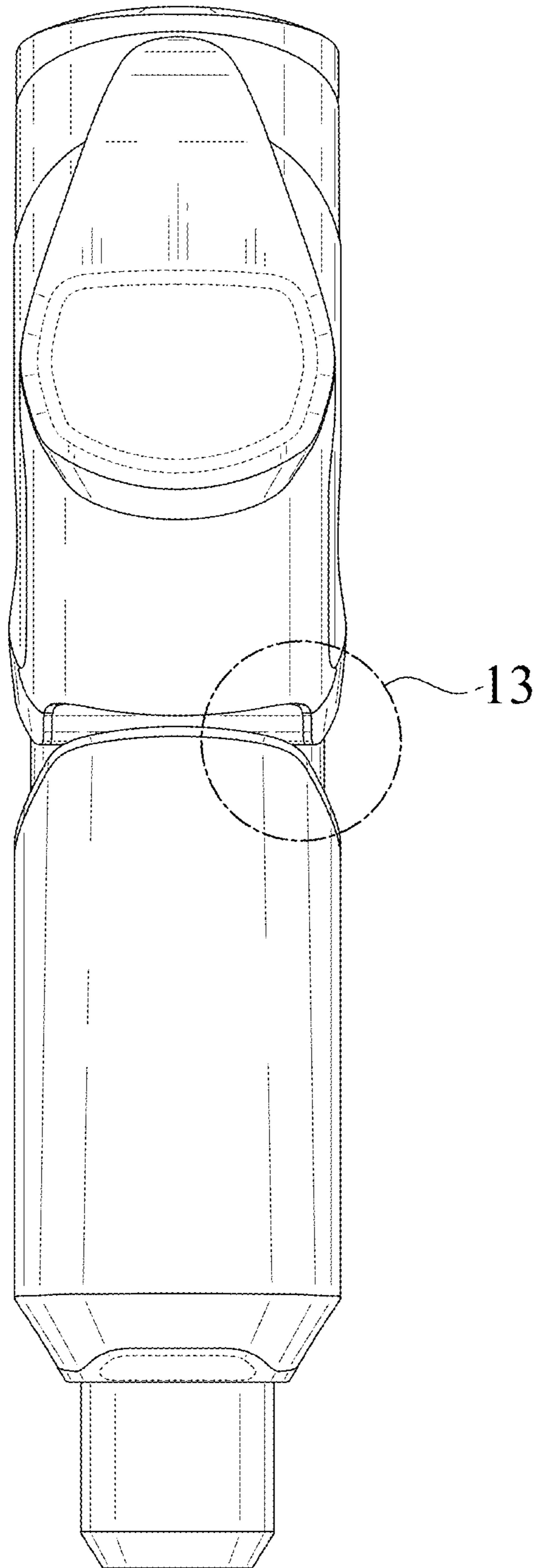




FIG. 4

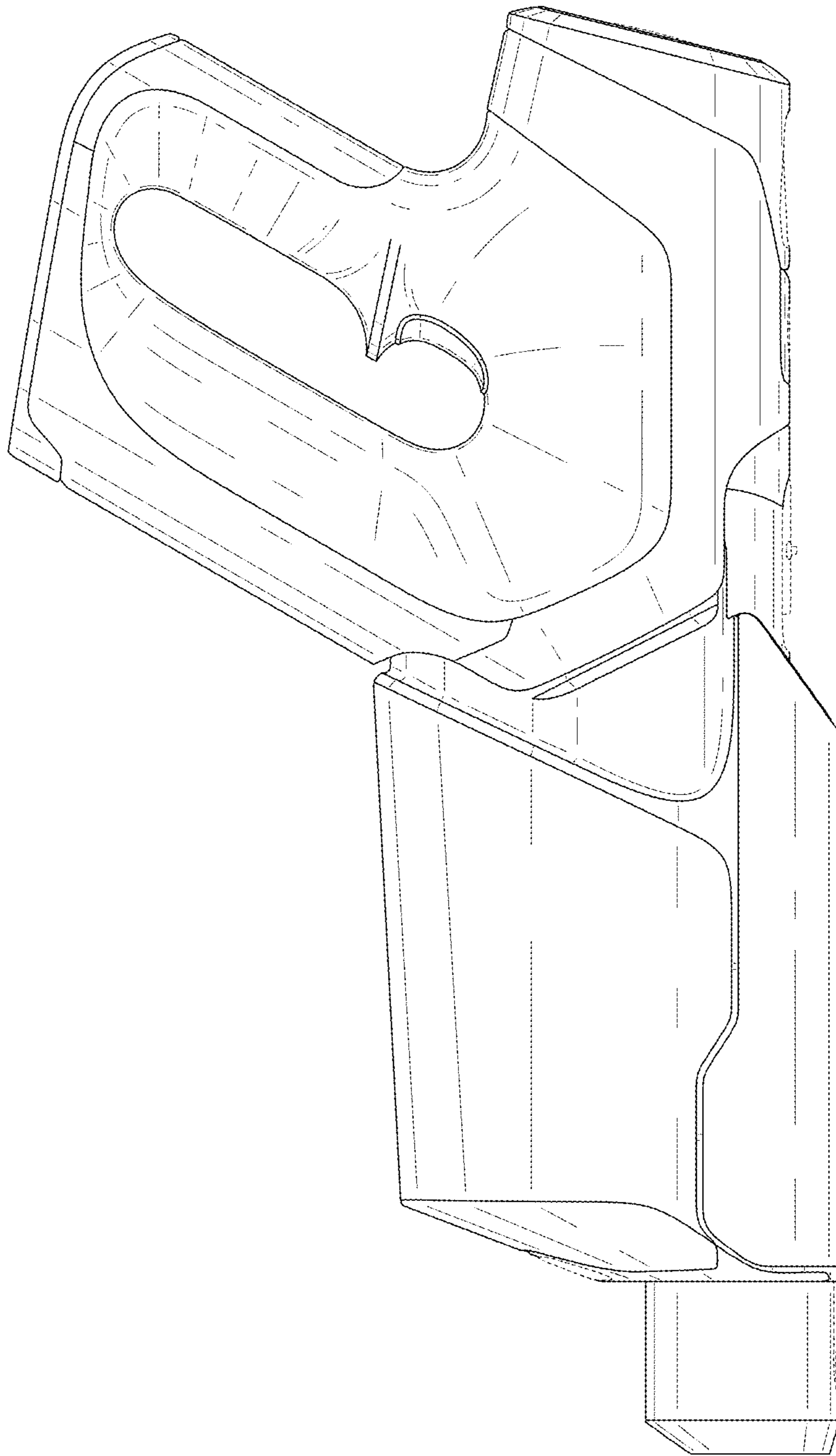


FIG. 5

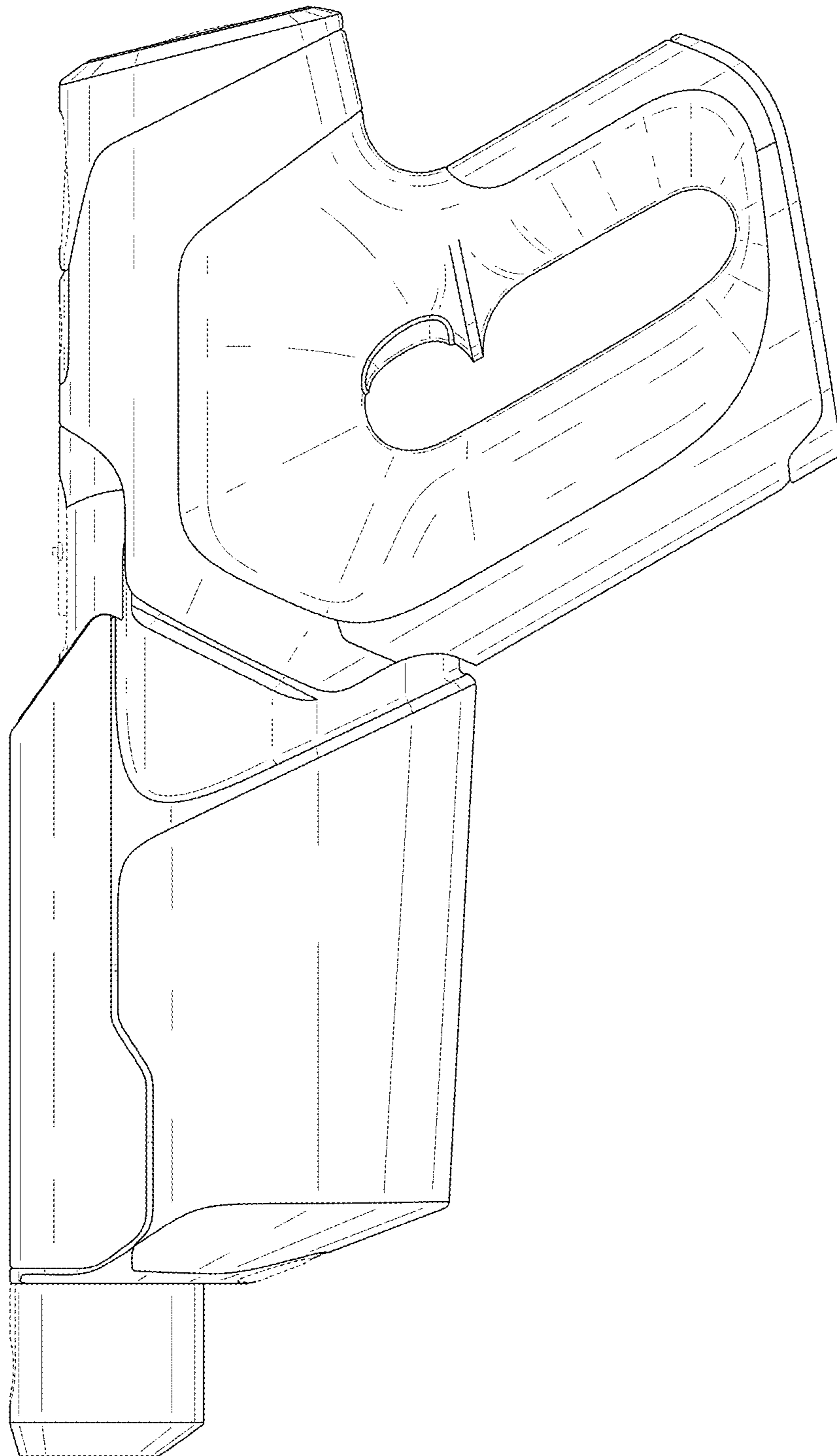


FIG. 6

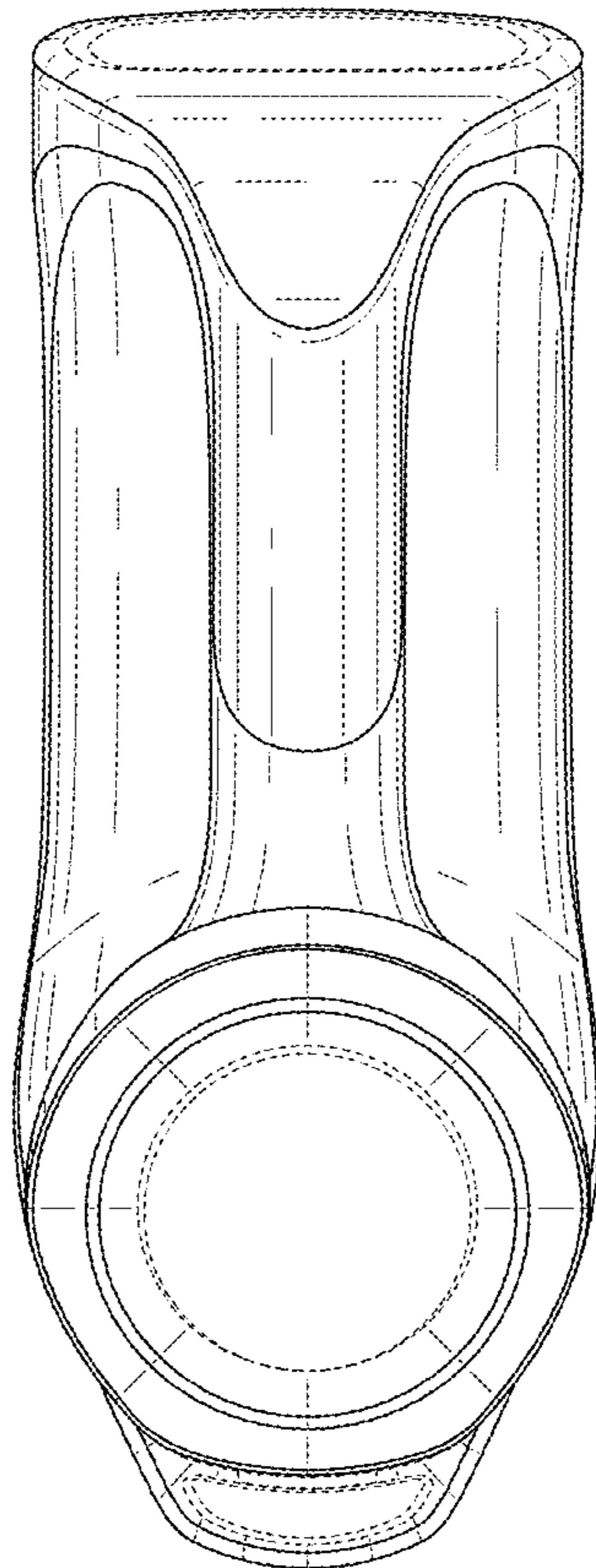




FIG. 7

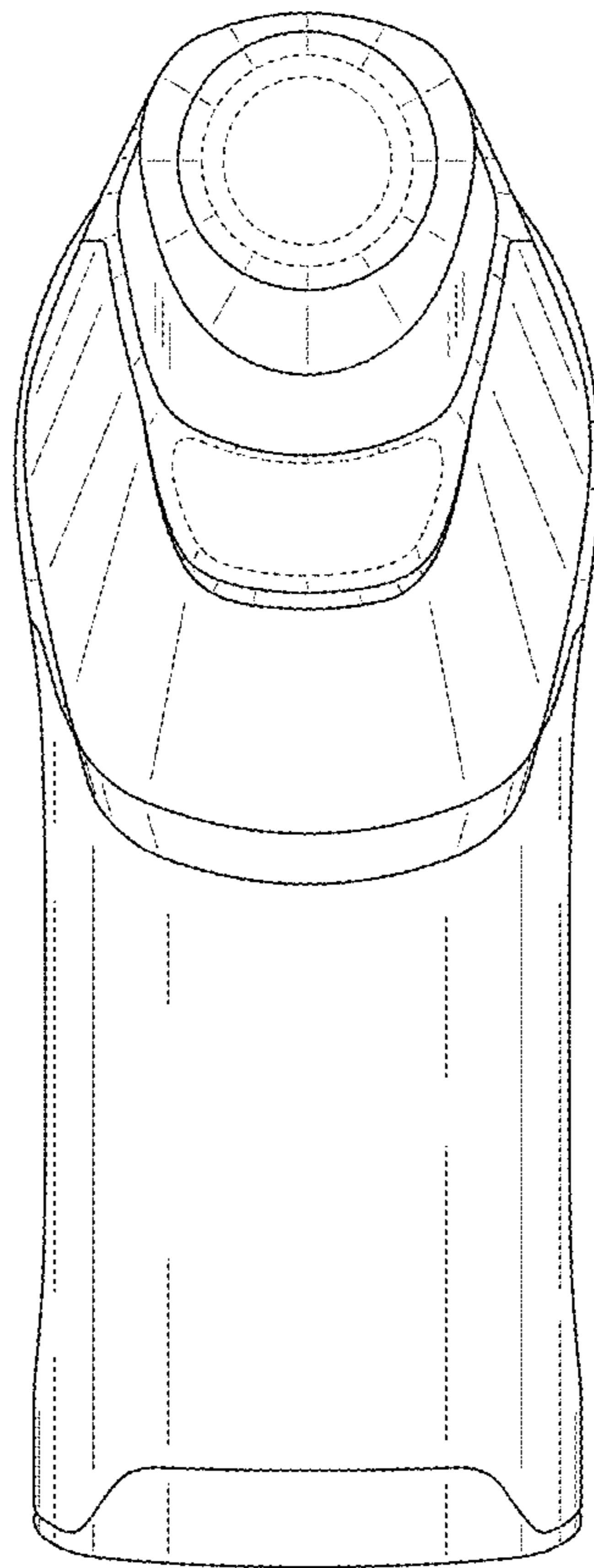


FIG. 8

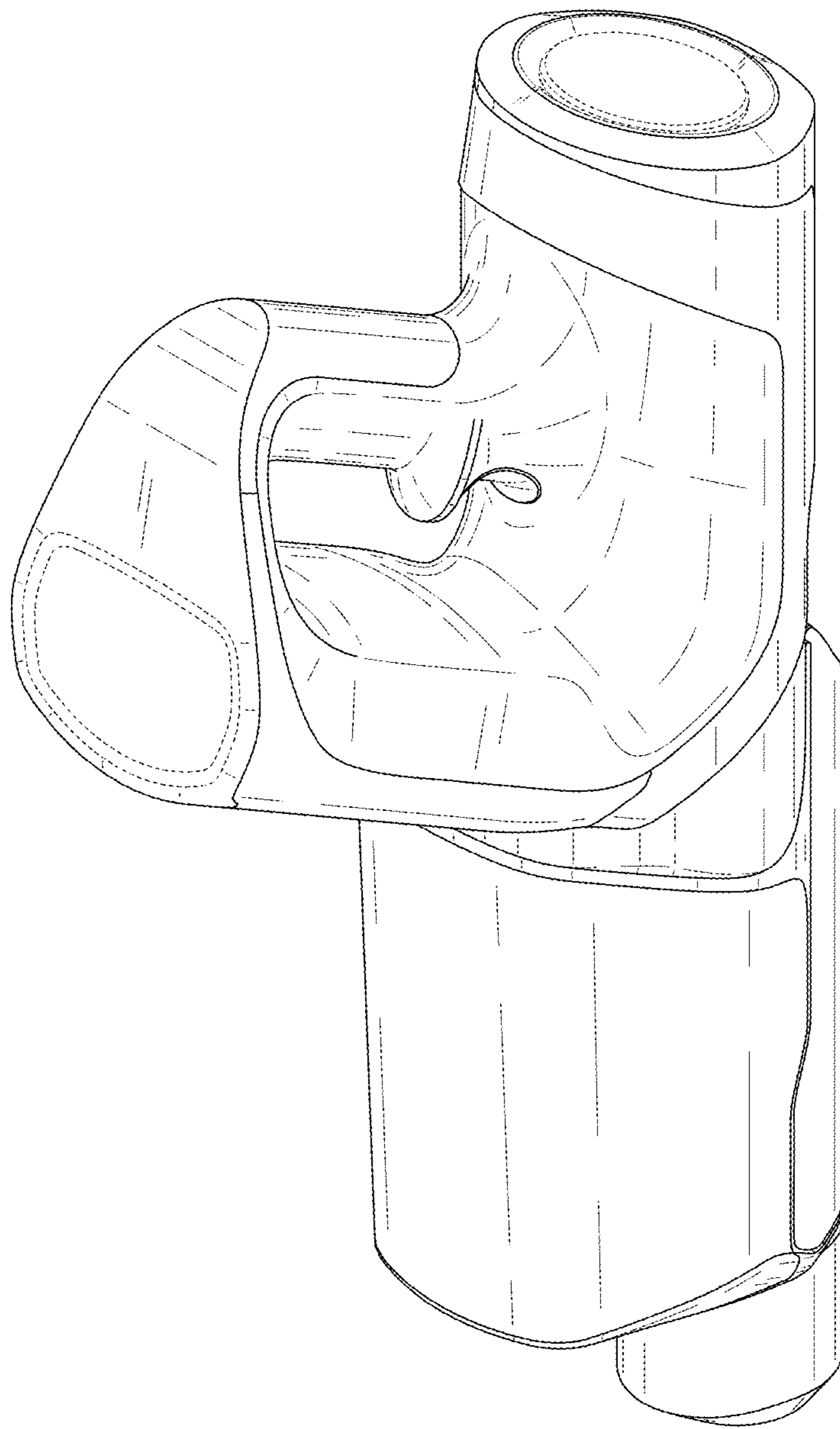


FIG. 9

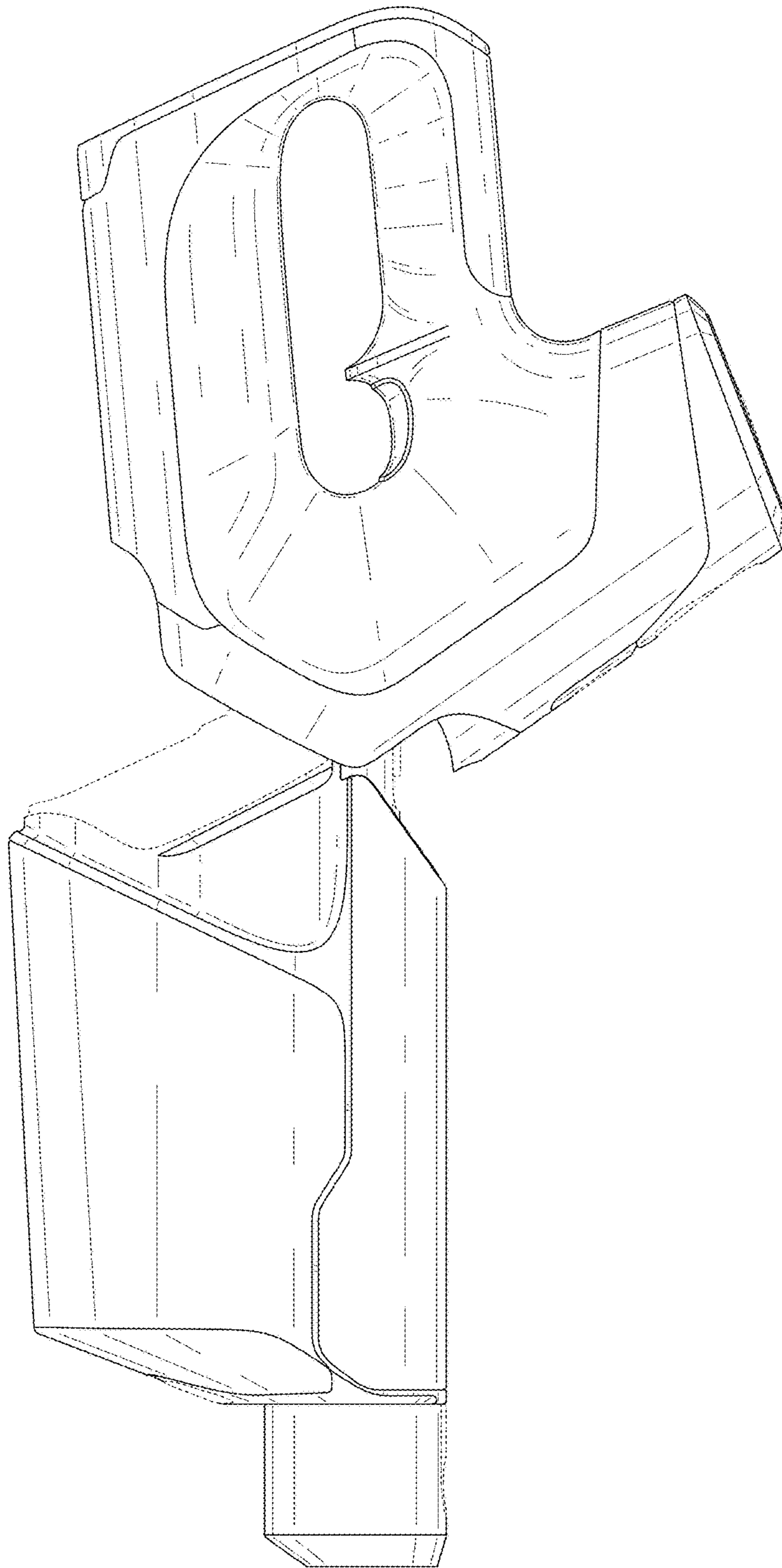


FIG. 10

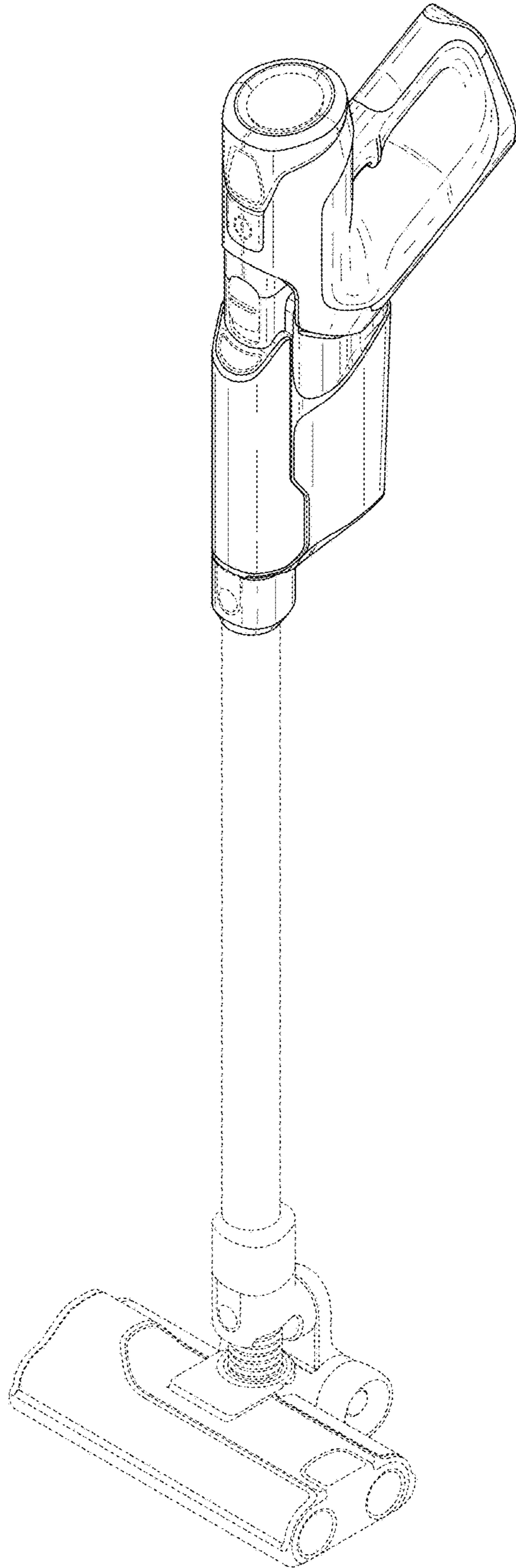


FIG. 11

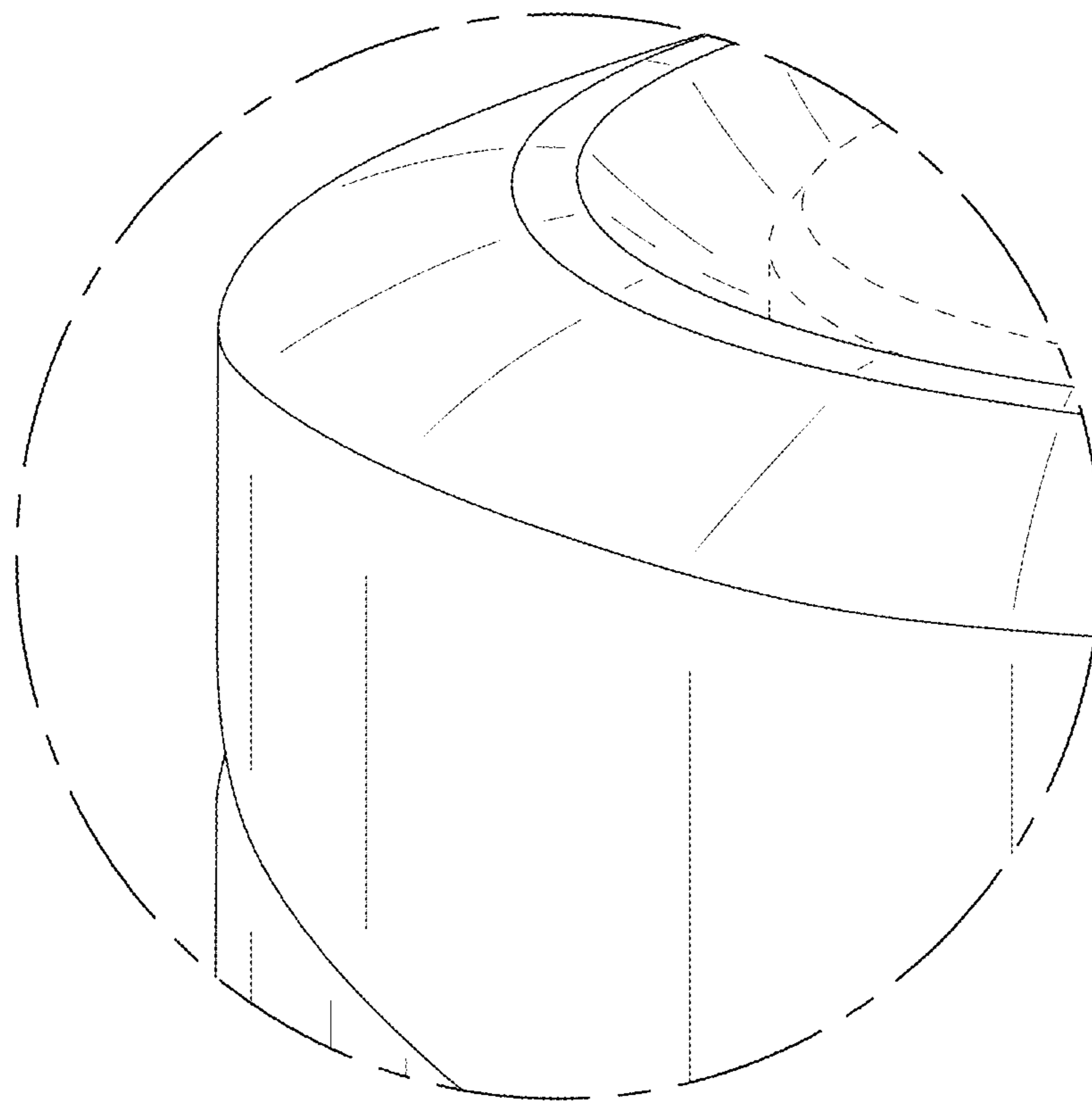




FIG. 12

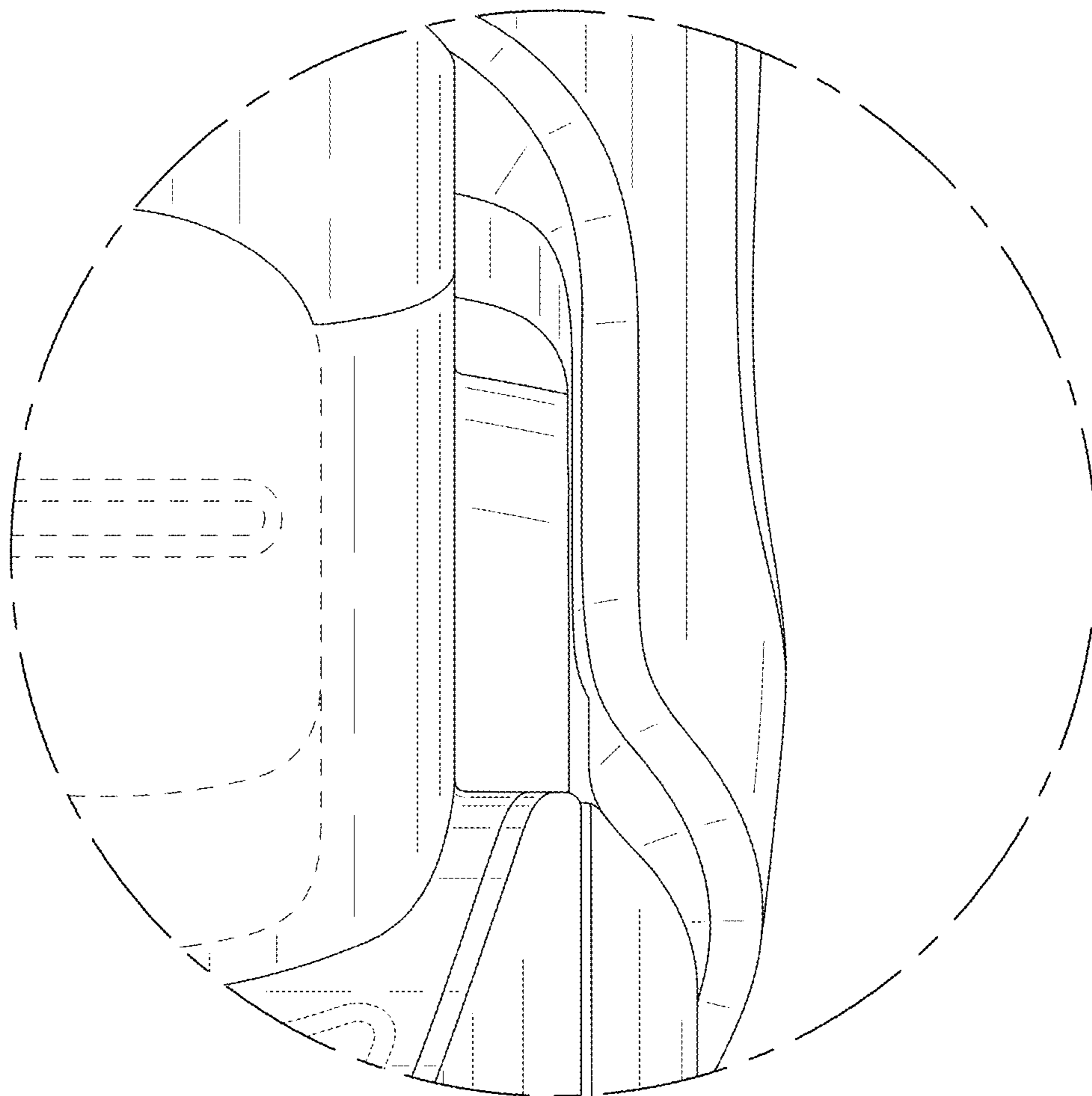


FIG. 13

