



US00D819281S

(12) **United States Design Patent** (10) **Patent No.:** **US D819,281 S**
Yoon et al. (45) **Date of Patent:** **** May 29, 2018**

(54) **WASHING MACHINE**
(71) Applicant: **SAMSUNG ELECTRONICS CO., LTD.**, Suwon-si, Gyeonggi-do (KR)
(72) Inventors: **Sanghun Yoon**, Seoul (KR); **Yuna Park**, Seoul (KR); **Myunggyu Kim**, Seoul (KR); **Ahjung Joo**, Seoul (KR)
(73) Assignee: **SAMSUNG ELECTRONICS CO., LTD.**, Gyeonggi-Do (KR)
(**) Term: **15 Years**

D360,500 S 7/1995 Millet et al.
D457,991 S * 5/2002 Baldwin D32/6
D491,324 S 6/2004 Kim et al.
D492,073 S 6/2004 Sneddon
D517,257 S * 3/2006 Kim D32/6
D527,150 S 8/2006 Jun
D527,853 S 9/2006 Carey et al.
D532,941 S 11/2006 Carey et al.
D538,488 S 3/2007 Carey et al.
D542,487 S 5/2007 Jun
D542,986 S * 5/2007 Crookshanks D32/6
D542,987 S * 5/2007 Crookshanks D32/6
D556,394 S 11/2007 Kim
D575,012 S 8/2008 Rossetto et al.
D575,913 S * 8/2008 Jeon D32/6

(Continued)

(21) Appl. No.: **29/607,233**

(22) Filed: **Jun. 12, 2017**

Related U.S. Application Data

(63) Continuation of application No. 29/590,790, filed on Jan. 13, 2017.

(30) **Foreign Application Priority Data**

Nov. 29, 2016 (KR) 30-2016-0057634

(51) **LOC (11) Cl.** **15-05**

(52) **U.S. Cl.**
USPC **D32/6**

(58) **Field of Classification Search**
USPC D32/29.1, 29, 28, 6, 25, 8, 1, 5, 10
CPC D06F 39/045; D06F 29/00; D06F 29/005;
D06F 25/00; D06F 39/022; D06F 33/02;
D06F 2204/065; D06F 35/006
See application file for complete search history.

(56) **References Cited**

U.S. PATENT DOCUMENTS

4,307,588 A 12/1981 Smith et al.
4,429,817 A 2/1984 Ikeda
D359,602 S 6/1995 Swartz et al.

FOREIGN PATENT DOCUMENTS

CN 303423821 S 10/2015
KR 300387514 S 7/2005
KR 300768037 S 11/2014

Primary Examiner — Michael A. Pratt

Assistant Examiner — Michelle E Wilson

(74) *Attorney, Agent, or Firm* — Cantor Colburn LLP

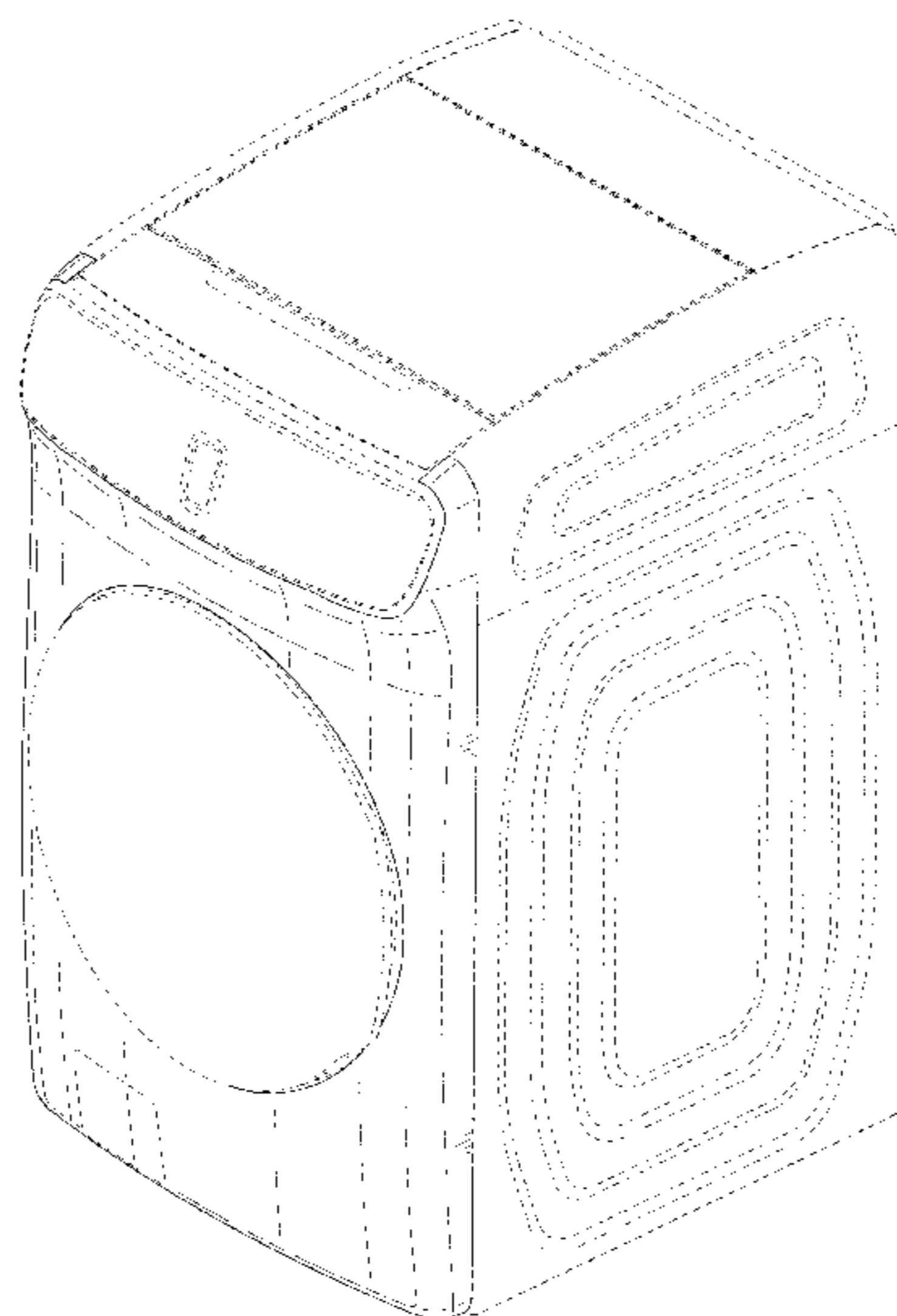
(57) **CLAIM**

We claim the ornamental design for a washing machine, as shown and described.

DESCRIPTION

FIG. 1 is the front perspective view of a washing machine showing our new design;
FIG. 2 is the front view thereof;
FIG. 3 is the rear view thereof;
FIG. 4 is the left-side view thereof;
FIG. 5 is the right-side view thereof;
FIG. 6 is the top view thereof; and,
FIG. 7 is the bottom view thereof.
The broken lines in the figures depict environmental subject matter and form no part of the claimed design.

1 Claim, 7 Drawing Sheets



(56)

References Cited

U.S. PATENT DOCUMENTS

D577,162 S	*	9/2008	Shail	D32/6	D732,763 S	6/2015	Hwang et al.		
D588,757 S		3/2009	Park et al.		D732,767 S	6/2015	Ha et al.		
D617,960 S		6/2010	Bohm et al.		D739,097 S	9/2015	Qin et al.		
D620,650 S		7/2010	Lee		D742,602 S	11/2015	Kim		
D625,476 S		10/2010	Lee et al.		D746,521 S	12/2015	Ha et al.		
D626,299 S		10/2010	Lee et al.		D747,836 S	*	1/2016	Cho	D32/6
D630,807 S		1/2011	Song et al.		D752,830 S	3/2016	Choi et al.		
D631,624 S		1/2011	Chung et al.		D759,909 S	6/2016	Kim et al.		
D632,033 S		2/2011	Song et al.		D762,021 S	7/2016	Qin et al.		
D633,261 S		2/2011	Song et al.		D762,025 S	7/2016	Joo et al.		
D642,752 S		8/2011	Kim		D764,722 S	8/2016	Jo		
D642,753 S		8/2011	Ha		D769,553 S	10/2016	Lee		
D648,907 S		11/2011	Jeon et al.		D770,103 S	10/2016	Ha et al.		
D649,722 S		11/2011	Chung et al.		D770,698 S	11/2016	Lee et al.		
D653,006 S		1/2012	Takahashi		D770,705 S	11/2016	Kang et al.		
D654,640 S		2/2012	Song et al.		D770,706 S	11/2016	Ha et al.		
D658,340 S		4/2012	Jeon et al.		D770,707 S	11/2016	Ha et al.		
D659,307 S		5/2012	Geyer et al.		D771,330 S	11/2016	Ha et al.		
D665,544 S		8/2012	Jeon et al.		D772,499 S	11/2016	Yoon et al.		
D667,179 S		9/2012	Jeon et al.		D772,500 S	11/2016	Park et al.		
D679,462 S		4/2013	Zhang et al.		D772,502 S	11/2016	Choi et al.		
D693,973 S		11/2013	Geyer et al.		D773,128 S	11/2016	Kim et al.		
D694,965 S		12/2013	Lee et al.		D773,753 S	12/2016	Kim et al.		
D701,656 S		3/2014	Choi et al.		D773,754 S	12/2016	Choi et al.		
D701,657 S		3/2014	Chung et al.		D773,755 S	*	12/2016	Hwang	D32/6
D701,658 S		3/2014	Chung et al.		D773,757 S	12/2016	Hwang et al.		
D703,885 S		4/2014	Ha et al.		D774,714 S	12/2016	Kang et al.		
D703,886 S		4/2014	Ha et al.		D774,715 S	12/2016	Kim et al.		
D712,603 S		9/2014	Geyer et al.		D774,716 S	12/2016	Kim		
D729,996 S		5/2015	Hwang et al.		D787,759 S	5/2017	Geyer et al.		
D729,998 S		5/2015	Jeon et al.		D796,752 S	*	9/2017	Bixby	D32/6
D730,596 S	*	5/2015	Kim	D32/6	D798,004 S	*	9/2017	Bixby	D32/6
					D800,976 S	10/2017	Im et al.		
					D801,602 S	10/2017	Im et al.		

* cited by examiner

FIG. 1

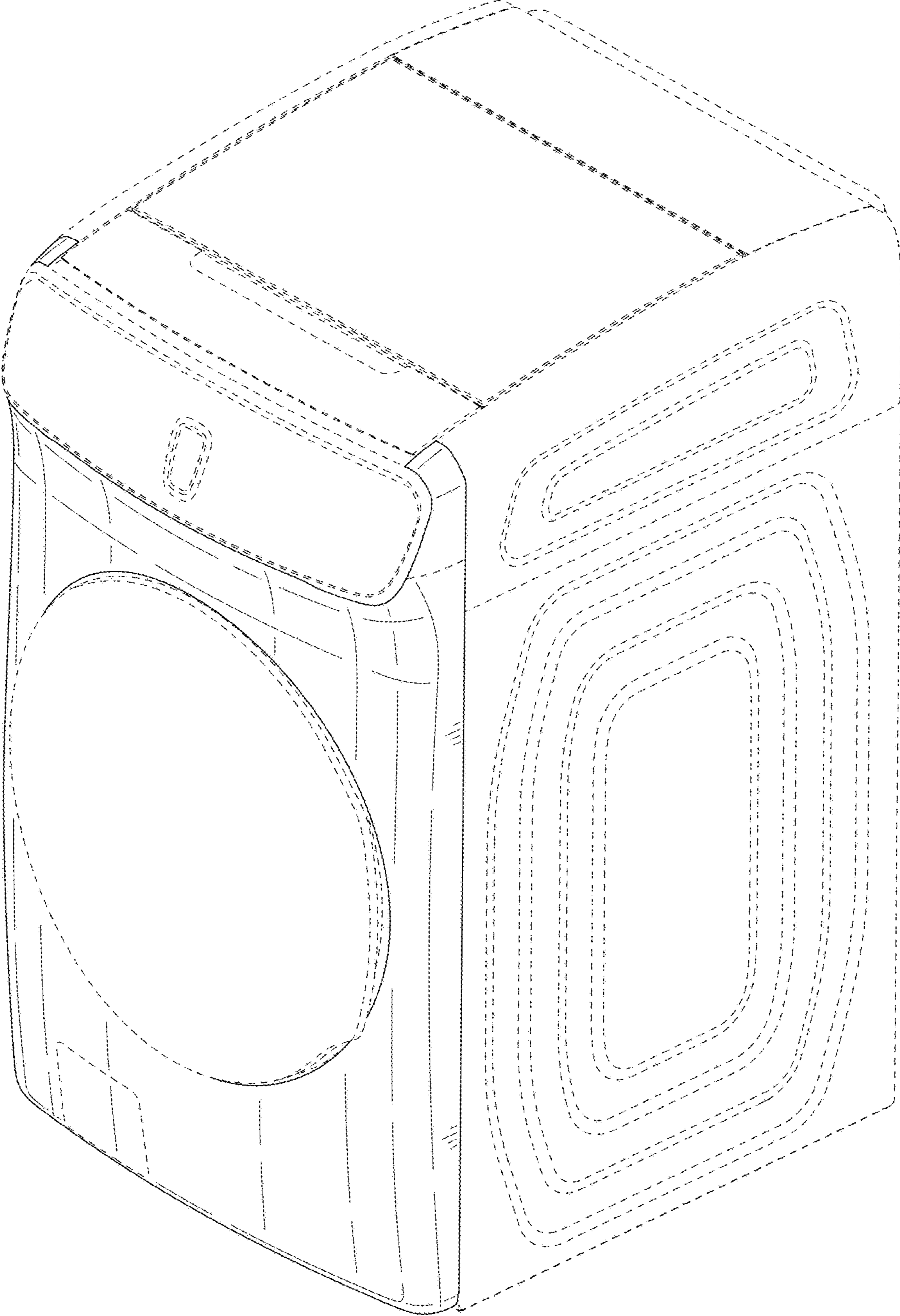


FIG. 2

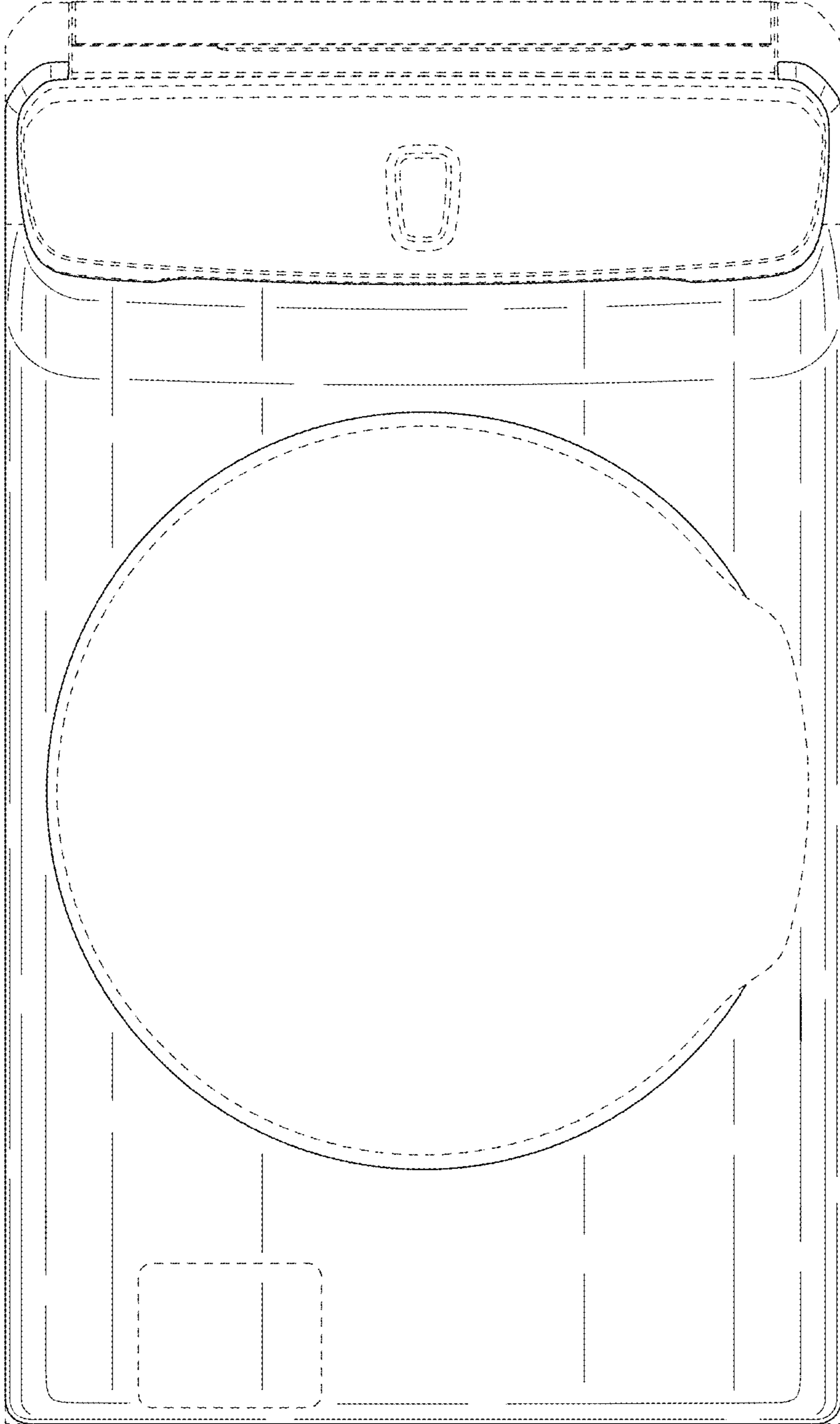


FIG. 3

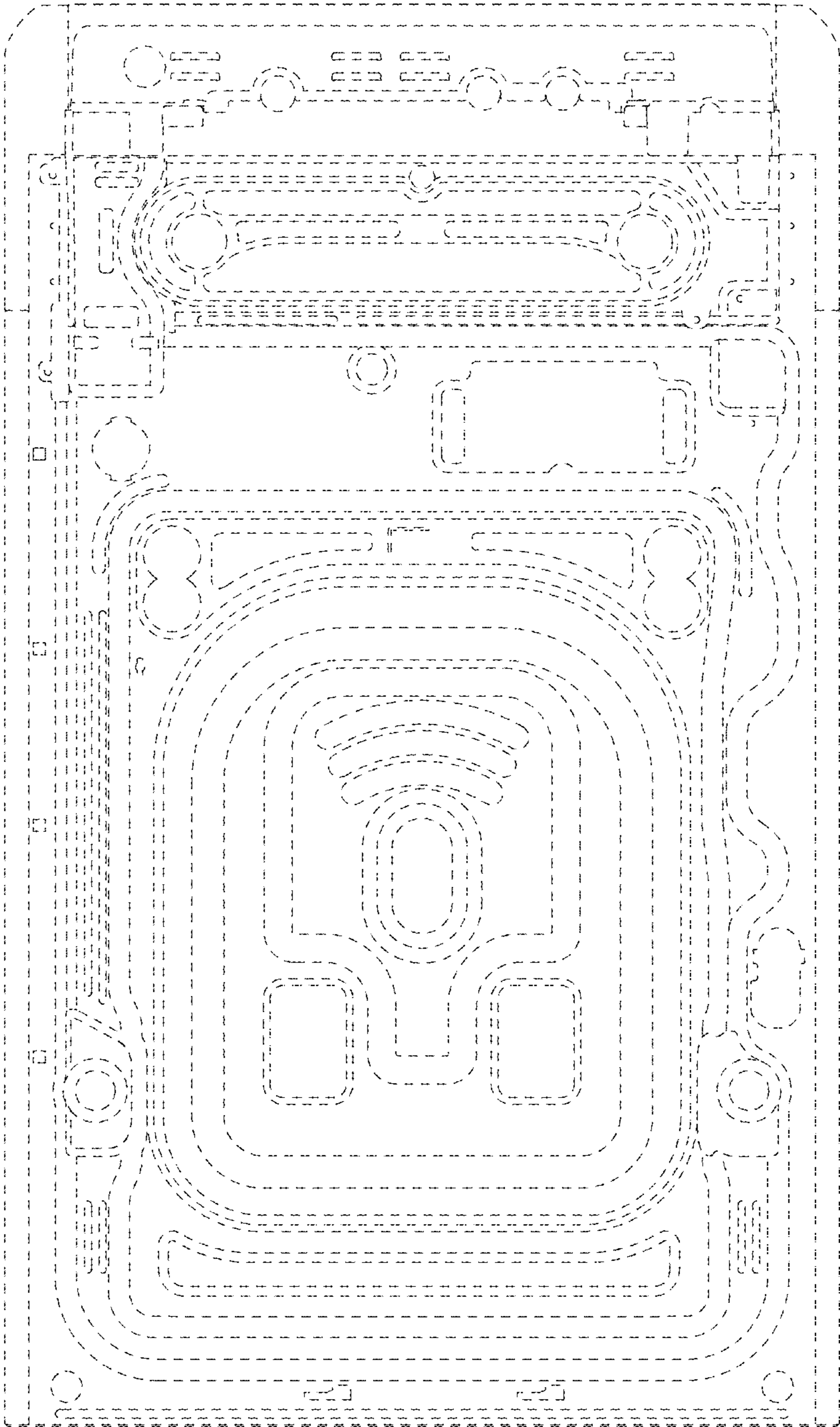


FIG. 4

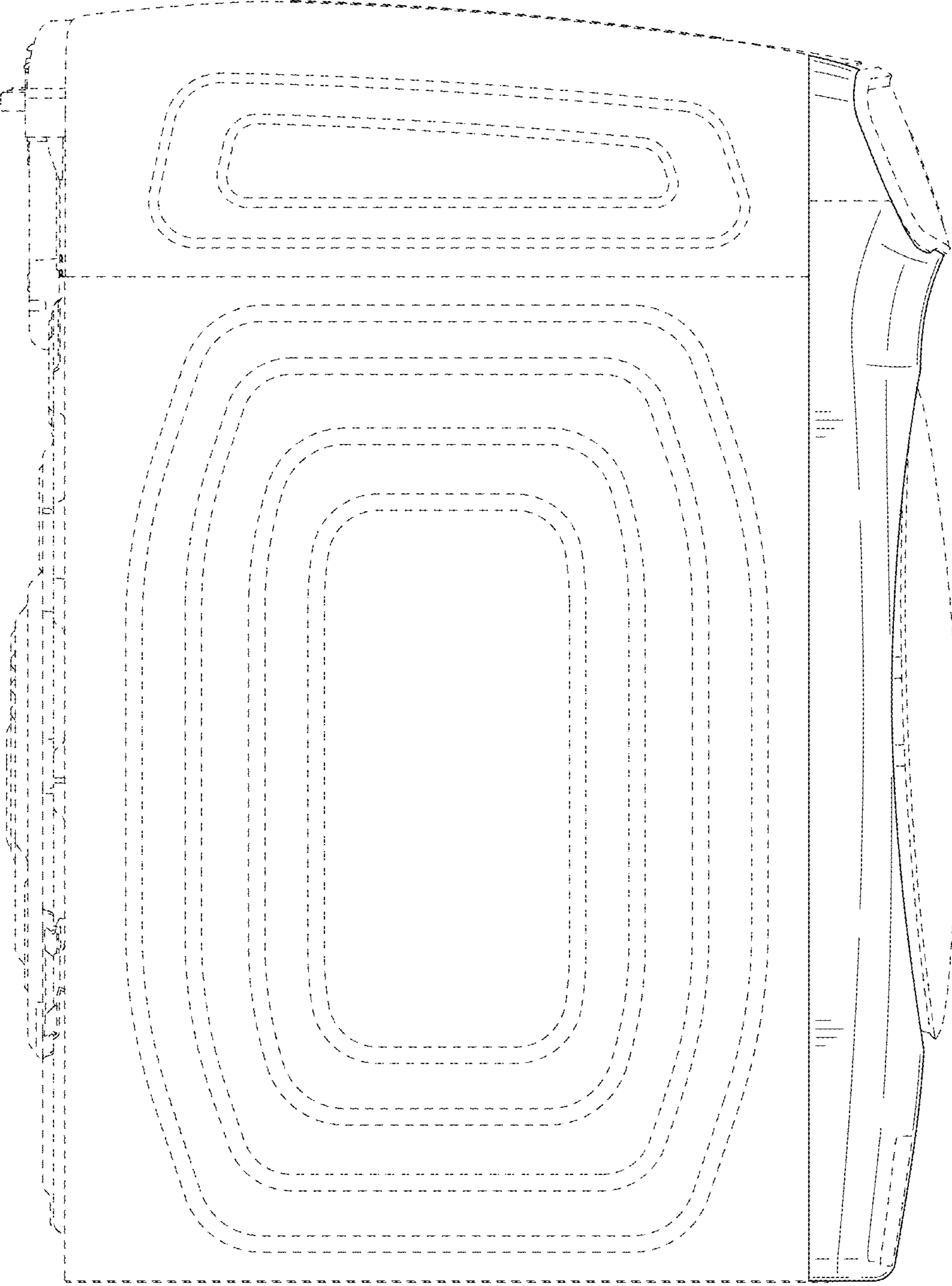


FIG. 5

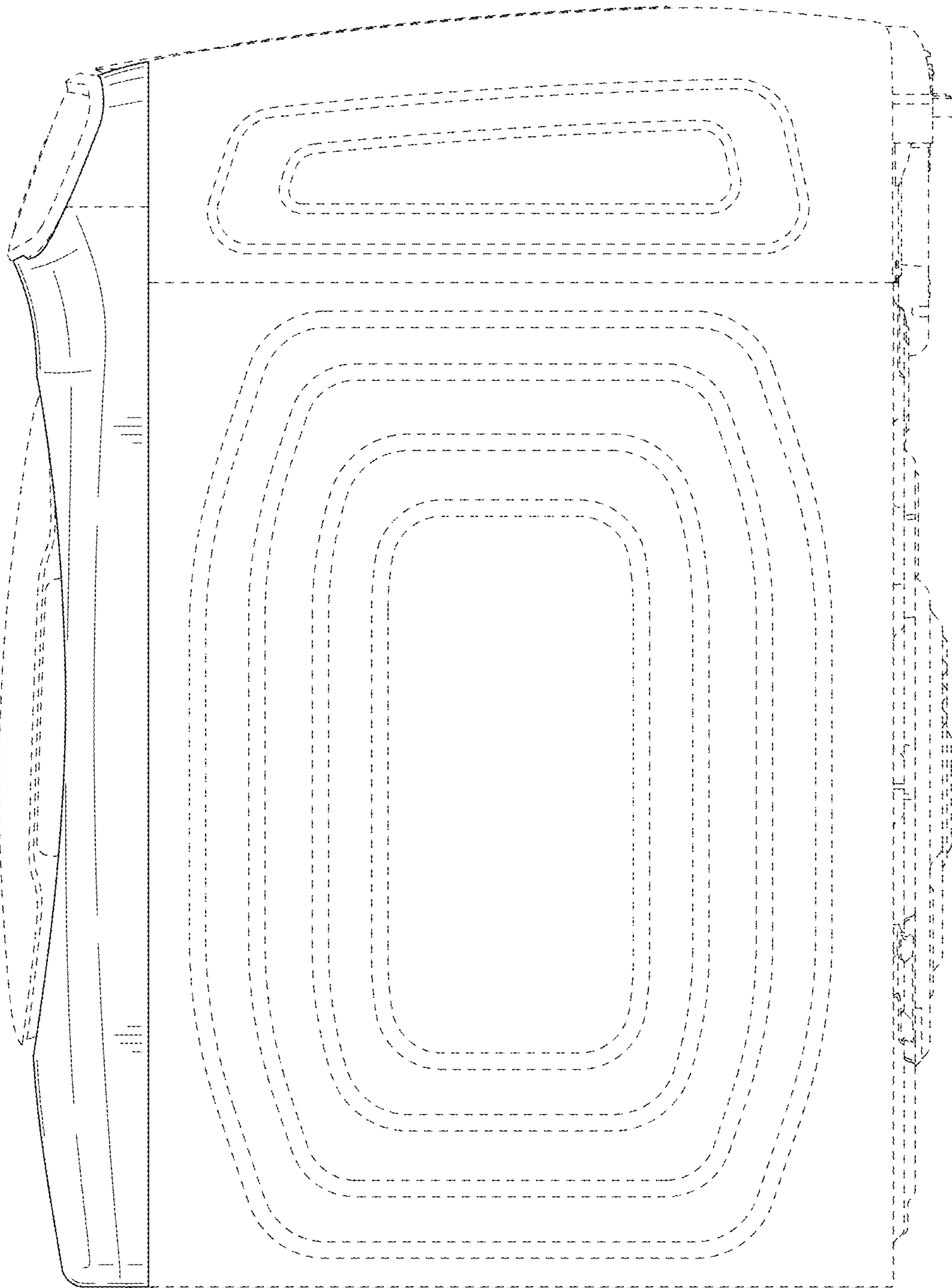


FIG. 6

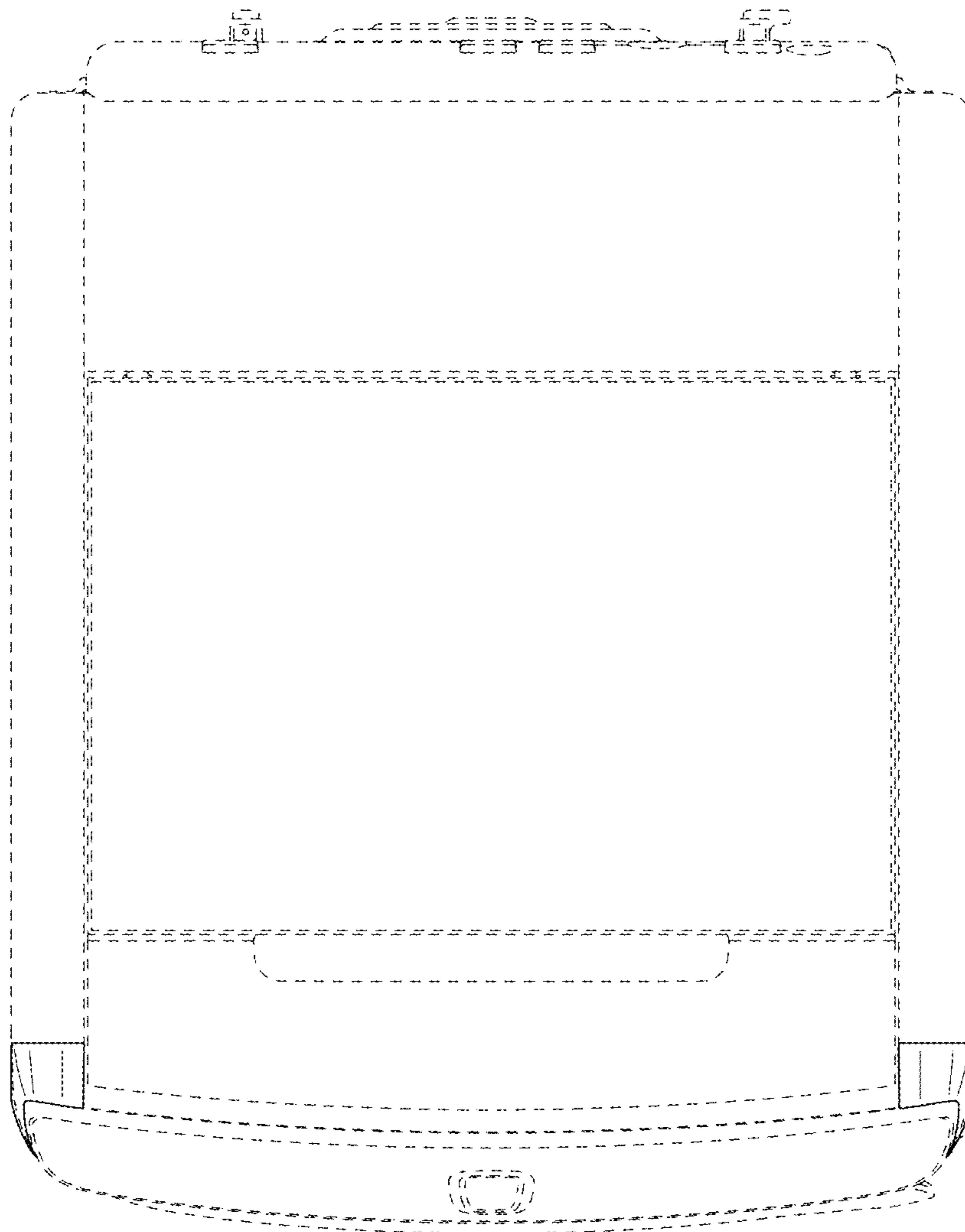


FIG. 7

