



US00D819280S

(12) **United States Design Patent** (10) **Patent No.:** **US D819,280 S**  
**Li** (45) **Date of Patent:** **\*\* May 29, 2018**

(54) **RECEIVER FOR DOG TRAINING COLLAR**

(71) Applicant: **Shenzhen Patpet Technology Co., Ltd., Beijing (CN)**

(72) Inventor: **Linxian Li, Shenzhen (CN)**

(73) Assignee: **Shenzhen Patpet Technology Co., Ltd., Beijing (CN)**

(\*\*) Term: **15 Years**

(21) Appl. No.: **29/582,166**

(22) Filed: **Oct. 25, 2016**

(51) **LOC (11) Cl.** ..... **30-99**

(52) **U.S. Cl.**  
USPC ..... **D30/199; D30/152**

(58) **Field of Classification Search**  
USPC ..... D30/144, 151, 152, 155, 199; D24/190;  
D2/627, 894; D29/100, 101.1, 101.2;  
D11/3; D8/300  
CPC ..... A01K 27/001; A01K 27/009  
See application file for complete search history.

(56) **References Cited**

**U.S. PATENT DOCUMENTS**

D298,872 S *	12/1988	Cassel	.....	D30/199
D336,055 S *	6/1993	Juliana	.....	D30/152
D380,692 S *	7/1997	Heun	.....	D30/152
D409,803 S *	5/1999	Yoka	.....	D30/152
D555,298 S *	11/2007	Garon	.....	D30/152
D657,098 S *	4/2012	So	.....	D30/155
D666,367 S *	8/2012	Miller	.....	D30/199
D683,915 S *	6/2013	So	.....	D30/152
2003/0116101 A1 *	6/2003	Kim	.....	A01K 15/021 119/720
2008/0074958 A1 *	3/2008	Moran	.....	G04B 37/1486 368/282

2011/0132275 A1 *	6/2011	Huo	.....	A01K 15/021 119/720
2013/0233252 A1 *	9/2013	Bellon	.....	A01K 15/021 119/720
2014/0331942 A1 *	11/2014	Sarazyn	.....	A01K 29/005 119/719

**OTHER PUBLICATIONS**

“SportDOG Brand SportHunter 1225”. Found online Dec. 8, 2016 at amazon.com. Page dated Apr. 9, 2011. Retrieved from [https://www.amazon.com/SportDOG-Brand-SD-1225-SportHunter-1225/dp/B003A1UGPK/ref=cm\\_cr\\_ar\\_p\\_d\\_product\\_top?ie=UTF8](https://www.amazon.com/SportDOG-Brand-SD-1225-SportHunter-1225/dp/B003A1UGPK/ref=cm_cr_ar_p_d_product_top?ie=UTF8).  
“Tracksafe Buddy—Pet GPS Tracker Smart Dog Collar”. Found online Sep. 7, 2017 at amazon.in. Page dated Nov. 24, 2015. Retrieved from [https://www.amazon.in/Tracksafe-Buddy-Tracker-Collar-Device/dp/B018I42YNA/ref=sr\\_1\\_50?ie=UTF8&qid=1504805832&sr=8-50&keywords=training+collar](https://www.amazon.in/Tracksafe-Buddy-Tracker-Collar-Device/dp/B018I42YNA/ref=sr_1_50?ie=UTF8&qid=1504805832&sr=8-50&keywords=training+collar).\*

(Continued)

*Primary Examiner* — George D. Kirschbaum  
*Assistant Examiner* — Kendra Leslie Hamilton  
(74) *Attorney, Agent, or Firm* — JiangIP LLC; Yanling Jiang

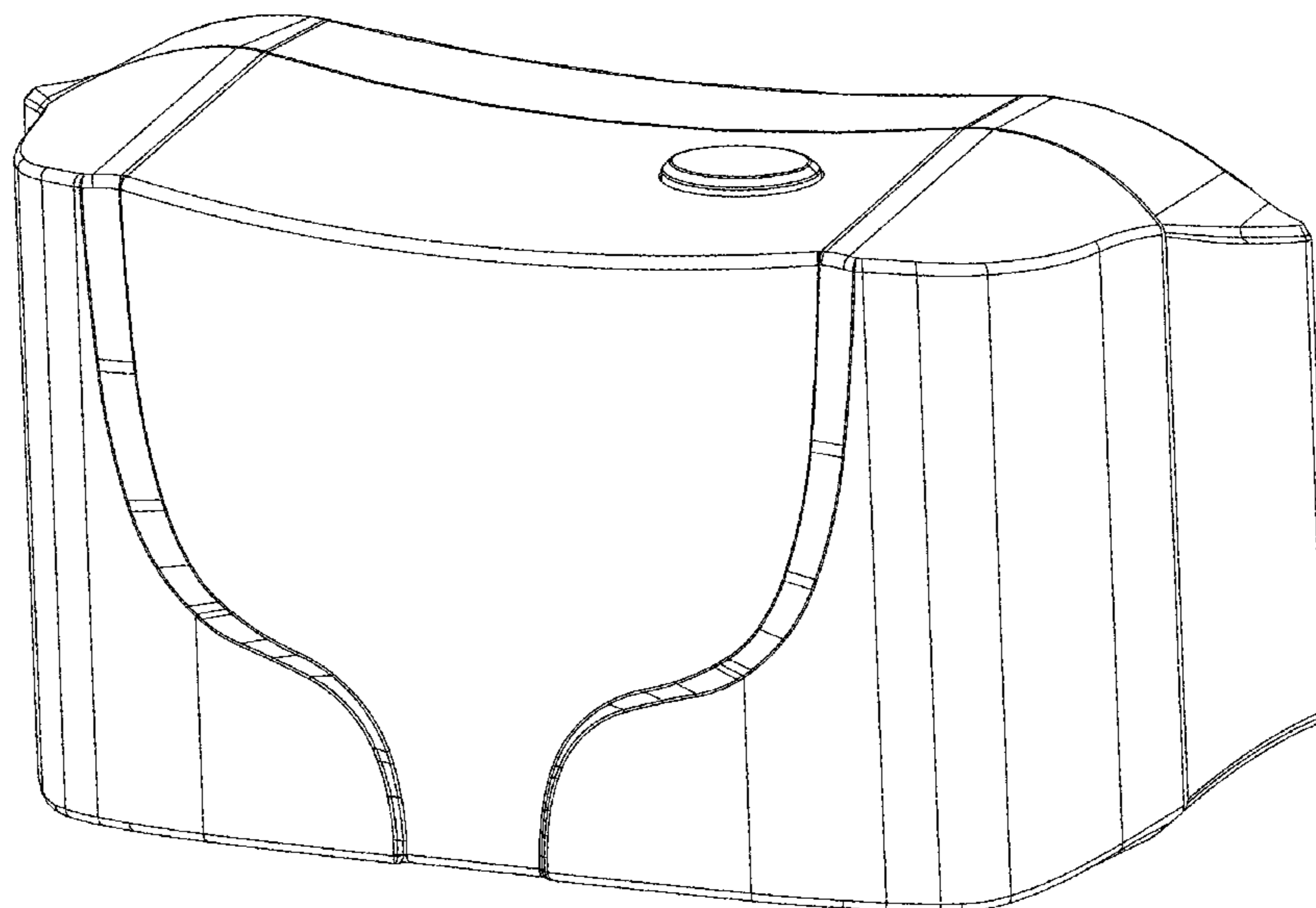
(57) **CLAIM**

The ornamental design for a receiver for dog training collar, as shown and described.

**DESCRIPTION**

FIG. 1 is a top front left perspective view of a receiver for dog training collar, showing my new design;  
FIG. 2 is a front elevational view thereof;  
FIG. 3 is a rear elevational view thereof;  
FIG. 4 is a top plan view thereof;  
FIG. 5 is a bottom plan view thereof;  
FIG. 6 is a right side elevational view thereof; and,  
FIG. 7 is a left side elevational view thereof.  
The broken lines showing portions of the article form no part of the claimed design.

**1 Claim, 7 Drawing Sheets**



(56)

**References Cited**

OTHER PUBLICATIONS

“Highly programmable GPS tracking collars”. Found online Dec. 11, 2016 at [telemetrysolutions.com](http://telemetrysolutions.com). Page dated May 31, 2013. Retrieved from <https://web.archive.org/web/20130531192148/http://www.telemetrysolutions.com/track-wildlife/gps-for-wolf-canis-lupis.php>.\*

“Garmin Delta Sport Dog Training Collar and Bark Limiter”. Found online Dec. 8, 2016 at [amazon.com](http://amazon.com). Page dated Jun. 12, 2013. Retrieved from [https://www.amazon.com/Garmin-Delta-Training-Collar-Limiter/dp/B00B20M8S4/ref=cm\\_cr\\_ar\\_p\\_d\\_product\\_top?ie=UTF8](https://www.amazon.com/Garmin-Delta-Training-Collar-Limiter/dp/B00B20M8S4/ref=cm_cr_ar_p_d_product_top?ie=UTF8).\*

\* cited by examiner

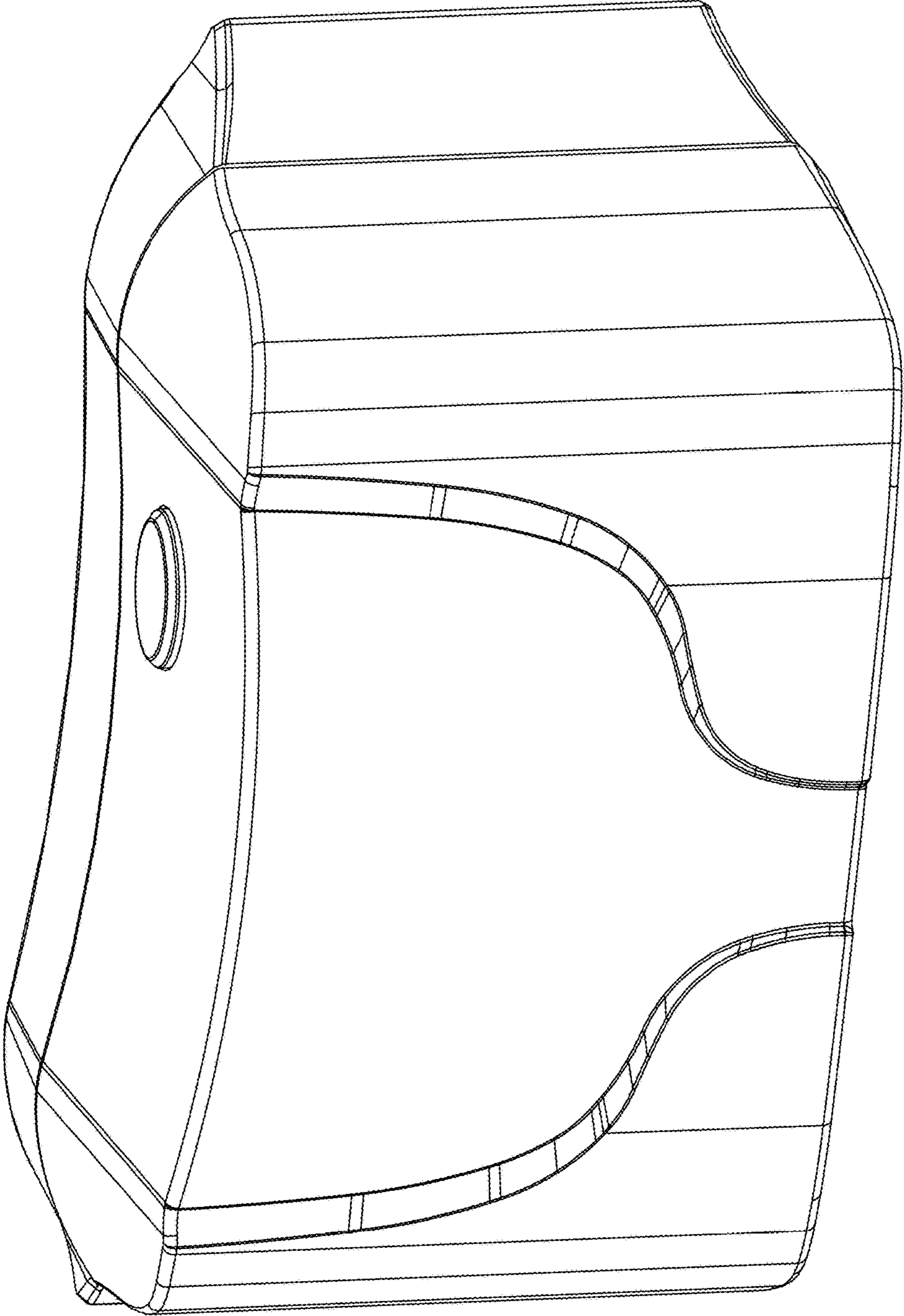


Fig. 1

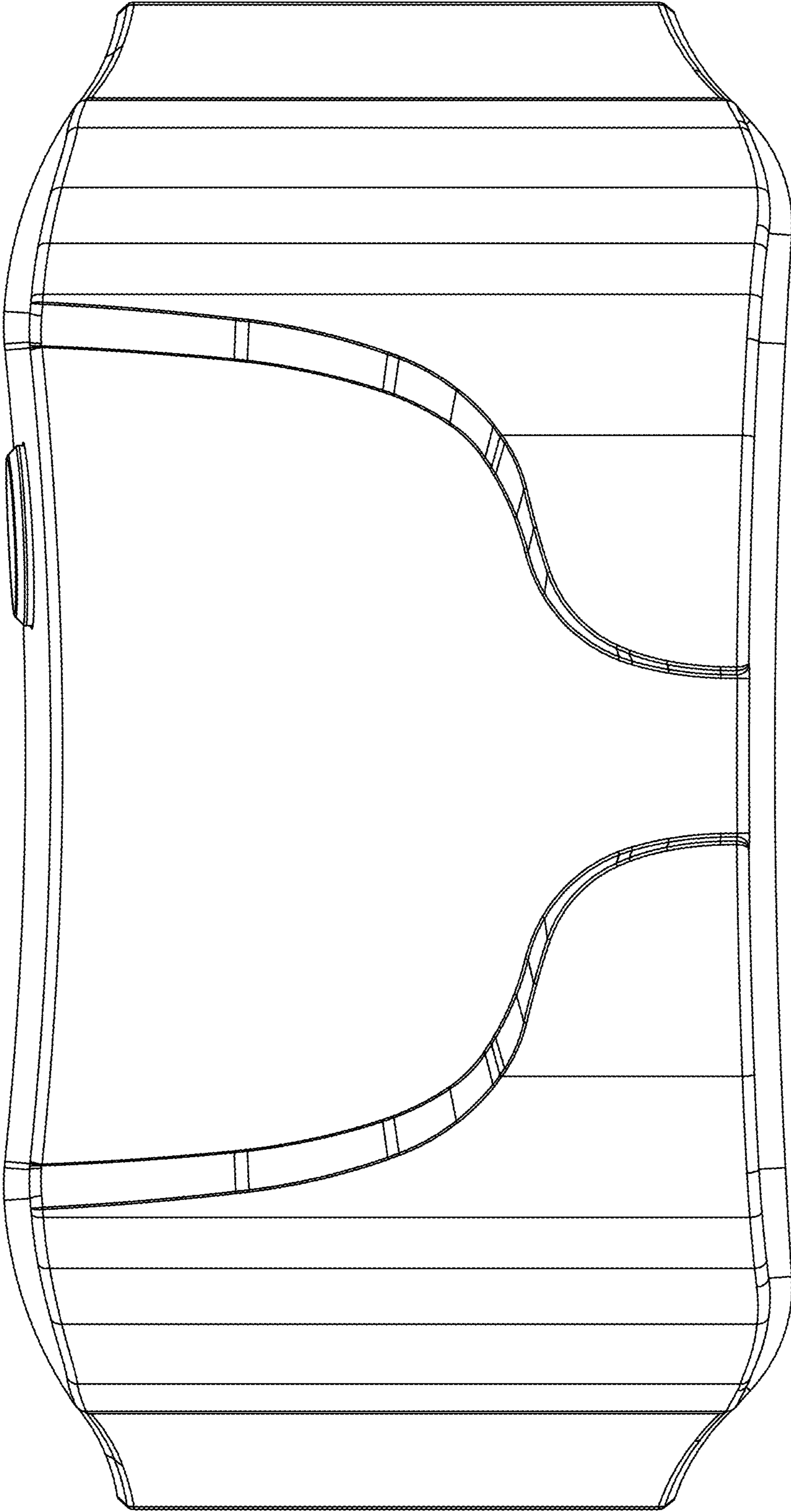


Fig. 2

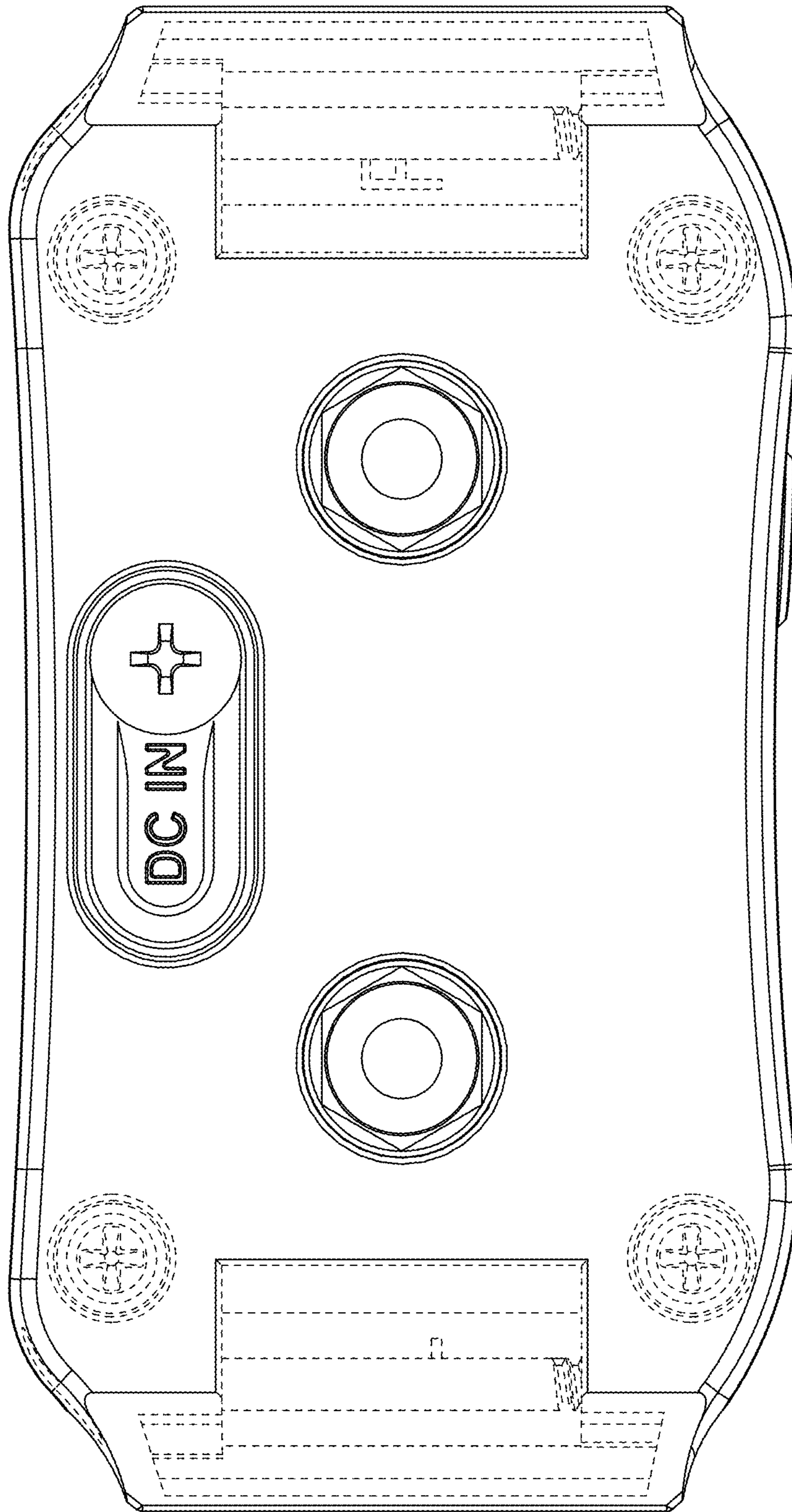


Fig. 3

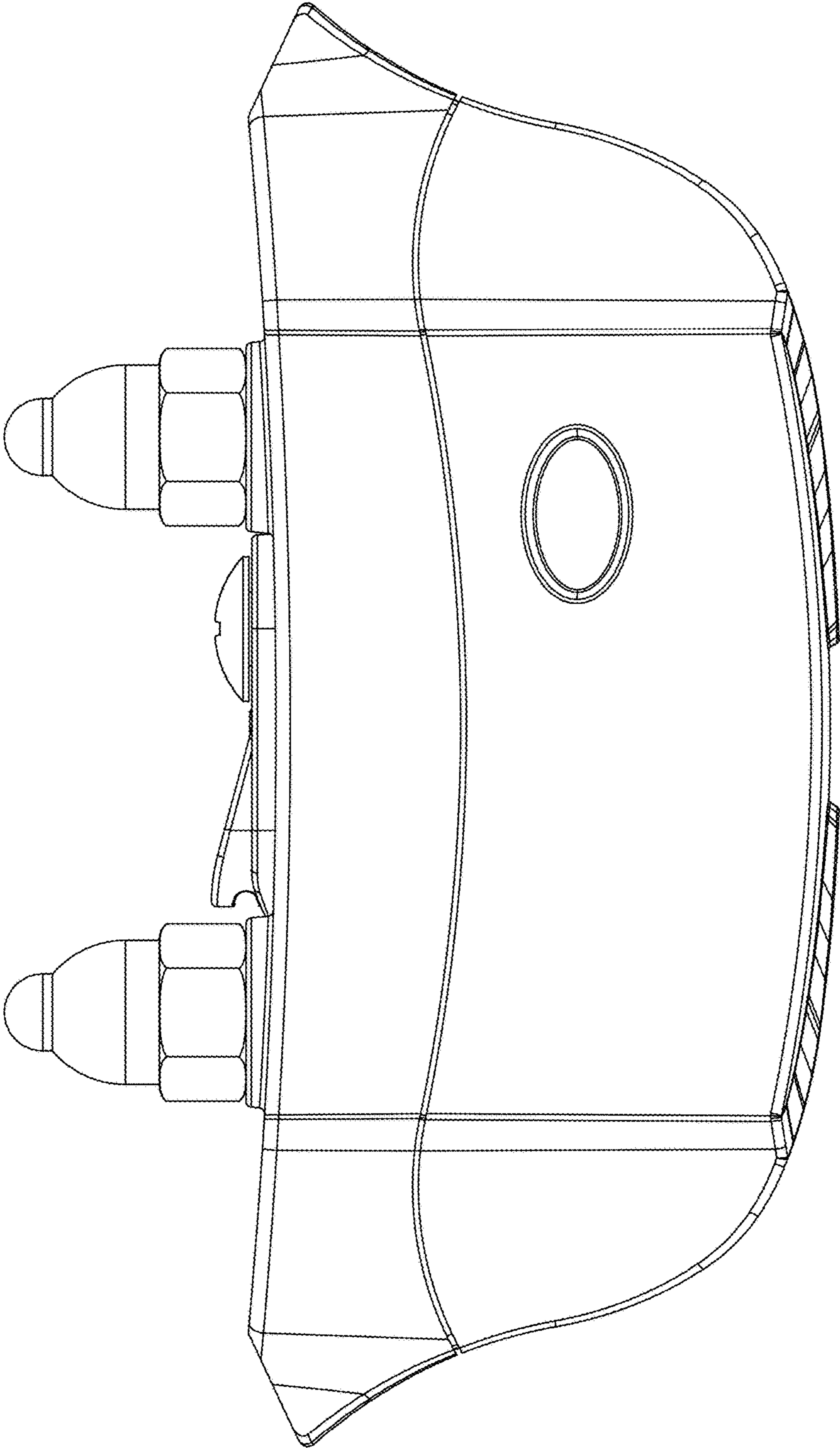


Fig. 4

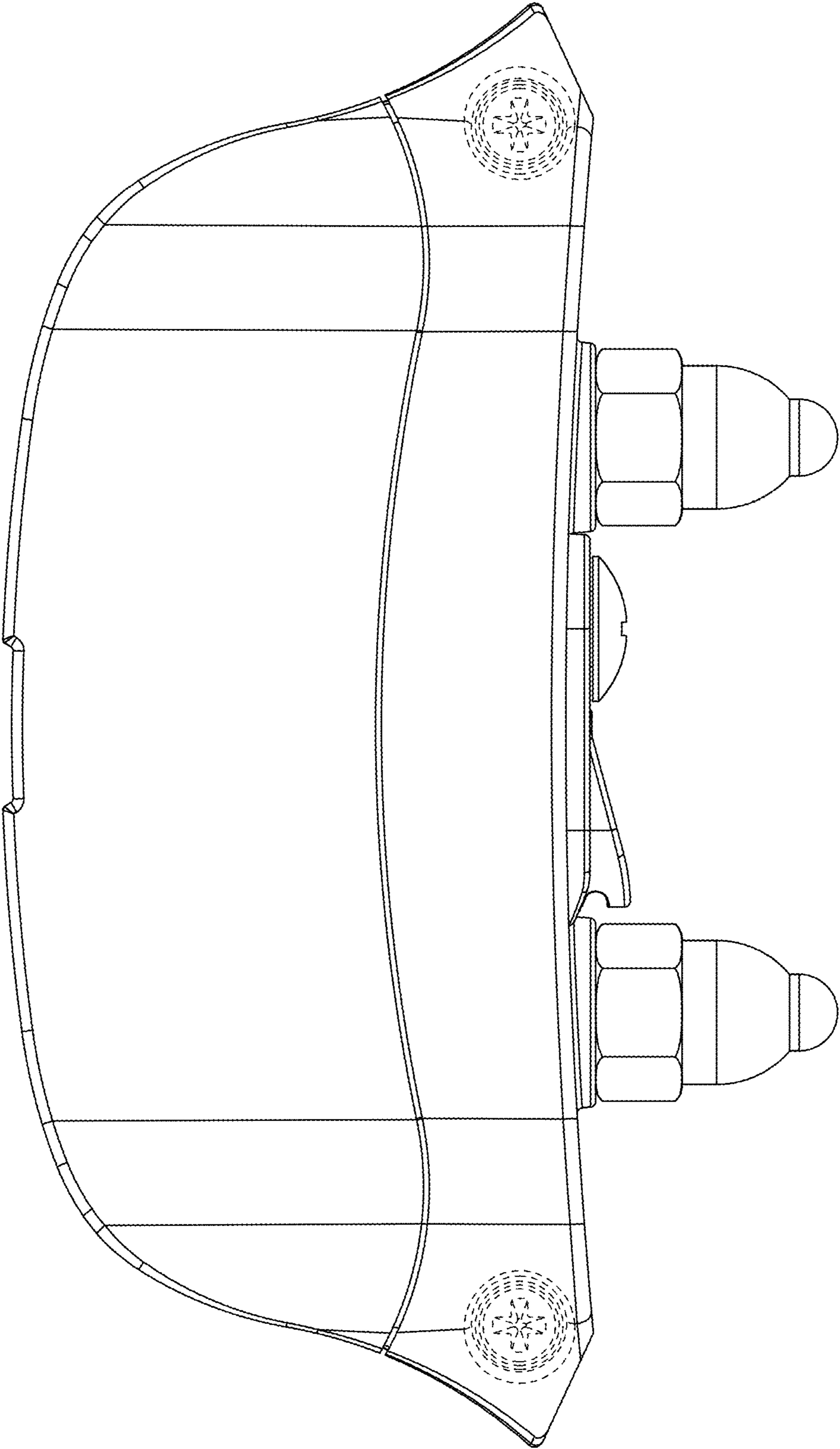


Fig. 5

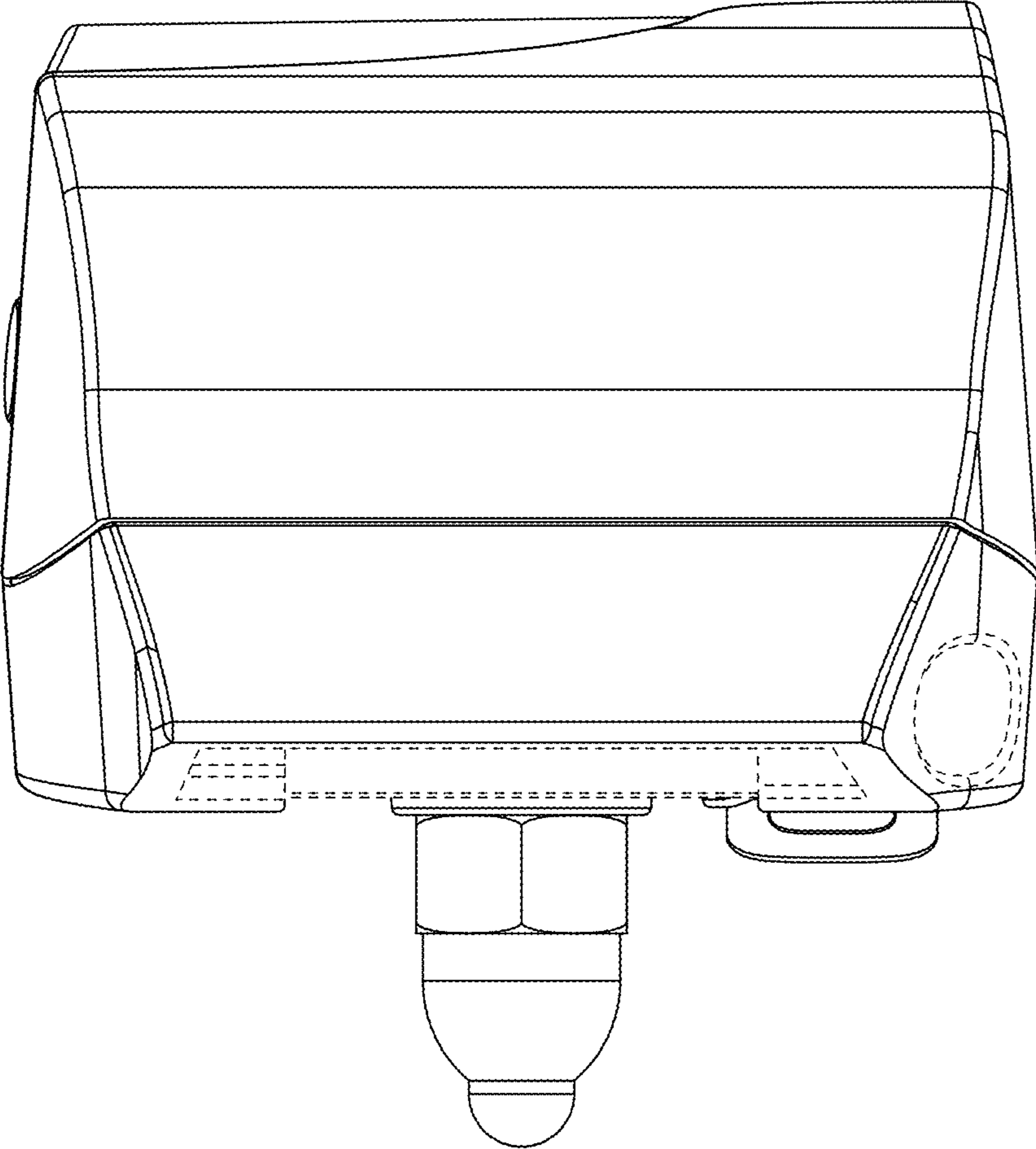


Fig. 6



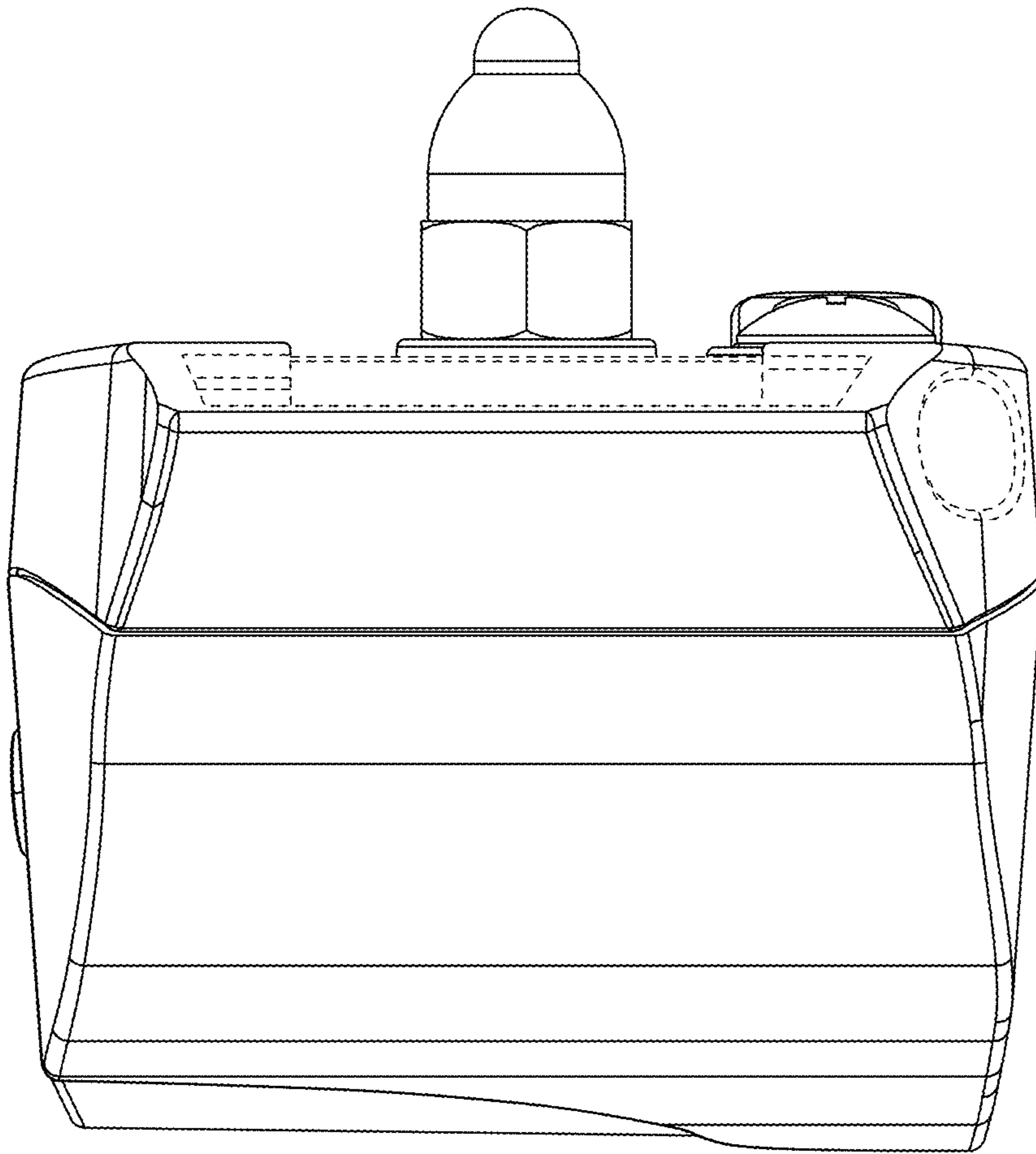


Fig. 7